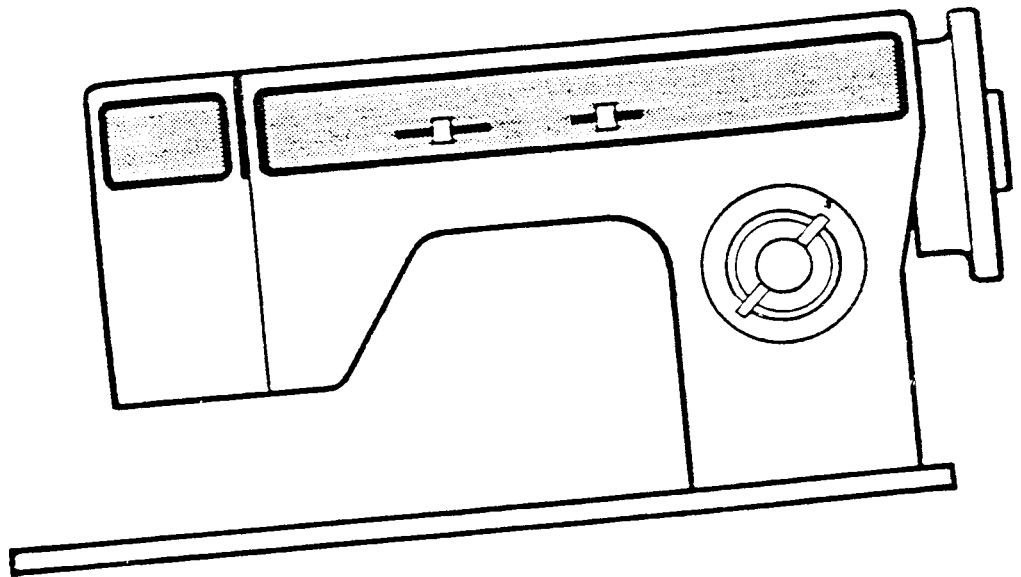


SINGER

1247N/1263N/1280N/1288N

LIST OF PARTS

Models 1247N, 1263N, 1280N, 1288N
HOUSEHOLD SEWING MACHINES



By **SINGER**

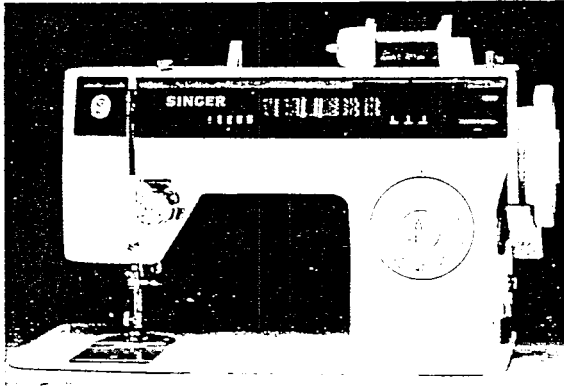
TABLE OF TERRITORIES

- A - (105/115 V. - 220/240 V.)		- B - (220 V.)	- H - (120 V. + 220 V.)	- J - (127/220 V.)
Aden	Malagasy Rep.	South Africa	Argentina	Belgium Bi-Volt.
Algeria	Malawi		Bahamas	W. Germany Bi-Volt.
Angola	Malaysia		Barbados	- K - (240 V.)
Bahrain	Mali	- C - (220 or 240 V.)	Bermuda	<u>Australia</u>
Bangladesh	Mauritania	New Zealand	Bolivia	- L - (220 V.)
Benin (Dahomey)	Mauritius		Brazil	<u>Norway</u>
Burma	Morocco	- D - (240 V.)	British Honduras	- M - (105 V.)
Burundi	Mozambique		Canal Zone	<u>Japan</u>
Cambodia	Niger Repub.		Chile	- N - (127/220 V.)
Cameroon	Nigeria	Great Britain	Colombia	France Bi-Volt.
Cent. Africa Empire	North Yemen	(England, Scotland,	Costa Rica	Non mandatory
Chad	Pakistan	Wales).	Ecuador	countries Bi-Volt.
Congo (Brazzaville)	Rhodesia	Malta	El Salvador	- O -
Egyptian Arab	Saudi Arabia		French West Indies	Canada (I)
Republic	Senegal	- E - (220 V.)	Guatemala	
Ethiopia	Sierra Leone		Honduras Republic	- P - (220 V.)
Fiji Islands	Singapore	Netherlands	Jamaica	
Gabon	South Korea		Mexico	
Gambia	South Yemen	- F - (220 V.)	Neth. Antilles	
Ghana	Sri Lanka		Nicaragua	Albania
Guam	Sudan	Austria	Panama	France
Guinea	Syria	Belgium	Paraguay	Gibraltar
Guyana	Taiwan	Denmark	Peru	Iceland
High Volta	Tangiers	Finland	Philippines	Israel
Hong Kong	Tanzania	Greece	Puerto Rico	Jugoslavia
India	Thailand	Italy	Surinam	Luxembourg
Indonesia	Togo	Switzerland	Trinidad & Tobago	Monaco
Iran	Tunisia	W. Germany (+ 120 V.)	Venezuela	Portugal
Iraq	Uganda		Virgin Islands	Spain
Ivory Coast	Upper Volta	- G - (120 V.)	West Indies	Turkey
Jordan	Vietnam	(I)	(Antigua, Dominica,	- Q - (240 V.)
Kenya	Zaire (Kinshasa)	United States	Grenada, Montserrat,	<u>Cyprus</u>
Kuwait	Zambia		St. Christopher, Nevis,	- R - (220 V.)
Laos			Anguilla, St. Lucia,	<u>Sweden</u>
La Reunion			St. Vincent, St. Kitts).	- S - (220 V.)
Lebanon				Eire
Liberia				
Libya				

Copyright © 1982 THE SINGER COMPANY
All Rights Reserved Throughout the World

*A Trademark of THE SINGER COMPANY

MORE BENEFITS FROM THE FASHION MATE DELUXE MACHINE— MODEL 1280



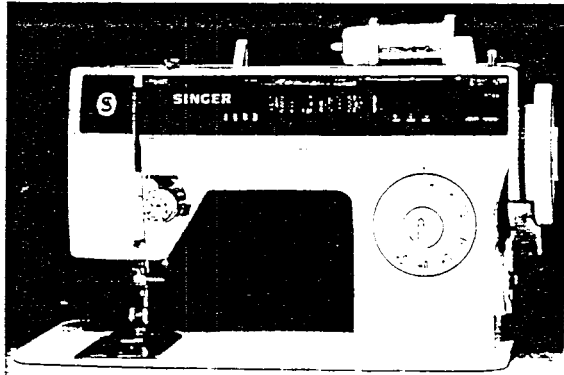
- **QUIET FULL ROTARY MOVEMENT—**
Reduces wear on the machine parts and makes sewing more pleasant.
- **STRAIGHT STRETCH STITCH—**
Lets you sew knit and stretch seams without popping seams.
- **ONE-WAY NEEDLE INSERTION—**
Eliminates any possibility of inserting the needle backwards.
- **3 NEEDLE POSITIONS—**
Left, center, and right. Allows you to change stitching positions at the touch of a lever to sew along edges.
- **5MM-WIDE ZIGZAG STITCH (3/16")—**
Gives you wide bight for zigzag and decorative stitches.
- **SNAP-ON PRESSER FEET—**
Snap on and off to save time when switching from one to the other.
- **QUICK-RELEASE NEEDLE PLATE—**
Simply lift and remove. Makes it easy to change plates for special types of sewing.
- **NEEDLE-PLATE GUIDELINES—**
Give you eye-saving guides for making perfect, straight seams.
- **STITCH LENGTH CONTROL DIAL—**
Makes it easy to change the setting for stitch length.
- **AUTOMATIC BOBBIN-WINDER STOP—**
Makes it impossible to overfill the bobbin.
- **TWIN-NEEDLE STITCHING—**
Lets you sew two parallel lines of straight or decorative stitching. Especially useful for decorative topstitching.

SINGER

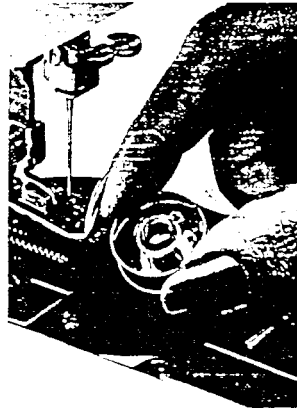
Printed in U.S.A.

Part No. 61-505255-200

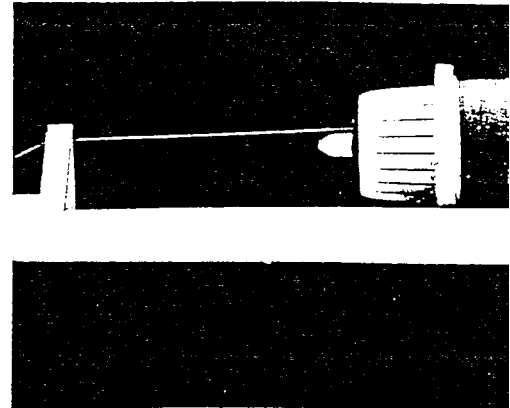
THE FASHION MATE DELUXE MACHINE MODEL 1280 BY SINGER



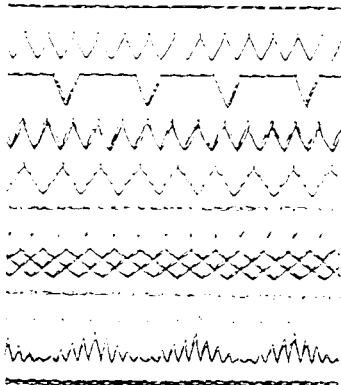
Never before has Singer offered you so many stitches in a machine like the Fashion Mate* machine model 1280—at such a reasonable price. For example...



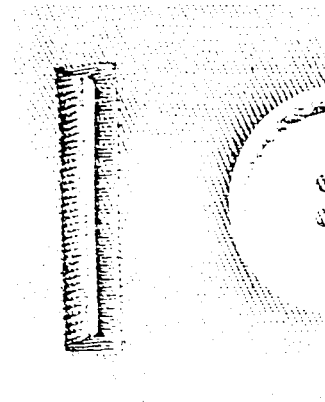
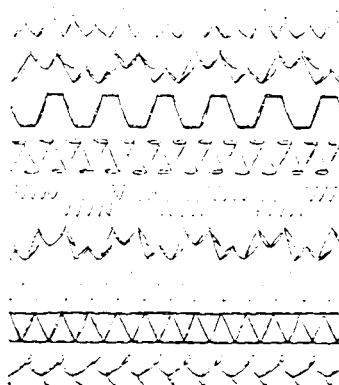
The bobbin removes without fuss.



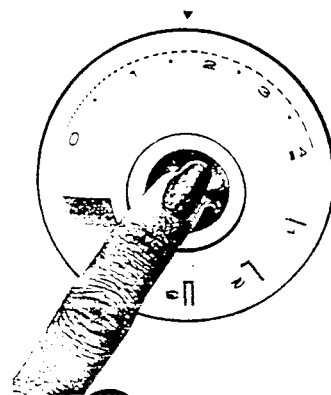
Horizontal thread delivery improves quality of stitching.



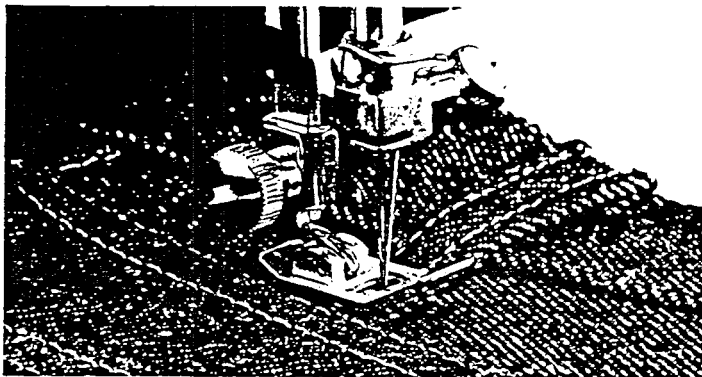
19 stitches—everything from construction to functional stretch to decorative.



Built-in buttonholer makes perfect buttonholes.



Push-button reverse control lets you set machine in reverse quickly and easily.

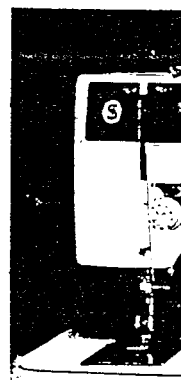


Machine adjusts automatically to various fabric thicknesses.

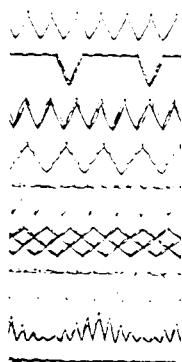
SINGER

All on this new Singer sewing machine. See your Singer dealer—today.
*A Trademark of The Singer Company.
© 1984 The Singer Company.

THE MA BY S



Never before has
in a machine like
1280—at s'



19 stitches—ever
stretch to decora

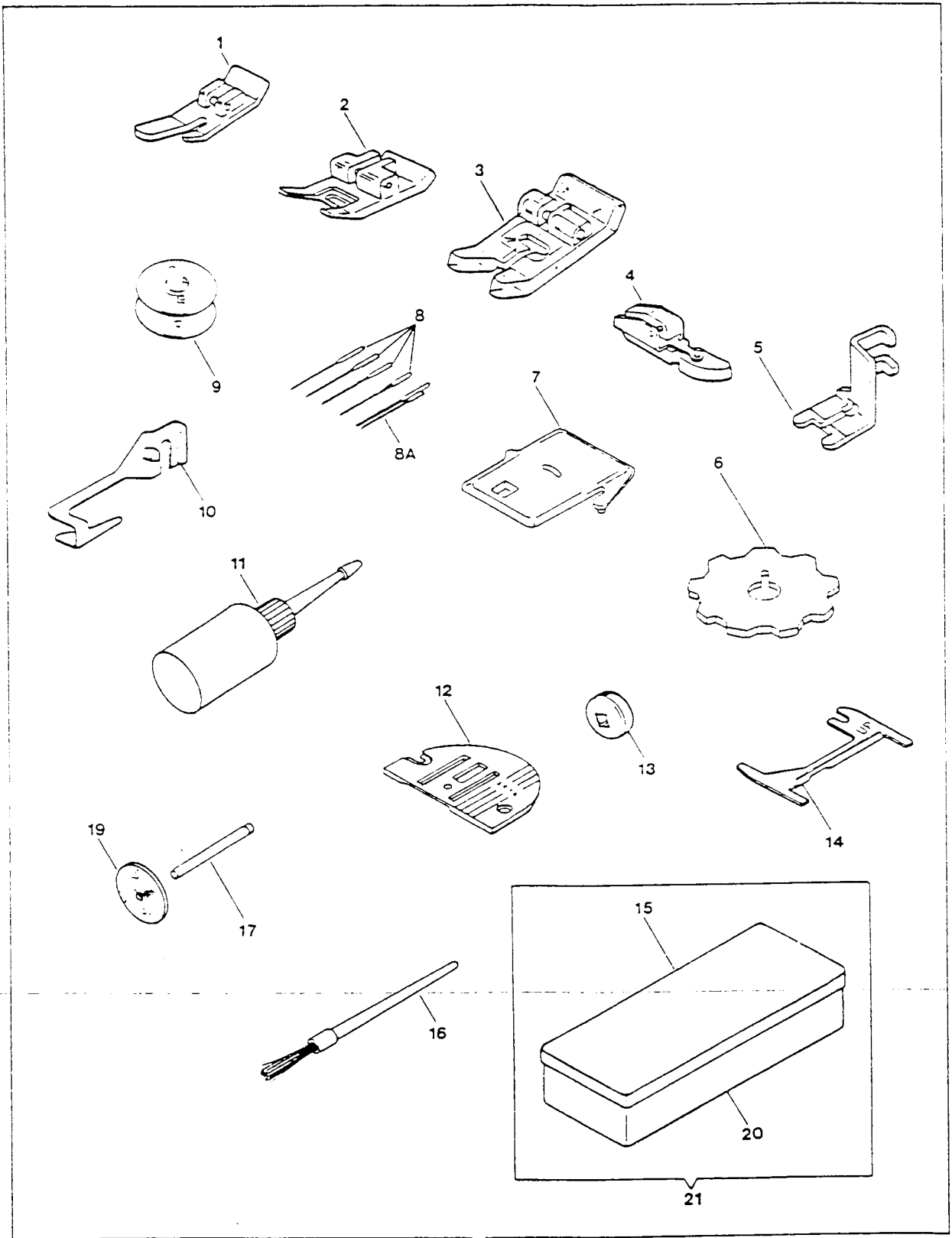


Machine adjusts

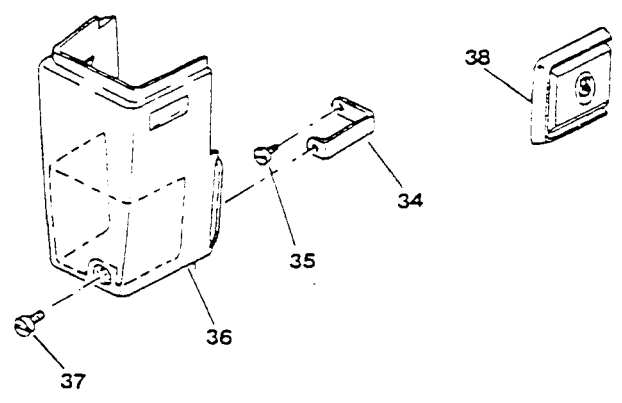
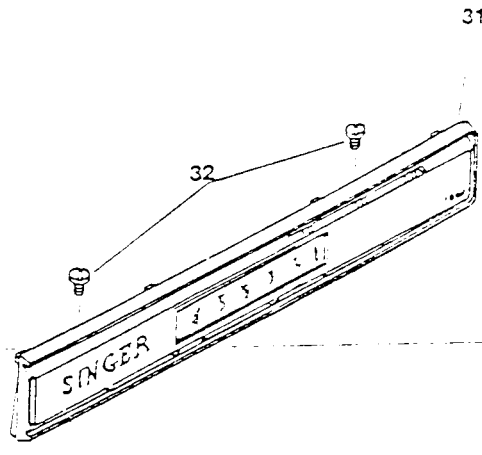
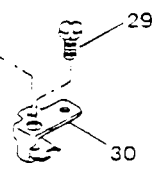
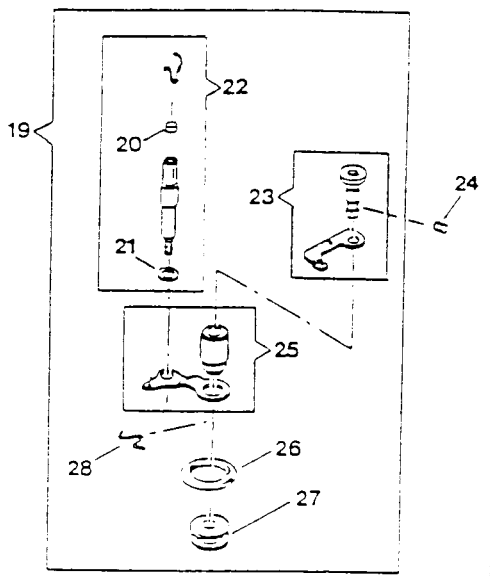
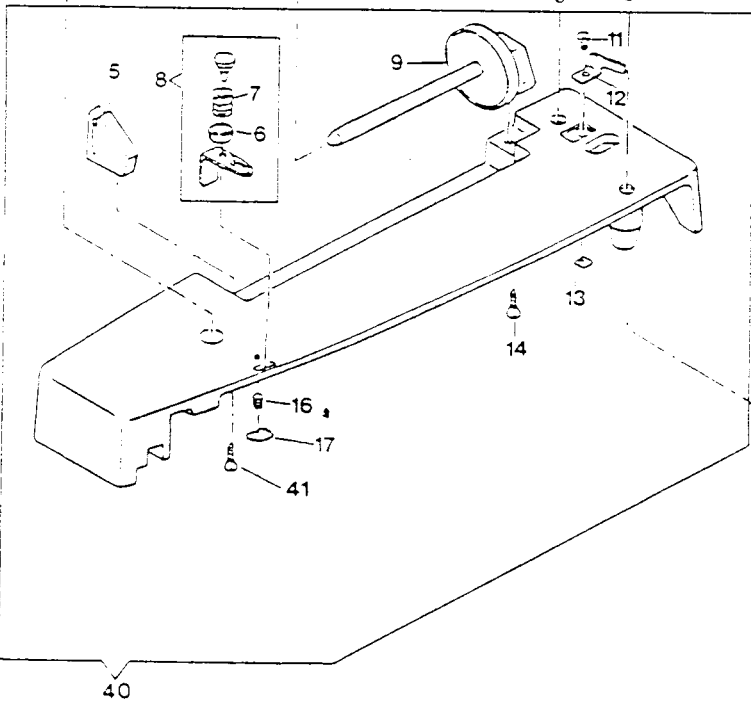
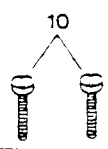
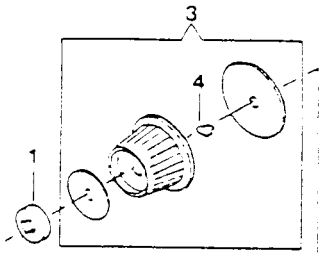
INDEX

PAGE	DESCRIPTION
1,2	ATTACHMENT SET
3-8	COVERS AND ADD ONS
9,10	BED COVER/OPTIONS & MISCELLANEOUS
11,12	ROTATING HOOK, THROAT AND BED SLIDES
13,14	THREAD TENSION
15,16	ARMSHAFT DRIVE & HANDWHEEL
17,18	NEEDLE BAR
19,20	THREAD TAKE UP & PRESSURE BAR
21,22	FEED SYSTEM
23,24	NEEDLE POSITION
25,26	STITCH WIDTH (BIGHT)
27,28	PATTERN SELECTOR & INDICATOR
29,30	FEED REGULATOR & BUTTONHOLER
31,32	CAM STACK
33,34	CAM CONTROLLED FEED
35,36	ELECTRICS

ATTACHMENT SET

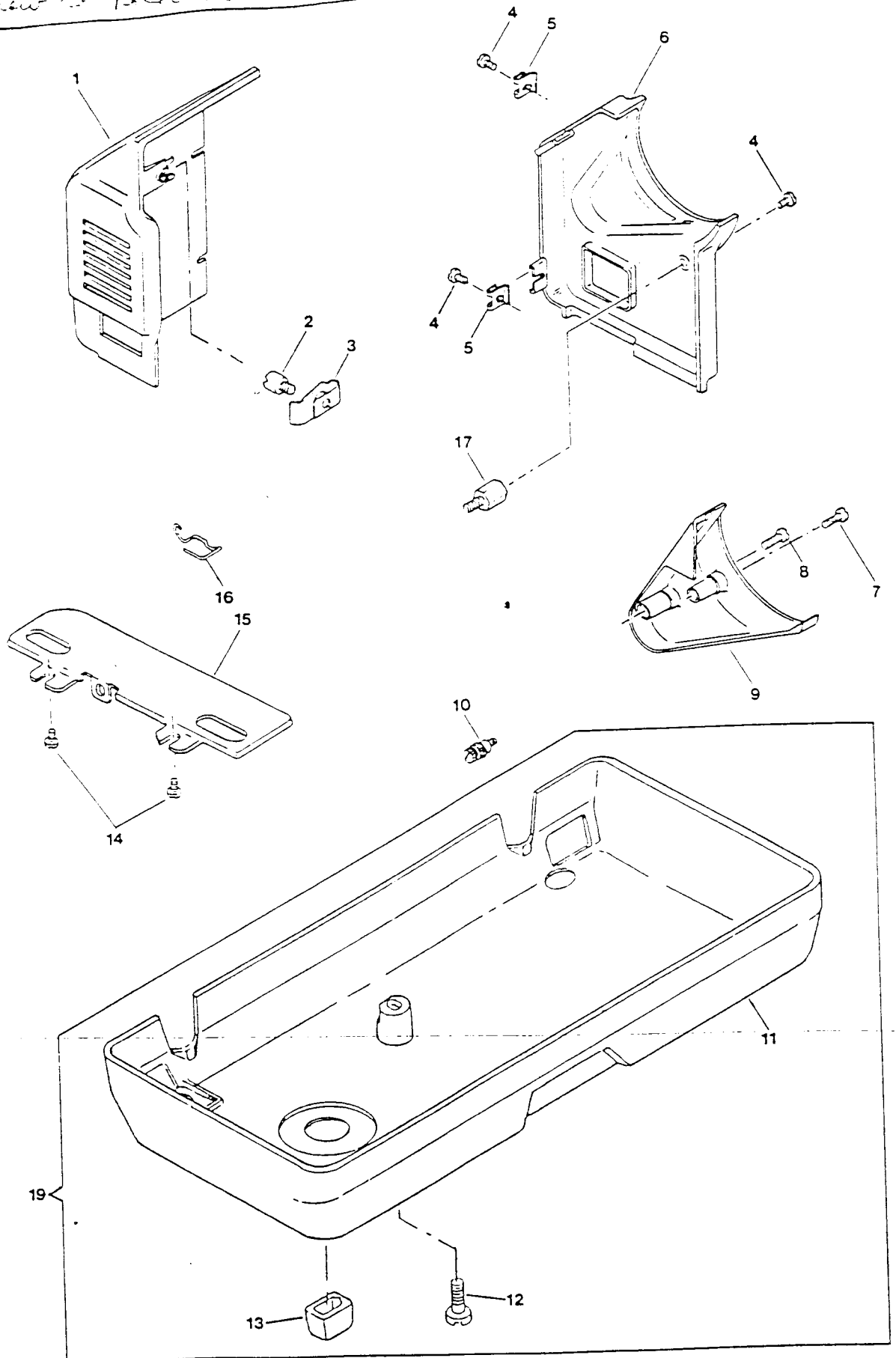


COVERS AND ADD ONS



BED COVER/OPTIONS & MISCELLANEOUS

Let screw to fold 1263 to cabinet 141925-633



BED COVER/OPTIONS & MISCELLANEOUS

11111111

12121212

14161818

17131018

11111111

11111111

11111111

11111111

11111111

11111111

11111111

11111111

11111111

11111111

11111111

11111111

11111111

11111111

11111111

11111111

11111111

11111111

11111111

11111111

11111111

11111111

11111111

11111111

11111111

11111111

11111111

11111111

11111111

11111111

11111111

11111111

11111111

11111111

11111111

11111111

11111111

11111111

11111111

11111111

11111111

11111111

11111111

11111111

11111111

11111111

11111111

11111111

11111111

11111111

11111111

11111111

11111111

11111111

11111111

11111111

11111111

11111111

11111111

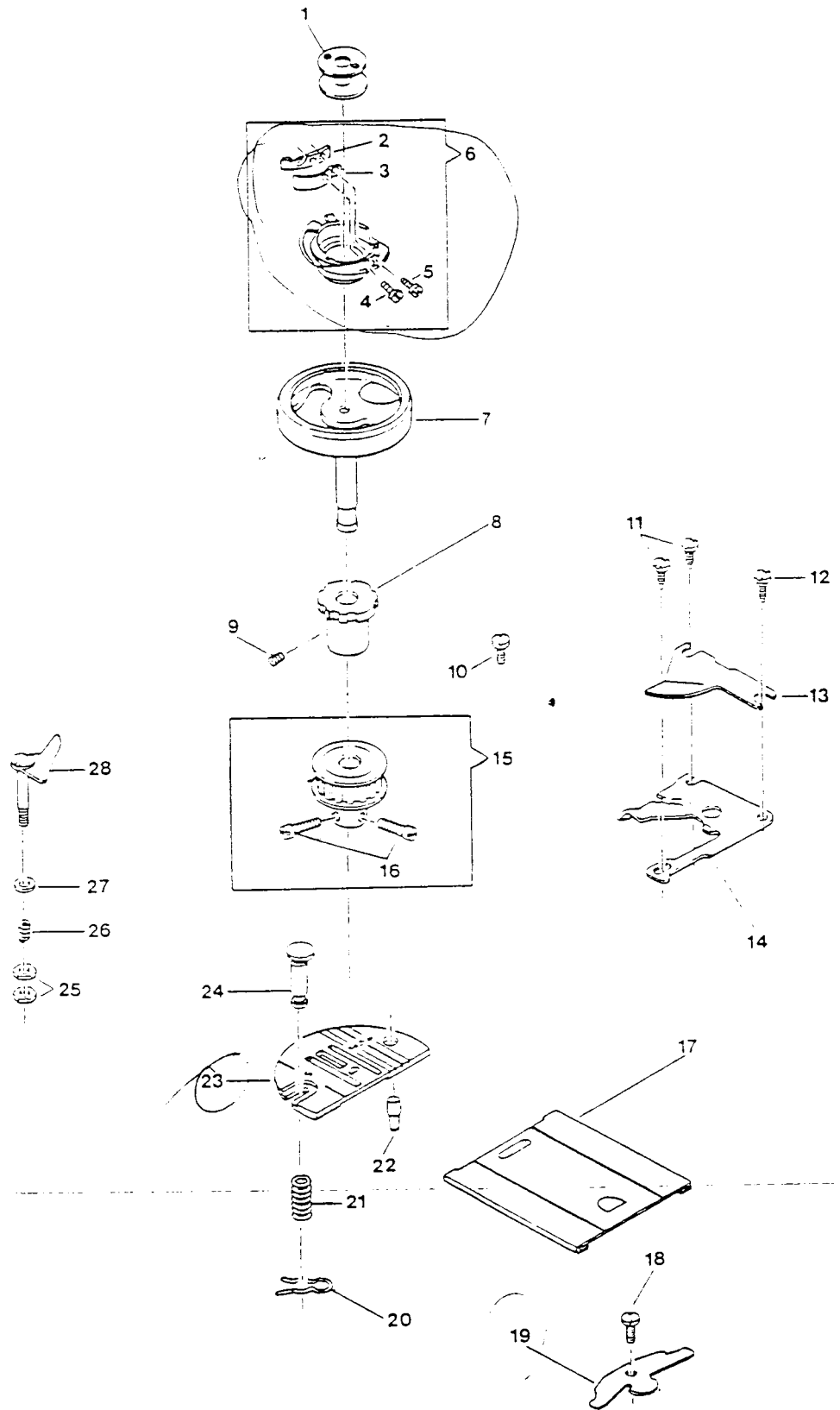
11111111

PART NO.	DESCRIPTION								
446070-451	MOTOR SHROUD (PLASTIC)								
2 354937-451	MOTOR SHROUD MOUNTING STUD								
3 446200	MOTOR SHROUD MOUNTING SPRING								
4 354969-451	BELT COVER MOUNTING SCREW								
	354969-451	MOTOR SHROUD SCREW (2)							
5 148881	MOTOR SHROUD SCREW NUT (2)								
6 446068-451	BELT COVER (PLASTIC)								
7 354805-451	MOTOR BELT COVER SCREW (UPPER)								
8 354792-451	MOTOR BELT COVER SCREW (LOWER)								
9 445736-452	MOTOR BELT COVER (PLASTIC)								
10 354405-451	THUMB SCREW (SLOTTED) (METRIC)								
11 446015	BED COVER (BOTTOM, PLASTIC)								
12 354833-451	BED COVER (BOTTOM) SCREW								
13 446154-451	BED LEG CUSHION (4)								
14 354552-451	BED EXTENSION PLATE SCREW (2)								
	354766-451	BED EXTENSION PLATE SCREW, ALTERNATE TO 354552-451 FOR QUERETARO (2)							
15 445069-463	BED EXTENSION PLATE								
16 116863	FINGER GUARD								
	353109	FINGER GUARD (ALTERNATE TO NO. 116863)							
17 354938-451	MOTOR MOUNTING SCREW & BELT COVER MOUNTING STUD								
19 446016	BED COVER KIT								

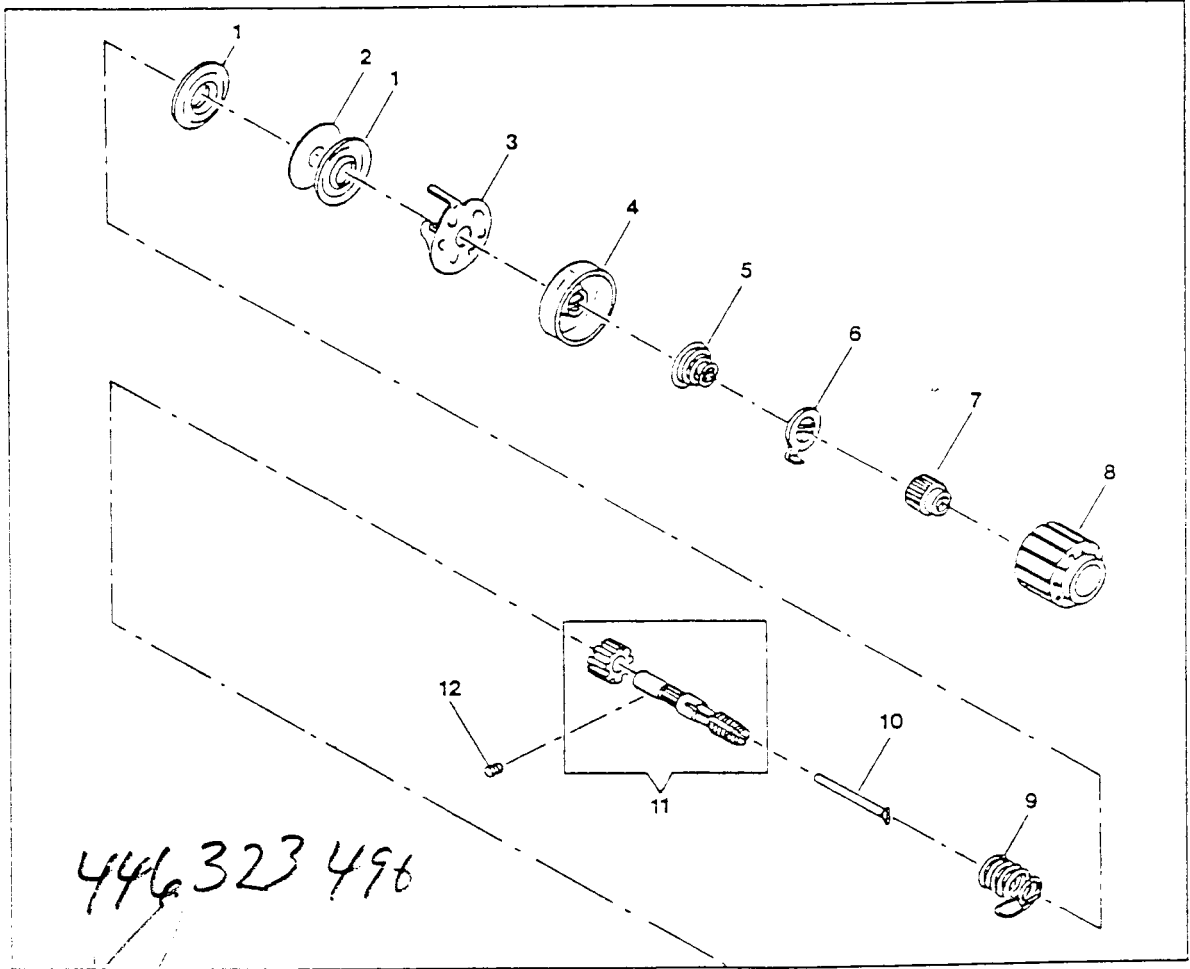
353216 FINGER GUARD ASSEMBLY 176 N-R-506 AC

446070 FINGER GUARD PLATE ASSEMBLY

ROTATING HOOK, THROAT AND BED SLIDE

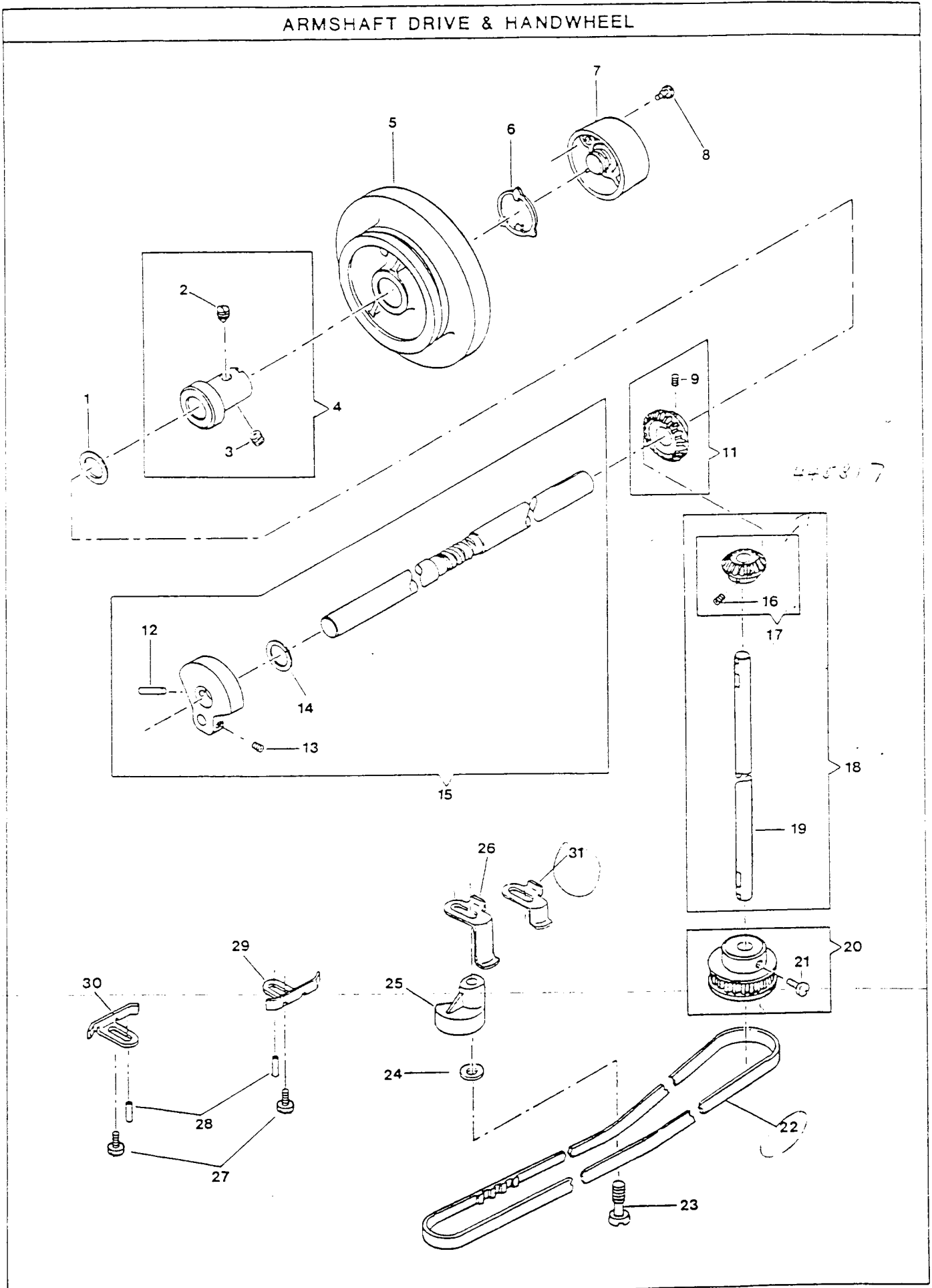


THREAD TENSION

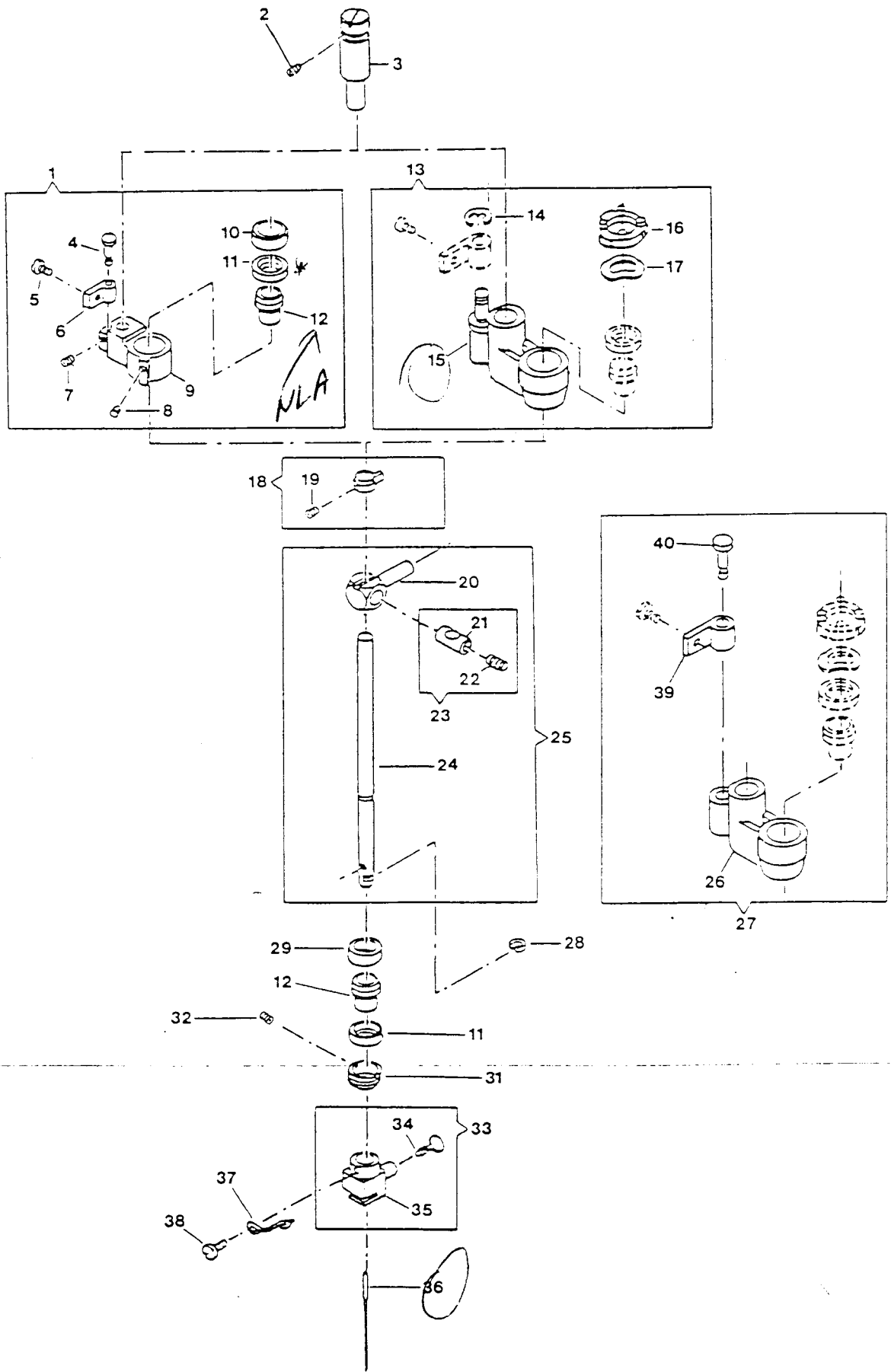


446 323 496

ARMSHAFT DRIVE & HANDWHEEL



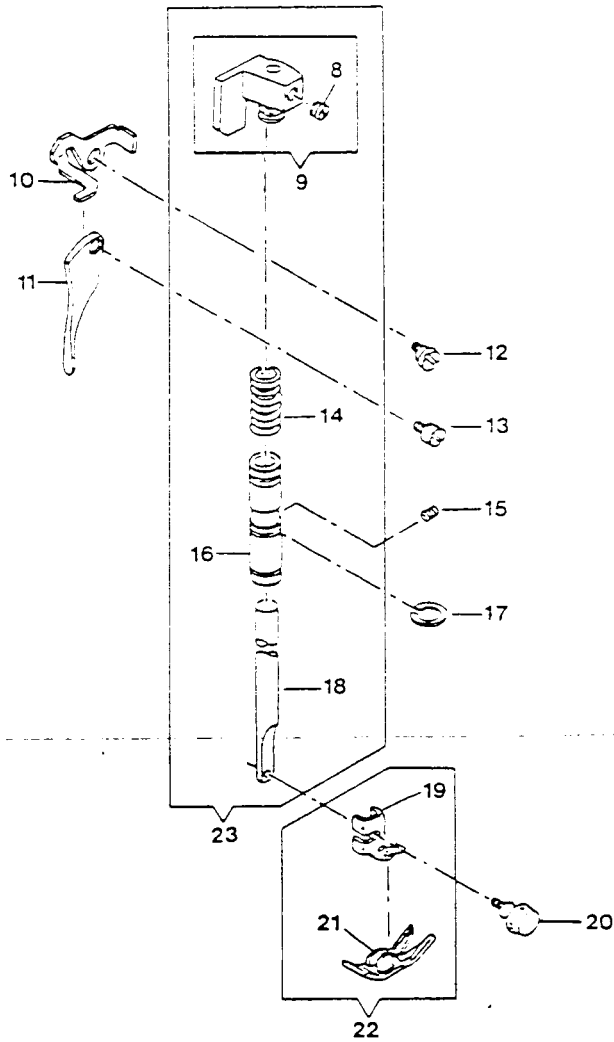
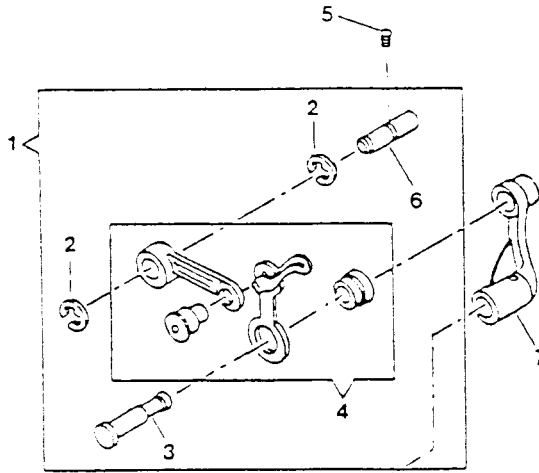
NEEDLE BAR



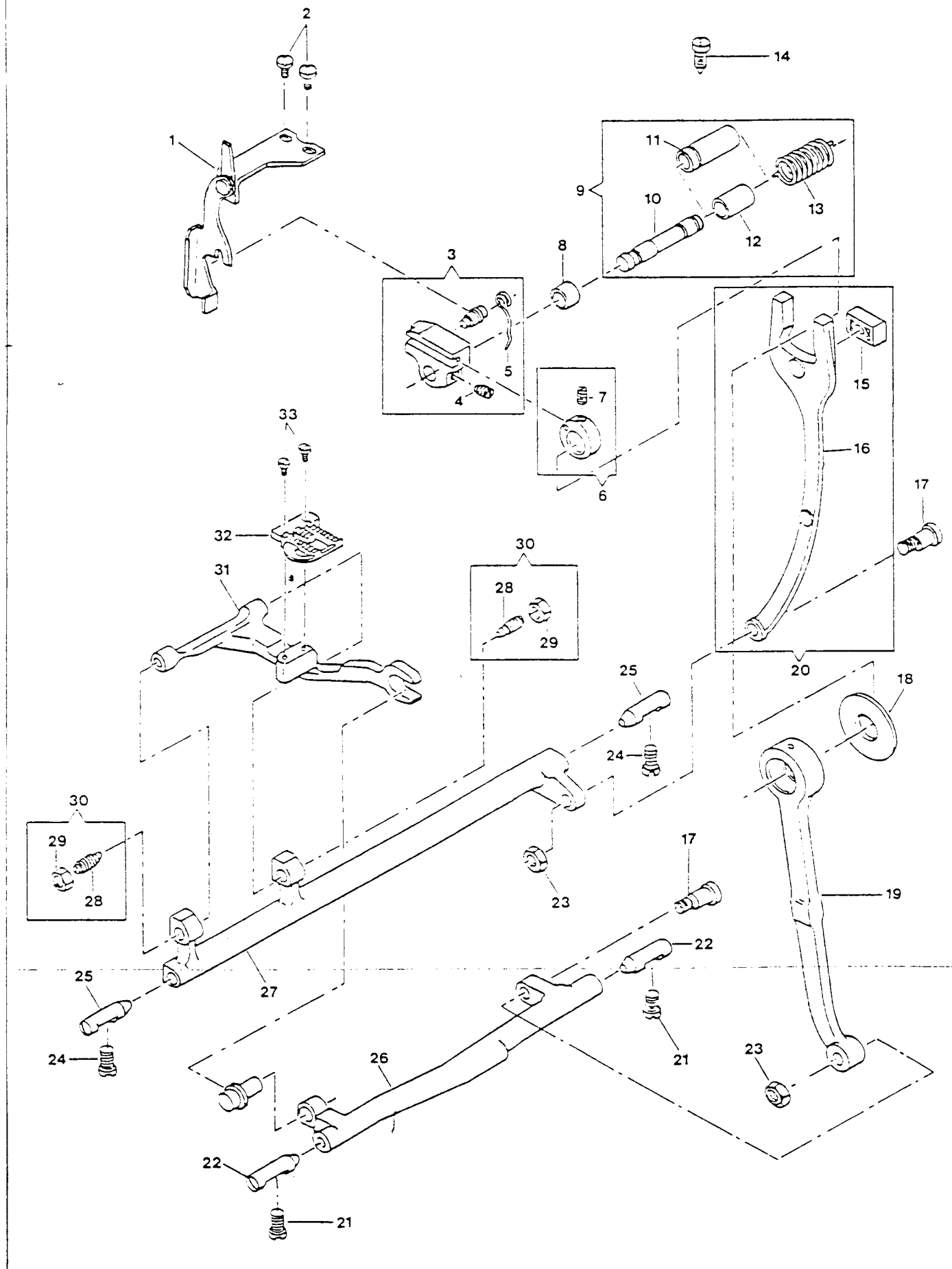
NEEDLE BAR

PART NO.	DESCRIPTION	
37945	NEEDLE BAR VIBRATING BRACKET (NLA)	X X X X X
2 354813-451	NEEDLE BAR VIBRATING BRACKET HINGE PIN (ECCENTRIC) SET SCREW	X X X X X
141918-833	NEEDLE BAR VIB. BRACKET HINGE PIN (ECC.) SET SCREW (ALT. TO NO. 354813-451, FOR QUERETARO)	X X X X X
3 445124	NEEDLE BAR VIBRATING BRACKET HINGE PIN (ECCENTRIC)	X X X X X
4 37935	NEEDLE BAR DRIVING ARM HINGE BRACKET HINGE PIN	X X X X X
5 141844-819	NEEDLE BAR DRIVING ARM HINGE BRACKET SCREW	X X X X X
6 37934	NEEDLE BAR DRIVING ARM HINGE BRACKET	X X X X X
7 141940-833	NEEDLE BAR DRIVING ARM HINGE BRACKET HINGE PIN SET SCREW	X X X X X
141913-833	N. B. DR. ARM HINGE BCKT HINGE PIN SET SCREW. ALT. TO 141940-833 ON 1280/1276R FOR QUERET.	X X X X X
8 141803-830	NEEDLE BAR BALL BUSHING (UPPER) ADJUSTING COLLAR SET SCREW	X X X X X
9 37944	NEEDLE BAR VIBRATING BRACKET	X X X X X
10 37928	NEEDLE BAR BALL BUSHING (UPPER) ADJUSTING COLLAR	X X X X X
11 507379-001	NEEDLE BAR BALL BUSHING (UPPER & LOWER) SOCKET	X X X X X
12 37927	NEEDLE BAR BALL BUSHING (UPPER & LOWER)	X X X X X
13 446172	NEEDLE BAR VIBRATING BRACKET COMPLETE	X X X X X
14 507343	NEEDLE BAR DRIVING ARM HINGE BRACKET HINGE PIN RETAINING RING	X X X X X
15 422404	NEEDLE BAR VIBRATING BRACKET	X X X X X
16 422320	NEEDLE BAR BALL BUSHING (UPPER) RETAINING RING	X X X X X
17 502354	NEEDLE BAR BALL BUSHING (UPPER) SPRING WASHER	X X X X X
18 445406	NEEDLE BAR VIBRATING BRACKET HINGE PIN (ECCENTRIC) COLLAR	X X X X X
444802	NEEDLE BAR VIBRATING BRACKET HINGE PIN (ECC) COLLAR (ALT. TO NO. 445406, FOR QUERETARO)	X X X X X
19 354592-451	NEEDLE BAR VIBRATING BRACKET HINGE PIN (ECCENTRIC) COLLAR SCREW	X X X X X
354592-451	N.B. VIB. BRCKT. HINGE PIN (ECC) COLLAR SCREW (ALT. TO NO. 354592-451, FOR QUERETARO)	X X X X X
20 445865	NEEDLE BAR CONNECTING STUD	X X X X X
37930	NEEDLE BAR CONNECTING STUD (ALTERNATE TO NO. 445865)	X X X X X
37931	NEEDLE BAR CONNECTING STUD HINGE PIN	X X X X X
22 141916-833	NEEDLE BAR CLAMPING SCREW	X X X X X
354387-451	NEEDLE BAR CLAMPING SCREW (ALTERNATE TO NO. 141916-833)	X X X X X
23 37932	NEEDLE BAR CONNECTING STUD HINGE PIN	X X X X X
24 37926	NEEDLE BAR	X X X X X
25 445184	NEEDLE BAR	X X X X X
26 446195	NEEDLE BAR VIBRATING BRACKET (PLASTIC)	X X X X X
27 446196	NEEDLE BAR VIBRATING BRACKET	X X X X X
28 37943	NEEDLE BAR GIB	X X X X X
29 44450	NEEDLE BAR BALL BUSHING (LOWER) SOCKET (UPPER)	X X X X X
31 44473	NEEDLE BAR BALL BUSHING (LOWER) ADJUSTING SCREW	X X X X X
32 141938-833	NEEDLE BAR BALL BUSHING (LOWER) ADJUSTING SCREW SET SCREW	X X X X X
33 445790	NEEDLE CLAMP	X X X X X
37949	NEEDLE CLAMP (ALTERNATE TO NO. 445790, FOR QUERETARO)	X X X X X
34 141942-451	NEEDLE THUMB SCREW	X X X X X
141942-892	NEEDLE THUMB SCREW (ALTERNATE TO NO. 141942-451, FOR QUERETARO)	X X X X X
35 445815	NEEDLE CLAMP BODY	X X X X X
37950	NEEDLE CLAMP BODY (ALTERNATE TO NO. 445815, FOR QUERETARO)	X X X X X
36 N2045	NEEDLE SIZE NO. 14	X X X X X
37 445756	NEEDLE CLAMP THREAD GUIDE	X X X X X
319721	NEEDLE CLAMP THREAD GUIDE (ALTERNATE TO NO. 445756, FOR QUERETARO)	X X X X X
38 141808-451	NEEDLE CLAMP BODY, NEEDLE CLAMP THREAD GUIDE & NEEDLE STOP SCREW	X X X X X
39 446190	NEEDLE BAR DRIVING ARM HINGE BRACKET	X X X X X
40 446191	NEEDLE BAR DRIVING ARM HINGE BRACKET HINGE PIN	X X X X X

THREAD TAKE UP & PRESSURE BAR



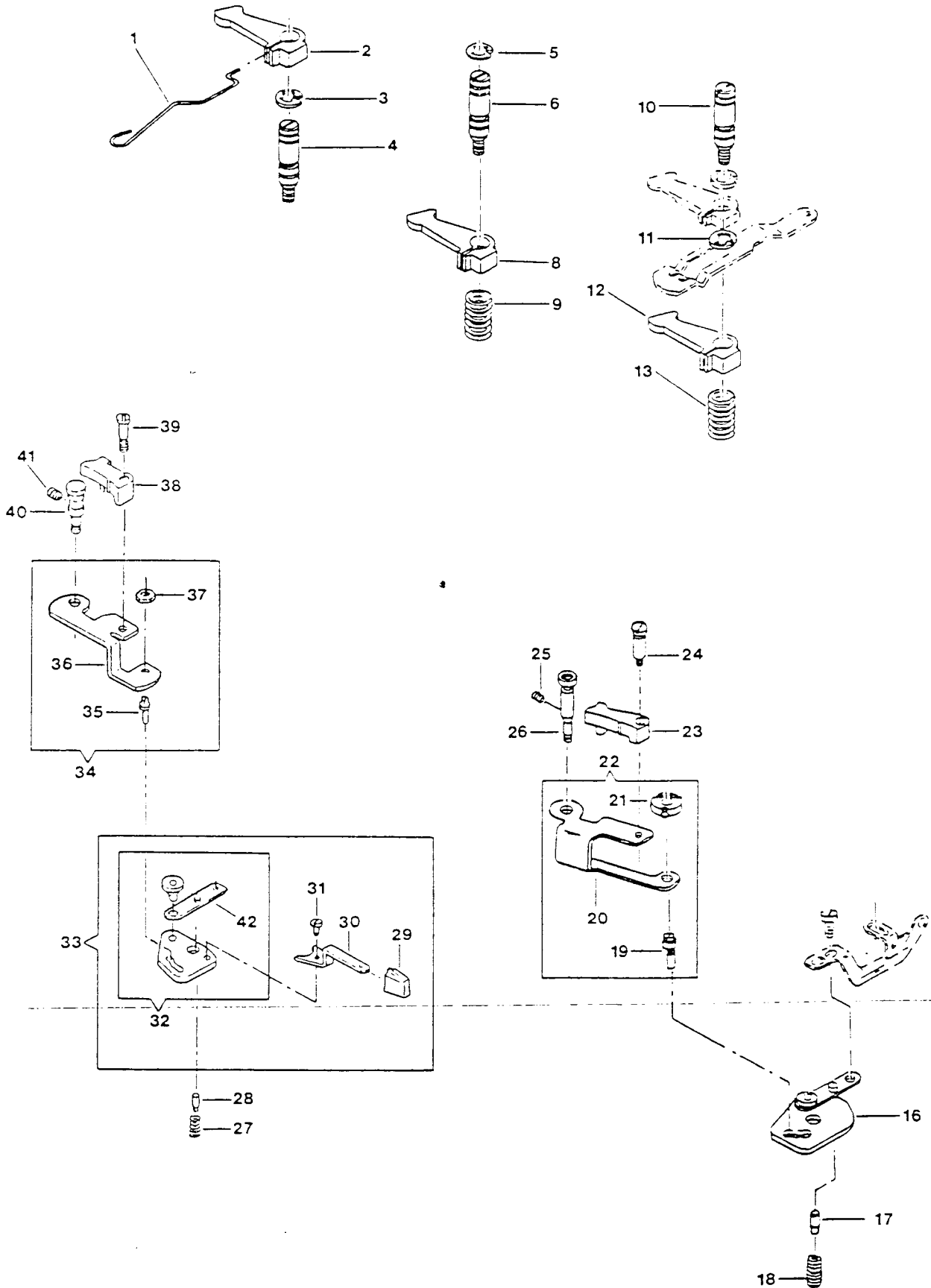
FEED MECHANISM



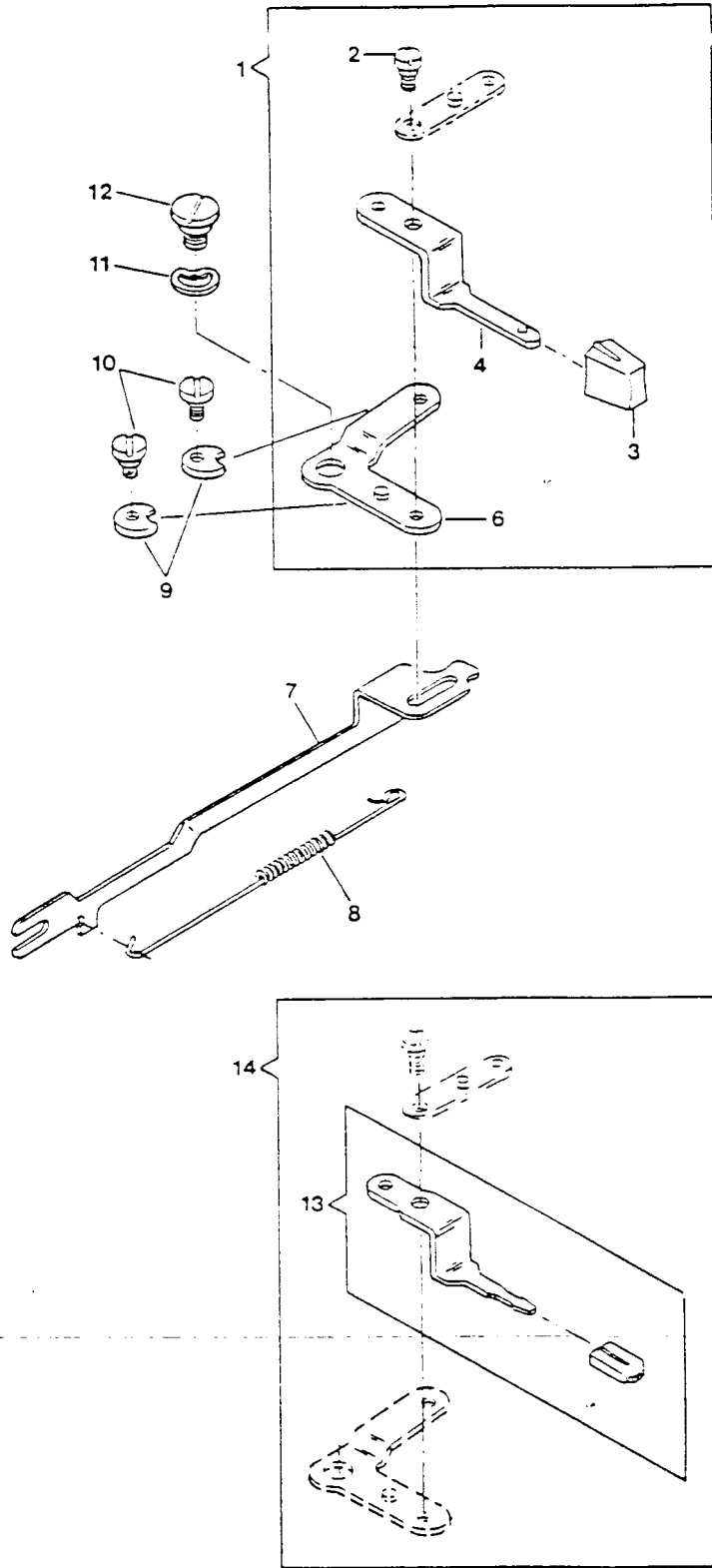
FEEED MECHANISM

PART NO.	DESCRIPTION	1	2	3	4	5	6	7	8	9	10	11	12	13	14	15	16	17	18	19	20	21	22	23	24	25	26	27	28	29	30	31	32	33		
445148	FEED REGULATOR CONTROL ARM	X	X	X																																
445151	FEED REGULATOR CONTROL ARM				X	X																														
354552-451	FEED REGULATOR CONTROL ARM MOUNTING BRACKET SCREW (2)	X	X	X	X	X																														
444857	FEED REGULATOR	X	X	X																																
445478	FEED REGULATOR				X	X																														
141925-833	FEED REGULATOR HINGE STUD SET SCREW	X	X	X	X	X																														
354666-451	FEED REGULATOR HINGE STUD SET SCREW				X	X																														
445837	FEED REGULATOR CUSHION SPRING	X	X	X	X	X																														
319696	FEED CAM	X	X	X	X	X																														
354082-833	FEED CAM SET SCREW	X	X	X	X	X																														
354813-451	FEED CAM SET SCREW (ALTERNATE TO NO. 354082-833, FOR CAMPINAS)	X	X	X	X	X																														
445767	FEED REGULATOR SPACER (PLASTIC)	X	X	X	X	X																														
445955	FEED REGULATOR HINGE STUD	X	X	X	X	X																														
445766	FEED REGULATOR HINGE STUD	X	X	X	X	X																														
445838	FEED REGULATOR HINGE STUD BUSHING				X	X																														
445768	FEED REGULATOR RETURN SPRING SPACER (PLASTIC)	X	X	X	X	X																														
445860	FEED REGULATOR RETURN SPRING	X	X	X	X	X																														
354766-451	FEED REGULATOR CONTROL ARM MOUNTING BRACKET SCREW (2)	X	X	X	X	X																														
354647-451	FEED REGULATOR HINGE STUD BUSHING SET SCREW				X	X																														
319820	FEED FORKED CONNECTION SLIDE BLOCK (PLASTIC)	X	X	X	X	X																														
44437	FEED FORKED CONNECTION SLIDE BLOCK (ALTERNATE TO NO. 319820, FOR QLEFETARO)	X	X	X	X	X																														
445811	FEED FORKED CONNECTION	X	X	X	X	X																														
37283	FEED FORKED CONNECTION (ALTERNATE TO NO. 445811, FOR QLEFETARO)	X	X	X	X	X																														
141805-850	FEED FORKED CONNECTION HINGE SCREW (ECCENTRIC)	X	X	X	X	X																														
141805-850	FEED LIFTING ROCK SHAFT CONNECTING ROD HINGE SCREW (ECCENTRIC)	X	X	X	X	X																														
37284-001	FEED FORKED CONNECTION RETAINING WASHER (PLASTIC)	X	X	X	X	X																														
37288	FEED LIFTING ROCK SHAFT CONNECTING ROD	X	X	X	X	X																														
445758	FEED FORKED CONNECTION	X	X	X	X	X																														
444815	FEED FORKED CONNECTION (ALTERNATE TO NO. 445758, FOR QLEFETARO)	X	X	X	X	X																														
354316-451	FEED LIFTING ROCK SHAFT CENTER SET SCREW (2)	X	X	X	X	X																														
37287	FEED LIFTING ROCK SHAFT CENTER (2)	X	X	X	X	X																														
53648-819	FEED FORKED CONNECTION HINGE SCREW (ECCENTRIC) NUT	X	X	X	X	X																														
53648-819	FEED LIFTING ROCK SHAFT CONNECTING ROD HINGE SCREW (ECCENTRIC) NUT	X	X	X	X	X																														
354316-451	FEED ROCK SHAFT CENTER SET SCREW (2)	X	X	X	X	X																														
37287	FEED ROCK SHAFT CENTER (2)	X	X	X	X	X																														
446152	FEED LIFTING ROCK SHAFT	X	X	X	X	X																														
37915	FEED ROCK SHAFT (ALTERNATE TO NO. 445952, FOR QLEFETARO)	X	X	X	X	X																														
445952	FEED ROCK SHAFT	X	X	X	X	X																														
141921-850	FEED BAR SCREW CENTER (2)	X	X	X	X	X																														
53647-819	FEED BAR SCREW CENTER NUT (2)	X	X	X	X	X																														
44505	FEED BAR SCREW CENTER (2)	X	X	X	X	X																														
445803	FEED BAR	X	X	X	X	X																														
44601	FEED BAR (ALTERNATE TO NO. 445803, FOR QLEFETARO & CAMPINAS)	X	X	X	X	X																														
153286	FEED DOG	X	X	X	X	X																														
445896	FEED DOG (ALTERNATE TO NO. 153286, FOR CAMPINAS)	X	X	X	X	X																														
445896	FEED DOG (ALTERNATE TO NO. 153286, FOR CAMPINAS)				X	X																														
446017	FEED DOG (ALTERNATE TO NO. 153286, FOR TAIWAN)	X	X	X	X	X																														
141808-452	FEED DOG SCREW (2)	X	X	X	X	X																														

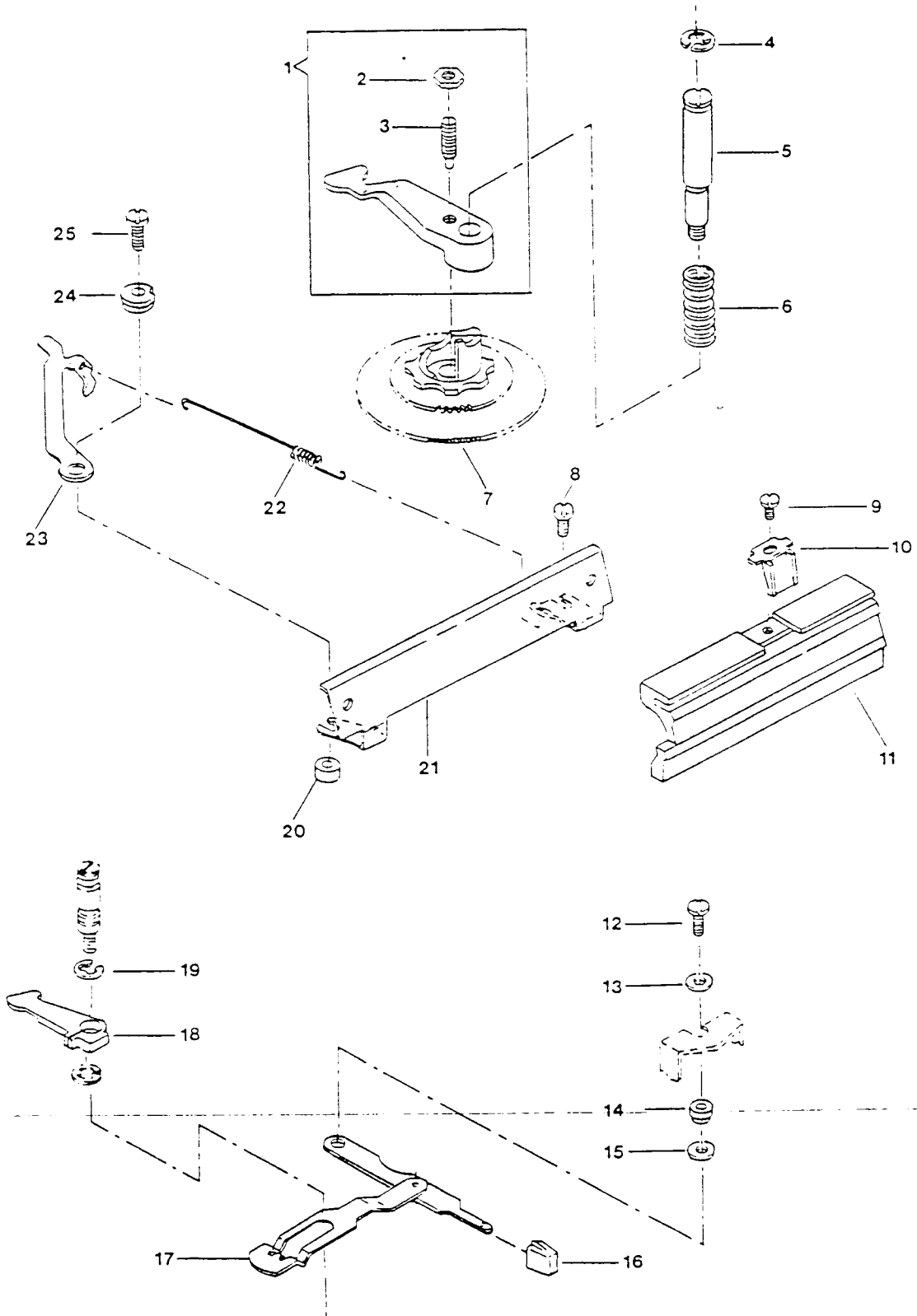
NEEDLE POSITION



STITCH WIDTH (BIGHT)

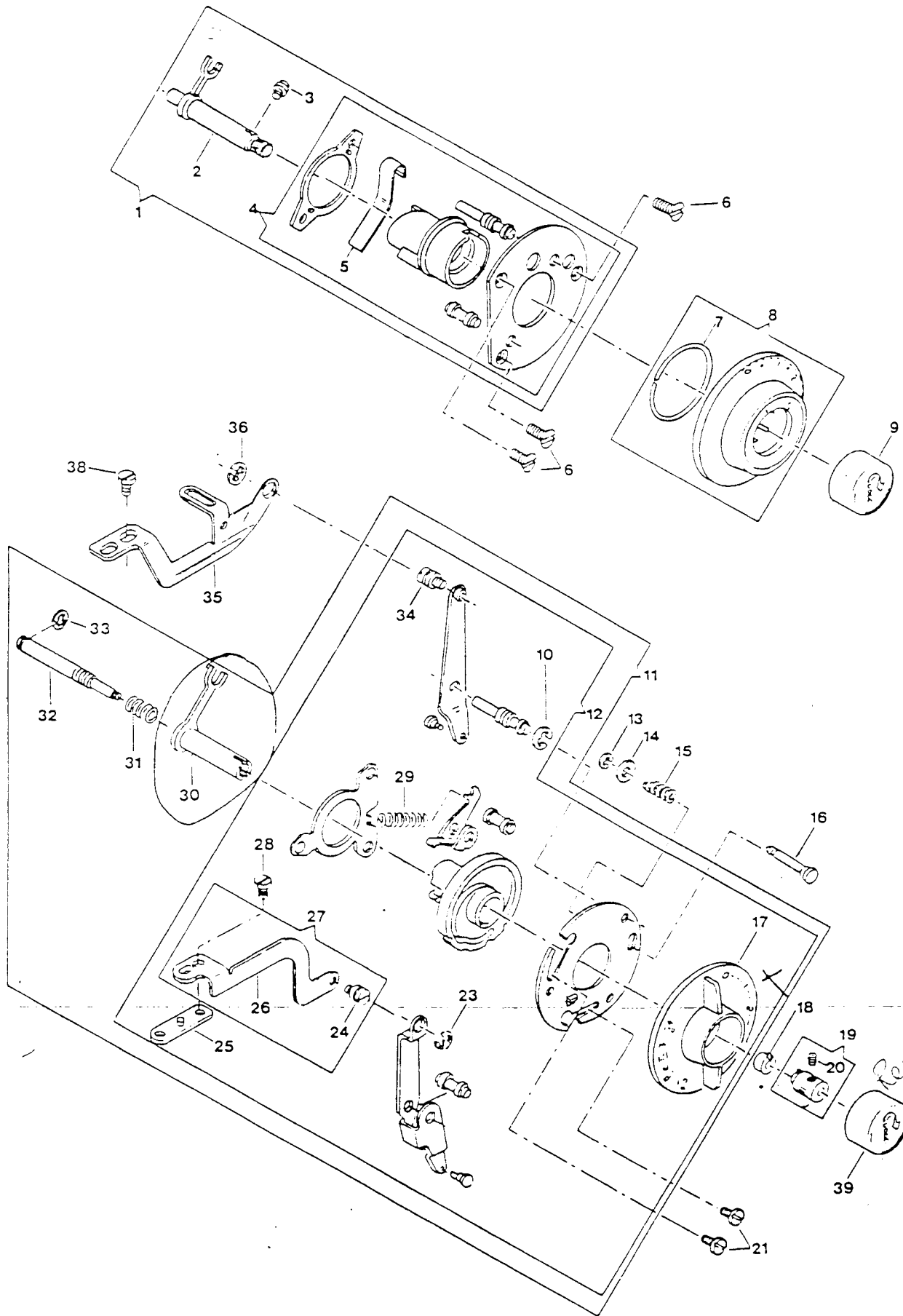


PATTERN SELECTOR & INDICATOR



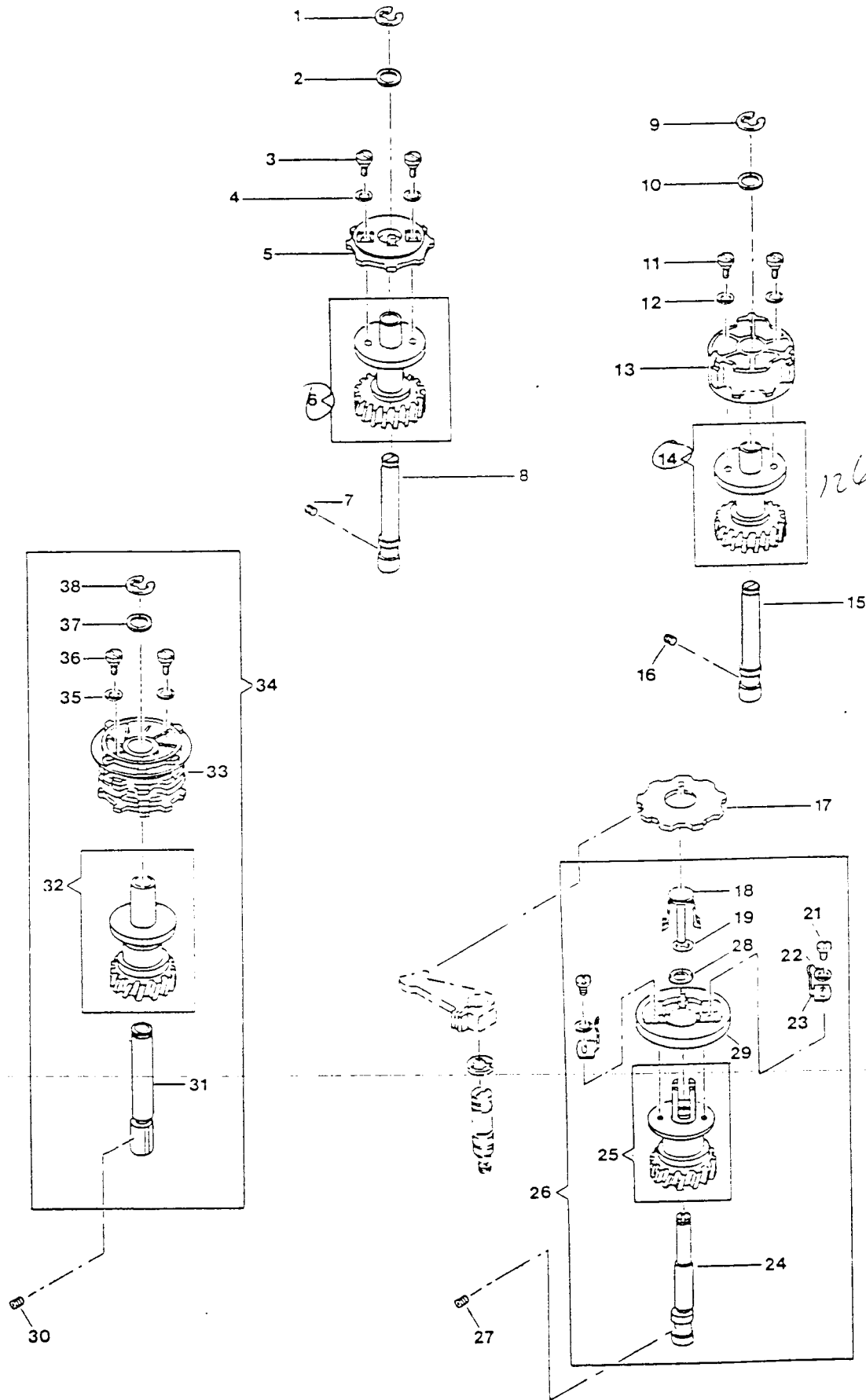
Reverse

FEED REGULATOR & BUTTONHOLER

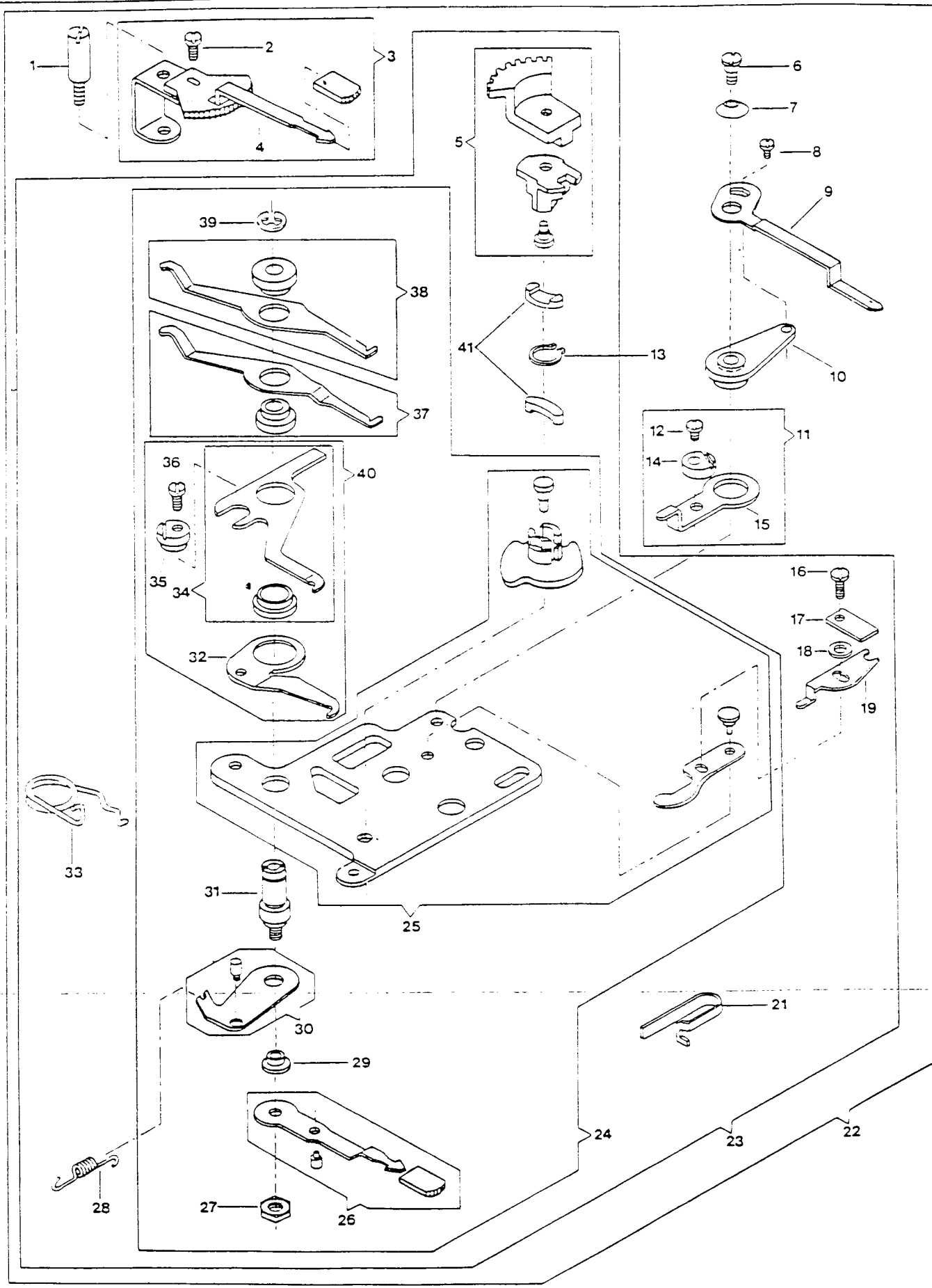


Reverse

CAM STACK



CAM CONTROLLED FEED

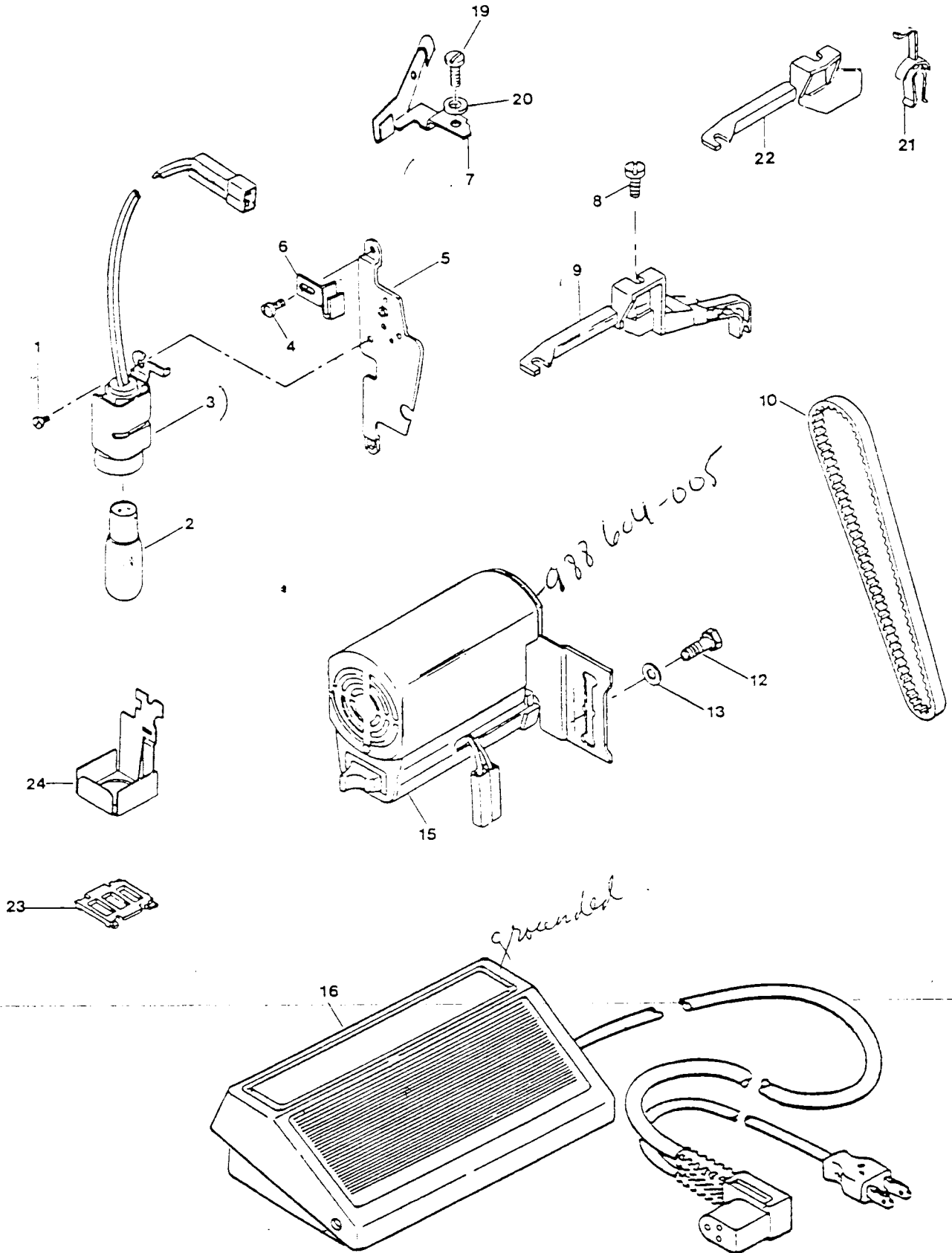


CAM CONTROLLED FEED

11111111
12121212
14161818
17131018
1N1N1N1N

QTY	PART NO.	DESCRIPTION			
1	354869-451	PAT. SEL. ENGAGING LEVER HINGE SCREW & CAM CONT. FEED MOUNT. PLATE SCREW (BACK, LEFT)			X
2	354826-451	PATTERN SELECTOR ENGAGING LEVER GEAR SCREW			X
3	446038-451	PATTERN SELECTOR ENGAGING LEVER			X
4	445463	PATTERN SELECTOR ENGAGING LEVER GEAR (PLASTIC)			X
5	445391	PATTERN SELECTOR ENGAGING LEVER GEAR SEGMENT			X
6	354628-451	CAM CONT. FEED DRIVING ARM ECCENTRIC SCREW & MOUNTING PLATE SCREW (BACK, RIGHT)			X
7	445384	CAM CONTROLLED FEED DRIVING ARM ECCENTRIC SCREW FRICTION WASHER			X
8	141913-451	CAM CONTROLLED FEED DRIVING ARM ECCENTRIC LEVER SCREW			X
9	446034-451	CAM CONTROLLED FEED DRIVING ARM ECCENTRIC LEVER			X
10	44576	CAM CONTROLLED FEED DRIVING ARM ECCENTRIC			X
11	445138	CAM CONTROLLED FEED DRIVING ARM			X
12	141920-452	CAM CONTROLLED FEED DISC FOLLOWER (LOWER) ARM ECCENTRIC SCREW			X
13	445562	PATTERN SELECTOR ENGAGING LEVER GEAR SEGMENT RETAINING RING			X
14	444866	CAM CONTROLLED FEED DISC FOLLOWER (LOWER) ARM ECCENTRIC			X
15	44565	CAM CONTROLLED FEED DRIVING ARM			X
16	354826-451	FEED REGULATOR CONTROL ARM PRESSURE LEVER SCREW			X
17	618612-001	FEED REGULATOR CONTROL ARM PRESSURE SPRING GUIDE			X
18	445765	FEED REGULATOR CONTROL ARM PRESSURE SPRING GUIDE SPACER			X
19	444805	FEED REGULATOR CONTROL ARM PRESSURE LEVER			X
21	44858	FEED REGULATOR CONTROL ARM PRESSURE SPRING			X
22	445481-451	CAM CONTROLLED FEED MECHANISM			X
23	445480-451	CAM CONTROLLED FEED MECHANISM COMPLETE			X
24	445479-451	CAM CONTROLLED FEED MECHANISM MOUNTING PLATE COMPLETE			X
25	445537	CAM CONTROLLED FEED MECHANISM MOUNTING PLATE			X
26	445370-451	NEEDLE POSITION SELECTOR LEVER			X
27	179748-451	NEEDLE POSITION SELECTOR LEVER RETAINING NUT			X
28	445468	CAM CONTROLLED FEED CAM POSITIONING LEVER SPRING			X
29	445607	CAM CONTROLLED FEED DISC FOLLOWER (LOWER & UPPER) MOUNTING SCREW STUD NUT			X
30	445394	CAM CONTROLLED FEED CAM POSITIONING LEVER			X
31	445606	CAM CONTROLLED FEED DISC FOLLOWER (LOWER & UPPER) MOUNTING SCREW STUD			X
32	445378	CAM CONTROLLED FEED DISC FOLLOWER (UPPER) ARM			X
33	445748	CAM CONTROLLED FEED DISC FOLLOWER SPRING			X
34	445400	CAM CONTROLLED FEED DISC FOLLOWER (LOWER) ARM			X
35	445538	CAM CONTROLLED FEED DISC FOLLOWER (LOWER & UPPER) ARM ECCENTRIC			X
36	354826-451	CAM CONTROLLED FEED DISC FOLLOWER (LOWER & UPPER) ARM ECCENTRIC SCREW			X
37	445397	CAM CONTROLLED FEED DISC FOLLOWER (LOWER)			X
38	445399	CAM CONTROLLED FEED DISC FOLLOWER (UPPER)			X
39	445486	CAM CONTROLLED FEED DISC FOLLOWER (LOWER & UPPER) RETAINING RING			X
40	445401	CAM CONTROLLED FEED DISC FOLLOWER (LOWER) ARM			X
41	44563	CAM CONTROLLED FEED DISC FOLLOWER DRIVING SLIDE (LOWER & UPPER)			X

ELECTRICAL EQUIPMENT



G.D. 822068