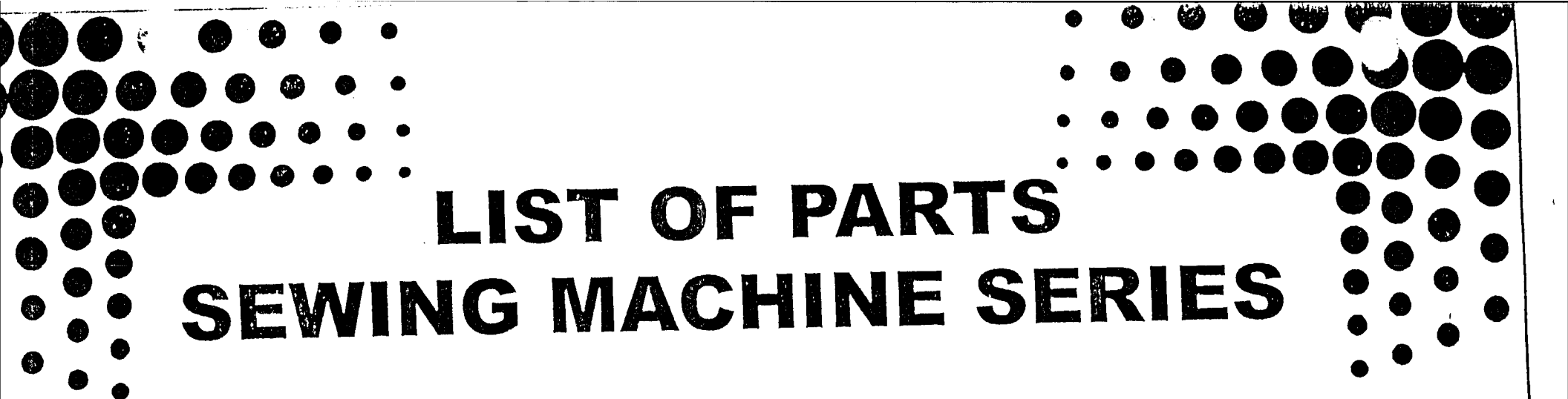


SINGER

2500/3314/3317/2440/3343/3270/DX-14



**LIST OF PARTS
SEWING MACHINE SERIES**

*2502, 2503, 2504
2515, 2518, 2530
2547, 2548*


2500/3314/3317

2440/3343/3270

DX-14



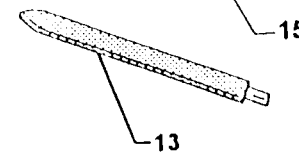
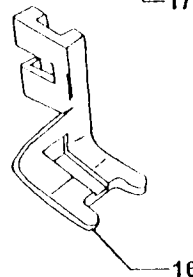
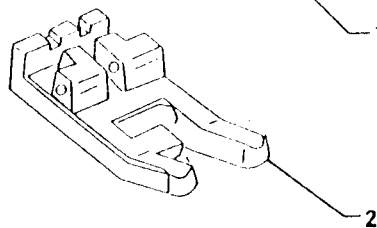
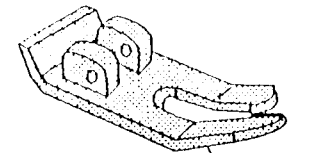
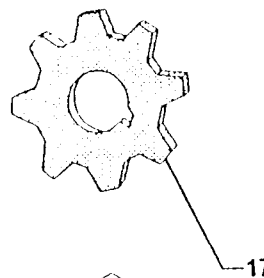
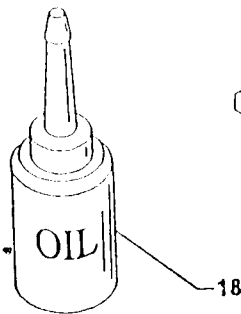
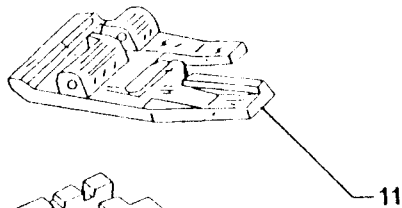
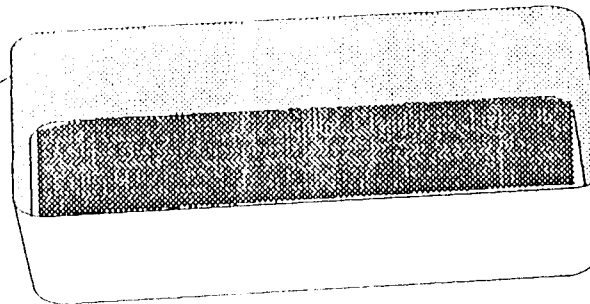
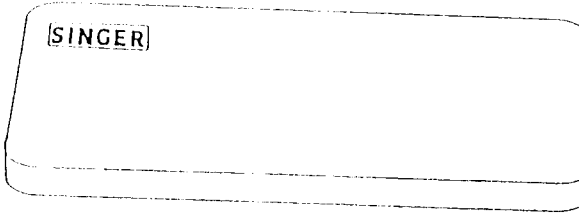
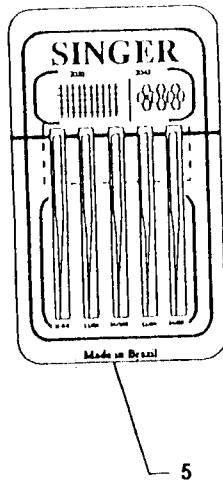
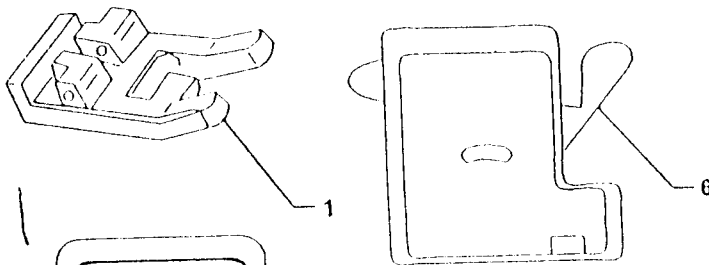
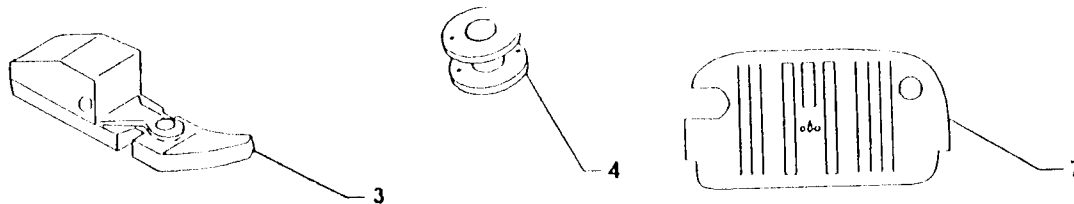
THE SINGER COMPANY
©1998 SINGER DO BRASIL
ALL RIGHTS RESERVED



PRINTED IN BRAZIL
P/N 357672-001
DEC/98

ATTACHMENT SET

At 316010 001



REV: _____
DATE: DEC/98

PAGE NBR

SUB-ASSEMBLY

| | |
|---------|------------------------------------|
| 01 - 04 | ATTACHMENT SET |
| 05 - 06 | ARM, BED, THROAT PLATE & BED SLIDE |
| 07 - 08 | ARM TOP COVER |
| 09 - 10 | COVERS & ADD-ONS |
| 11 - 13 | NEEDLE BAR |
| 14 - 15 | PRESSER BAR |
| 16 - 17 | ARM SHAFT DRIVE |
| 18 - 19 | HAND WHEEL |
| 20 - 21 | TENSION MECHANISM |
| 22 - 23 | ROTATING HOOK |
| 24 - 25 | BIGHT AMPLITUDE |
| 26 - 27 | NEEDLE POSITION |
| 28 - 29 | CAM STACK |
| 30 - 31 | FEED REGULATOR CAM |
| 32 - 33 | BUTTONHOLER & FEED REGULATOR CAM |
| 34 - 35 | FEED SYSTEM |
| 36 - 38 | ELECTRICAL EQUIPMENT |

**PART LIST
ATTACHMENTS**

2 2 2 2 2 2 2 2 2 2 D 3 3 3
5 5 5 5 5 5 5 5 4 X 3 3 3 2
0 0 0 0 1 3 1 4 4 1 1 1 4 7
2 3 4 5 5 0 7 3 0 4 4 7 3 0

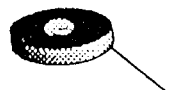
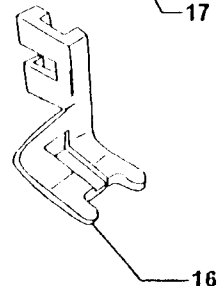
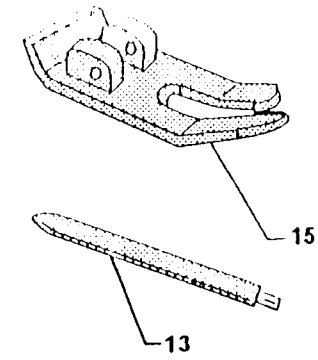
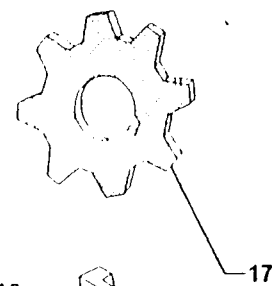
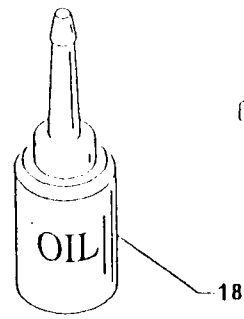
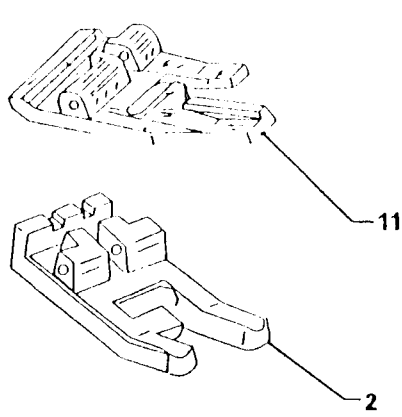
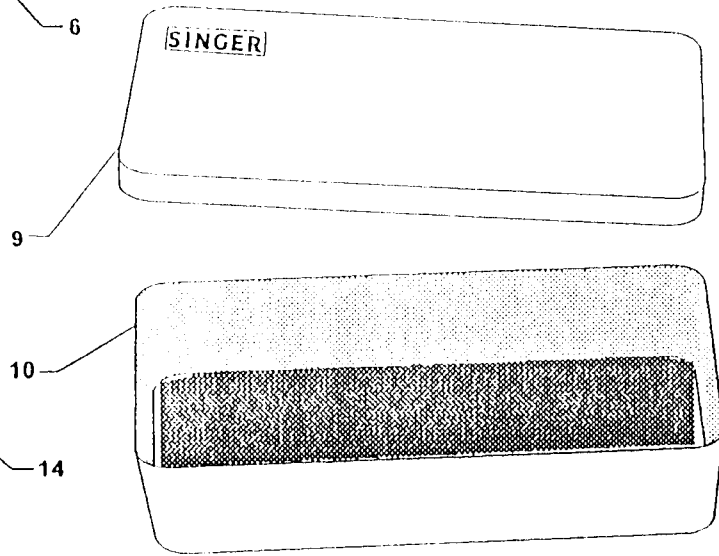
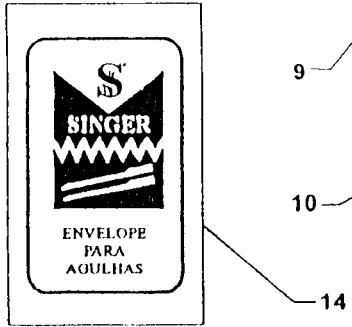
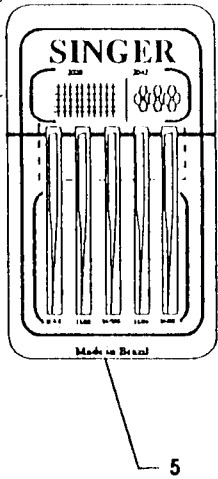
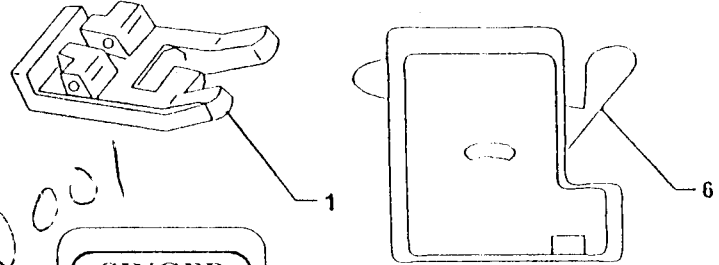
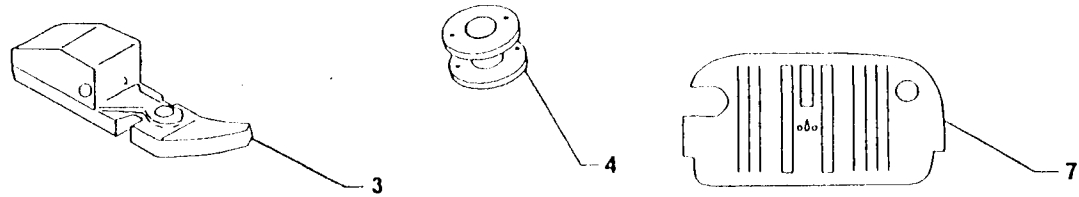
REF. PART NBR DESCRIPTION

| | | | | | | | | | | | | | | | | |
|----|------------|--|---|---|---|---|---|---|---|---|---|---|---|---|---|---|
| 01 | 446492-451 | SPECIAL PURPOSE PRESSER FOOT PLATE | 0 | 0 | 0 | X | X | X | X | X | X | 0 | 0 | X | X | X |
| 02 | 161927 | BUTTONHOLER PRESSER FOOT | 0 | 0 | X | X | X | X | X | X | X | 0 | 0 | X | X | X |
| 03 | 507836 | ZIPPER & CORDING PRESSER FOOT | 0 | 0 | 0 | X | X | X | X | X | X | 0 | 0 | X | X | X |
| 04 | 172336 | BOBBIN (PLASTIC) | X | X | X | X | X | X | X | X | X | X | X | X | X | X |
| 05 | 353364 | NEEDLE PACK <i>950 353364000B</i> | X | X | X | X | X | X | X | X | X | X | X | X | X | X |
| 06 | 313117 | FEED COVER PLATE (PLASTIC) | X | X | X | X | X | X | X | X | X | X | X | X | X | X |
| 07 | 356714-000 | THROAT PLATE STRAIGHT STITCH | 0 | 0 | 0 | X | 0 | X | X | X | X | 0 | 0 | X | X | X |
| 09 | 446149-461 | ATTACHMENT BOX COVER (SMALL) | X | X | X | X | X | - | X | - | X | X | X | X | - | - |
| 09 | 381287-455 | ATTACHMENT BOX COVER (LARGE) | - | - | - | X | - | X | - | X | - | - | - | - | X | X |
| 10 | 446148-456 | ATTACHMENT BOX BASE (SMALL) | X | X | X | X | X | - | X | - | X | X | X | X | - | - |
| 10 | 381286-455 | ATTACHMENT BOX BASE (LARGE) | - | - | - | X | - | X | - | X | - | - | - | - | X | X |
| 11 | 356630 | BLIND STITCH PRESSER FOOT | - | X | X | X | X | X | X | X | X | - | - | X | X | X |
| 12 | 8879-656 | ARM SPOOL PIN WASHER (FELT) | X | X | X | X | X | X | X | X | X | X | X | X | X | X |
| 12 | 8879-656 | ARM SPOOL PIN WASHER (FELT) FOR TWIN NEEDLE | 0 | 0 | 0 | X | X | X | X | X | X | 0 | 0 | X | X | X |
| 13 | 356942-453 | ARM TOP COVER SPOOL PIN | X | X | X | X | X | X | X | X | X | X | X | X | X | X |
| 13 | 356942-453 | ARM TOP COVER SPOOL PIN FOR TWIN NEEDLE | 0 | 0 | 0 | X | 0 | 0 | 0 | 0 | 0 | 0 | 0 | 0 | 0 | 0 |
| 14 | 531868 | NEEDLE PACK WITH NEEDLE 2045 SIZE 14 <i>5045 5045 0965 144</i> | 0 | 0 | 0 | X | X | X | X | X | X | 0 | 0 | X | X | X |
| 15 | 153267 | PRESSER FOOT PLATE FOR STRAIGHT STITCH | 0 | 0 | 0 | X | 0 | X | X | X | X | 0 | 0 | X | X | X |
| 16 | 179911 | PRESSER FOOT PLATE FOR SEWING ON BUTTON | 0 | 0 | 0 | X | X | X | X | X | X | 0 | 0 | X | X | X |

| <u>REF.</u> | <u>NEW</u> | <u>IN REPLACE OF</u> | <u>DATE</u> |
|-------------|------------|----------------------|-------------|
| 08 | ---- | 501750 | 11/30/1996 |
| 09 | 446149-461 | 446149-458 | 12/12/1997 |
| 09 | 381287-454 | 381287-455 | 12/12/1997 |
| 10 | 446148-458 | 446148-456 | 12/12/1997 |
| 10 | 381286-455 | 381286-454 | 12/12/1997 |
| 12 | 8879-656 | 8879-455 | 25/03/1998 |

ATTACHMENT SET

3/60/0001



REV: _____
 DATE: D. 98

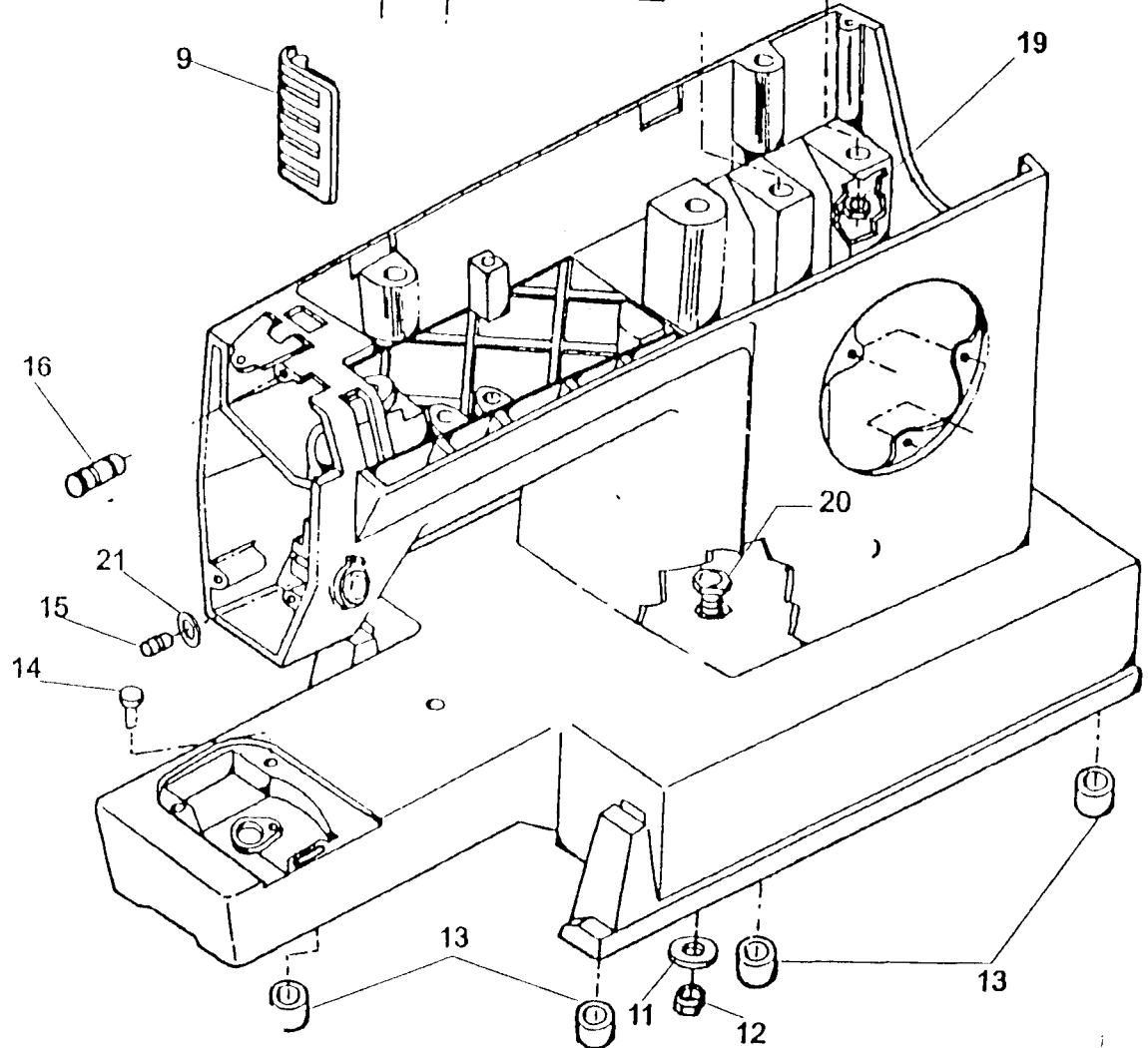
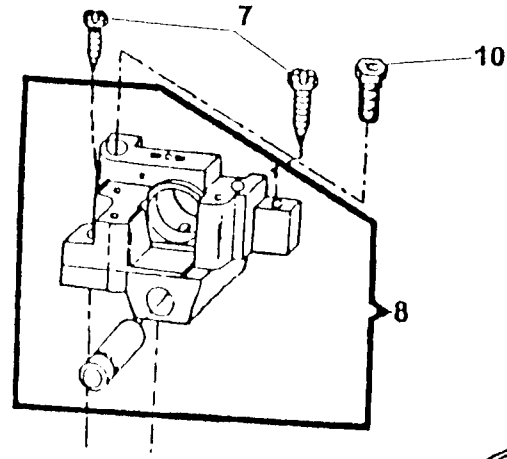
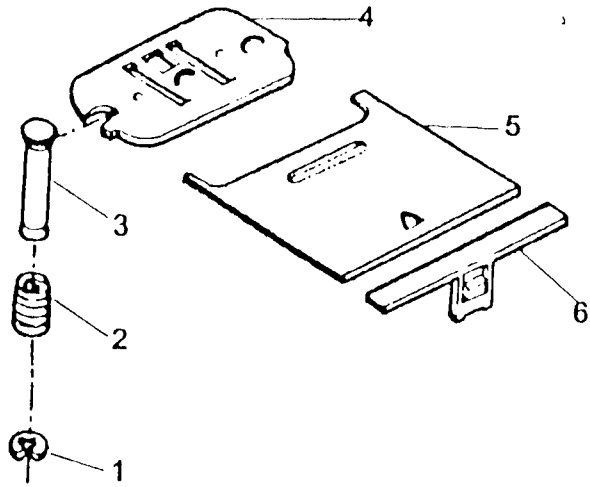
PART LIST
ATTACHMENT SET (CONI.)

2 2 2 2 2 2 2 2 2 2 D 3 3 3 3
5 5 5 5 5 5 5 5 4 X 3 3 3 2
0 0 0 0 1 3 1 4 4 1 1 1 4 7
2 3 4 5 5 0 7 3 0 4 4 7 3 0

REF. PART NBR DESCRIPTION

| | | | | | | | | | | | | | | | | |
|----|------------|---------------------------------------|---|---|---|---|---|---|---|---|---|---|---|---|---|---|
| 17 | 276302 | DISC NBR 2 (MULTI ZIG-ZAG STITCH) | - | - | - | X | X | X | X | X | X | - | - | X | X | X |
| 17 | 1276304 | DISC NBR 4 (SCALLOP STITCH) | - | - | - | - | X | - | - | - | - | - | - | - | - | - |
| 17 | 276305 | DISC NBR 5 (ARROWHEAD STITCH) | - | - | - | X | X | - | - | - | - | - | - | - | - | - |
| 17 | 276306 | DISC NBR 6 (DOMINO STITCH) | - | - | - | X | X | - | - | - | - | - | - | - | - | - |
| 17 | 276307 | DISC NBR 7 (SHELL STITCH) | - | - | - | X | X | - | - | - | - | - | - | - | - | - |
| 17 | 276309 | DISC NBR 9 (ICICLE STITCH) | - | - | - | - | X | - | - | - | - | - | - | - | - | - |
| 17 | 276310 | DISC NBR 10 (BANNER STITCH) | - | - | - | X | X | - | - | - | - | - | - | - | - | - |
| 17 | 276311 | DISC NBR 11 (KEY STITCH) | - | - | - | - | X | - | - | - | - | - | - | - | - | - |
| 17 | 276312 | DISC NBR 12 (WALLS OF TROY STITCH) | - | - | - | X | X | - | - | - | - | - | - | - | - | - |
| 17 | 276313 | DISC NBR 13 (DIAMOND STITCH) | - | - | - | X | X | - | - | - | - | - | - | - | - | - |
| 17 | 276314 | DISC NBR 14 (ZIG-ZAG POINTS STITCH) | - | - | - | - | X | - | - | - | - | - | - | - | - | - |
| 17 | 276315 | DISC NBR 15 (LONG OBLIQUE STITCH) | - | - | - | - | X | - | - | - | - | - | - | - | - | - |
| 17 | 276316 | DISC NBR 16 (SHINGLE STITCH) | - | - | - | - | X | - | - | - | - | - | - | - | - | - |
| 17 | 276317 | DISC NBR 17 (PENNANT STITCH) | - | - | - | - | X | - | - | - | - | - | - | - | - | - |
| 17 | 276318 | DISC NBR 18 (THREE STEP STITCH) | - | - | - | - | X | - | - | - | - | - | - | - | - | - |
| 17 | 276319 | DISC NBR 19 (BALL STITCH) | - | - | - | - | X | - | - | - | - | - | - | - | - | - |
| 17 | 276320 | DISC NBR 20 (CURVE MENDING STITCH) | - | - | - | - | X | - | - | - | - | - | - | - | - | - |
| 17 | 276322 | DISC NBR 22 (SEMAPHORE STITCH) | - | - | - | - | X | - | - | - | - | - | - | - | - | - |
| 17 | 276323 | DISC NBR 23 (SOLID PYRAMID STITCH) | - | - | - | - | X | - | - | - | - | - | - | - | - | - |
| 17 | 276325 | DISC NBR 25 (SPINY STITCH) | - | - | - | - | X | - | - | - | - | - | - | - | - | - |
| 17 | 276326 | DISC NBR 26 (BLOCK STITCH) | - | - | - | X | X | - | - | - | - | - | - | - | - | - |
| 17 | 276327 | DISC NBR 27 (FAGOTING STITCH) | - | - | - | - | X | - | - | - | - | - | - | - | - | - |
| 17 | 276328 | DISC NBR 28 (COMB STITCH) | - | - | - | X | X | - | - | - | - | - | - | - | - | - |
| 17 | 276329 | DISC NBR 29 (PAVILLON STITCH) | - | - | - | X | X | - | - | - | - | - | - | - | - | - |
| 17 | 276330 | DISC NBR 30 (PLATFORM STITCH) | - | - | - | - | X | - | - | - | - | - | - | - | - | - |
| 17 | 276337 | DISC NBR 37 (ALPINE STITCH) | - | - | - | - | X | - | - | - | - | - | - | - | - | - |
| 17 | 171340 | DISC NBR 3/350 (BLIND STITCH) | - | X | X | X | X | X | X | X | X | - | - | X | X | X |
| 17 | 171342 | DISC NBR 8/352 (SOLID SCALLOP STITCH) | - | - | - | X | X | - | - | - | - | - | - | - | - | - |
| 17 | 171341 | DISC NBR 31/351 (CRESCENT STITCH) | - | - | - | X | X | - | - | - | - | - | - | - | - | - |
| 18 | 357004-001 | OIL CONTAINER | 0 | 0 | 0 | 0 | X | 0 | 0 | 0 | 0 | 0 | 0 | 0 | 0 | 0 |

ARM, BED, THROAT PLATE & BED SLIDE



REV: _____
DATE: DEC/98

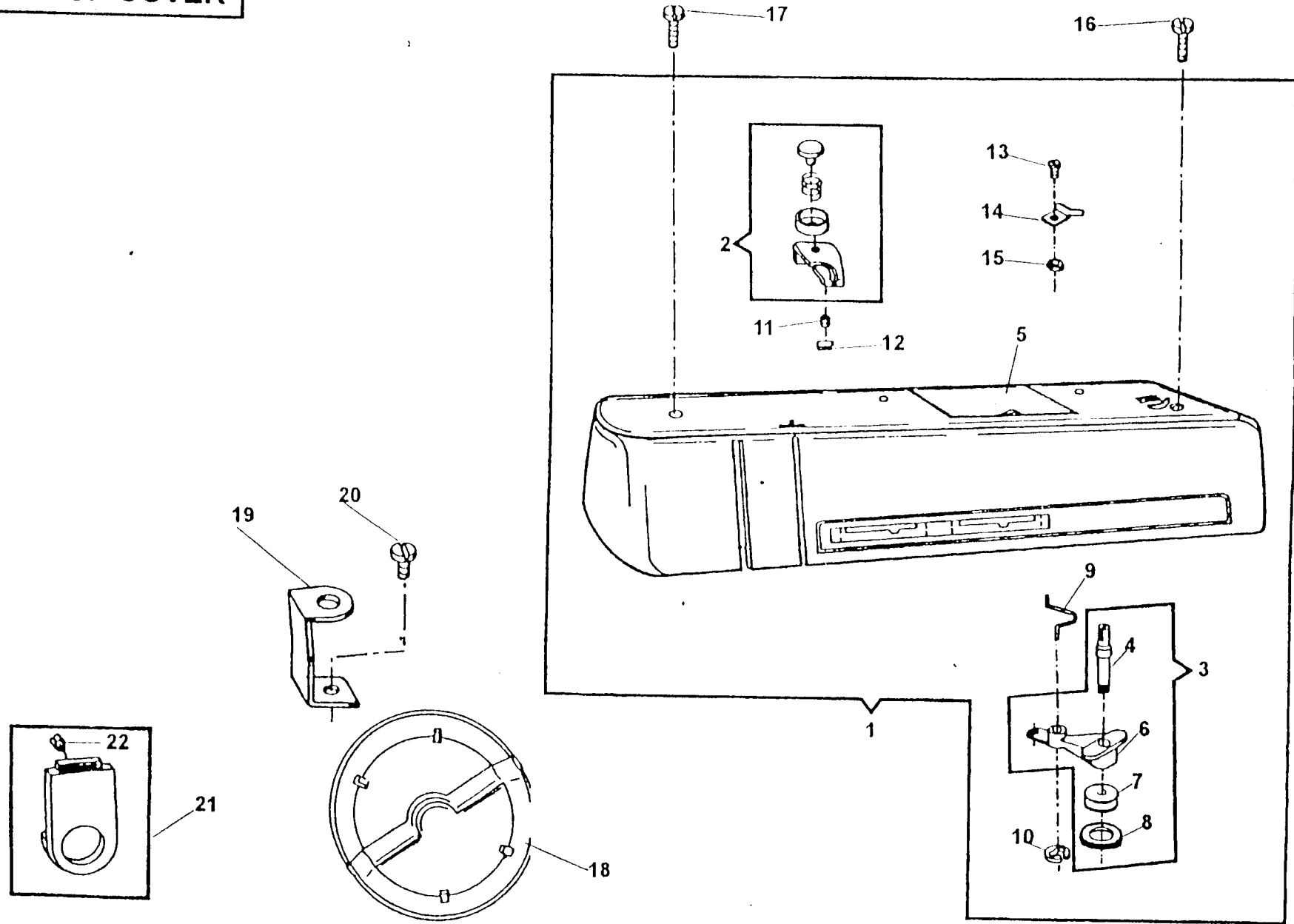
PART LIST
ARM, BED, THROAT PLATE & BED SLIDE

2 2 2 2 2 2 2 2 2 2 D 3 3 3 3
5 5 5 5 5 5 5 5 4 X 3 3 3 2
0 0 0 0 1 3 1 4 4 1 1 1 4 7
2 3 4 5 5 0 7 3 0 4 4 7 3 0

REF. PART NBR DESCRIPTION

| | | | | | | | | | | | | | | |
|----|------------|--|---|---|---|---|---|---|---|---|---|---|---|---|
| 01 | 179926 | THROAT PLATE CLAMP SPRING RETAINING RING | X | X | X | X | X | X | X | X | X | X | X | X |
| 02 | 357611 | THROAT PLATE CLAMP SPRING | X | X | X | X | X | X | X | X | X | X | X | X |
| 03 | 357445 | THROAT PLATE CLAMP | X | X | X | X | X | X | X | X | X | X | X | X |
| 04 | 356713 | THROAT PLATE FOR ZIG-ZAG SEWING | X | X | X | X | X | X | X | X | X | X | X | X |
| 05 | 179982 | BED SLIDE | X | X | X | X | X | X | X | X | X | X | X | X |
| 06 | 446482 | BED SLIDE SPRING | X | X | X | X | X | X | X | X | X | X | X | X |
| 07 | 113455-006 | ARM SHAFT (REAR) HOUSING MOUNTING SCREW | X | X | X | X | X | X | X | X | X | X | X | X |
| 08 | 357017-002 | ARM SHAFT (REAR) HOUSING ASSEMBLY | X | X | X | X | X | X | X | X | X | X | X | X |
| 09 | 353360-45X | ARM INSERT MOTOR VENT GRILL | X | X | X | X | X | X | X | X | X | X | X | X |
| 10 | 357020-451 | ARM SHAFT (REAR) HOUSING MOUNTING BOLT | X | X | X | X | X | X | X | X | X | X | X | X |
| 11 | 353375-451 | ARM BED BOLT LOCK WASHER | X | X | X | X | X | X | X | X | X | X | X | X |
| 12 | 514608 | ARM BED MOUNTING BOLT | X | X | X | X | X | X | X | X | X | X | X | X |
| 13 | 353559-451 | BED CUSHION (OPTIONAL) | X | X | X | X | X | X | X | X | X | X | X | X |
| 14 | 353624 | THROAT PLATE POSITION PIN | X | X | X | X | X | X | X | X | X | X | X | X |
| 15 | 357438-001 | TENSION RELEASING LEVER HINGE PIN | X | X | X | X | X | X | X | X | X | X | X | X |
| 16 | 446375 | THREAD TAKE-UP LEVER LINK HINGE STUD | X | X | X | X | X | X | X | X | X | X | X | X |
| 17 | 514608 | ARM SHAFT (REAR) HOUSING MOUNTING BOLT NUT | X | X | X | X | X | X | X | X | X | X | X | X |
| 18 | 446346-451 | BED (BOTTOM) COVER & CABINET BOLT | X | X | X | X | X | X | X | X | X | X | X | X |
| 19 | 357464-002 | TENSION RELEASING LEVER HINGE PIN WASHER | X | X | X | X | X | X | X | X | X | X | X | X |

ARM TOP COVER



REV: _____
DATE: DF '98

PART LIST
ARM TOP COVER :

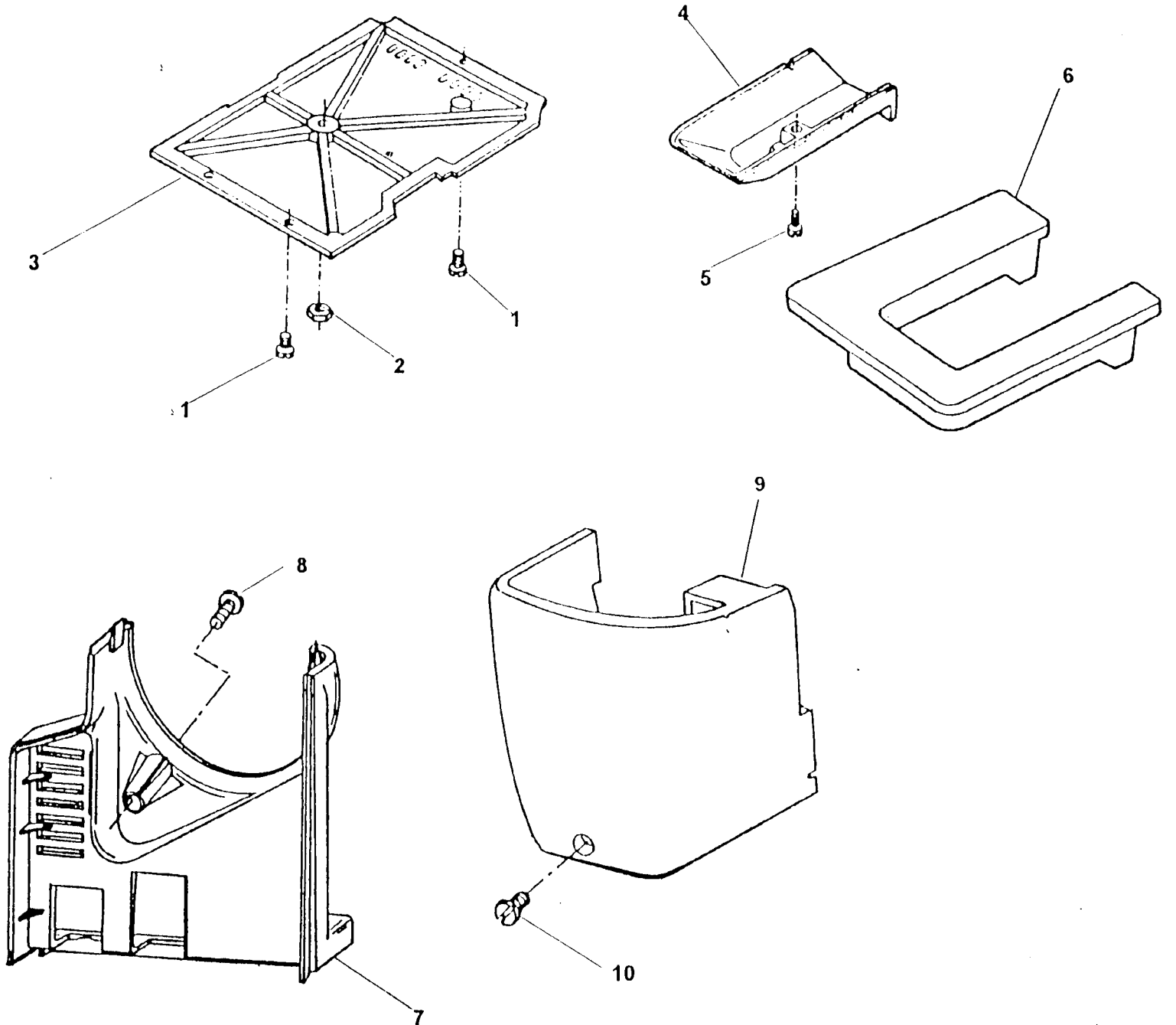
2 2 2 2 2 2 2 2 2 2 D 3 3 3 3
5 5 5 5 5 6 5 5 4 X 3 3 3 2
0 0 0 1 3 3 1 4 4 1 1 1 4 7
2 3 4 5 0 0 7 3 0 4 4 7 3 0

REF. PART NBR DESCRIPTION

| | | | | | | | | | | | | | | |
|----|------------|---|---|---|---|---|---|---|---|---|---|---|---|---|
| 01 | 356827-XXX | ARM TOP COVER COMPLETE | - | - | - | - | - | - | - | - | - | - | - | - |
| 02 | 356047 | BOBBIN WINDER TENSION COMPLETE | X | X | X | X | X | X | X | X | X | X | X | X |
| 03 | 531767-452 | BOBBIN WINDER ASSEMBLY | X | X | X | X | X | X | X | X | X | X | X | X |
| 04 | 357081-452 | BOBBIN WINDER SPINDLE COMPLETE | X | X | X | X | X | X | X | X | X | X | X | X |
| 05 | 356781-903 | ARM TOP COVER LID | X | X | X | X | X | X | X | X | X | X | X | X |
| 06 | 357082-452 | BOBBIN WINDER FRAME | X | X | X | X | X | X | X | X | X | X | X | X |
| 07 | 44440-001 | BOBBIN WINDER PULLEY | X | X | X | X | X | X | X | X | X | X | X | X |
| 08 | 15287-701 | BOBBIN WINDER FRICTION RING | X | X | X | X | X | X | X | X | X | X | X | X |
| 09 | 531766 | BOBBIN WINDER SPRING | X | X | X | X | X | X | X | X | X | X | X | X |
| 10 | 445486 | BOBBIN WINDER RETAINING RING | X | X | X | X | X | X | X | X | X | X | X | X |
| 11 | 141936-833 | BOBBIN WINDER TENSION BRACKET ADJUSTING SCREW | X | X | X | X | X | X | X | X | X | X | X | X |
| 12 | 44794 | BOBBIN WINDER TENSION BRACKET ADJUSTING SCREW | | | | | | | | | | | | |
| | | RETAINING CLIP | X | X | X | X | X | X | X | X | X | X | X | X |
| 13 | 141920-455 | BOBBIN WINDER STOP SCREW | X | X | X | X | X | X | X | X | X | X | X | X |
| 14 | 445924 | BOBBIN WINDER STOP | X | X | X | X | X | X | X | X | X | X | X | X |
| 15 | 53640-819 | BOBBIN WINDER STOP SCREW NUT | X | X | X | X | X | X | X | X | X | X | X | X |
| 16 | 354895-453 | ARM TOP COVER MOUNTING SCREW (RIGHT) | X | X | X | X | X | X | X | X | X | X | X | X |
| 17 | 354895-453 | ARM TOP COVER MOUNTING SCREW (LEFT) | X | X | X | X | X | X | X | X | X | X | X | X |
| 18 | 356789-901 | ARM TOP COVER RECEPTACLE BOTTOM COVER | X | - | - | - | - | - | - | - | X | X | - | - |
| 19 | 531765 | ARM TOP COVER MOUNTING BRACKET (RIGHT) | X | X | X | X | X | X | X | X | X | X | X | X |
| 20 | 113455-001 | ARM TOP COVER MOUNTING BRACKET SCREW | X | X | X | X | X | X | X | X | X | X | X | X |
| 21 | 356843-454 | ARM TOP COVER SHROUDER | X | X | X | X | X | X | X | X | X | X | X | X |
| 22 | 356127 | ARM TOP COVER SHROUDED RETAINING RING | X | X | X | X | X | X | X | X | X | X | X | X |

NOTE: PLEASE WHEN NEED THE PART(-----XXX), INDICATE THE MACHINE MODEL WHERE WILL BE USED.

COVERS & ADD-ONS



REV: _____
DATE: DEC/9R

**PART LIST
COVERS & ADD-ON:**

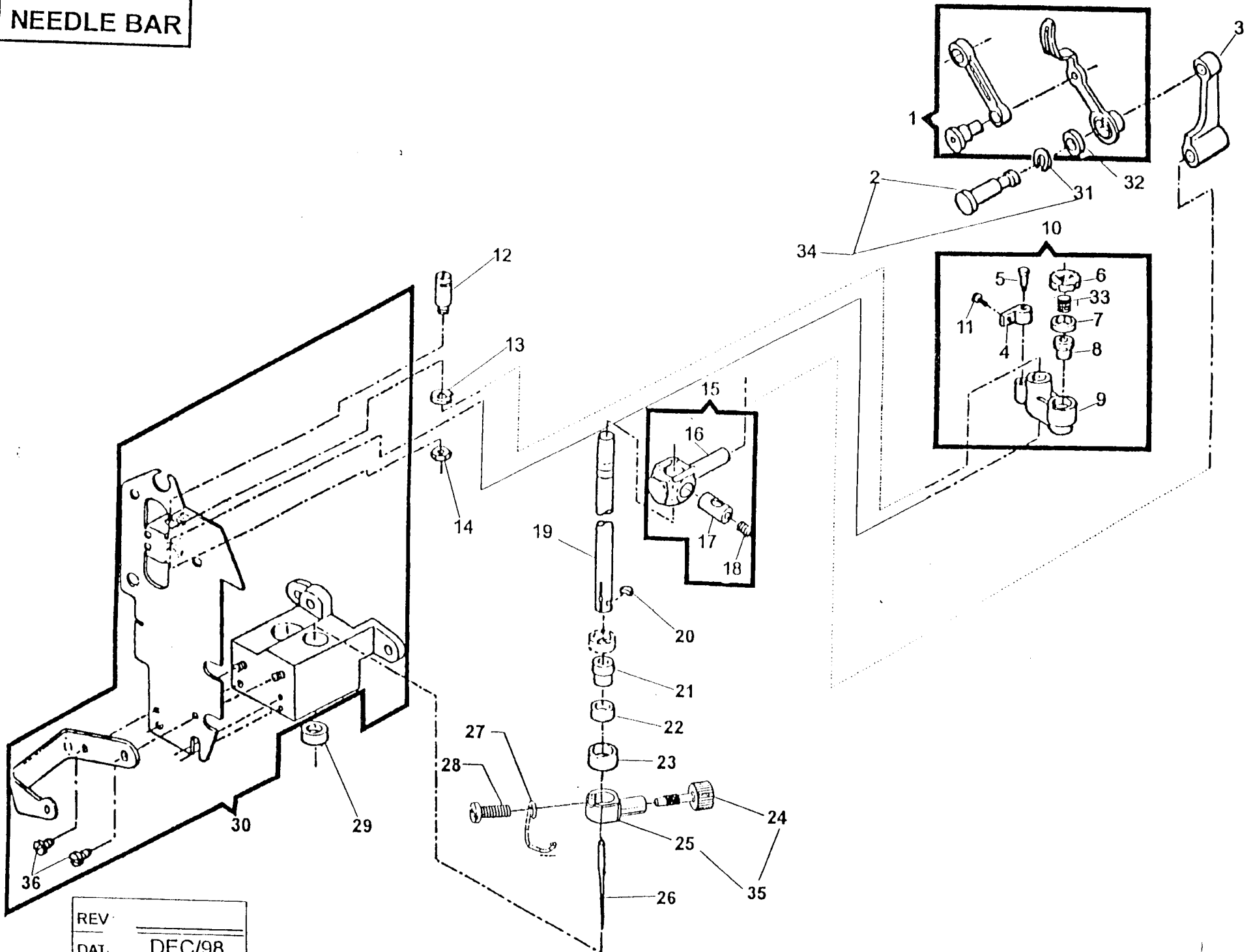
2 2 2 2 2 2 2 2 2 2 D 3 3 3 3
5 5 5 5 5 5 5 5 4 X 3 3 3 2
0 0 0 0 1 3 1 4 4 1 1 1 4 7
2 3 4 5 5 0 7 3 0 4 4 7 3 0

REF. PART NBR DESCRIPTION

| | | | | | | | | | | | | | | | |
|----|------------|---|---|---|---|---|---|---|---|---|---|---|---|---|---|
| 01 | 113455-001 | BED (BOTTOM) COVER FASTENING SCREW | X | X | X | X | X | X | X | X | X | X | X | X | X |
| 02 | 514608 | BED (BOTTOM) COVER FASTENING SCREW NUT | X | X | X | X | X | X | X | X | X | X | X | X | X |
| 03 | 353587-454 | BED (BOTTOM) COVER (PLASTIC) | X | X | X | X | X | X | X | X | X | X | X | X | X |
| 04 | 446493-453 | BED (TUBULAR) BOTTOM COVER (PLASTIC) | X | X | X | X | X | X | X | X | X | X | X | X | X |
| 05 | 354895-453 | BED (TUBULAR) BOTTOM COVER FASTENING SCREW | X | X | X | X | X | X | X | X | X | X | X | X | X |
| 06 | 531882-XXX | BED EXTENSION | X | X | X | X | X | X | - | X | - | X | X | - | - |
| 06 | 356027-XXX | BED EXTENSION | - | - | - | - | - | - | X | - | X | - | - | - | - |
| 06 | 446455-XXX | BED EXTENSION | - | - | - | - | - | - | - | X | - | - | - | - | - |
| 07 | 356757-XXX | ARM END COVER (USA/CANADA) | X | X | X | X | X | X | X | X | X | X | X | X | X |
| 08 | 354063-451 | ARM END COVER SCREW | X | X | X | X | X | X | X | X | X | X | X | X | X |
| 09 | 356879-XXX | FACE PLATE COMPLETE (WITH GRILL) FOR EUROPE | X | X | X | X | X | X | X | X | X | X | X | X | X |
| 09 | 356806-XXX | FACE PLATE COMPLETE | X | X | X | X | X | X | X | X | X | X | X | X | X |
| 10 | 354133-453 | FACE PLATE SCREW | X | X | X | X | X | X | X | X | X | X | X | X | X |

NOTE: PLEASE, WHEN NEED THE PART NUMBER(-----XXX), INDICATE MACHINE MODEL WHERE WILL BE USED.

NEEDLE BAR



REV: _____
DATE: DEC/98

**PART LIST
NEEDLE BAR**

2 2 2 2 2 2 2 2 2 2 D 3 3 3 3
5 5 5 5 5 5 5 5 4 X 3 3 3 2
0 0 0 0 1 3 1 4 4 1 1 1 4 7
2 3 4 5 5 0 7 3 0 4 4 7 3 0

EF. PART NBR DESCRIPTION

| | | | | | | | | | | | | | | |
|----|------------|---|---|---|---|---|---|---|---|---|---|---|---|---|
| 1 | 445672 | THREAD TAKE-UP LEVER COMPLETE | X | X | X | X | X | X | X | X | X | X | X | X |
| | 446260 | THREAD TAKE-UP STUD | X | X | X | X | X | X | X | X | X | X | X | X |
| 3 | 446357 | NEEDLE BAR CONNECTING LINK | X | X | X | X | X | X | X | X | X | X | X | X |
| 4 | 446190 | NEEDLE BAR DRIVING ARM HINGE BRACKET | X | X | X | X | X | X | X | X | X | X | X | X |
| 5 | 37935 | NEEDLE BAR DRIVING ARM HINGE BRACKET HINGE PIN | X | X | X | X | X | X | X | X | X | X | X | X |
| 6 | 353522 | NEEDLE BAR BALL BUSHING (UPPER) RETAINING RING | X | X | X | X | X | X | X | X | X | X | X | X |
| 7 | 507379 | NEEDLE BAR BALL BUSHING (UPPER) SOCKET (LOWER) | X | X | X | X | X | X | X | X | X | X | X | X |
| 8 | 446355-001 | NEEDLE BAR BALL BUSHING (UPPER) | X | X | X | X | X | X | X | X | X | X | X | X |
| 9 | 353521 | NEEDLE BAR VIVRATING BRACKET | X | X | X | X | X | X | X | X | X | X | X | X |
| 10 | 353520-001 | NEEDLE BAR VIBRATING BRACKET COMPLETE | X | X | X | X | X | X | X | X | X | X | X | X |
| 11 | 354826-451 | NEEDLE BAR DRIVING ARM HINGE BRACKET SCREW | X | X | X | X | X | X | X | X | X | X | X | X |
| 12 | 446359 | NEEDLE BAR VIBRATING BRACKET HINGE PIN | X | X | X | X | X | X | X | X | X | X | X | X |
| 13 | 445721 | NEEDLE BAR VIBRATING BRACKET HINGE PIN RETAINING RING | X | X | X | X | X | X | X | X | X | X | X | X |
| 14 | 357093-451 | NEEDLE BAR VIBRATING BRACKET HINGE PIN NUT | X | X | X | X | X | X | X | X | X | X | X | X |
| 15 | 353549-940 | NEEDLE BAR CONNECTING STUD WITH HINGE PIN | X | X | X | X | X | X | X | X | X | X | X | X |
| 16 | 353549 | NEEDLE BAR CONNECTING STUD | X | X | X | X | X | X | X | X | X | X | X | X |
| 17 | 37931 | NEEDLE BAR CONNECTING STUD HINGE PIN | X | X | X | X | X | X | X | X | X | X | X | X |
| 18 | 141918-833 | NEEDLE BAR CLAMPING SCREW | X | X | X | X | X | X | X | X | X | X | X | X |
| 19 | 445793 | NEEDLE BAR | X | X | X | X | X | X | X | X | X | X | X | X |
| 20 | 37943 | NEEDLE BAR GIB | X | X | X | X | X | X | X | X | X | X | X | X |
| 21 | 446355-001 | NEEDLE BAR BALL BUSHING (LOWER) | X | X | X | X | X | X | X | X | X | X | X | X |
| 22 | 507379 | NEEDLE BAR BALL BUSHING (LOWER) SOCKET | X | X | X | X | X | X | X | X | X | X | X | X |
| 23 | 446361-001 | NEEDLE BAR BALL BUSHING (LOWER) ADJUSTING COLLAR | X | X | X | X | X | X | X | X | X | X | X | X |
| 24 | 355248-451 | NEEDLE THUMB SCREW | X | X | X | X | X | X | X | X | X | X | X | X |
| 25 | 357429 | NEEDLE CLAMP BODY | X | X | X | X | X | X | X | X | X | X | X | X |
| 26 | 204514-100 | NEEDLE 2045 SIZE 14 | X | X | X | X | X | X | X | X | X | X | X | X |
| 27 | 357421 | NEEDLE CLAMP THREAD GUIDE | X | X | X | X | X | X | X | X | X | X | X | X |
| 28 | 141920-453 | NEEDLE CLAMP BODY, NEEDLE. CLAMP THREAD GUIDE & NEEDLE STOP SCREW | X | X | X | X | X | X | X | X | X | X | X | X |
| 29 | 44450 | NEEDLE BAR BALL BUSHING (LOWER) SOCKET (UPPER) | X | X | X | X | X | X | X | X | X | X | X | X |
| 30 | 357360 | NEEDLE BAR, PRESSER BAR & VIBRATING BRACKET HOUSING ASSEMBLY | X | X | X | X | X | X | X | X | X | X | X | X |

**PART LIST
NEEDLE BAR(CONT.)**

2 2 2 2 2 2 2 2 2 D 3 3 3 3
 5 5 5 5 5 5 5 5 4 X 3 3 3 2
 0 0 0 0 1 3 1 4 4 1 1 1 4 7
 2 3 4 5 5 0 7 3 0 4 4 7 3 0

F. PART NBR DESCRIPTION

| | | | | | | | | | | | | | | | |
|---|------------|--|---|---|---|---|---|---|---|---|---|---|---|---|---|
| 1 | 445486 | THREAD TAKE-UP STUD RETAINING RING | X | X | X | X | X | X | X | X | X | X | X | X | X |
| 2 | 543531 | THREAD TAKE-UP STUD THRUST WASHER | X | X | X | X | X | X | X | X | X | X | X | X | X |
| 3 | 353424 | NEEDLE BAR BALL BUSHING (UPPER) WAVED WASHER | X | X | X | X | X | X | X | X | X | X | X | X | X |
| 4 | 446261 | THREAD TAKE-UP STUD WITH RING | X | X | X | X | X | X | X | X | X | X | X | X | X |
| 5 | 357430 | NEEDLE CLAMP BODY WITH SCREW | X | X | X | X | X | X | X | X | X | X | X | X | X |
| 6 | 113480-451 | NEEDLE BAR, PRESSER BAR & VIBRATING BRACKET HOUSING PLATE MOUNTING SCREW | X | X | X | X | X | X | X | X | X | X | X | X | X |

EF.

NEW

IN REPLACE OF

DATE

357360

356599

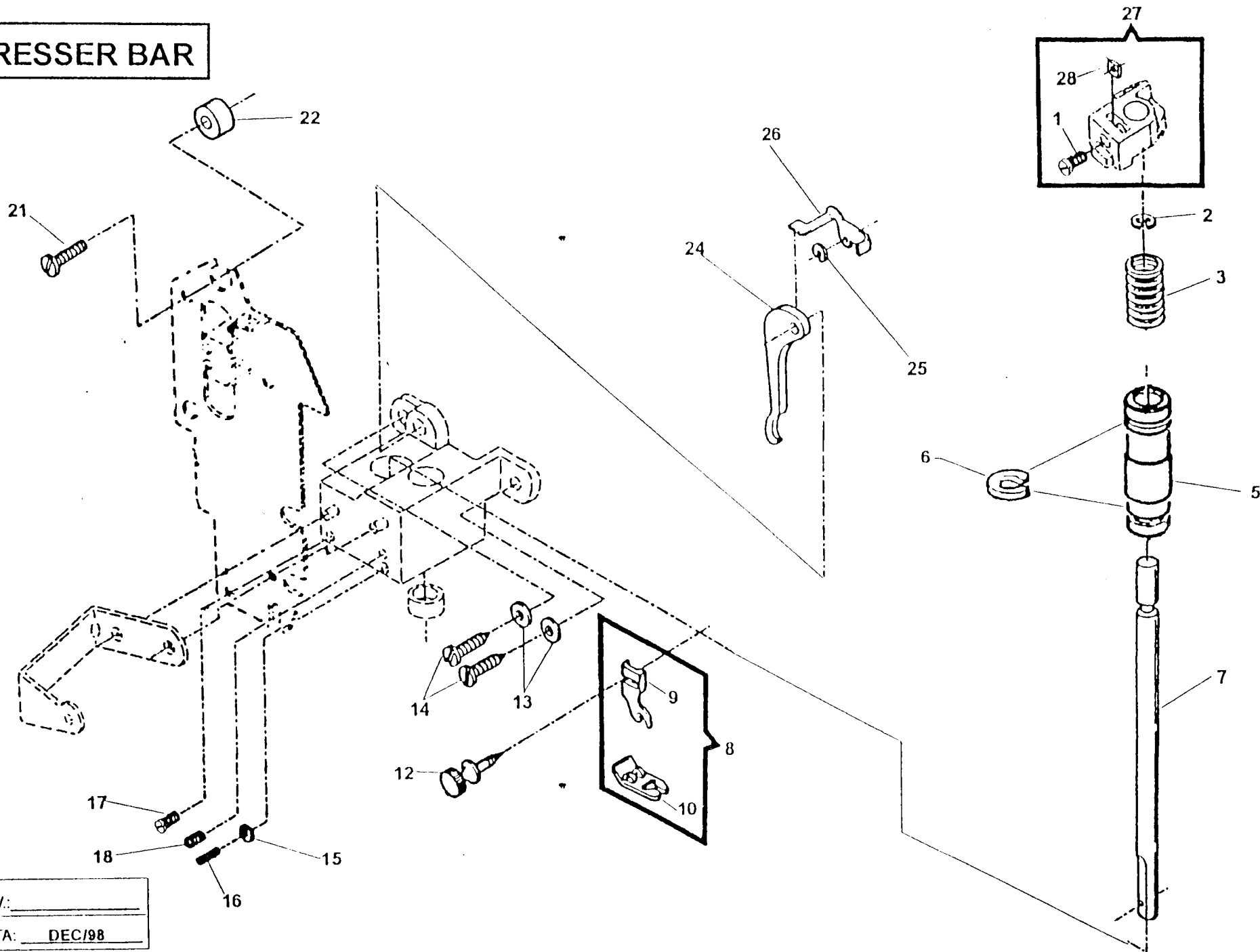
26/01/1998

PART LIST

500 series.
 .J 357672-001

Adopt.

PRESSER BAR



REV: _____
DATA: DEC/98

**PART LIST
PRESSER BAR**

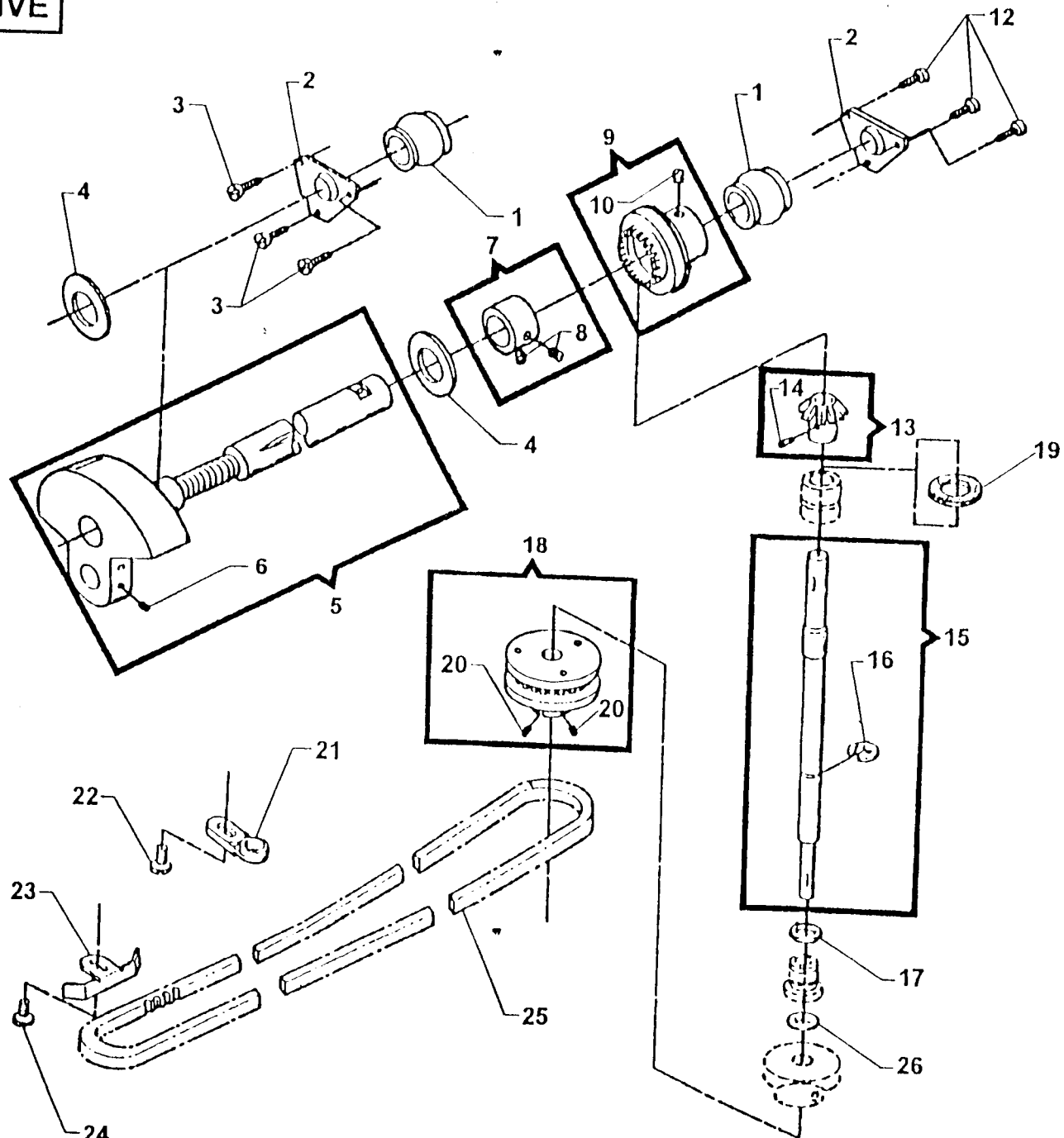
2 2 2 2 2 2 2 2 2 2 D 3 3 3 3
5 5 5 5 5 5 5 5 4 X 3 3 3 2
0 0 0 0 1 3 1 4 4 1 1 1 4 7
2 3 4 5 5 0 7 3 0 4 4 7 3 0

REF. PART NBR DESCRIPTION

| | | | | | | | | | | | | | | | | | |
|----|------------|--|---|---|---|---|---|---|---|---|---|---|---|---|---|---|---|
| 01 | 355279-451 | PRESSER BAR GUIDE BRACKET SET SCREW | X | X | X | X | X | X | X | X | X | X | X | X | X | X | X |
| 02 | 353215 | PRESSER BAR SPRING RETAINING RING (UPPER) | X | X | X | X | X | X | X | X | X | X | X | X | X | X | X |
| 03 | 357362 | PRESSER BAR SPRING | X | X | X | X | X | X | X | X | X | X | X | X | X | X | X |
| 05 | 445947-001 | PRESSER BAR BUSHING | X | X | X | X | X | X | X | X | X | X | X | X | X | X | X |
| 06 | 357604 | PRESSER BAR BUSHING LOCATING RING | X | X | X | X | X | X | X | X | X | X | X | X | X | X | X |
| 07 | 357602 | PRESSER BAR | X | X | X | X | X | X | X | X | X | X | X | X | X | X | X |
| 08 | 446372 | PRESSER FOOT (SNAP-ON) COMPLETE FOR ZIG-ZAG SEWING | X | X | X | X | X | X | X | X | X | X | X | X | X | X | X |
| 09 | 155964 | PRESSER FOOT SHANK (SNAP-ON) | X | X | X | X | X | X | X | X | X | X | X | X | X | X | X |
| 10 | 446371 | PRESSER FOOT PLATE (SNAP-ON) FOR ZIG-ZAG SEWING | X | X | X | X | X | X | X | X | X | X | X | X | X | X | X |
| 12 | 354135-452 | PRESSER FOOT THUMB SCREW | X | X | X | X | X | X | X | X | X | X | X | X | X | X | X |
| 1. | 353375-451 | NEEDLE BAR, PRESSER BAR & VIBRATING BRACKET HOUSING MOUNTING SCREW (LOWER) WASHER | X | X | X | X | X | X | X | X | X | X | X | X | X | X | X |
| 14 | 113434-451 | NEEDLE BAR, PRESSER BAR & VIBRATING BRACKET HOUSING MOUNTING SCREW (LOWER) | X | X | X | X | X | X | X | X | X | X | X | X | X | X | X |
| 15 | 54591-451 | NEEDLE BAR OVER THROW SET SCREW NUT | X | X | X | X | X | X | X | X | X | X | X | X | X | X | X |
| 16 | 354993-451 | NEEDLE BAR OVER THROW SET SCREW | X | X | X | X | X | X | X | X | X | X | X | X | X | X | X |
| 17 | 354906-451 | PRESSER BAR BUSHING SET SCREW | X | X | X | X | X | X | X | X | X | X | X | X | X | X | X |
| 18 | 355279-451 | NEEDLE BAR BALL BUSHING (LOWER) ADJUSTING COLLAR SET SCREW | X | X | X | X | X | X | X | X | X | X | X | X | X | X | X |
| 21 | 113455-009 | NEEDLE BAR & PRESSER BAR VIBRATING BRACKET HOUSING MOUNTING SCREW (UPPER) | X | X | X | X | X | X | X | X | X | X | X | X | X | X | X |
| 22 | 531627 | NEEDLE BAR, PRESSER BAR & VIBR.BRAC. HOUS. MOUNTING BUSHING | X | X | X | X | X | X | X | X | X | X | X | X | X | X | X |
| 24 | 356170-451 | PRESSER BAR LIFTER | X | X | X | X | X | X | X | X | X | X | X | X | X | X | X |
| 25 | 445486 | TENSION RELEASING LEVER RETAINING RING | X | X | X | X | X | X | X | X | X | X | X | X | X | X | X |
| 26 | 445925 | TENSION RELEASING LEVER | X | X | X | X | X | X | X | X | X | X | X | X | X | X | X |
| 27 | 357363 | PRESSER BAR GUIDE BRACKET ASSEMBLY | X | X | X | X | X | X | X | X | X | X | X | X | X | X | X |
| 28 | 353367-451 | PRESSER BAR GUIDE BRACKET NUT | X | X | X | X | X | X | X | X | X | X | X | X | X | X | X |

| <u>REF.</u> | <u>NEW</u> | <u>N REPLACE OF</u> | <u>DATE</u> |
|-------------|------------|---------------------|-------------|
| 01 | 141938-833 | 141925-833 | 01/26/1998 |
| 04 | 353252-000 | 357604 | 01/26/1998 |
| 03 | 357362 | 353214 | 01/26/1998 |
| 07 | 357602 | 314638 | 01/26/1998 |
| 18 | 355279-451 | 141938-833 | 01/26/1998 |
| 24 | 356170-451 | 446356 | 02/08/1998 |
| 27 | 357363 | 353212 | 01/26/1998 |

ARM SHAFT DRIVE



REV: _____
DATE: DEC/98

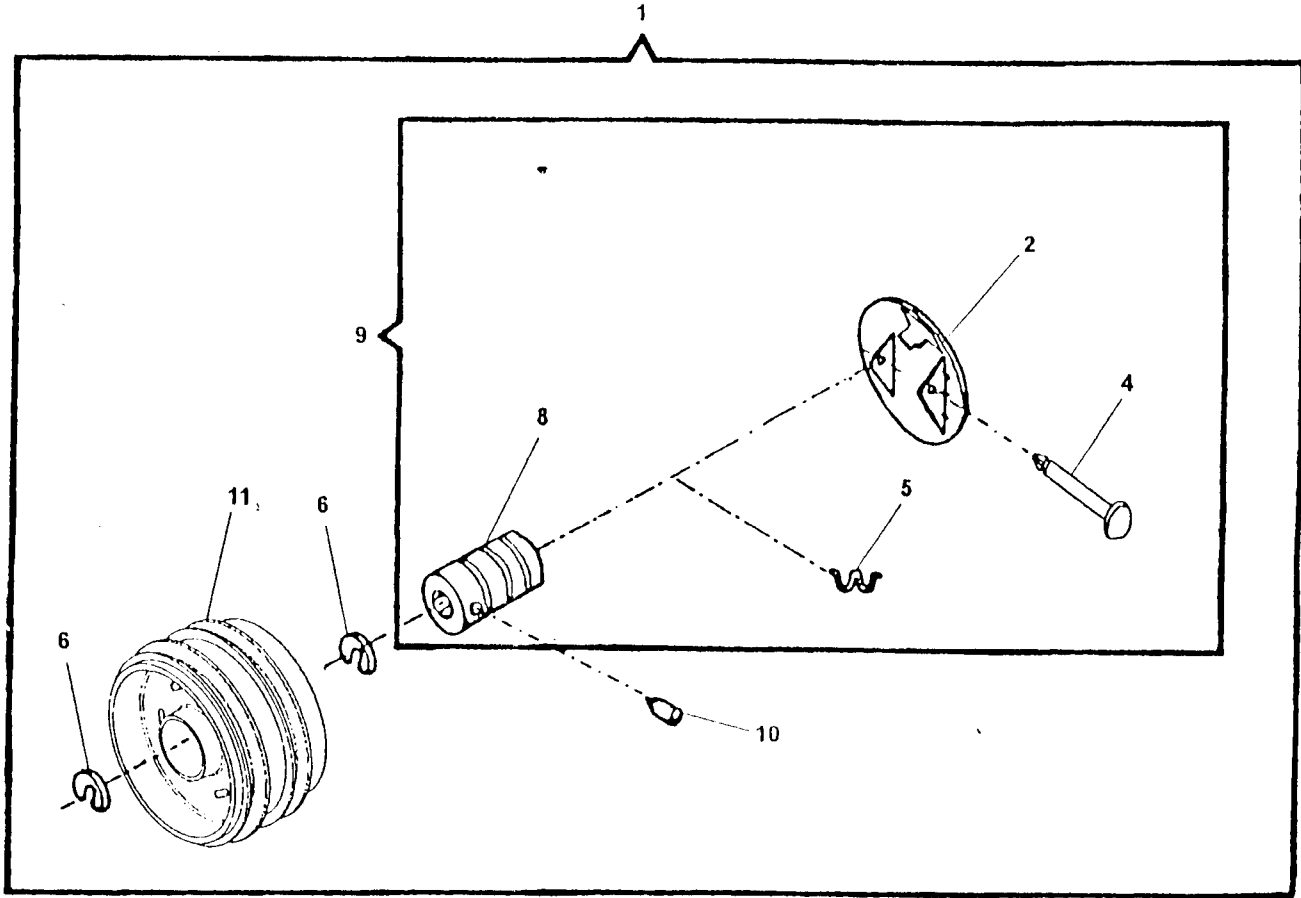
PARTS LIST
ARM SHAFT DRIVE

2 2 2 2 2 2 2 2 2 D 3 3 3 3
5 5 5 5 5 5 5 5 4 X 3 3 3 2
0 0 0 0 1 3 1 1 4 1 1 1 4 7
2 3 4 5 5 0 7 3 0 4 4 7 3 0

EF. PART NBR DESCRIPTION

| | | | | | | | | | | | | | | |
|------------|---|---|---|---|---|---|---|---|---|---|---|---|---|---|
| 446384 | ARM SHAFT BUSHING (FRONT) | X | X | X | X | X | X | X | X | X | X | X | X | X |
| 446385 | ARM SHAFT BUSHING (FRONT) RETAINING BRACKET | X | X | X | X | X | X | X | X | X | X | X | X | X |
| 113455-001 | ARM SHAFT BUSHING (FRONT) RETAINING BRACKET SCREW | X | X | X | X | X | X | X | X | X | X | X | X | X |
| 319764 | ARM SHAFT (HORIZONTAL) RETAINING COLLAR WASHER | X | X | X | X | X | X | X | X | X | X | X | X | X |
| 531684 | ARM SHAFT COMPLETE | X | X | X | X | X | X | X | X | X | X | X | X | X |
| 354105-833 | NEEDLE BAR CRANK POSITION SET SCREW | X | X | X | X | X | X | X | X | X | X | X | X | X |
| 353580 | ARM SHAFT (HORIZONTAL) RETAINING COLLAR | X | X | X | X | X | X | X | X | X | X | X | X | X |
| 113500-451 | ARM SHAFT (HORIZONTAL) RETAINING COLLAR SET SCREW | X | X | X | X | X | X | X | X | X | X | X | X | X |
| 353272 | ARM SHAFT (HORIZONTAL) BEVEL GEAR & FEED LIFTING (ECCENTRIC) COMPLETE | X | X | X | X | X | X | X | X | X | X | X | X | X |
| 354813-451 | ARM SHAFT (HORIZONTAL) BEVEL GEAR & FEED LIFTING (ECCENTRIC) SET SCREW | X | X | X | X | X | X | X | X | X | X | X | X | X |
| 353413 | ARM SHAFT (HORIZONTAL) BEVEL GEAR & FEED LIFTING (ECCENTRIC) WASHER (PLASTIC) | X | X | X | X | X | X | X | X | X | X | X | X | X |
| 113455-001 | ARM SHAFT BUSHING (REAR) RETAINING BRACKET SCREW | X | X | X | X | X | X | X | X | X | X | X | X | X |
| 353273-002 | ARM SHAFT (UPRIGHT) BEVEL GEAR (PLASTIC) | X | X | X | X | X | X | X | X | X | X | X | X | X |
| 354105-833 | ARM SHAFT (UPRIGHT) BEVEL GEAR SET SCREW | X | X | X | X | X | X | X | X | X | X | X | X | X |
| 179952-002 | ARM SHAFT (UPRIGHT) ASSEMBLY | X | X | X | X | X | X | X | X | X | X | X | X | X |
| 353215 | ARM SHAFT (UPRIGHT) RETAINING RING | X | X | X | X | X | X | X | X | X | X | X | X | X |
| 353394 | ARM SHAFT (UPRIGHT) RETAINING RING WASHER | X | X | X | X | X | X | X | X | X | X | X | X | X |
| 353438-001 | ARM SHAFT (UPRIGHT) BELT DRIVE PULLEY | X | X | X | X | X | X | X | X | X | X | X | X | X |
| 356819 | ARM SHAFT (UPRIGHT) BELT WASHER | X | X | X | X | X | X | X | X | X | X | X | X | X |
| 354906-451 | ARM SHAFT (UPRIGHT) BELT DRIVE PULLEY RETAINING COLAR SET SCREW | X | X | X | X | X | X | X | X | X | X | X | X | X |
| 531630 | ROTATING HOOK DRIVE BELT TENSION ADJUSTER | X | X | X | X | X | X | X | X | X | X | X | X | X |
| 113453-003 | ROTATING HOOK DRIVE BELT TENSIONER SCREW | X | X | X | X | X | X | X | X | X | X | X | X | X |
| 446376 | BELT RETAINER (LEFT) | X | X | X | X | X | X | X | X | X | X | X | X | X |
| 113455-001 | BELT RETAINER (LEFT) SCREW | X | X | X | X | X | X | X | X | X | X | X | X | X |
| 446237 | BELT (ROTATING HOOK DRIVE) | X | X | X | X | X | X | X | X | X | X | X | X | X |
| 319826 | ARM SHAFT (UPRIGHT) BELT DRIVE PULLEY WASHER | X | X | X | X | X | X | X | X | X | X | X | X | X |

HAND WHEEL



REV: _____
DATE: DEC/98

**PART LIST
HAND WHEEL**

2 2 2 2 2 2 2 2 2 2 D 3 3 3 3
 5 5 5 5 5 5 5 5 4 X 3 3 3 2
 0 0 0 0 1 3 1 4 4 1 1 1 4 7
 2 3 4 5 5 0 7 3 0 4 4 7 3 0

REF. PART NBR DESCRIPTION

| | | | | | | | | | | | | | | |
|----|------------|--|---|---|---|---|---|---|---|---|---|---|---|---|
| 01 | 357395-451 | HAND WHEEL (PLASTIC) COMPLETE | X | X | X | X | X | X | X | X | X | X | X | X |
| 02 | 357367-901 | HAND WHEEL DISENGAGING CLUTCH ENGAGING PLATE COVER | X | X | X | X | X | X | X | X | X | X | X | X |
| 04 | 357364 | HAND WHEEL DISENGAGING CLUTCH ENGAGING PLATE HINGE PIN | X | X | X | X | X | X | X | X | X | X | X | X |
| 05 | 357365 | HAND WHEEL DISENGAGING CLUTCH ACTUATING SPRING | X | X | X | X | X | X | X | X | X | X | X | X |
| 06 | 446387 | HAND WHEEL RETAINING RING (TREADLE/ELECTRIC) | X | X | X | X | X | X | X | X | X | X | X | X |
| 08 | 357359 | HAND WHEEL DISENGAGING CLUTCH BUSHING | X | X | X | X | X | X | X | X | X | X | X | X |
| 09 | 357368-452 | HAND WHEEL DISENGAGING CLUTCH BUSHING COMPLETE | X | X | X | X | X | X | X | X | X | X | X | X |
| 10 | 354813-451 | HAND WHEEL DISENGAGING CLUTCH BUSHING SCREW | X | X | X | X | X | X | X | X | X | X | X | X |
| 11 | 357396-451 | HAND WHEEL (PLASTIC) | X | X | X | X | X | X | X | X | X | X | X | X |

REF.

NEW

IN REPLACE OF

DATE

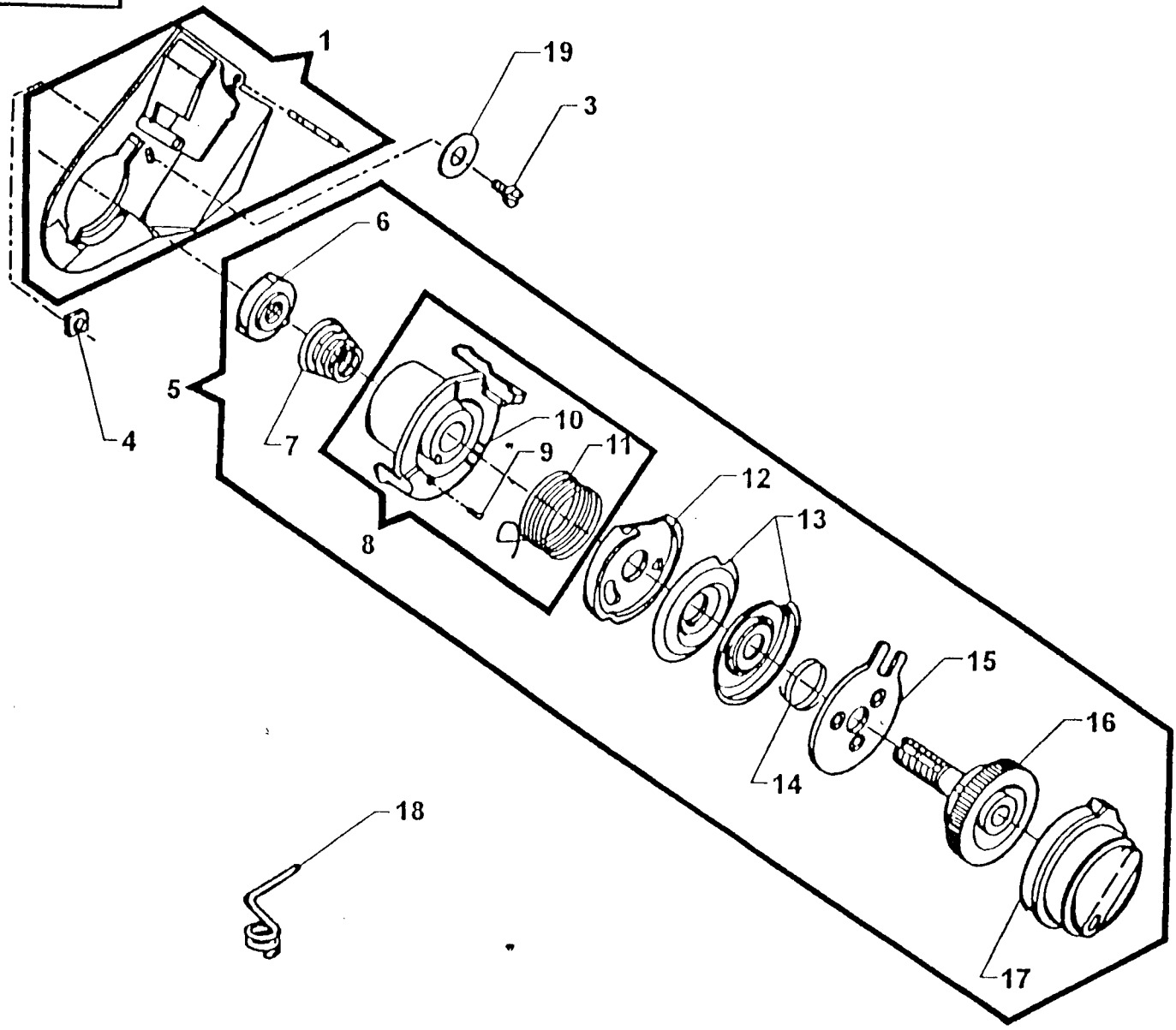
6,
11

356581-452
356582-452

357396-451
357396-451

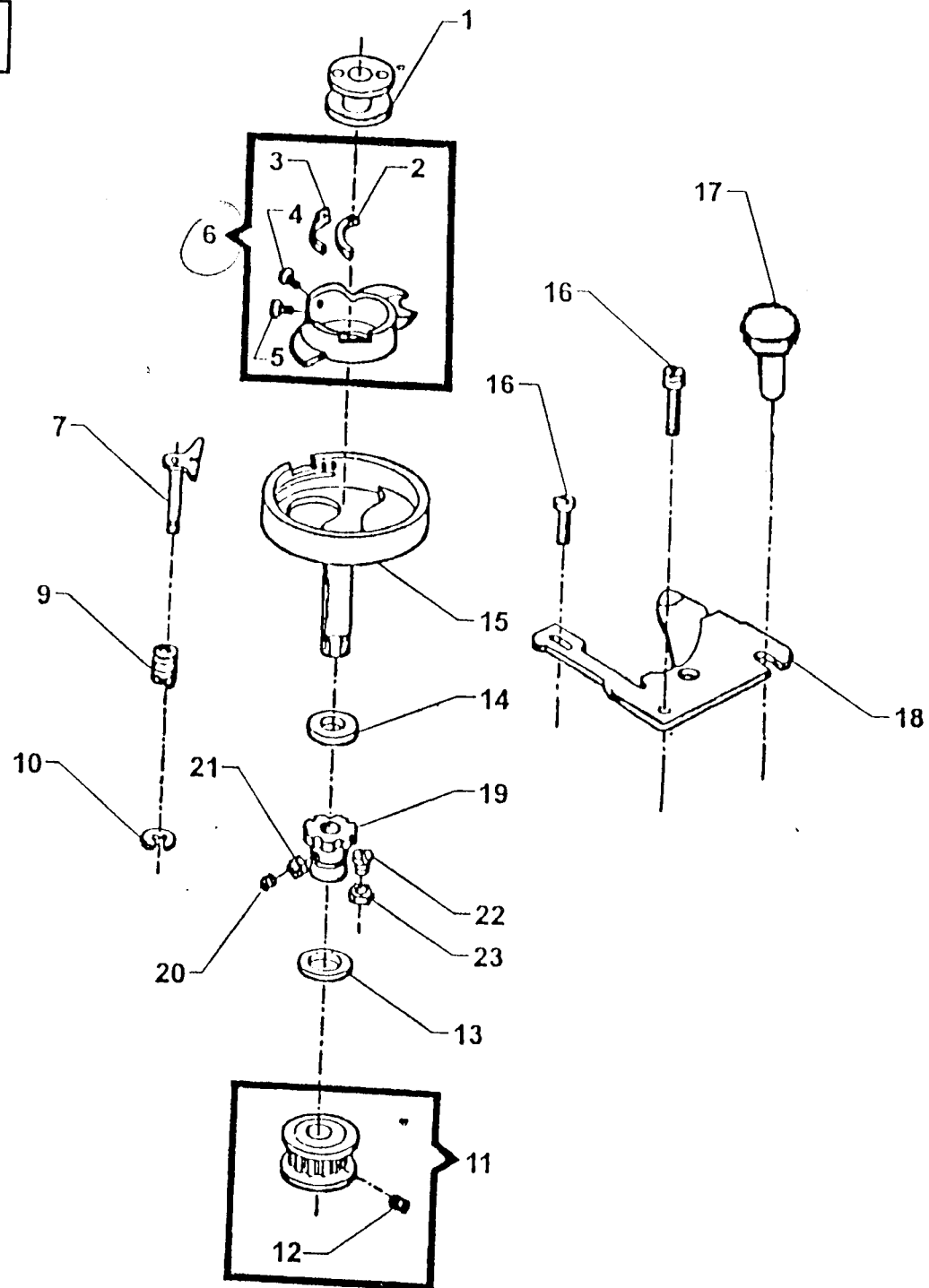
02/05/1996
02/05/1996

TENSION MECHANISM



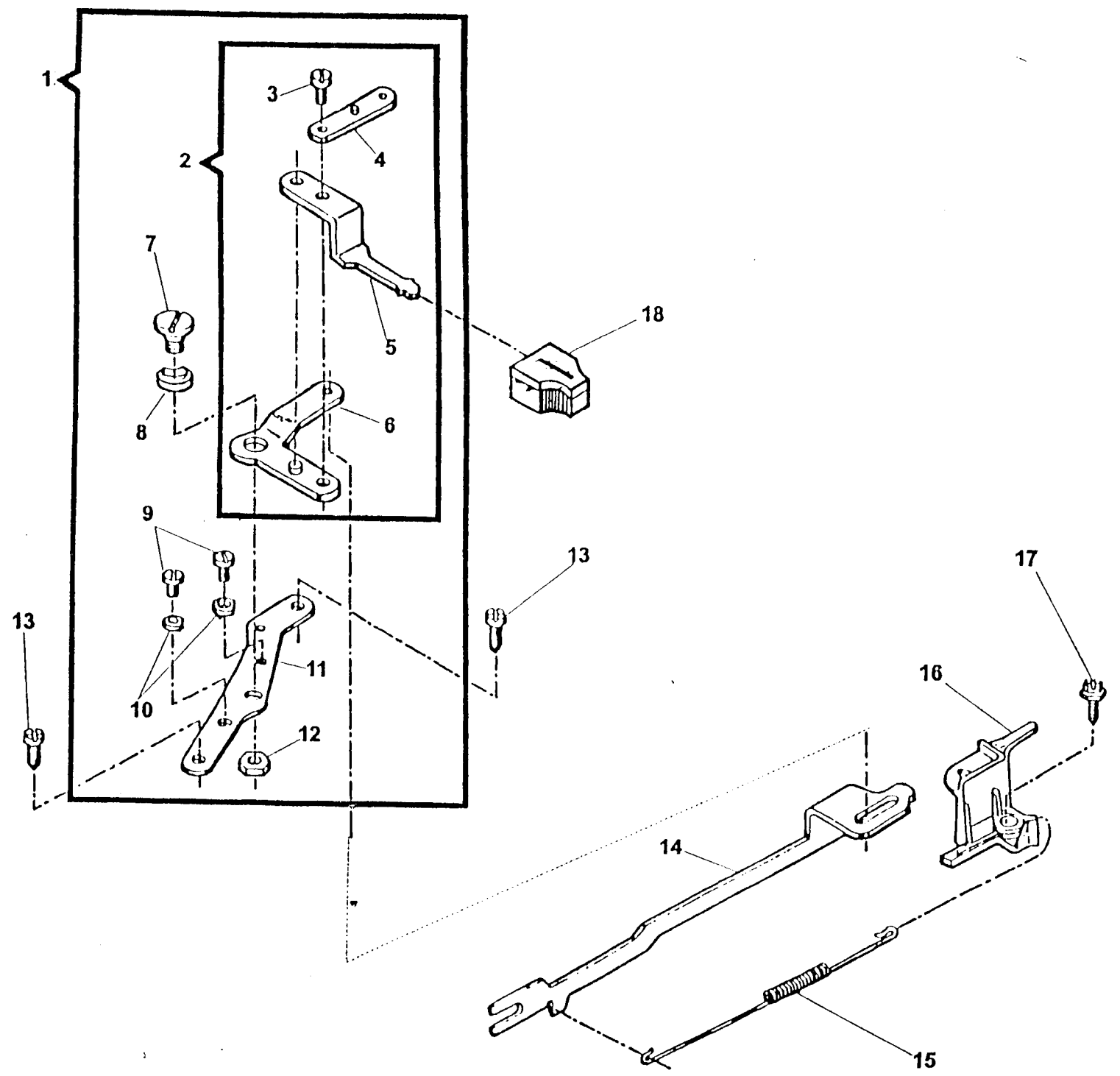
REV: _____
DATA: DEC/98

ROTATING HOOK



REV: _____
DATA: DEC/98

BIGHT AMPLITUDE



REV: _____
DATA: DEC/98

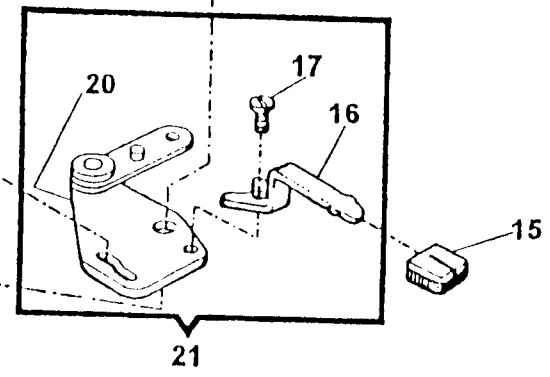
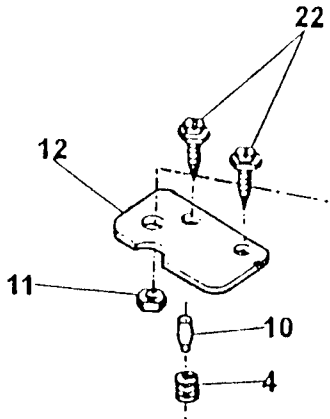
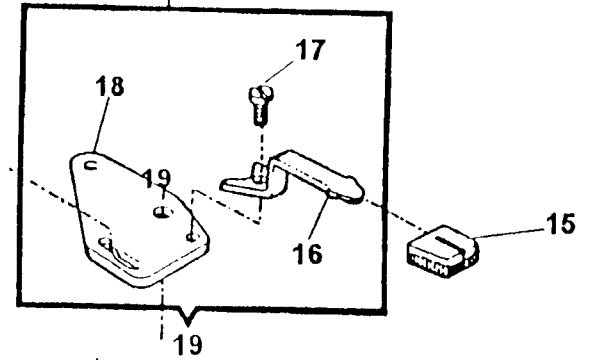
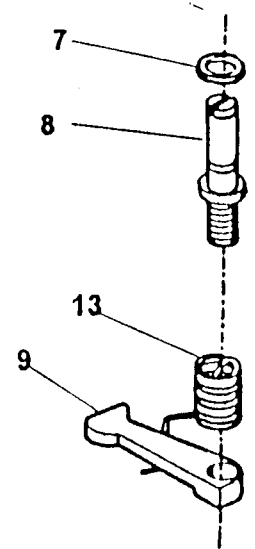
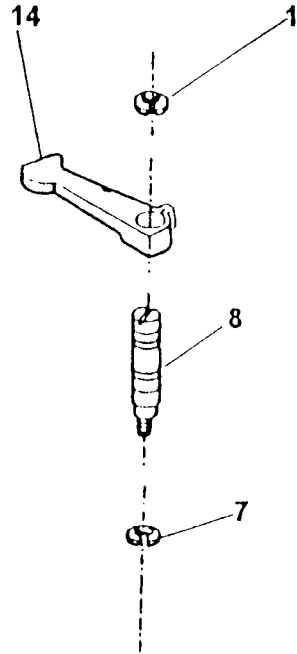
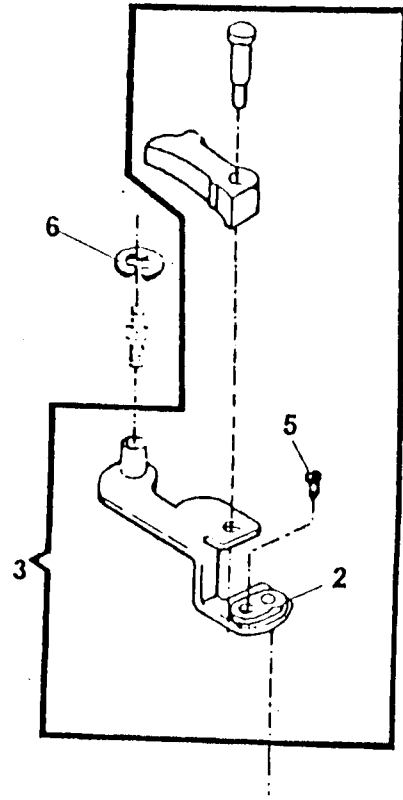
**PART LIST
BIGHT AMPLITUDE**

**2 2 2 2 2 2 2 2 2 2 D 3 3 3 3
5 5 5 5 5 5 5 5 4 X 3 3 3 2
0 0 0 0 1 3 1 4 4 1 1 1 4 7
2 3 4 5 5 0 7 3 0 4 4 7 3 0**

REF. PART NBR DESCRIPTION

| | | | | | | | | | | | | | | | |
|------------|--|---|---|---|---|---|---|---|---|---|---|---|---|---|---|
| 446398 | BIGHT AMPLITUDE CONTROL LEVER MOUNTING BRACKET COMPLETE | X | X | - | X | - | - | X | - | X | X | X | X | - | - |
| 179893 | BIGHT AMPLITUDE CONTROL LEVER MOUNTING BRACKET COMPLETE | - | - | X | - | X | X | - | X | - | - | - | - | X | X |
| 446395 | BIGHT AMPLITUDE CONTROL LEVER SUB-ASSEMBLY | X | X | - | X | - | - | X | - | X | X | X | X | - | - |
| 446342 | BIGHT AMPLITUDE CONTROL LEVER SUB-ASSEMBLY | - | - | X | - | X | X | - | X | - | - | - | - | X | X |
| 141913-451 | BIGHT AMPLITUDE CONTROL LEVER SCREW | X | X | - | X | - | - | X | - | X | X | X | X | - | - |
| 139866-451 | BIGHT AMPLITUDE CONTROL LEVER SCREW | - | - | X | - | X | X | - | X | - | - | - | - | X | X |
| 44556 | BUTTONHOLER BIGHT CONTROL CAM FOLLOWER LEVER LINK (LEFT) | - | - | X | - | X | X | - | X | - | - | - | - | X | X |
| 446394 | BIGHT AMPLITUDE CONTROL LEVER | X | X | X | X | X | X | X | X | X | X | X | X | X | X |
| 37246 | BIGHT AMPLITUDE CONTROL LEVER LINK | X | X | X | X | X | X | X | X | X | X | X | X | X | X |
| 354825-451 | BIGHT AMPLITUDE CONTROL LEVER LINK HINGE SCREW | X | X | X | X | X | X | X | X | X | X | X | X | X | X |
| 49204 | BIGHT AMPLITUDE CONTROL LEVER LINK HINGE SCREW FRICTION WASHER | X | X | X | X | X | X | X | X | X | X | X | X | X | X |
| 141913-451 | BIGHT AMPLITUDE CONTROL LEVER LINK STOP SCREW | X | X | X | X | X | X | X | X | X | X | X | X | X | X |
| 446904 | BIGHT AMPLITUDE CONTROL LEVER LINK STOP | X | X | X | X | X | X | X | X | X | X | X | X | X | X |
| 531793 | BIGHT AMPLITUDE CONTROL LEVER MOUNTING BRACKET | X | X | X | X | X | X | X | X | X | X | X | X | X | X |
| 54591-451 | BIGHT AMPLITUDE CONTROL LEVER LINK HINGE SCREW NUT | X | X | X | X | X | X | X | X | X | X | X | X | X | X |
| 113455-001 | BIGHT AMPLITUDE CONTROL LEVER MOUNTING BRACKET SCREW | X | X | X | X | X | X | X | X | X | X | X | X | X | X |
| 37933-002 | NEEDLE BAR DRIVING ARM | X | X | X | X | X | X | X | X | X | X | X | X | X | X |
| 37942 | NEEDLE BAR DRIVING ARM TENSION SPRING | X | X | X | X | X | X | X | X | X | X | X | X | X | X |
| 445780 | LIGHT LEAD SHIELD & NEEDLE BAR DRIVING ARM TENSION SPRING MOUNTING PLATE | X | X | X | X | X | X | X | X | X | X | X | X | X | X |
| 113455-009 | LIGHT LEAD SHIELD & NEEDLE BAR DRIVING ARM TENSION SPRING MOUNTING PLATE SCREW | X | X | X | X | X | X | X | X | X | X | X | X | X | X |
| 356981-452 | BIGHT AMPLITUDE CONTROL LEVER KNOB (PLASTIC) (GRAY) | X | X | X | X | X | X | X | X | X | X | X | X | X | X |

NEEDLE POSITION



REV: _____
DATE: DEC/98

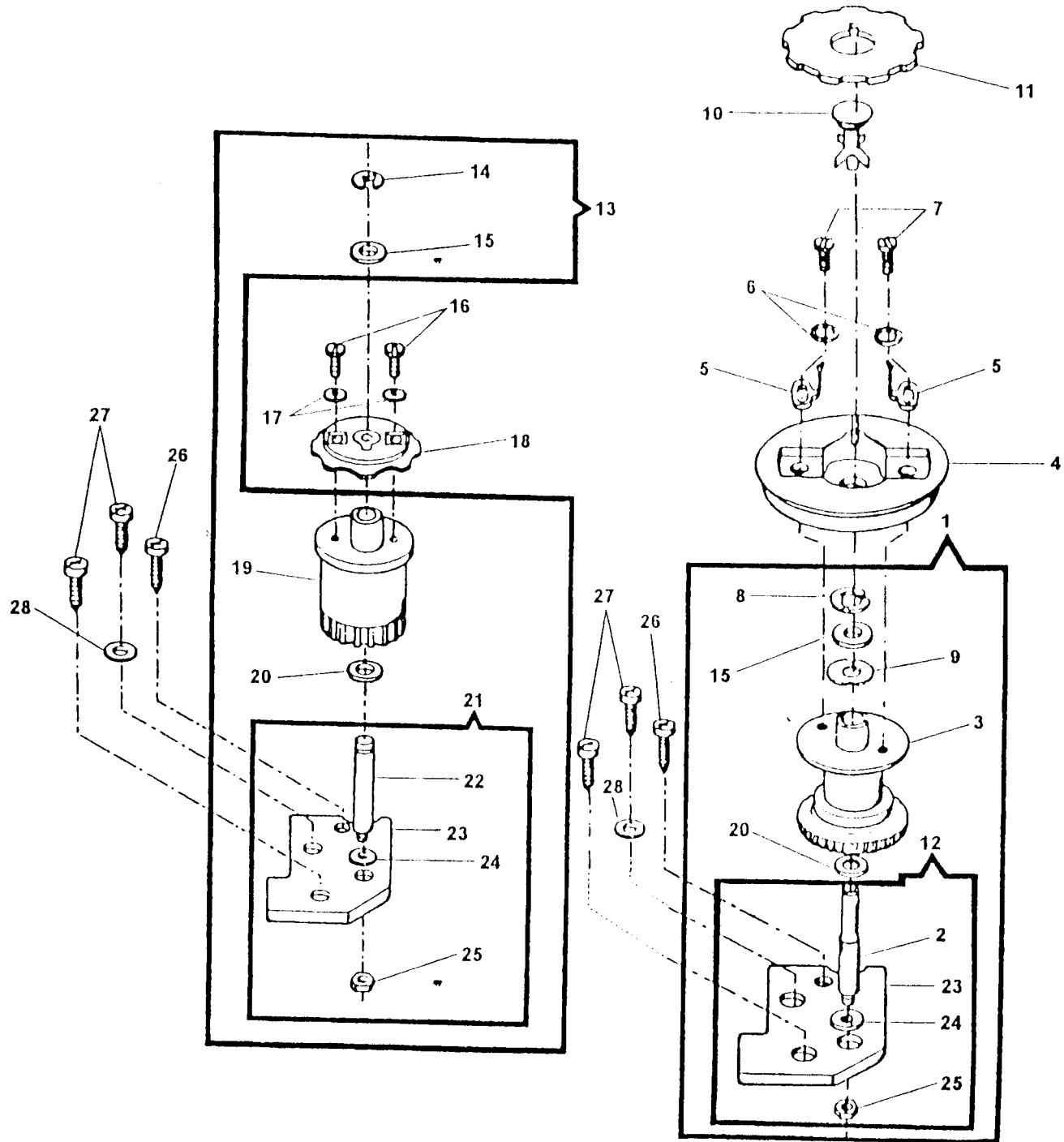
PART LIST
NEEDLE POSITION

2 2 2 2 2 2 2 2 2 2 D 3 3 3 3
5 5 5 5 5 5 5 5 4 X 3 3 3 2
0 0 0 0 1 3 1 4 4 1 1 1 4 7
2 3 4 5 5 0 7 3 0 4 4 7 3 0

REF. PART NBR DESCRIPTION

| | | | | | | | | | | | | | | | | |
|----|------------|---|---|---|---|---|---|---|---|---|---|---|---|---|---|---|
| 01 | 44371 | DISC FOLLOWER STUD RETAINING RING (UPPER) | X | - | - | - | - | - | - | - | - | X | X | - | - | - |
| 02 | 531736 | NEEDLE POSITION SELECTOR BRACKET FOLLOWER STUD ARM ASSEMBLY | X | X | X | X | X | X | X | X | X | X | X | X | X | X |
| 03 | 356636 | NEEDLE BAR DRIVING ARM SLIDE BRACKET COMPLETE | X | X | X | X | X | X | X | X | X | X | X | X | X | X |
| 04 | 444800 | NEEDLE POSITION SELECTOR LEVER BRACKET POSITIONING PIN SPRING | X | X | X | X | X | X | X | X | X | X | X | X | X | X |
| 05 | 141913-451 | NEEDLE POSITION LEVER BRACKET STUD ARM SET SCREW | X | X | X | X | X | X | X | X | X | X | X | X | X | X |
| 06 | 445721 | NEEDLE BAR DRIVING ARM SLIDE BRACKET RETAINING RING | X | X | X | X | X | X | X | X | X | X | X | X | X | X |
| 07 | 44371 | DISC FOLLOWER STUD RETAINING RING (LOWER) | X | X | X | X | X | X | X | X | X | X | X | X | X | X |
| 08 | 446023 | DISC FOLLOWER STUD | X | X | X | X | X | X | X | X | X | X | X | X | X | X |
| 09 | 445646 | DISC FOLLOWER | X | X | X | X | X | X | X | X | X | X | X | X | X | X |
| 10 | 356228 | NEEDLE POSITION SELECTOR LEVER BRACKET POSITIONING PIN | X | X | X | X | X | X | X | X | X | X | X | X | X | X |
| 11 | 54591-451 | DISC FOLLOWER STUD NUT | X | X | X | X | X | X | X | X | X | X | X | X | X | X |
| 12 | 446401 | NEEDLE POSITION SELECTOR LEVER MOUNTING PLATE | - | X | X | X | X | X | X | X | - | - | X | X | X | X |
| 13 | 356904 | DISC FOLLOWER SPRING | X | - | - | - | - | - | - | - | - | X | X | - | - | - |
| 14 | 445646 | DISC FOLLOWER | X | X | X | X | X | X | X | X | X | X | X | X | X | X |
| 15 | 356961-452 | NEEDLE POSITION SELECTOR LEVER KNOB (PLASTIC) (GRAY) | X | X | X | X | X | X | X | X | X | X | X | X | X | X |
| 16 | 446397 | NEEDLE POSITION SELECTOR LEVER | X | X | X | X | X | X | X | X | X | X | X | X | X | X |
| 17 | 141913-451 | NEEDLE POSITION SELECTOR LEVER SCREW | X | X | X | X | X | X | X | X | X | X | X | X | X | X |
| 18 | 353547 | NEEDLE POSITION SELECTOR LEVER BRACKET | X | X | - | - | - | - | - | - | - | X | X | - | - | - |
| 19 | 446399 | NEEDLE POSITION SELECTOR LEVER ASSEMBLY | X | X | - | - | - | - | - | - | - | X | X | - | - | - |
| 20 | 44628 | NEEDLE POSITION SELECTOR LEVER BRACKET ASSEMBLY | - | - | X | X | X | X | X | X | - | - | X | X | X | X |
| 21 | 446400 | NEEDLE POSITION SELECTOR LEVER BRACKET COMPLETE | - | - | X | X | X | X | X | X | - | - | X | X | X | X |
| 22 | 113455-001 | NEEDLE POSITION SELECTOR LEVER MOUNTING PLATE SCREW | X | X | X | X | X | X | X | X | X | X | X | X | X | X |

CAM STACK



REV.: _____
DATE: DEC/98

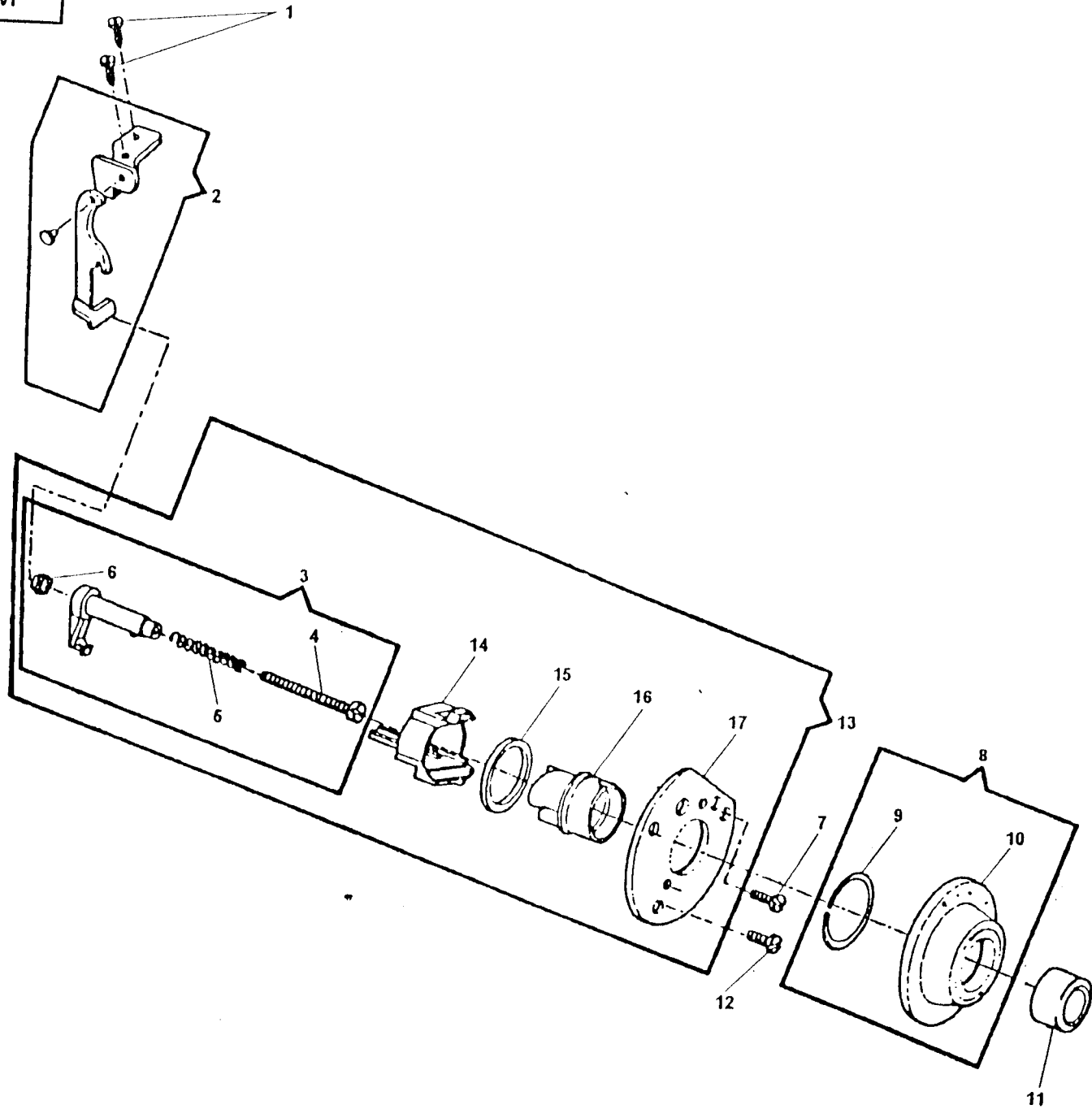
PART LIST
CAM STACK

2 2 2 2 2 2 2 2 2 2 D 3 3 3 3
5 5 5 5 5 5 5 5 4 X 3 3 3 2
0 0 0 0 1 3 1 4 4 1 1 1 4 7
2 3 4 5 5 0 7 3 0 4 4 7 3 0

REF. PART NBR DESCRIPTION

| | | | | | | | | | | | | | | | |
|------------|--|---|---|---|---|---|---|---|---|---|---|---|---|---|---|
| 356763-930 | DISC DRIVING GEAR COMPLETE | - | X | X | X | X | X | X | X | X | - | - | X | X | X |
| 356765-900 | DISC DRIVING GEAR SHAFT | - | X | X | X | X | X | X | X | X | - | - | X | X | X |
| 444911 | DISC DRIVING GEAR SHAFT ASSEMBLY | - | X | X | X | X | X | X | X | X | - | - | X | X | X |
| 446176 | DISC DRIVING GEAR POSITIONING ADJUSTING SPACER | - | X | X | X | X | X | X | X | X | - | - | X | X | X |
| 444908 | DISC DRIVING GEAR RETAINING SPRING | - | X | X | X | X | X | X | X | X | - | - | X | X | X |
| 446138 | DISC DRIVING GEAR POSITIONING ADJUSTING SPACER SCREW | - | X | X | X | X | X | X | X | X | - | - | X | X | X |
| | WASHER | - | X | X | X | X | X | X | X | X | - | - | X | X | X |
| 141920-451 | DISC DRIVING GEAR POSITIONING ADJUSTING SPACER SCREW | - | X | X | X | X | X | X | X | X | - | - | X | X | X |
| 603908-001 | DISC DRIVING GEAR RETAINING RING | - | X | X | X | X | X | X | X | X | - | - | X | X | X |
| 444903-453 | DISC DRIVING GEAR RELEASING BRACKET RETAINING WASHER | - | X | X | X | X | X | X | X | X | - | - | X | X | X |
| 444906 | DISC DRIVING GEAR RELEASING BRACKET STUD COMPLETE | - | X | X | X | X | X | X | X | X | - | - | X | X | X |
| 276301 | DISC NBR 1 (FOR ZIG-ZAG STITCH) | - | X | X | X | X | X | X | X | X | - | - | X | X | X |
| 356764 | DISC DRIVING GEAR SHAFT MOUNTING PLATE ASSEMBLY | X | - | - | - | - | - | - | - | - | - | - | X | X | - |
| 446421-930 | DISC DRIVING GEAR COMPLETE | X | - | - | - | - | - | - | - | - | - | - | X | X | - |
| 444921 | DISC DRIVING GEAR RETANING RING | X | X | X | X | X | X | X | X | X | X | X | X | X | X |
| 444923-453 | DISC DRIVING GEAR SHAFT FRICTION WASHER | X | - | - | - | - | - | - | - | - | - | - | X | X | - |
| 113375-451 | DISC STACK POSITIONING SCREW | X | - | - | - | - | - | - | - | - | - | - | X | X | - |
| 446138 | DISC STACK POSITIONING WASHER | X | - | - | - | - | - | - | - | - | - | - | X | X | - |
| 445762 | DISC STACK (PLASTIC) | X | X | X | X | X | X | X | X | X | X | X | X | X | X |
| 353424 | DISC DRIVING GEAR SHAFT SPACER | X | - | - | - | - | - | - | - | - | - | - | X | X | - |
| 446420 | DISC DRIVING GEAR SHAFT MOUNTING PLATE ASSEMBLY | X | - | - | - | - | - | - | - | - | - | - | X | X | - |
| 446418 | DISC DRIVING GEAR SHAFT | X | X | X | X | X | X | X | X | X | X | X | X | X | X |
| 353575 | DISC DRIVING GEAR SHAFT MOUNTING PLATE | X | X | X | X | X | X | X | X | X | X | X | X | X | X |
| 353488 | DISC DRIVING GEAR SHAFT WASHER | X | X | X | X | X | X | X | X | X | X | X | X | X | X |
| 53648-451 | DISC DRIVING GEAR SHAFT NUT | X | X | X | X | X | X | X | X | X | X | X | X | X | X |
| 113455-001 | DISC DRIVING GEAR SHAFT MOUNTING PLATE SCREW | X | X | X | X | X | X | X | X | X | X | X | X | X | X |
| 113435-451 | DISC DRIVING GEAR SHAFT MOUNTING PLATE SCREW | X | X | X | X | X | X | X | X | X | X | X | X | X | X |
| 353375-451 | DISC DRIVING GEAR SHAFT MOUNTING PLATE SCREW WASHER | X | X | X | X | X | X | X | X | X | X | X | X | X | X |

FEED REGULATOR CAM



REV: _____
DATE: DEC/98

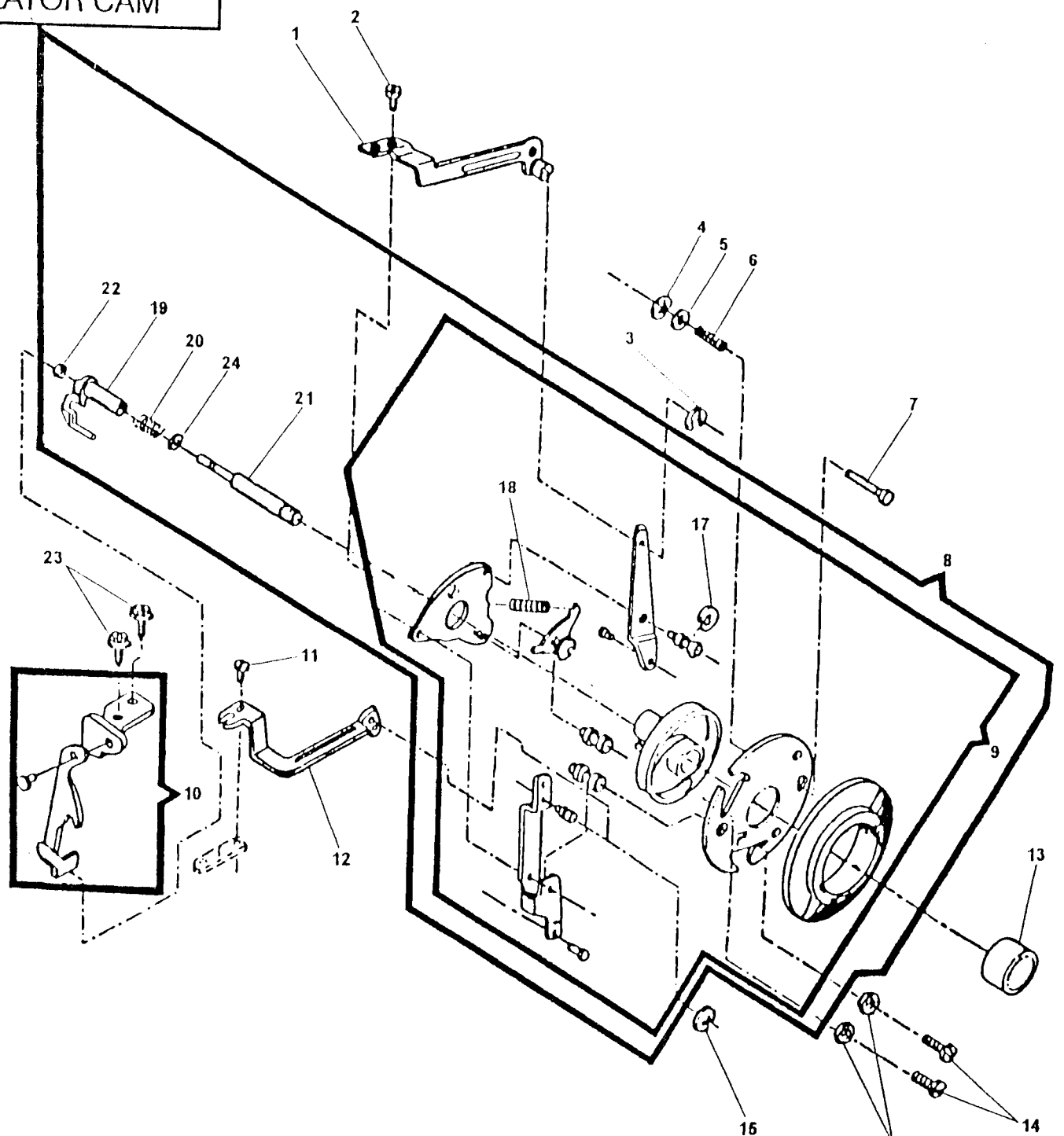
PART LIST
FEED REGULATOR CAM

2 2 2 2 2 2 2 2 2 2 D 3 3 3 3
5 5 5 5 5 5 5 5 4 X 3 3 3 2
0 0 0 0 1 3 1 4 4 1 1 1 4 7
2 3 4 5 5 0 7 3 0 4 4 7 3 0

REF. PART NBR DESCRIPTION

| | | | | | | | | | | | | | | | | | |
|----|------------|---|---|---|---|---|---|---|---|---|---|---|---|---|---|---|---|
| 01 | 113455-001 | FEED REGULATOR CONTROL ARM MOUNTING BRACKET SCREW | X | X | - | - | - | - | - | - | - | - | X | X | - | - | - |
| 02 | 353304 | FEED REGULATOR CONTROL ARM ASSEMBLY | X | X | - | - | - | - | - | - | - | - | X | X | - | - | - |
| 03 | 356397 | FEED REGULATOR CAM FOLLOWER | X | X | - | - | - | - | - | - | - | - | X | X | - | - | - |
| 04 | 354975-451 | FEED REGULATOR CAM FOLLOWER POSITIONING SCREW | X | X | - | - | - | - | - | - | - | - | X | X | - | - | - |
| 05 | 44892 | FEED REGULATOR CAM FOLLOWER POSITIONING SPRING | X | X | - | - | - | - | - | - | - | - | X | X | - | - | - |
| 06 | 618638-005 | FEED REGULATOR CAM FOLLOWER POSITIONING SPRING NUT | X | X | - | - | - | - | - | - | - | - | X | X | - | - | - |
| 07 | 531806-451 | FEED REGULATOR MOUNTING PLATE SCREW (RIGHT) | X | X | - | - | - | - | - | - | - | - | X | X | - | - | - |
| 08 | 356998-451 | FEED REGULATOR CONTROL DIAL ASSEMBLY | X | X | - | - | - | - | - | - | - | - | X | X | - | - | - |
| 09 | 445461 | FEED REGULATOR CONTROL DIAL RETAINING RING | X | X | - | - | - | - | - | - | - | - | X | X | - | - | - |
| 10 | 356997-451 | FEED REGULATOR CONTROL DIAL | X | X | - | - | - | - | - | - | - | - | X | X | - | - | - |
| 11 | 356115-452 | FEED REGULATOR POSITIONING PIN KNOB <i>Reverse Button</i> | X | X | - | - | - | - | - | - | - | - | X | X | - | - | - |
| 12 | 531807-451 | FEED REGULATOR MOUNTING PLATE SCREW (LEFT) | X | X | - | - | - | - | - | - | - | - | X | X | - | - | - |
| 13 | 353478 | FEED REGULATOR CAM COMPLETE | X | X | - | - | - | - | - | - | - | - | X | X | - | - | - |
| 14 | 446284 | FEED REGULATOR MOUNTING PLATE | X | X | - | - | - | - | - | - | - | - | X | X | - | - | - |
| 15 | 446282 | FEED REGULATOR FRICTION WASHER | X | X | - | - | - | - | - | - | - | - | X | X | - | - | - |
| 16 | 353477 | FEED REGULATOR CAM (PLASTIC) | X | X | - | - | - | - | - | - | - | - | X | X | - | - | - |
| 17 | 446283 | FEED REGULATOR MECHANISM MOUNTING PLATE | X | X | - | - | - | - | - | - | - | - | X | X | - | - | - |

BUTTONHOLER & FEED REGULATOR CAM



REV: _____
DATE: DEC/98

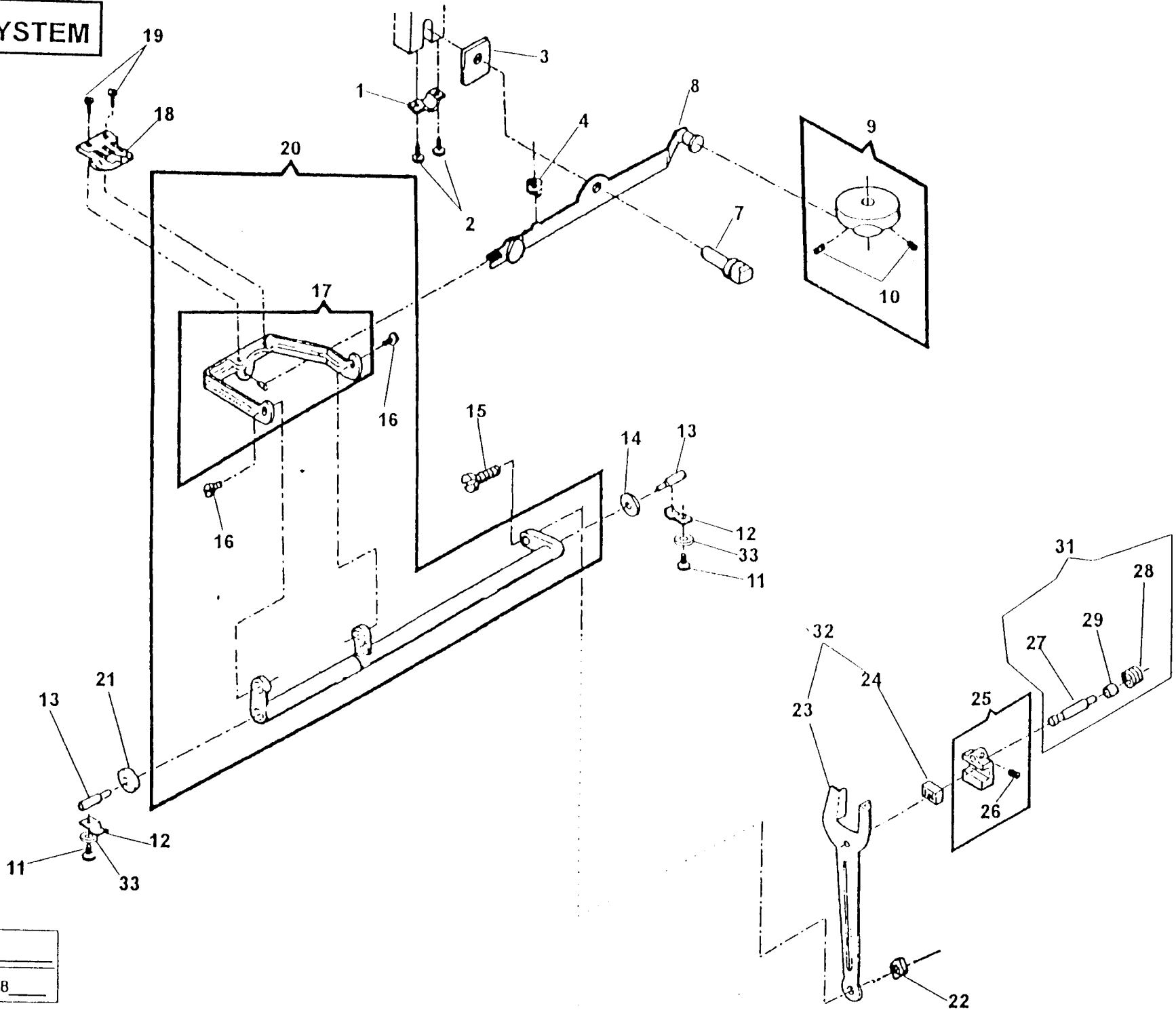
PART LIST
BUTTONHOLER & FEED REGULATOR CAM

2 2 2 2 2 2 2 2 2 2 D 3 3 3 3
5 5 5 5 5 5 5 5 4 X 3 3 3 2
0 0 0 0 1 3 1 4 4 1 1 1 4 7
2 3 4 5 5 0 7 3 0 4 4 7 3 0

EF. PART NBR DESCRIPTION

| | | | | | | | | | | | | | | | |
|------------|--|---|---|---|---|---|---|---|---|---|---|---|---|---|---|
| 353536 | BUTTONHOLER NEEDLE POSITION CAM FOLLOWER LEVER LINK (RIGHT) | - | - | X | X | X | X | X | X | X | - | - | X | X | X |
| 141913-451 | BUTTONHOLER NEEDLE POSITION CAM FOLLOWER LEVER LINK (LEFT & RIGHT) SCREW | - | - | X | X | X | X | X | X | X | - | - | X | X | X |
| 445486 | BUTTONHOLER NEEDLE POSITION CAM FOLLOWER LEVER LINK (RIGHT) RETAINING RING | - | - | X | X | X | X | X | X | X | - | - | X | X | X |
| 408030 | BUTTONHOLER & FEED REGULATOR MECHANISM MOUNTING PLATE STUD RETAINING RING | - | - | X | X | X | X | X | X | X | - | - | X | X | X |
| 445808 | BUTTONHOLER & FEED REGULATOR MECHANISM MOUNTING PLATE STUD SPRING WASHER | - | - | X | X | X | X | X | X | X | - | - | X | X | X |
| 179949 | BUTTONHOLER & FEED REGULATOR MECHANISM MOUNTING PLATE STUD SPRING | - | - | X | X | X | X | X | X | X | - | - | X | X | X |
| 356230 | BUTTONHOLER & FEED REGULATOR MECHANISM MOUNTING PLATE STUD | - | - | X | X | X | X | X | X | X | - | - | X | X | X |
| 357012-452 | BUTTONHOLER & FEED REGULATOR CAM COMPLETE | - | - | X | X | X | X | X | X | X | - | - | X | X | X |
| 357013-452 | BUTTONHOLER & FEED REGULATOR CAM ASSEMBLY | - | - | X | X | X | X | X | X | X | - | - | X | X | X |
| 353304 | FEED REGULATOR CONTROL ARM ASSEMBLY | - | - | X | X | X | X | X | X | X | - | - | X | X | X |
| 141913-451 | BUTTONHOLER BIGHT CONTROL ARM FOLLOWER LEVER LINK (LEFT & RIGHT) SCREW | - | - | X | X | X | X | X | X | X | - | - | X | X | X |
| 353551 | BUTTONHOLER BIGHT CONTROL ARM FOLLOWER LEVER LINK (RIGHT) | - | - | X | X | X | X | X | X | X | - | - | X | X | X |
| 356653-456 | FEED REGULATOR POSITIONING PIN KNOB | - | - | X | X | X | X | X | X | X | - | - | X | X | X |
| 113513-451 | BUTTONHOLER & FEED REGULATOR MECHANISM MOUNTING PLATE SCREW | - | - | X | X | X | X | X | X | X | - | - | X | X | X |
| 445486 | BUTTONHOLER BIGHT CONTROL CAM FOLLOWER LEVER LINK (RIGHT) RETAINING RING | - | - | X | X | X | X | X | X | X | - | - | X | X | X |
| 53640-819 | BUTTONHOLER & FEED REGULATOR MECHANISM MOUNTING PLATE SCREW NUT | - | - | X | X | X | X | X | X | X | - | - | X | X | X |
| 353215 | BUTTONHOLER NEEDLE POSITION CAM FOLLOWER LEVER RETAINING RING | - | - | X | X | X | X | X | X | X | - | - | X | X | X |
| 353495 | BUTTONHOLER & FEED REGULATOR CONTROL DIAL PAWL SPRING | - | - | X | X | X | X | X | X | X | - | - | X | X | X |
| 357094 | FEED REGULATOR POSITIONING PIN CARRIER | - | - | X | X | X | X | X | X | X | - | - | X | X | X |
| 44892 | FEED REGULATOR POSITIONING PIN FRICTION SPRING | - | - | X | X | X | X | X | X | X | - | - | X | X | X |
| 356650 | FEED REGULATOR POSITIONING PIN | - | - | X | X | X | X | X | X | X | - | - | X | X | X |
| 618638-005 | FEED REGULATOR POSITIONING PIN CARRIER INSERT NUT | - | - | X | X | X | X | X | X | X | - | - | X | X | X |
| 113455-001 | FEED REGULATOR CONTROL ARM MOUNTING BRACKET SCREW | - | - | X | X | X | X | X | X | X | - | - | X | X | X |
| 356830-001 | FEED REGULATOR POSITIONING PIN WASHER | - | - | X | X | X | X | X | X | X | - | - | X | X | X |

FEED SYSTEM



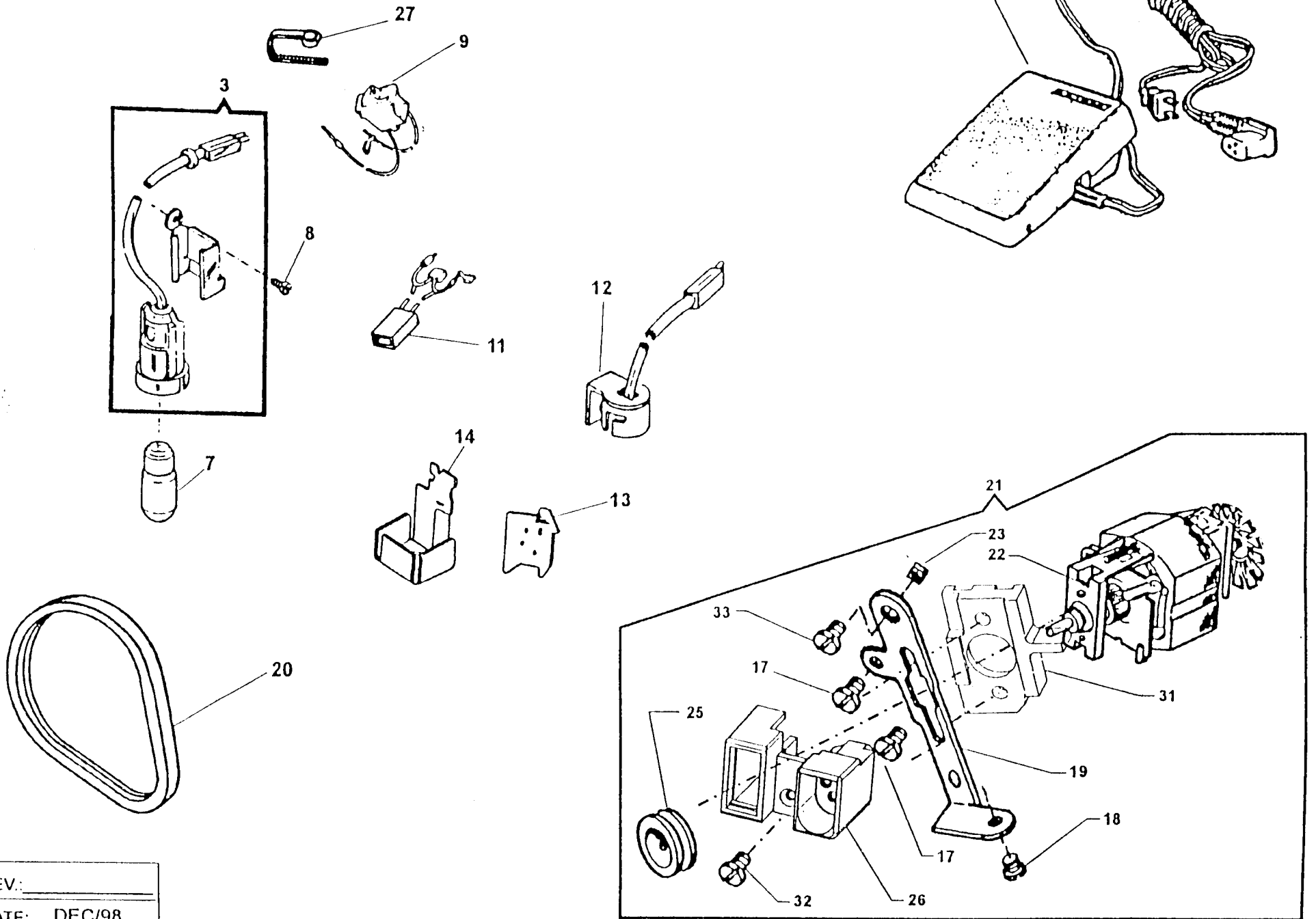
REV.: _____
DATA: __DEC/98__

2 2 2 2 2 2 2 2 2 D 3 3 3 3
5 5 5 5 5 5 5 5 4 X 3 3 3 2
0 0 0 0 1 3 1 4 4 1 1 1 4 7
2 3 4 5 5 0 7 3 0 4 4 7 3 0

REF. PART NBR DESCRIPTION

| | | | | | | | | | | | | | | |
|----|------------|---|---|---|---|---|---|---|---|---|---|---|---|---|
| 1 | 446485 | FEED LIFTING LEVER HINGE STUD (ECCENTRIC) CLAMP | X | X | X | X | X | X | X | X | X | X | X | X |
| 2 | 113455-001 | FEED LIFTING LEVER HINGE STUD (ECCENTRIC) CLAMP | X | X | X | X | X | X | X | X | X | X | X | X |
| 3 | 179955 | FEED LIFTING LEVER HINGE STUD (ECCENTRIC) SPACER | X | X | X | X | X | X | X | X | X | X | X | X |
| 4 | 446249 | FEED LIFTING LEVER SPRING | X | X | X | X | X | X | X | X | X | X | X | X |
| 7 | 357122 | FEED LIFTING LEVER HINGE STUD (ECCENTRIC)* | X | X | X | X | X | X | X | X | X | X | X | X |
| 8 | 356222-001 | FEED LIFTING LEVER ASSEMBLY | X | X | X | X | X | X | X | X | X | X | X | X |
| 9 | 446228 | FEED LIFTING CAM | X | X | X | X | X | X | X | X | X | X | X | X |
| 10 | 544118 | FEED LIFTING CAM SCREW | X | X | X | X | X | X | X | X | X | X | X | X |
| 11 | 113455-001 | FEED ROCK SHAFT CENTER SUPPORTING BRACKET SCREW | X | X | X | X | X | X | X | X | X | X | X | X |
| 12 | 446484 | FEED ROCK SHAFT CENTER CLAMP (LEFT & RIGHT) | X | X | X | X | X | X | X | X | X | X | X | X |
| 13 | 446487-001 | FEED ROCK SHAFT CENTER | X | X | X | X | X | X | X | X | X | X | X | X |
| 14 | 353397 | FEED ROCK SHAFT CENTER (RIGHT) NOISE DAMPENING WASHER | X | X | X | X | X | X | X | X | X | X | X | X |
| 15 | 53648-451 | FEED FORKED CONNECTING SCREW STUD NUT | X | X | X | X | X | X | X | X | X | X | X | X |
| 16 | 354939-451 | FEED BAR HINGE SCREW | X | X | X | X | X | X | X | X | X | X | X | X |
| 17 | 446205 | FEED BAR ASSEMBLY | X | X | X | X | X | X | X | X | X | X | X | X |
| 18 | 179891 | FEED DOG | X | X | X | X | X | X | X | X | X | X | X | X |
| 19 | 355235-451 | FEED DOG SCREW | X | X | X | X | X | X | X | X | X | X | X | X |
| 20 | 446216 | FEED ROCK SHAFT COMPLETE | X | X | X | X | X | X | X | X | X | X | X | X |
| 21 | 353397 | FEED ROCK SHAFT CENTER (LEFT) NOISE DAMPENING WASHER | X | X | X | X | X | X | X | X | X | X | X | X |
| 22 | 531623-451 | FEED FORKED CONNECTING HINGE SCREW (ECCENTRIC) | X | X | X | X | X | X | X | X | X | X | X | X |
| 23 | 531926 | FEED FORKED CONNECTING | X | X | X | X | X | X | X | X | X | X | X | X |
| 24 | 44437 | FEED FORKED CONNECTING SLIDE BLOCK | X | X | X | X | X | X | X | X | X | X | X | X |
| 25 | 446244 | FEED REGULATOR ASSEMBLY | X | X | X | X | X | X | X | X | X | X | X | X |
| 26 | 141925-833 | FEED REGULATOR SET SCREW | X | X | X | X | X | X | X | X | X | X | X | X |
| 27 | 446483 | FEED REGULATOR HINGE STUD | X | X | X | X | X | X | X | X | X | X | X | X |
| 28 | 179890 | FEED REGULATOR RETURN SPRING | X | X | X | X | X | X | X | X | X | X | X | X |
| 29 | 445768 | FEED REGULATOR RETURN SPRING BUSHING (PLASTIC) | X | X | X | X | X | X | X | X | X | X | X | X |
| 30 | 353600 | FEED REGULATOR HINGE STUD ASSEMBLY | X | X | X | X | X | X | X | X | X | X | X | X |
| 31 | 531927 | FEED FORKED CONNECTION ASSEMBLY WITH BLACK | X | X | X | X | X | X | X | X | X | X | X | X |

ELECTRICAL EQUIPMENT



REV: _____
DATE: DEC/98

PART LIST
ELECTRICAL EQUIPMENT

2 2 2 2 2 2 2 2 2 2 D 3 3 3 3
5 5 5 5 5 5 5 5 4 X 3 3 3 2
0 0 0 0 1 3 1 4 4 1 1 1 4 7
2 3 4 5 5 0 7 3 0 4 4 7 3 0

REF. PART NBR DESCRIPTION

| | | | | | | | | | | | | | | |
|----|------------|--|---|---|---|---|---|---|---|---|---|---|---|---|
| 03 | 605488-025 | LIGHT LEAD COMPLETE CAT L9 (IEC CONSTRUCTION) | X | X | X | X | X | X | X | X | X | X | X | X |
| 04 | 179908 | LIGHT LEAD GROMMET | X | X | X | X | X | X | X | X | X | X | X | X |
| 07 | 988076-001 | LAMP (120V) | X | X | X | X | X | X | X | X | X | X | X | X |
| 07 | 988076-003 | LAMP (220/250V) | X | X | X | X | X | X | X | X | X | X | X | X |
| 08 | 354592-451 | LIGHT SOCKET MOUNTING SCREW | X | X | X | X | X | X | X | X | X | X | X | X |
| 09 | 362250-904 | SWITCH COMPLETE (UL/CSA) | X | X | X | X | X | X | X | X | X | X | X | X |
| 09 | 362307-001 | SWITCH COMPLETE (NON REG.) | X | X | X | X | X | X | X | X | X | X | X | X |
| 09 | 362307-003 | SWITCH COMPLETE (UL/CSA) | X | X | X | X | X | X | X | X | X | X | X | X |
| 09 | 988763-004 | SWITCH COMPLETE (IEC CONSTRUCIONS) | X | X | X | X | X | X | X | X | X | X | X | X |
| 10 | 362095-001 | CR 606 FOOT CONTROLLER (UL/CSA) | X | X | X | X | X | X | X | X | X | X | X | X |
| 10 | 362095-002 | CR 606 FOOT CONTROLLER (IEC - EUROPE) * | X | X | X | X | X | X | X | X | X | X | X | X |
| 10 | 362095-005 | CR 606 FOOT CONTROLLER (120V - NON REG. - ROUND PIN) | X | X | X | X | X | X | X | X | X | X | X | X |
| 10 | 362095-006 | CR 606 FOOT CONTROLLER (220V - NON REG. - ROUND PIN) | X | X | X | X | X | X | X | X | X | X | X | X |
| 10 | 362095-007 | CR 606 FOOT CONTROLLER (120V - NON REG. FLAT BLADE) | X | X | X | X | X | X | X | X | X | X | X | X |
| 10 | 362095-008 | CR 606 FOOT CONTROLLER (220V - NON REG. FLAT BLADE) | X | X | X | X | X | X | X | X | X | X | X | X |
| 10 | 362095-010 | CR 606 FOOT CONTROLLER (240V - AUSTRALIA) | X | X | X | X | X | X | X | X | X | X | X | X |
| 10 | 362095-014 | CR 606 FOOT CONTROLLER (220V - ARGENTINA) | X | X | X | X | X | X | X | X | X | X | X | X |
| 10 | 362095-015 | CR 606 FOOT CONTROLLER (UK) | X | X | X | X | X | X | X | X | X | X | X | X |
| 10 | 362095-016 | CR 606 FOOT CONTROLLER (GERMANY) | X | X | X | X | X | X | X | X | X | X | X | X |
| 10 | 362095-022 | CR 606 FOOT CONTROLLER (RUSSIA) | X | X | X | X | X | X | X | X | X | X | X | X |
| 10 | 362095-023 | CR 606 FOOT CONTROLLER (HONG-KONG) | X | X | X | X | X | X | X | X | X | X | X | X |
| 11 | 988764-003 | LIGHT CONNECTOR HARNESS (UL/CSA) | X | X | X | X | X | X | X | X | X | X | X | X |
| 11 | 988764-005 | LIGHT CONNECTOR HARNESS (NON REG.) | X | X | X | X | X | X | X | X | X | X | X | X |
| 11 | 988768-003 | LIGHT CONNECTOR HARNESS (IEC) | X | X | X | X | X | X | X | X | X | X | X | X |
| 12 | 362001-007 | L15 - LIGHT COMPLETE (NON REG.) | X | X | X | X | X | X | X | X | X | X | X | X |
| 12 | 362160-002 | L15 - LIGHT COMPLETE (UL/CSA) | X | X | X | X | X | X | X | X | X | X | X | X |
| 13 | 179901 | HEAT SHIELD (WITHOUT GRAPHICS) | X | X | X | X | X | X | X | X | X | X | X | X |
| 13 | 179910-451 | LIGHT SHIELD (WITH GRAPHICS) (FOR US/CANADA) | X | X | X | X | X | X | X | X | X | X | X | X |
| 14 | 605087-001 | HEAT SHIELD (FOR EUROPE) | X | X | X | X | X | X | X | X | X | X | X | X |
| 17 | 362264-901 | MOTOR MOUNTING PLATE CLAMP SCREW | X | X | X | X | X | X | X | X | X | X | X | X |
| 18 | 113370-451 | MOTOR MOUNTING PLATE SCREW (LOWER) | X | X | X | X | X | X | X | X | X | X | X | X |
| 20 | 196388-003 | MOTOR BELT (V) | X | X | X | X | X | X | X | X | X | X | X | X |

PART LIST
ELECTRICAL EQUIPMENT (CONT.)

2 2 2 2 2 2 2 2 2 2 D 3 3 3 3
5 5 5 5 5 5 5 5 4 X 3 3 3 2
0 0 0 0 1 3 1 4 4 1 1 1 4 7
2 3 4 5 5 0 7 3 0 4 4 7 3 0

REF. PART NBR DESCRIPTION

| | | | | | | | | | | | | | | |
|----|------------|--|---|---|---|---|---|---|---|---|---|---|---|---|
| 21 | 362180-001 | GAC15 - MOTOR COMPLETE (UL/CSA) | X | X | X | X | X | X | X | X | X | X | X | X |
| 21 | 362180-008 | GAC15 - MOTOR COMPLETE (120V - NON REG.) | X | X | X | X | X | X | X | X | X | X | X | X |
| 21 | 362180-009 | GAC15 - MOTOR COMPLETE (220V - NON REG.) | X | X | X | X | X | X | X | X | X | X | X | X |
| 21 | 362180-010 | GAC15 - MOTOR COMPLETE (220/240V - RUSSIA) | X | X | X | X | X | X | X | X | X | X | X | X |
| 21 | 362180-011 | GAC15 - MOTOR COMPLETE (220/240V - IEC/EUROPE) | X | X | X | X | X | X | X | X | X | X | X | X |
| 21 | 362180-018 | GAC15 - MOTOR COMPLETE (220/240V - NON REG.) | X | X | X | X | X | X | X | X | X | X | X | X |
| 22 | 362207-005 | SERIES MOTOR MODULE (120V - NON REG.) | X | X | X | X | X | X | X | X | X | X | X | X |
| 22 | 362207-006 | SERIES MOTOR MODULE (220V - NON REG.) | X | X | X | X | X | X | X | X | X | X | X | X |
| 22 | 988752-010 | SERIES MOTOR MODULE (120V - UL/CSA) | X | X | X | X | X | X | X | X | X | X | X | X |
| 22 | 988752-011 | SERIES MOTOR MODULE (220/240V - IEC/SAA) | X | X | X | X | X | X | X | X | X | X | X | X |
| 21 | 988752-013 | SERIES MOTOR MODULE (220/240V - NON REG.) | X | X | X | X | X | X | X | X | X | X | X | X |
| 23 | 313470-452 | MOTOR MOUNTING PLATE SCREW NUT | X | X | X | X | X | X | X | X | X | X | X | X |
| 25 | 988176-001 | MOTOR PULLEY | X | X | X | X | X | X | X | X | X | X | X | X |
| 26 | 362239-001 | COMMUTATOR END (120V - UL/CSA) | X | X | X | X | X | X | X | X | X | X | X | X |
| 26 | 362239-008 | COMMUTATOR END (120V - NON REG.) | X | X | X | X | X | X | X | X | X | X | X | X |
| 26 | 362239-009 | COMMUTATOR END (220V - NON REG.) | X | X | X | X | X | X | X | X | X | X | X | X |
| 26 | 362239-010 | COMMUTATOR END (220/240V - RUSSIA) | X | X | X | X | X | X | X | X | X | X | X | X |
| 26 | 362239-011 | COMMUTATOR END (220/240V - IEC/SAA) | X | X | X | X | X | X | X | X | X | X | X | X |
| 27 | 605600-004 | TYE RAP | X | X | X | X | X | X | X | X | X | X | X | X |
| 31 | 362237-901 | MOTOR MOUNTING PLATE SPACER | X | X | X | X | X | X | X | X | X | X | X | X |
| 32 | 362263-901 | MOTOR MOUNTING PLATE SPACER SCREW | X | X | X | X | X | X | X | X | X | X | X | X |
| 33 | 113372-451 | MOTOR MOUNTING PLATE SCREW (UPPER) | X | X | X | X | X | X | X | X | X | X | X | X |