

SINGER
3300

LIST OF PARTS

Sewing Machine Series

3300

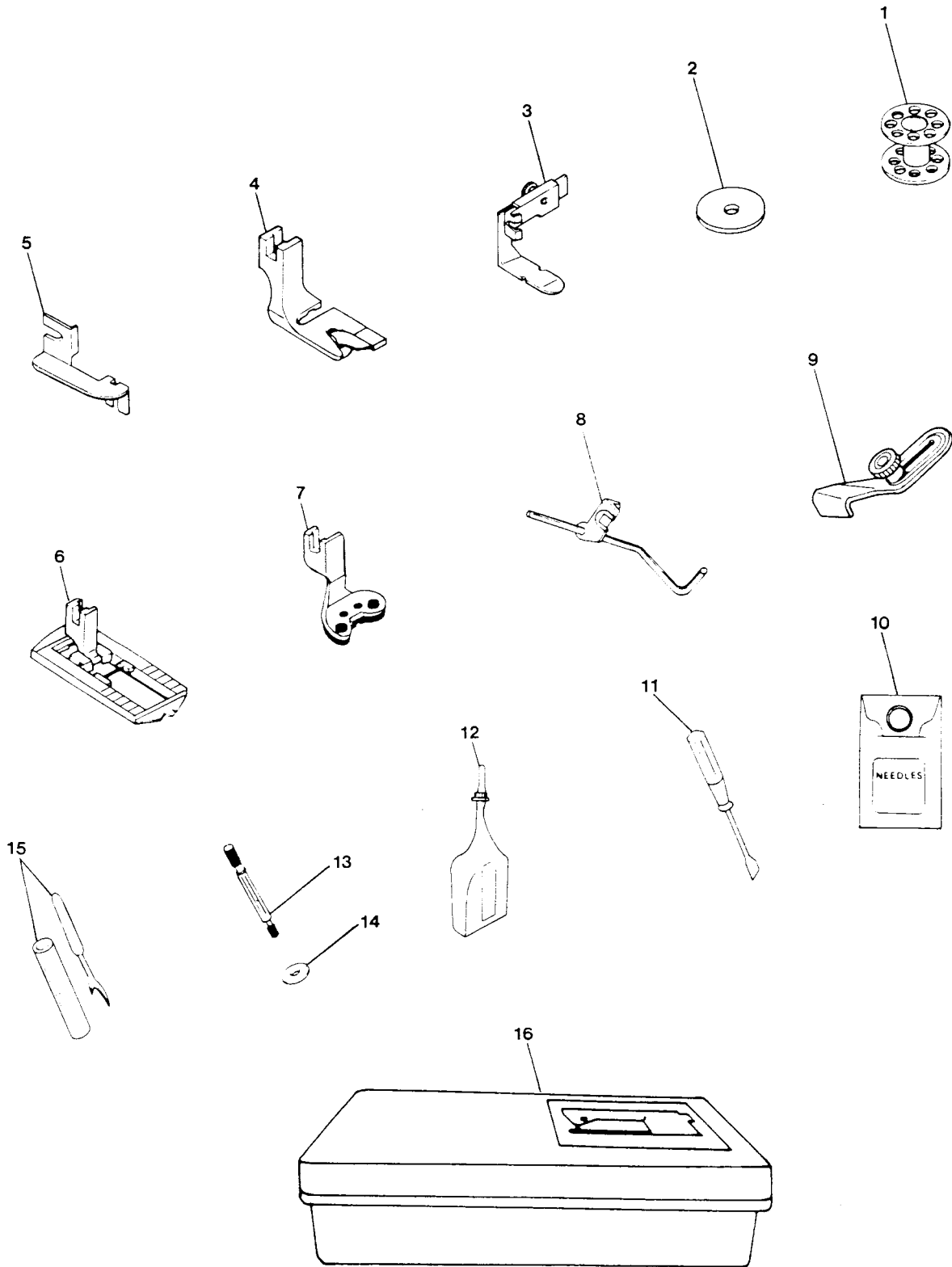
by **SINGER***



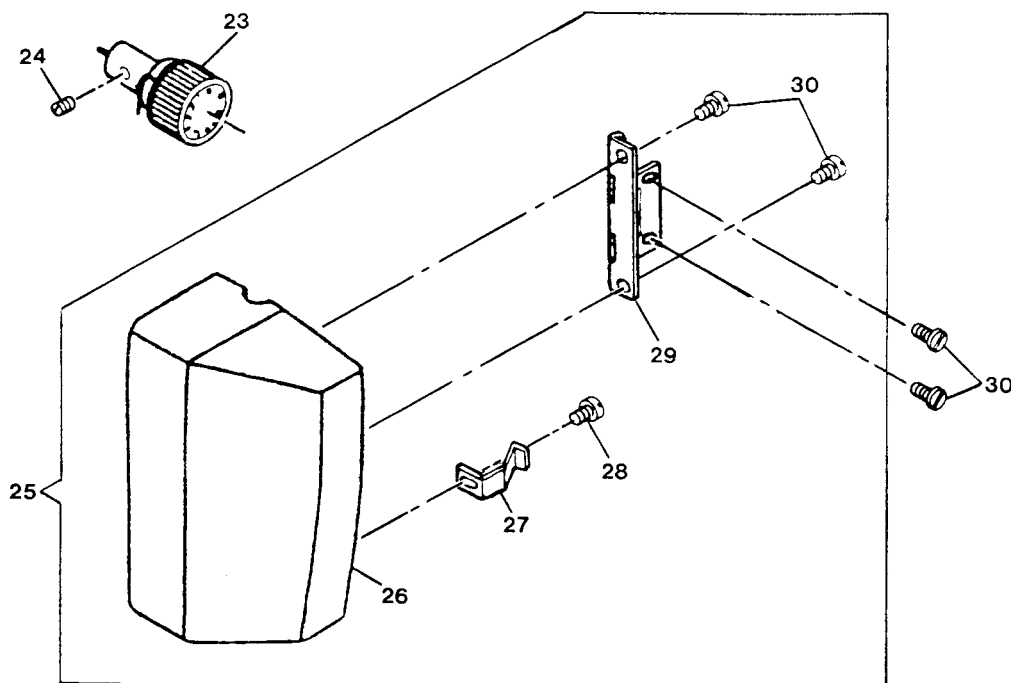
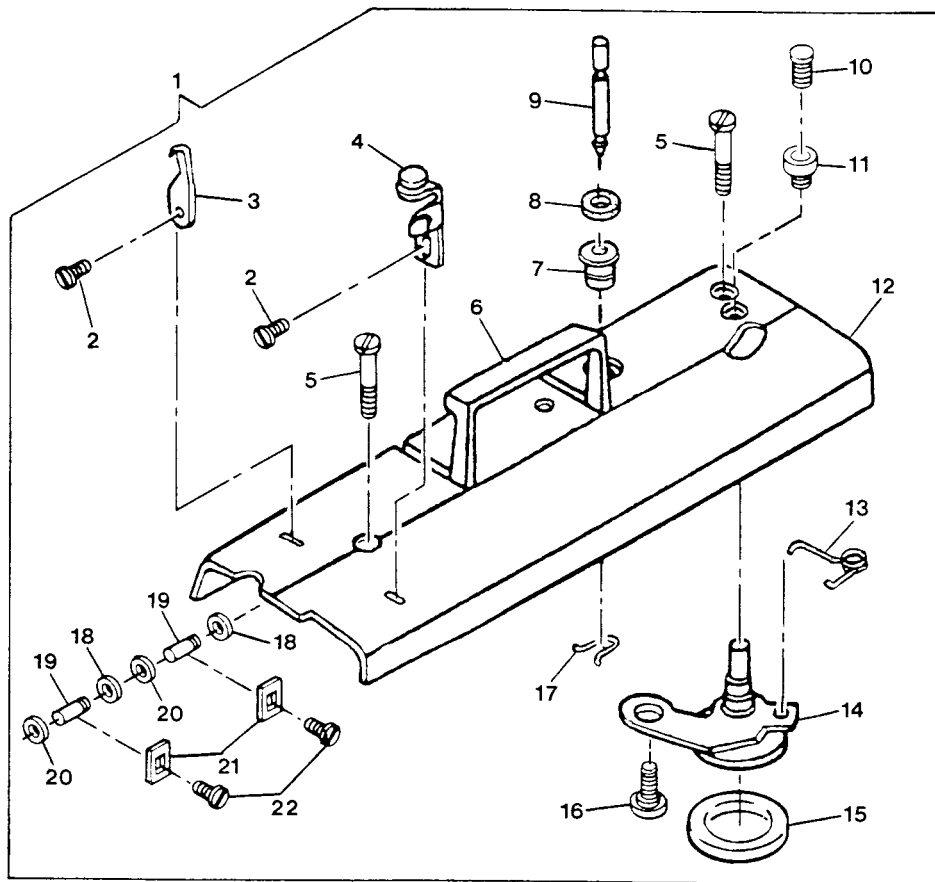
INDEX

PAGE NO.	SUBASSEMBLY
1, 2	ACCESSORIES
3, 4	TOP COVER, FACE PLATE
5, 6	PRESSER BAR, LIGHT, NEEDLE BAR
7, 8	SHUTTLE MECHANISM
9, 10	ARM SHAFT, HAND WHEEL, TAKE-UP
11, 12	FEED SYSTEM
13, 16	CAMSTACK
17, 18	BED COVERS
19, 20	ELECTRICS
21, 24	ZIG-ZAG MECHANISM
25, 26	DROP FEED, HOOK DRIVE

ACCESSORIES

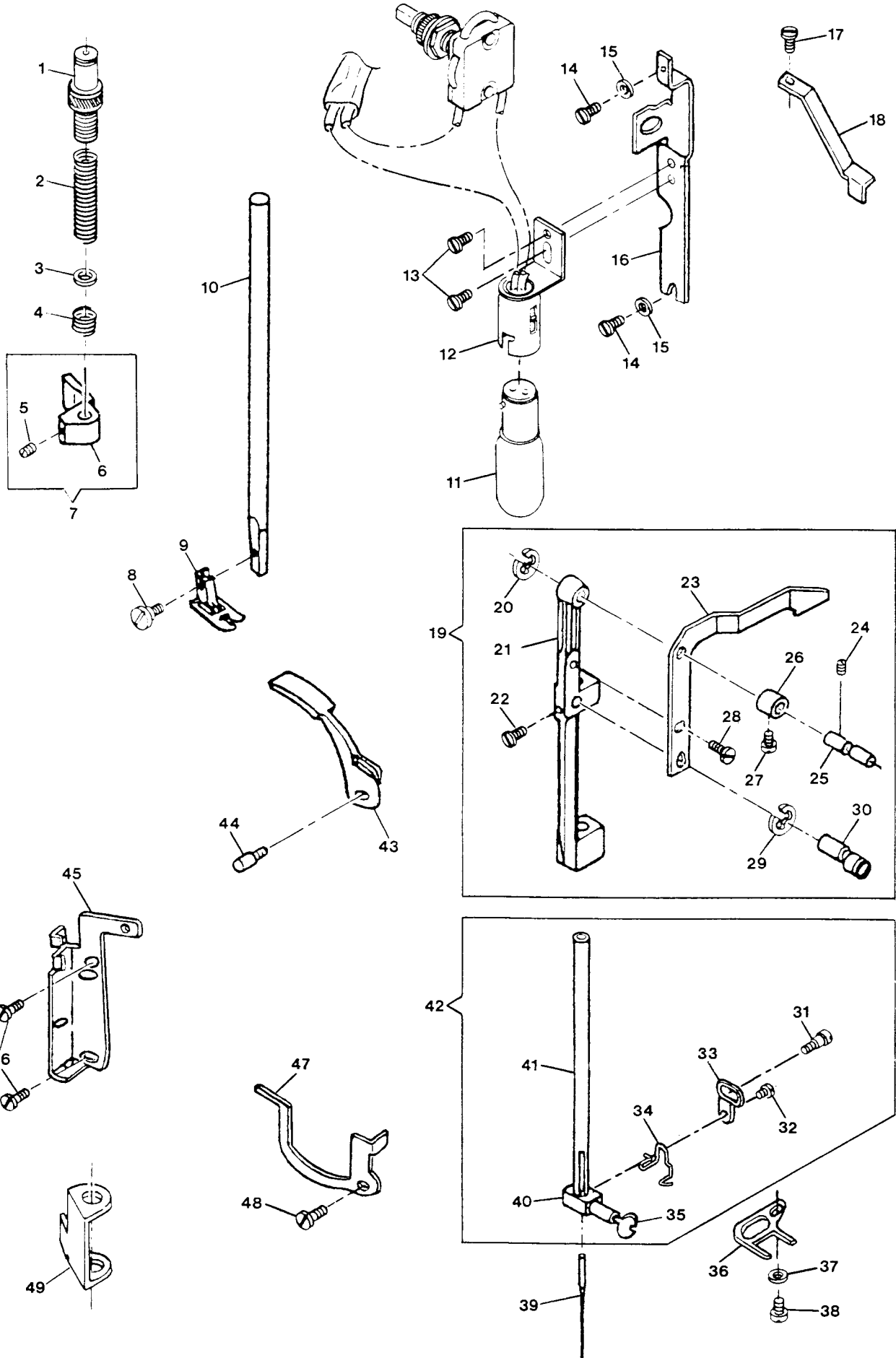


TOP COVER, FACE PLATE

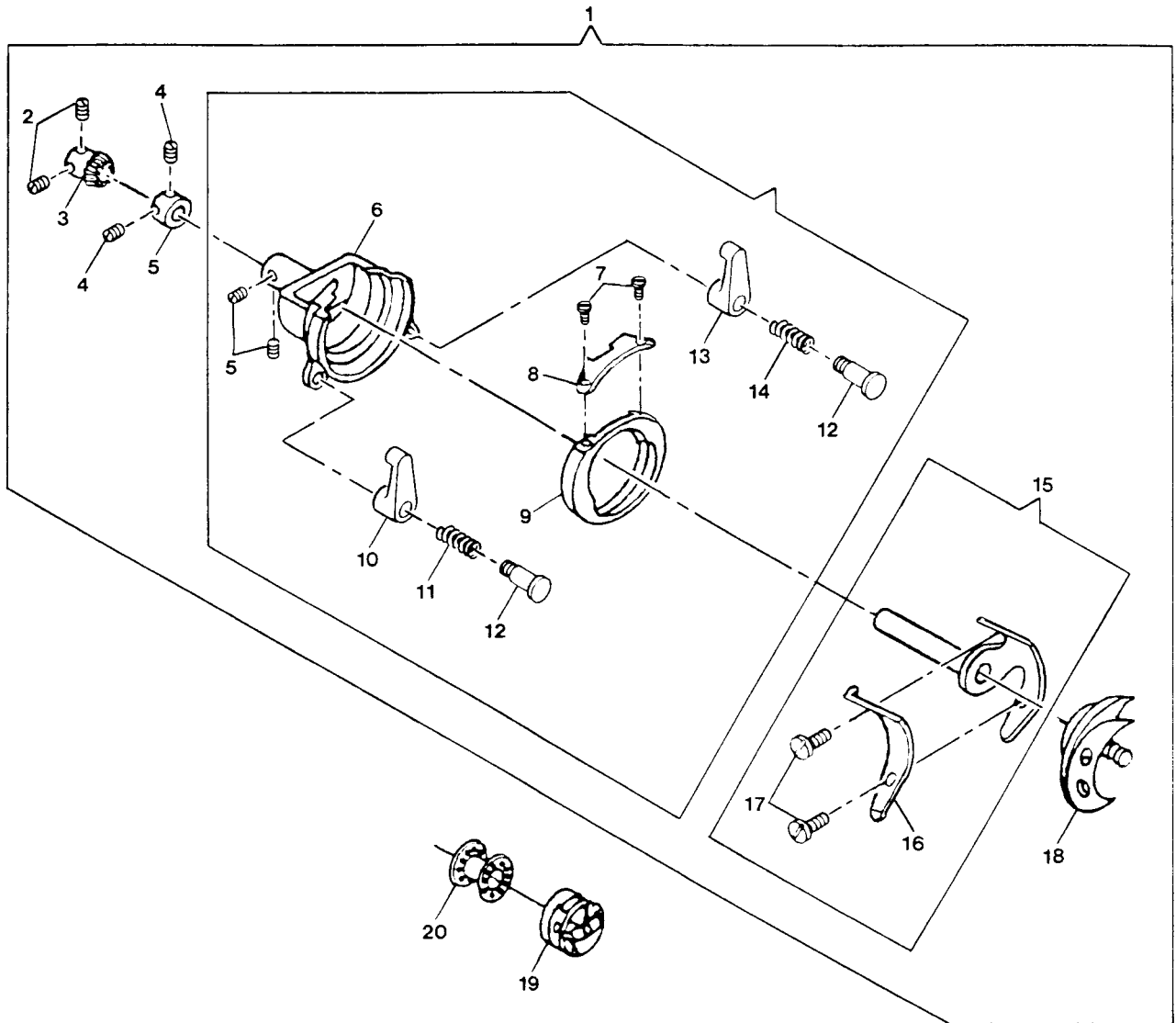


SNG REF	PART NUMBER	PRESSER BAR, LIGHT, NEEDLE BAR DESCRIPTION	3	3	3
			3	3	3
			0	0	1
			2	5	1
1	177430	Pressure regulator comp.	X	X	X
2	177431	Pressure bar spring	X	X	X
3	177432	Pressure bar spring washer	X	X	X
4	177433	Pressure regulator spring	X	X	X
5	177434	Pressure bar guide bracket set screw	X	X	X
6	177435	Pressure bar guide bracket	X	X	X
7	177436	Pressure bar guide bracket comp.	X	X	X
8	177437	Presser foot thumb screw	X	X	X
9	177438	Presser foot	X	X	X
10	177439	Presser bar	X	X	X
11	777910-002	Light bulb (120V)	X	X	X
12	177440	Light cord with socket and switch comp.	X	X	X
13	177441	Set screw	X	X	X
14	177424	Set screw	X	X	X
15	177442	Washer	X	X	X
16	177443	Light socket bracket	X	X	X
17	177444	Light cord bracket set screw	X	X	X
18	177445	Light cord bracket	X	X	X
19	177446	Needle bar support comp.	X	X	X
20	177447	Snap ring	X	X	X
21	177448	Needle bar support	X	X	X
22	177402	Set screw	X	X	X
23	177449	Zigzag driving plate	X	X	X
24	177450	Set screw	X	X	X
25	177451	Needle bar support pin	X	X	X
26	177452	Collar	X	X	X
27	177402	Set screw	X	X	X
28	177402	Set screw	X	X	X
29	177453	Snap ring	X	X	X
30	177454	Eccentric pin	X	X	X
31	177455	Set screw	X	X	X
32	177456	Hinge screw	X	X	X
33	177457	Needle bar thread guide set plate	X	X	X
34	177458	Needle bar thread guide	X	X	X
35	177459	Needle clamp screw	X	X	X
36	177460	Needle bar stop plate	X	X	X
37	177415	Washer	X	X	X
38	177461	Set screw	X	X	X
39	N2020	Needle	X	X	X
40	177462	Needle clamp comp.	X	X	X
41	177463	Needle bar	X	X	X
42	177464	Needle bar comp.	X	X	X
43	177465	Presser bar lifter	X	X	X
44	177466	Hinge screw	X	X	X
45	177467	Face plate thread guide	X	X	X
46	177468	Set screw	X	X	X
47	177469	Thread tension release lever	X	X	X
48	177470	Hinge screw	X	X	X
49	173938	Thread tension release lever	X	X	X

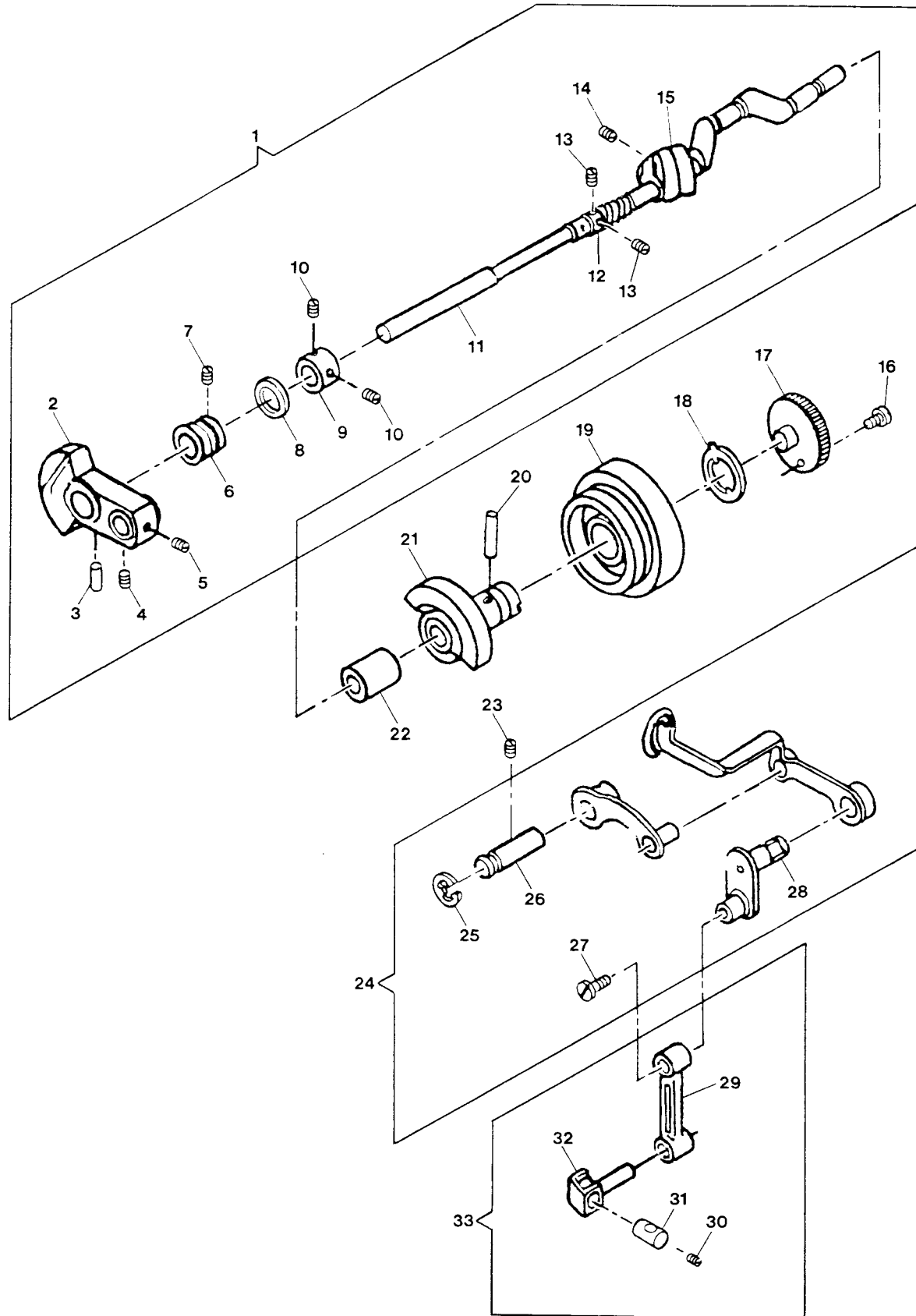
PRESSER BAR, LIGHT, NEEDLE BAR



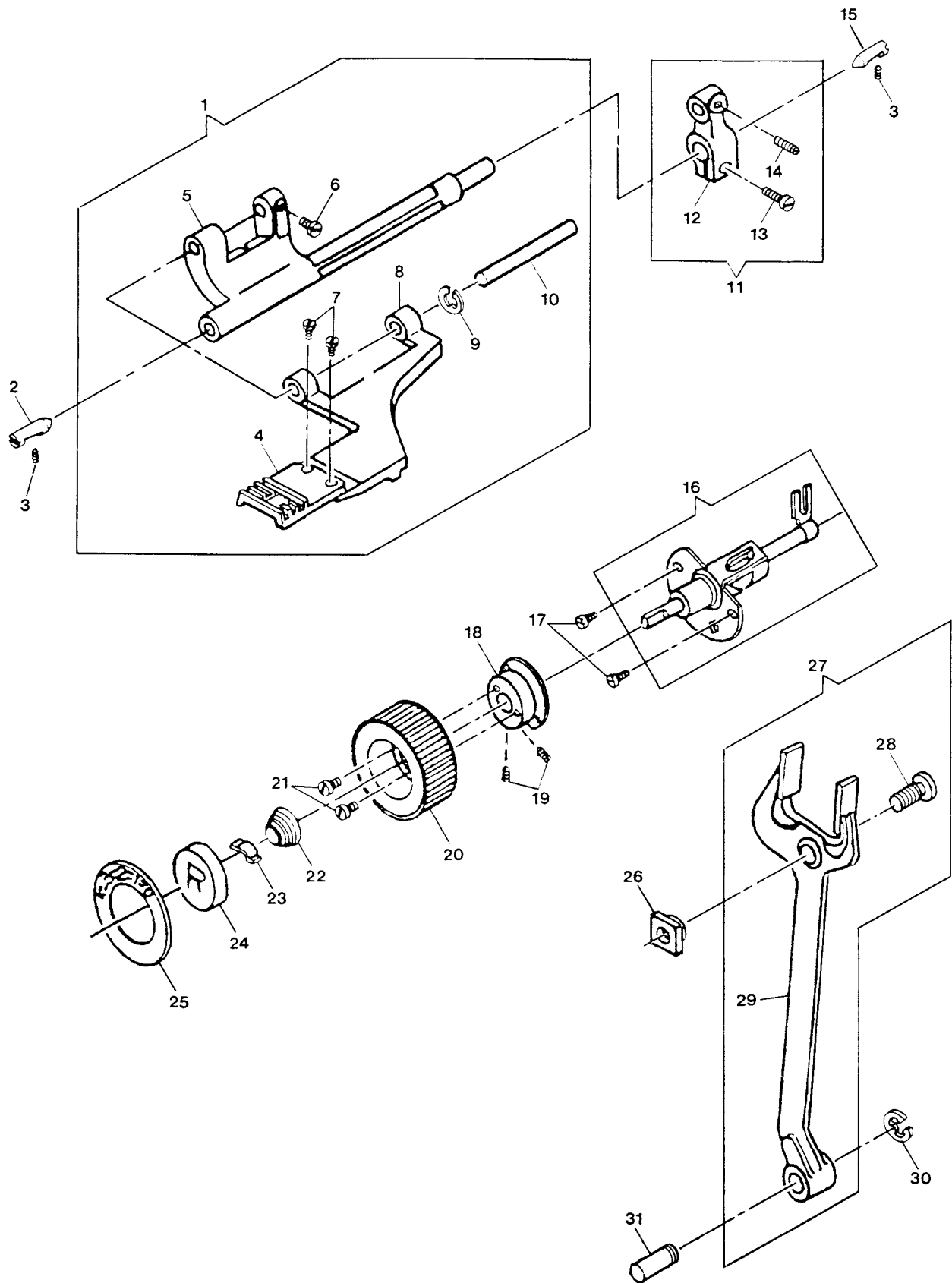
SHUTTLE MECHANISM



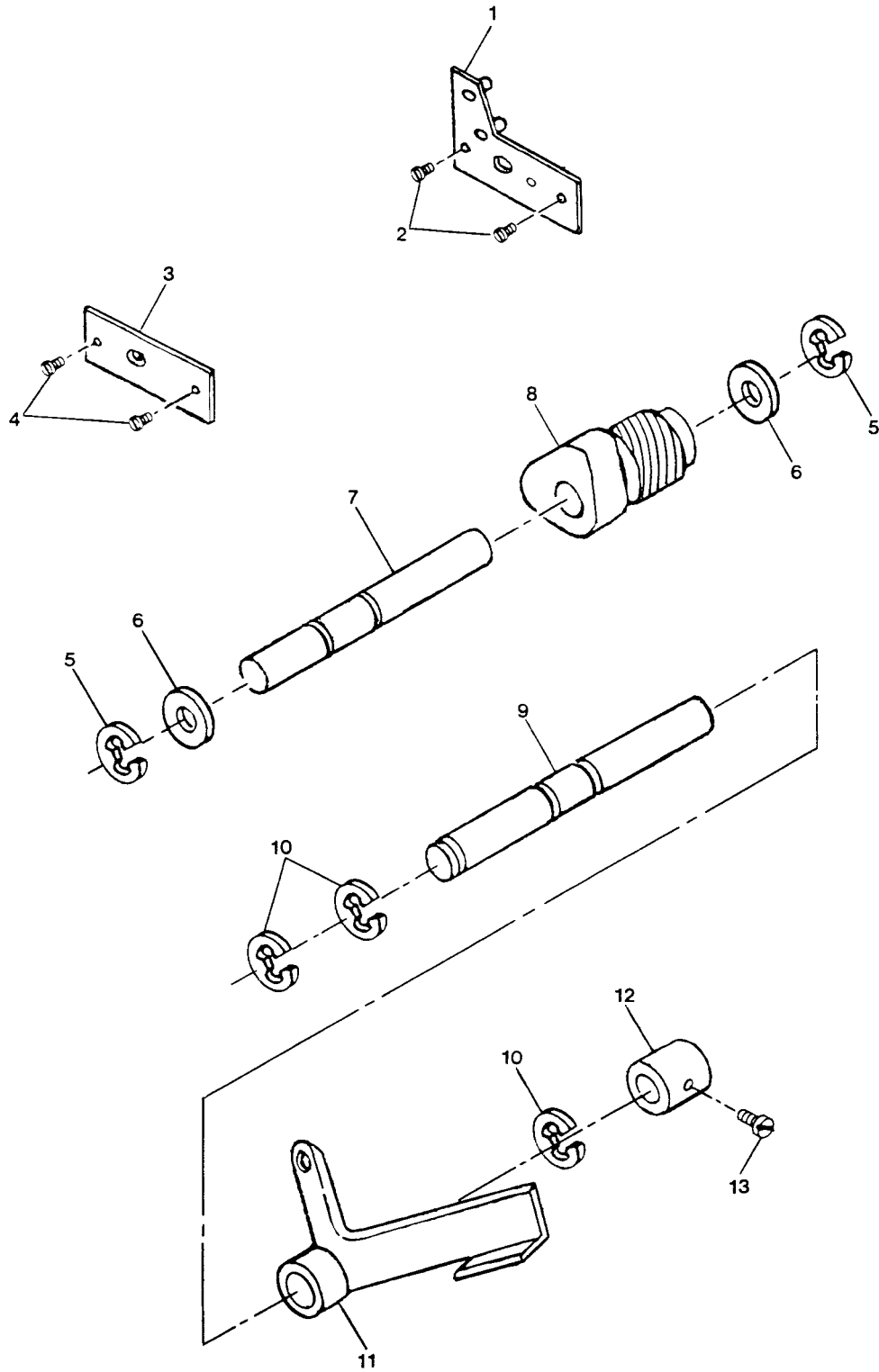
ARMSHAFT, HAND WHEEL, TAKE-UP



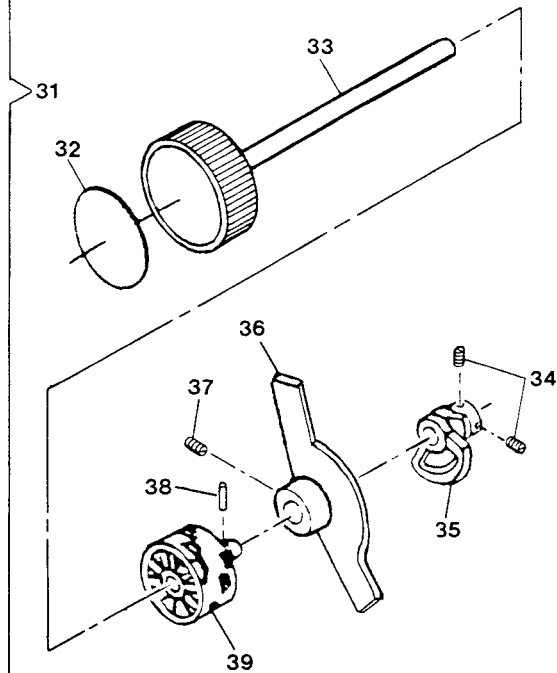
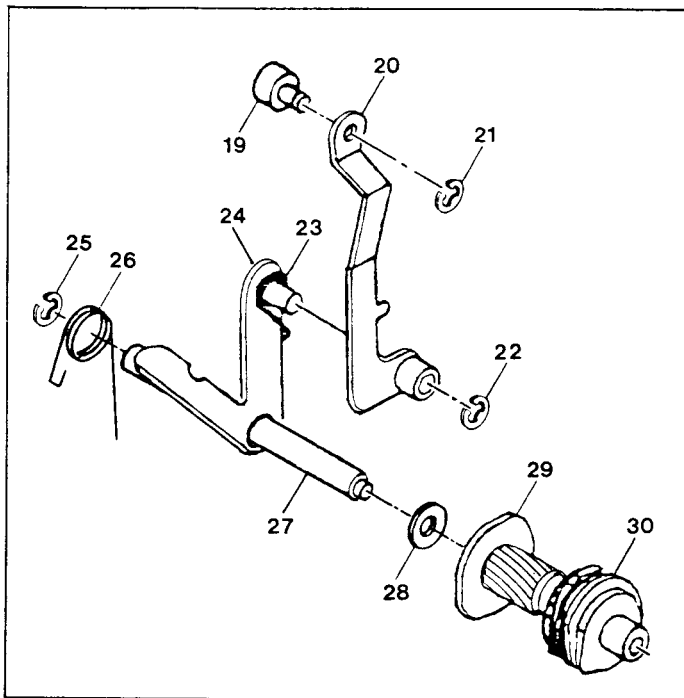
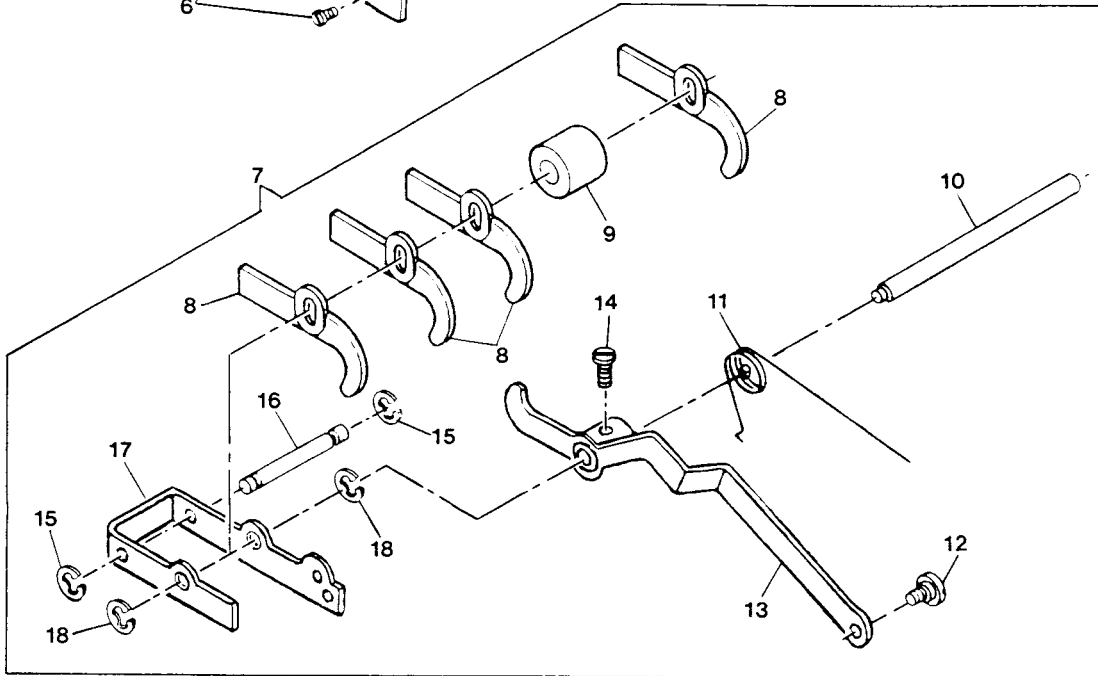
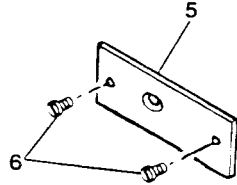
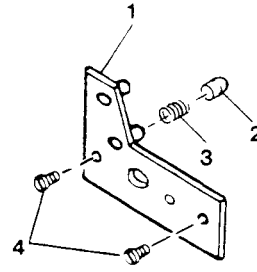
FEED SYSTEM



CAMSTACK

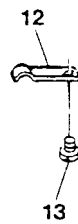
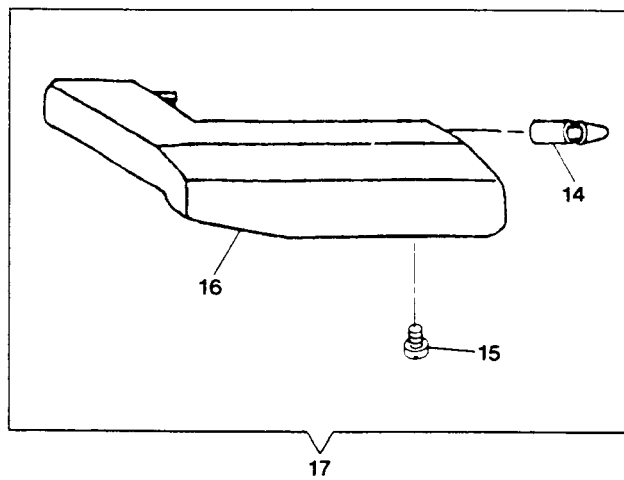
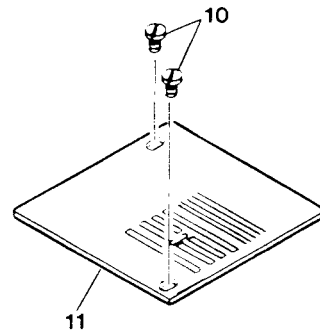
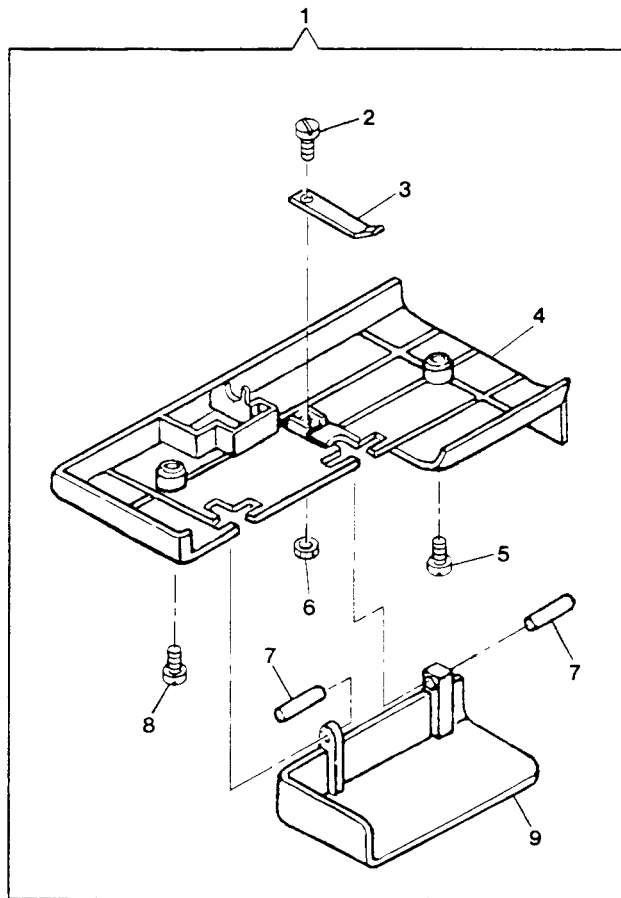


CAMSTACK (CONT.)

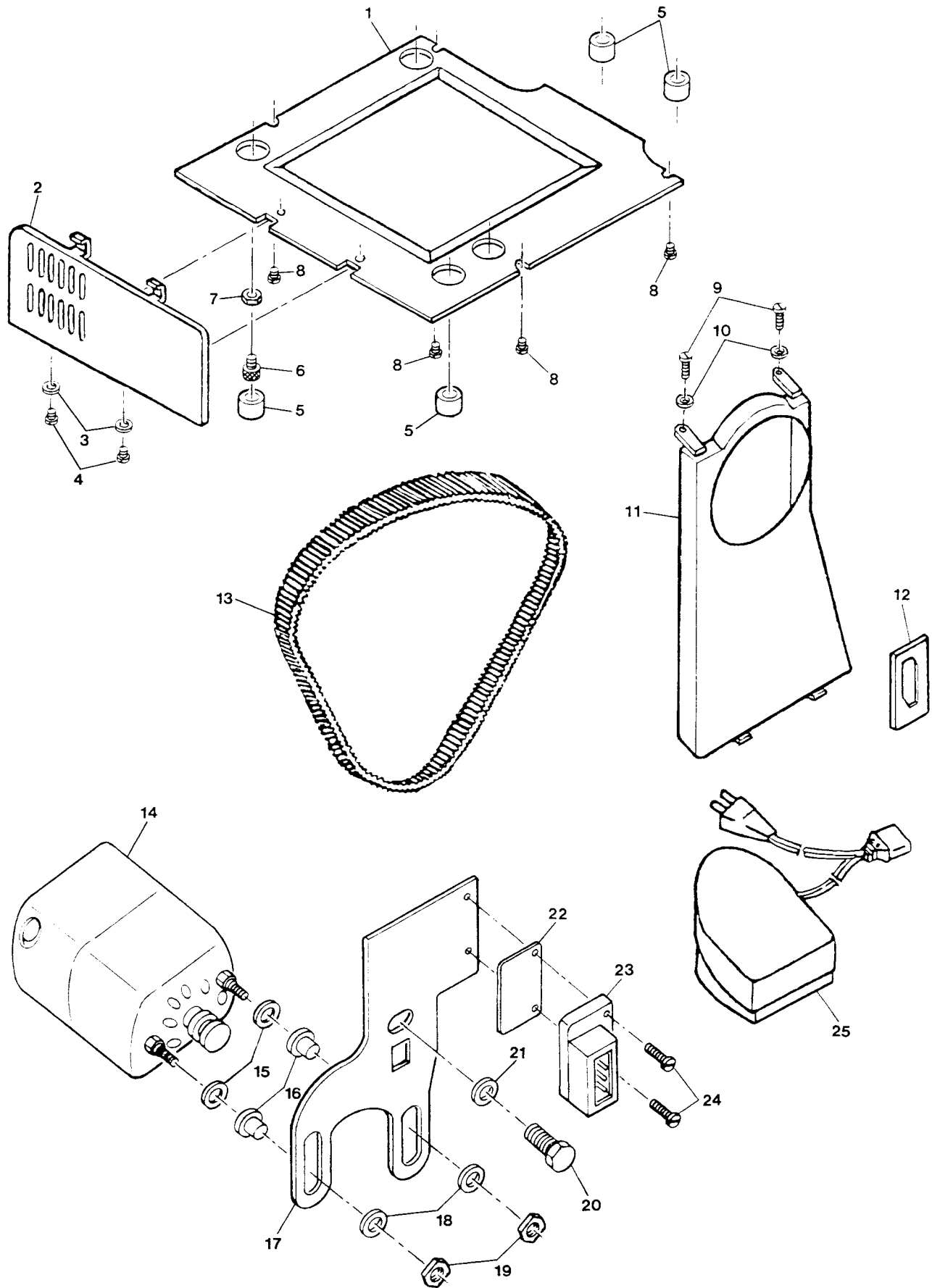


SNG REF	PART NUMBER	CAMSTACK (CONT.) DESCRIPTION	3	3	3
			3	3	3
			0	0	1
			2	5	1
		Cam follower comp.			
		Pattern selector dial indicator plate		X	X
1	177554	Pattern selector dial shaft bracket		X	X
2	177555	Angle index pin		X	X
3	177556	Angle index spring		X	X
4	177532	Set screw		X	X
5	177547	Cam shaft holder		X	X
6	177532	Set screw		X	X
7	173948	Cam follower complete		X	
7	173949	Cam follower complete			X
8	177557	Cam follower		X	X
9	177558	Bushing		X	
10	177559	Follower cam shaft		X	X
11	177560	Spring		X	X
12	177561	Hinge screw		X	X
13	177562	Buttonhole feed connecting plate		X	X
14	177402	Set screw		X	X
15	177453	Snap ring		X	X
16	177563	Shaft		X	X
17	177564	Follower cam bracket		X	X
18	177565	Snap ring		X	X
19	177580	Stretch stitch rod roller		X	X
20	177566	Stretch stitch feed connecting crank		X	X
21	177453	Snap ring		X	X
22	177453	Snap ring		X	X
23	177567	Stretch stitch selector crank spring		X	X
24	177568	Stretch stitch selector crank		X	X
25	177569	Snap ring		X	X
26	177570	Stretch stitch selector crank spring		X	X
27	177571	Pattern cam shaft		X	X
28	177548	Washer		X	X
29	177572	Stretch stitch cam		X	X
30	177573	Pattern cam		X	X
31	177574	Pattern cam comp.		X	X
32	173950	Pattern selector dial indicator plate		X	
32	173951	Pattern selector dial indicator plate			X
33	173952	Pattern selector dial (beige)		X	
33	173953	Pattern selector dial (dark red)			X
34	177450	Set screw		X	X
35	177576	Stretch stitch selector cam		X	X
36	177577	Selector limiting plate		X	
37	177450	Set screw		X	
38	177578	Spring pin		X	X
39	177579	Pattern selector cam		X	X

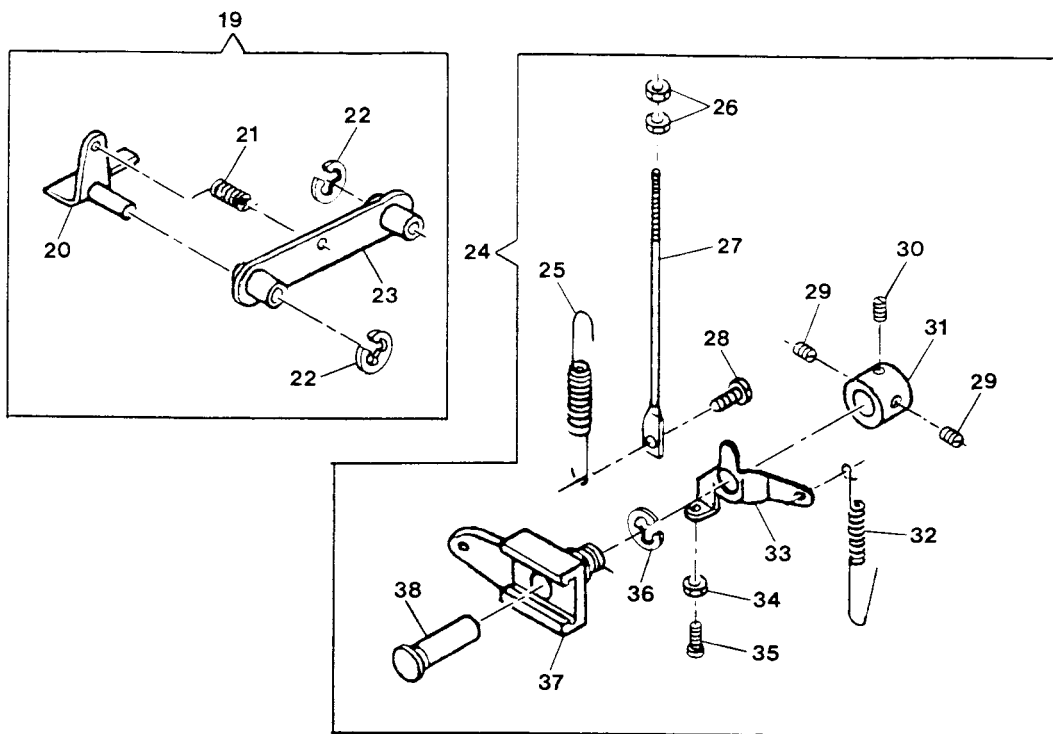
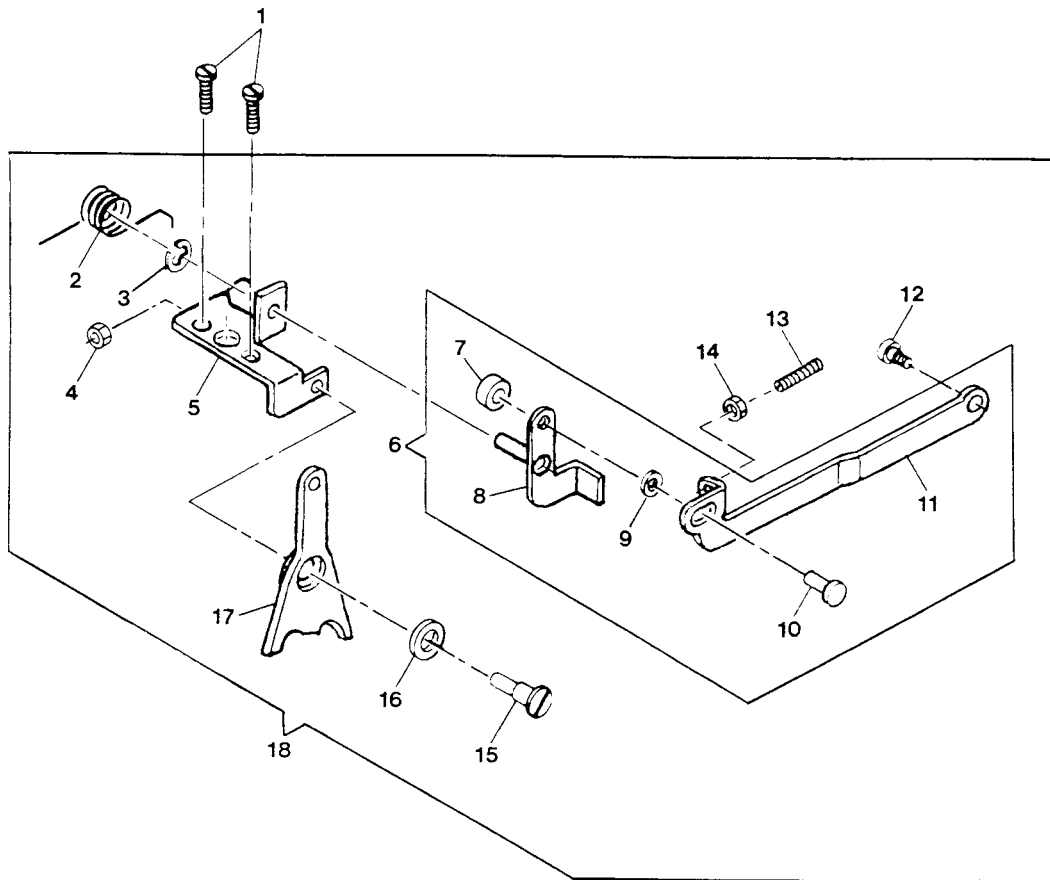
BED COVERS



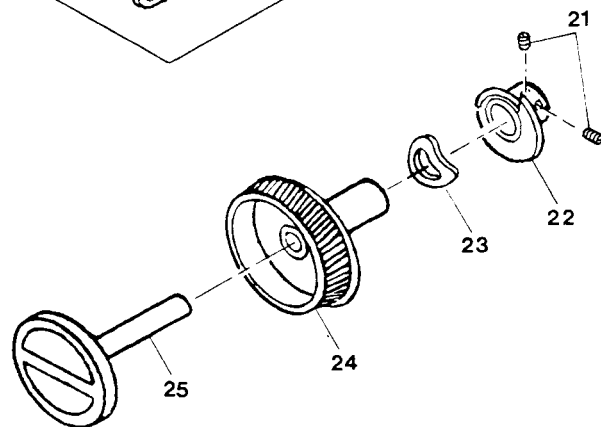
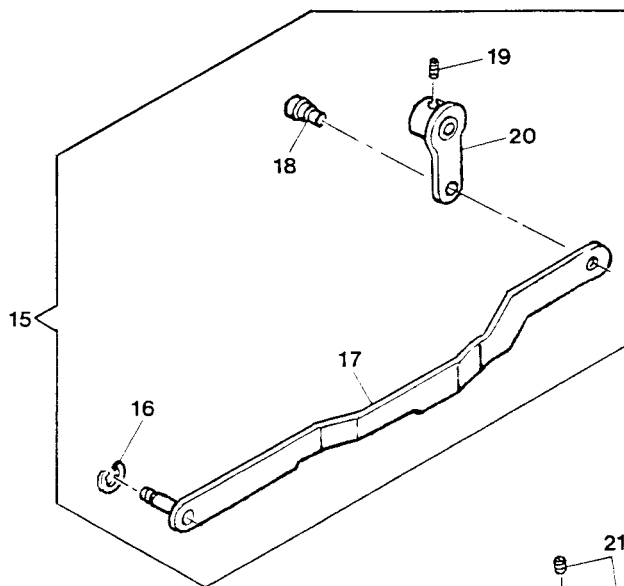
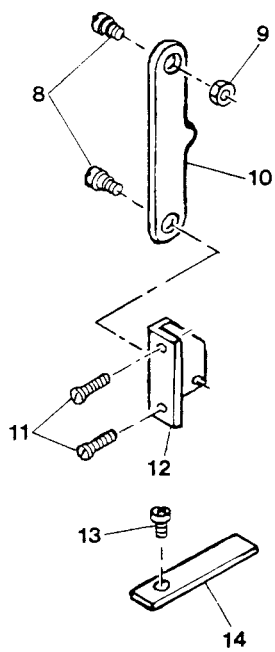
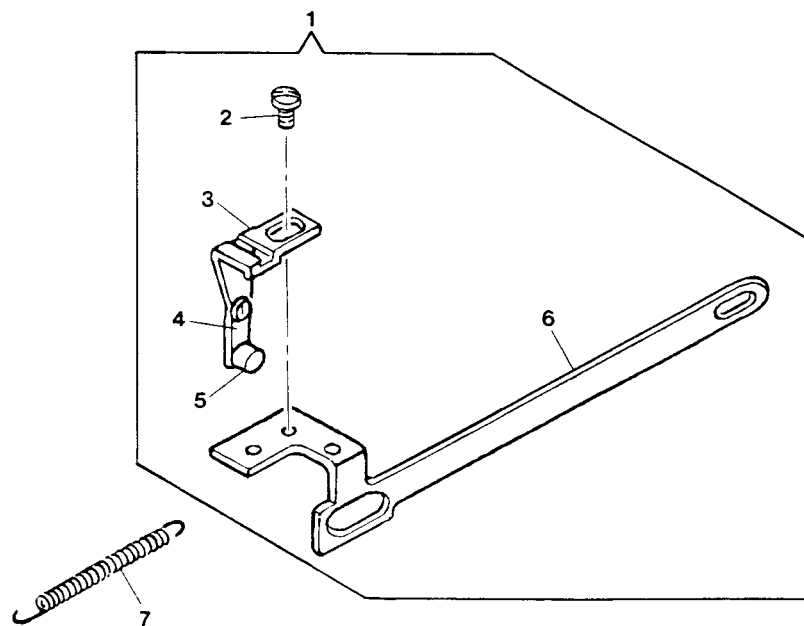
ELECTRICS



ZIG-ZAG MECHANISM



ZIG-ZAG MECHANISM (CONT.)



DROP FEED/HOOK DRIVE

