

# **SINGER**

**4620/5800/6620/7211/7212/57817/  
57820/8220**

**LIST OF PARTS  
SEWING MACHINE SERIES**

**4620/5800**

**6620/7211**

**7212/57817**

**57820/8220**

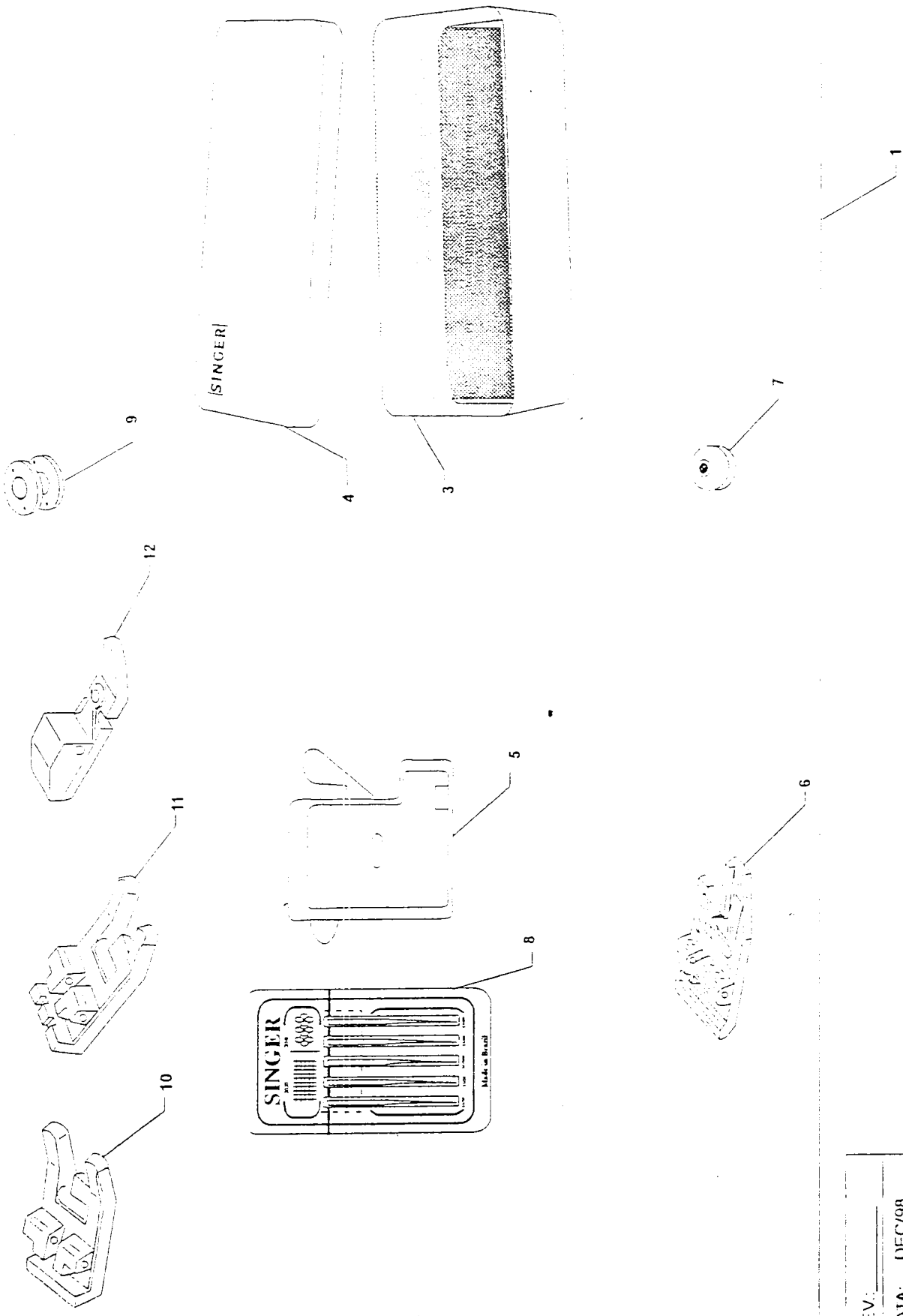
THE SINGER COMPANY  
©1998 SINGER DO BRASIL  
ALL RIGHTS RESERVED

PRINTED IN BRAZIL  
P/N 357668-001  
DEC/98

PART LIST  
5800,4620,6620,7211,7212,57817,57820 and 8220  
REVISION RECORD

REV.	DESCRIPTION	APPROVAL AND DATE
	ADOPT.	L.F.GONZAGA DEC/98

ATTACHMENT SET



REV: \_\_\_\_\_  
DATE: DEC/98

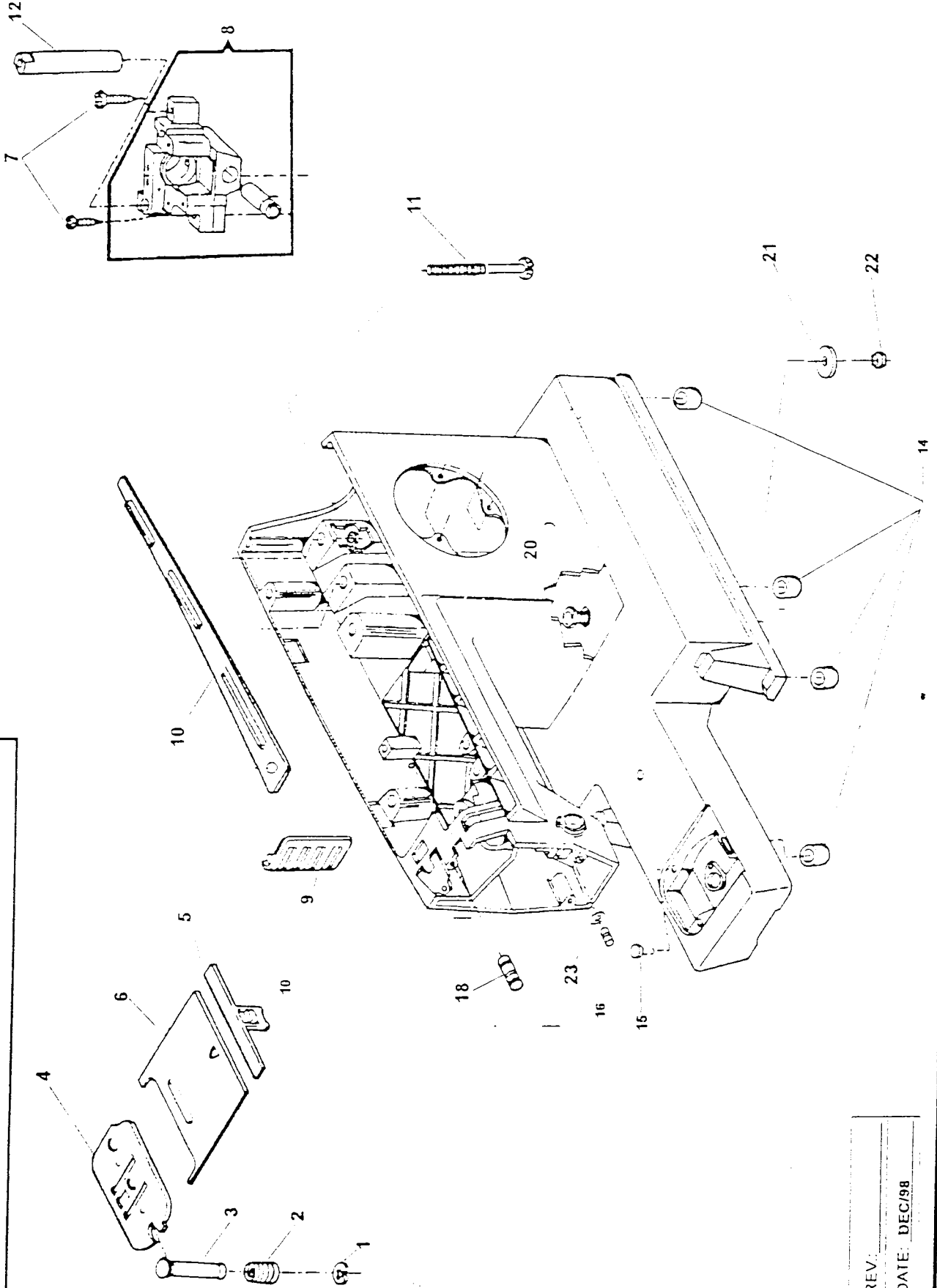
**PART LIST  
SUB-ASSEMBLY**

**REF. DESCRIPTION**

01 - 02	ATTACHMENT SET
03 - 04	ARM, BED, THROAT PLATE & BED SLIDE
05 - 06	ARM TOP COVER
07 - 08	COVERS & ADD-ONS
09 - 13	NEEDLE BAR, PRESSER BAR & THREAD TAKE-UP
14 - 15	ARM SHAFT DRIVE
16 - 17	HAND WHEEL
18 - 19	TENSION MECHANISM
20 - 21	HOOK SYSTEM
22 - 23	BIGHT AMPLITUDE
24 - 27	NEEDLE POSITION
28 - 29	DISC SELECTOR ASSFMRI Y
30 - 31	PATTERN SELECTOR
32 - 33	CAM STACK
34 - 35	FEED REGULATOR CAM
36 - 38	BUTTONHOLER & FEED REGULATOR CAM
39 - 40	CAM CONTROLLED FEED
41 - 42	FEED SYSTEM
43 - 44	OPTIONS
45 - 49	ELECTRICAL EQUIPMENT



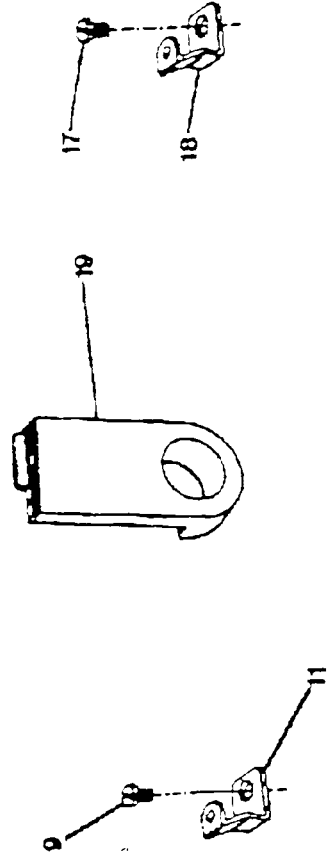
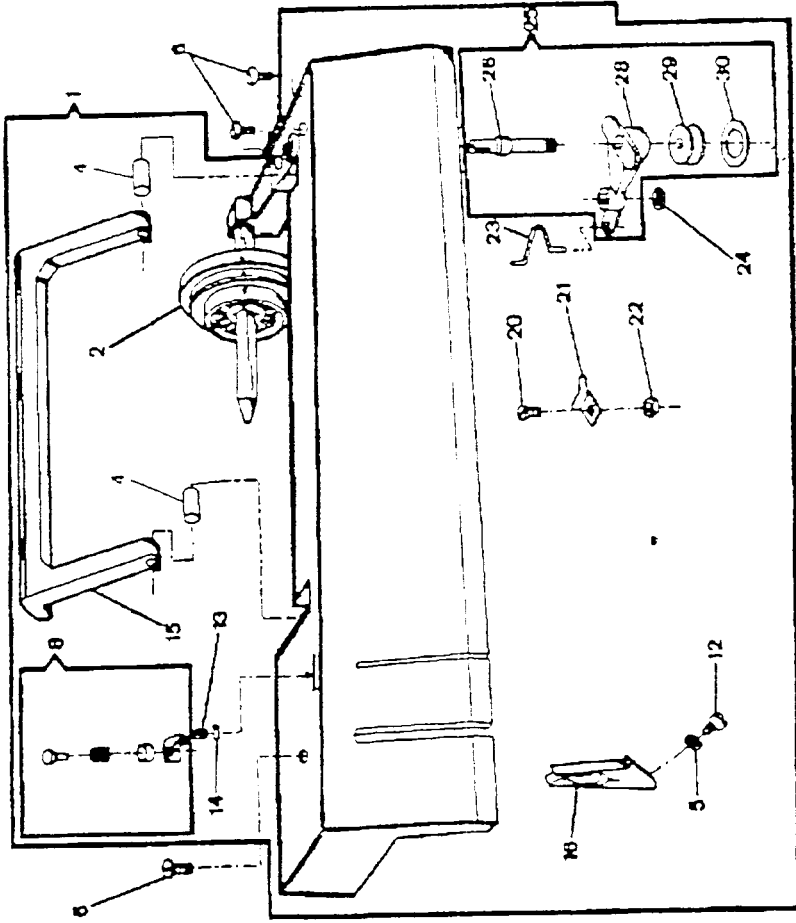
ARM, BED, THROAT PLATE & BED SLIDE



REV:	
DATE:	DEC/98



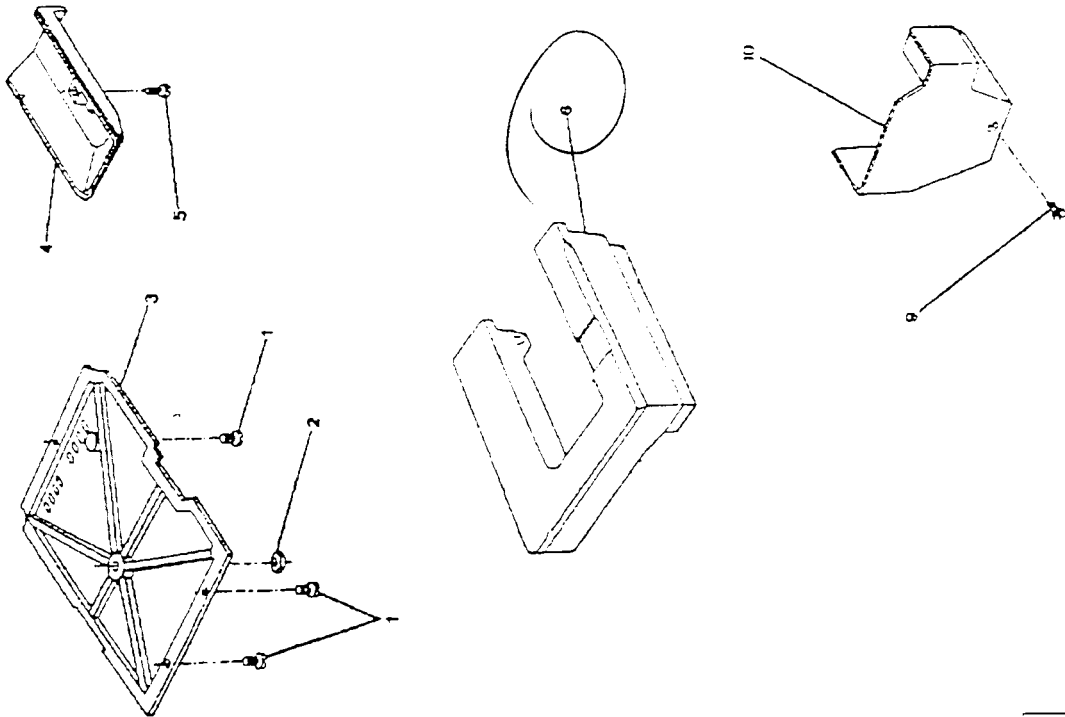
ARM TOP COVER



REV: \_\_\_\_\_  
DATE: DEC/98



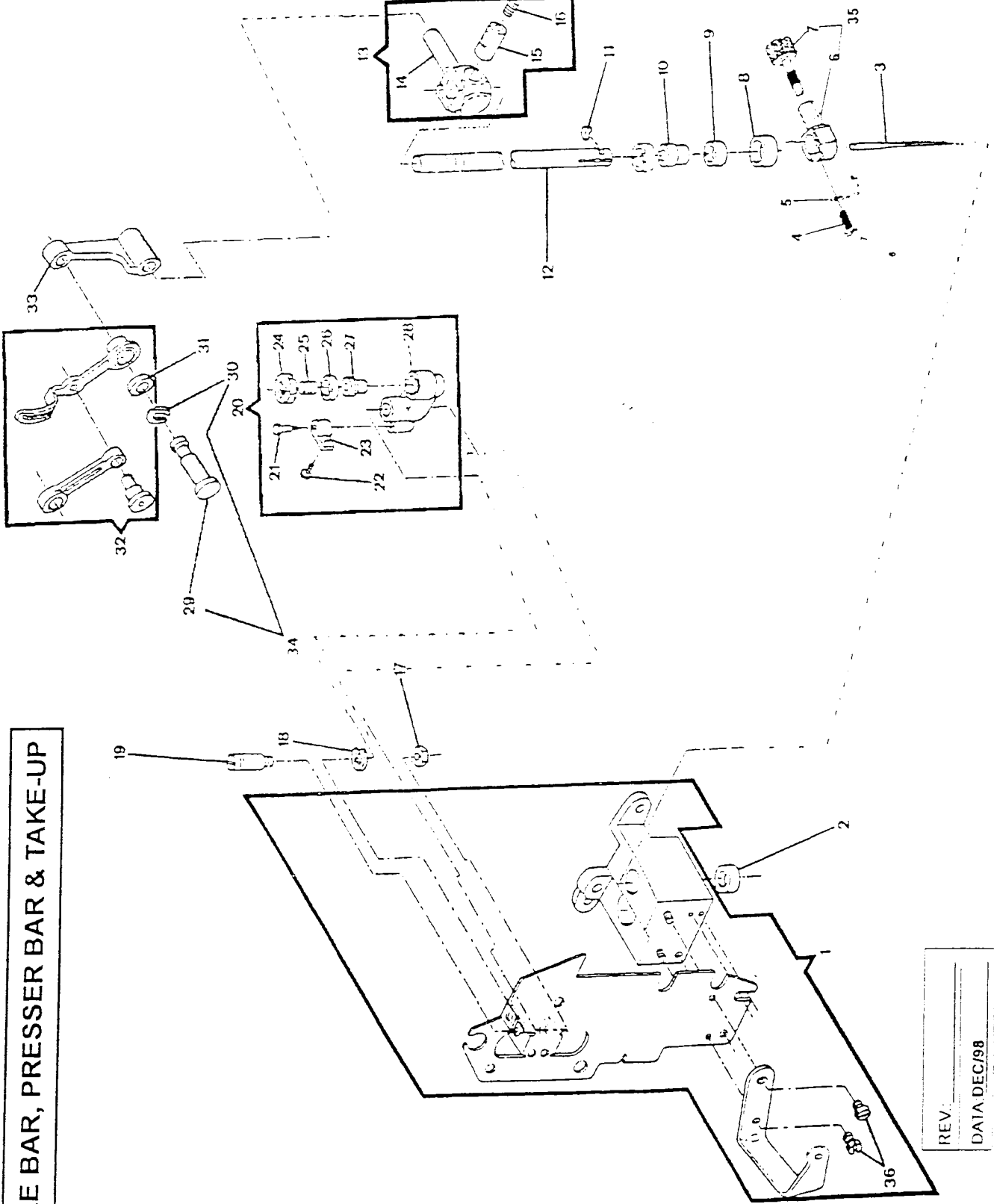
COVERS & ADD-ONS



REV:	
DATA:	DEC/98



NEEDLE BAR, PRESSER BAR & TAKE-UP

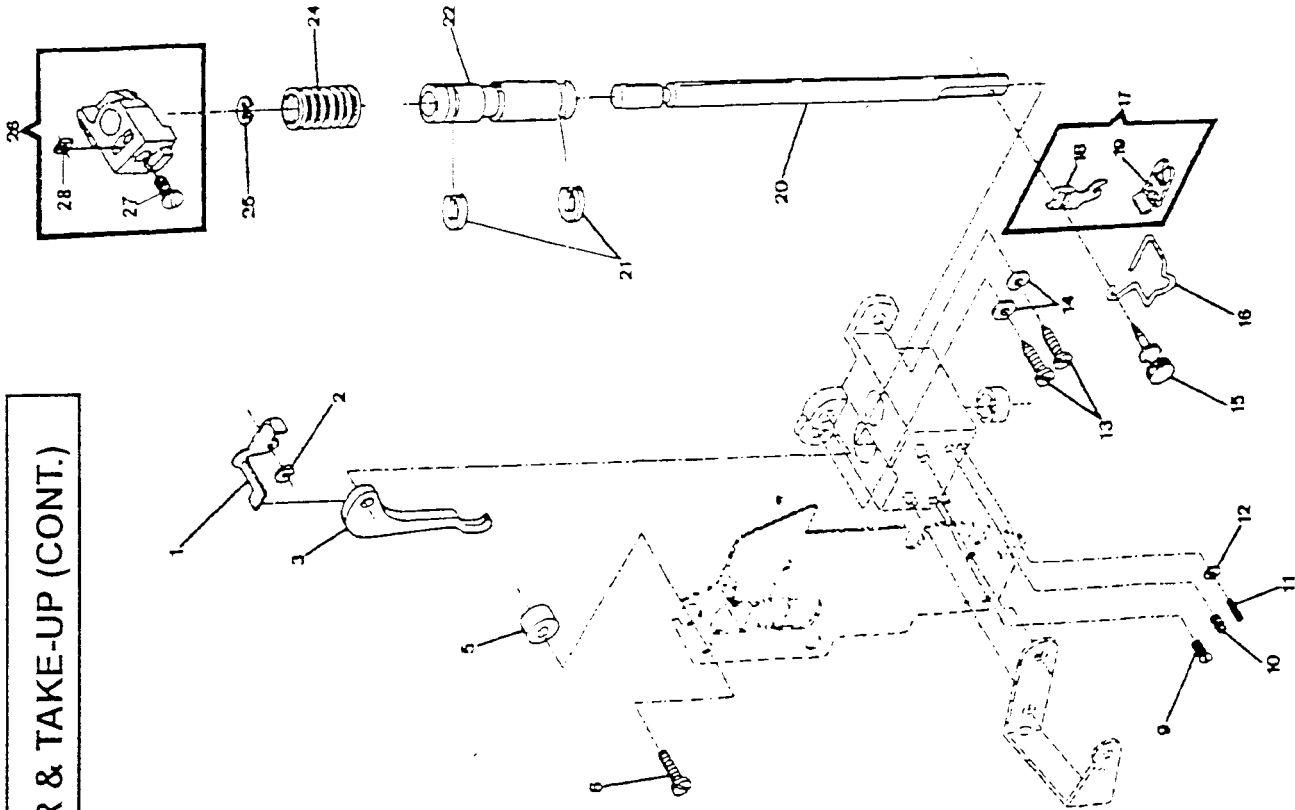


REV: \_\_\_\_\_  
DATE: DEC/98





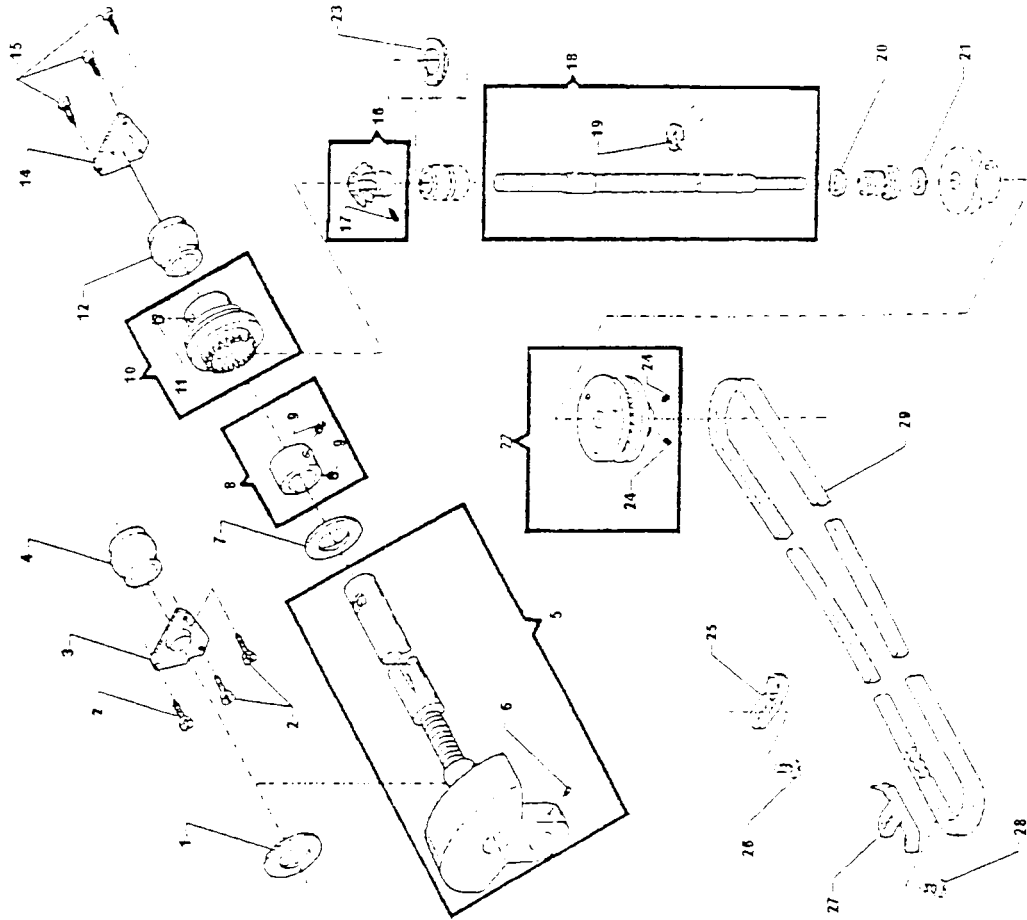
NEEDLE BAR, PRESSER BAR & TAKE-UP (CONT.)



REV:	
DATA:	DEC/98



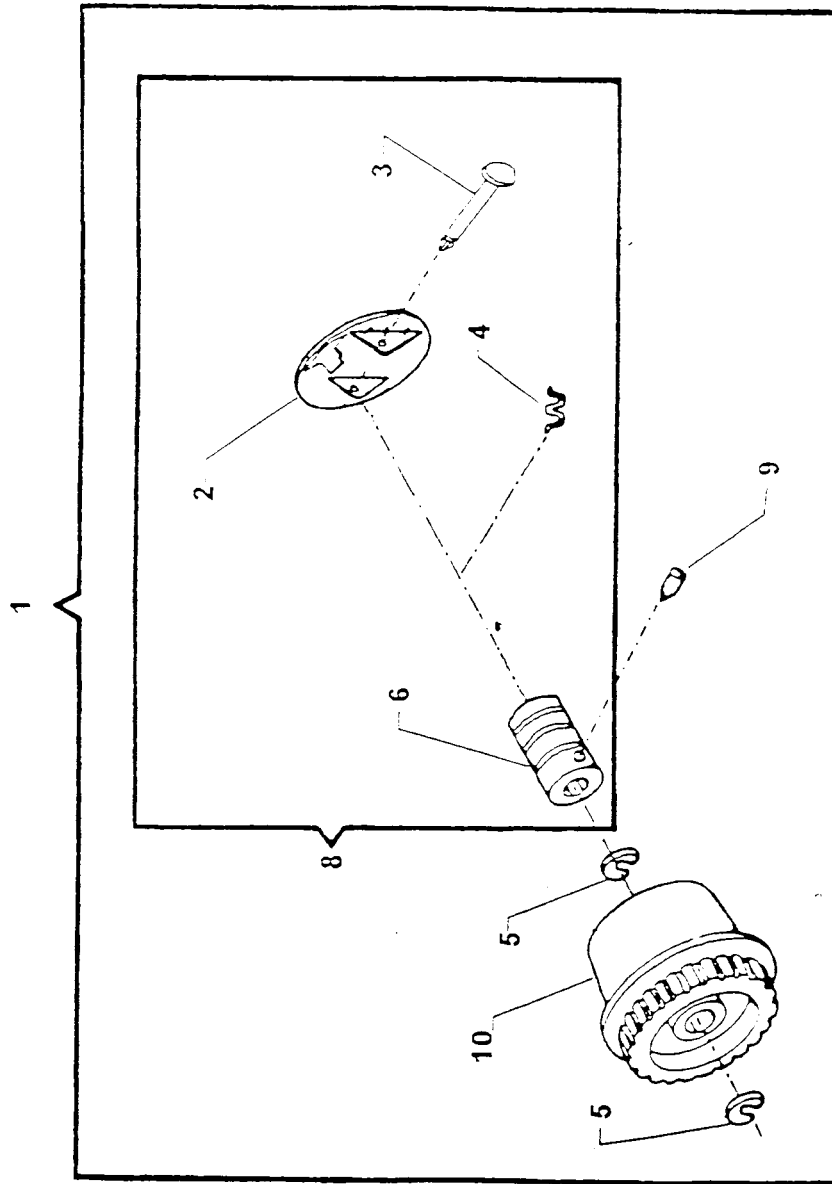
# ARM SHAFT DRIVE



REV:	
DATA:	DEC/98



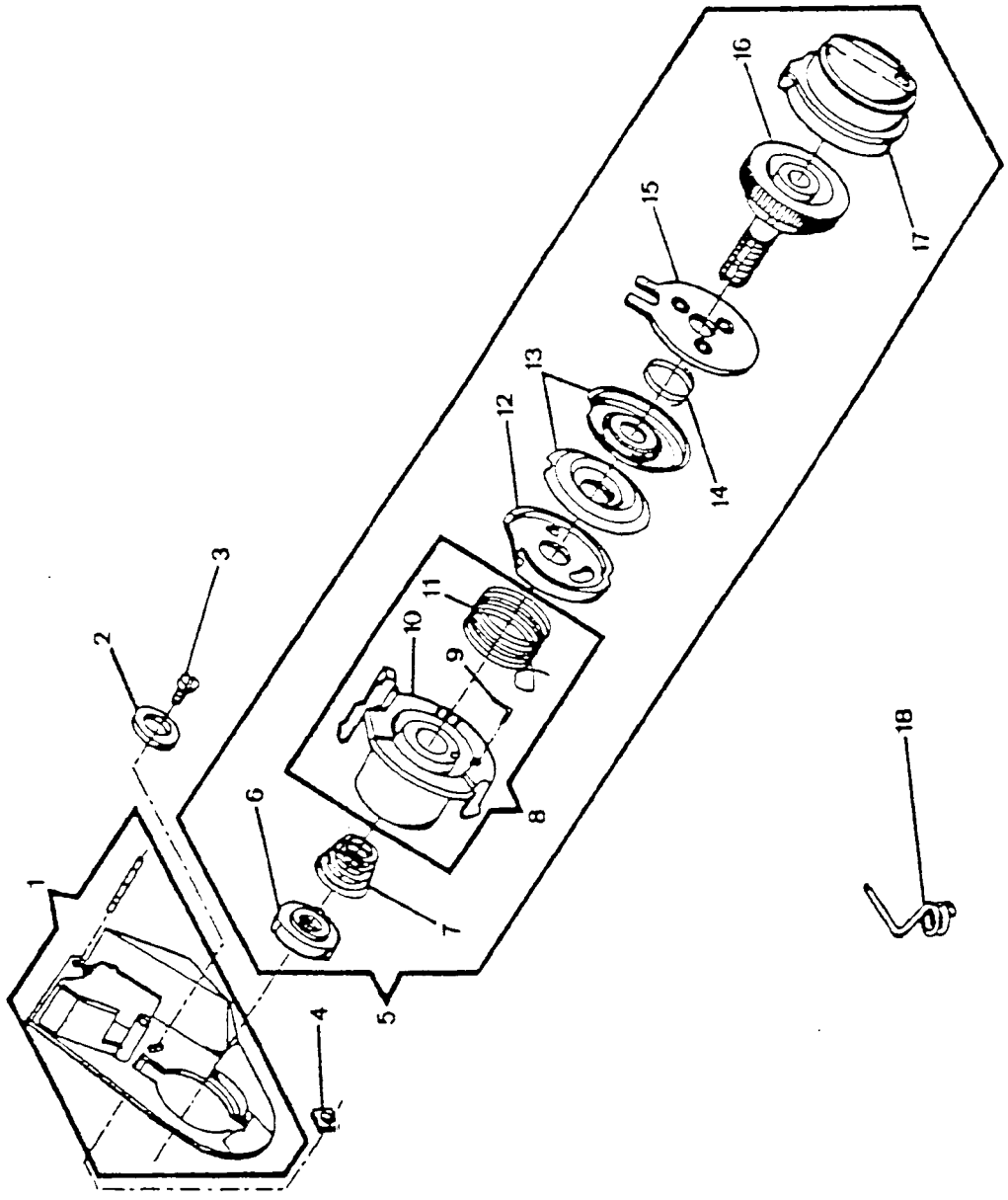
HAND WHEEL



REV.	
DATA	DEC/98



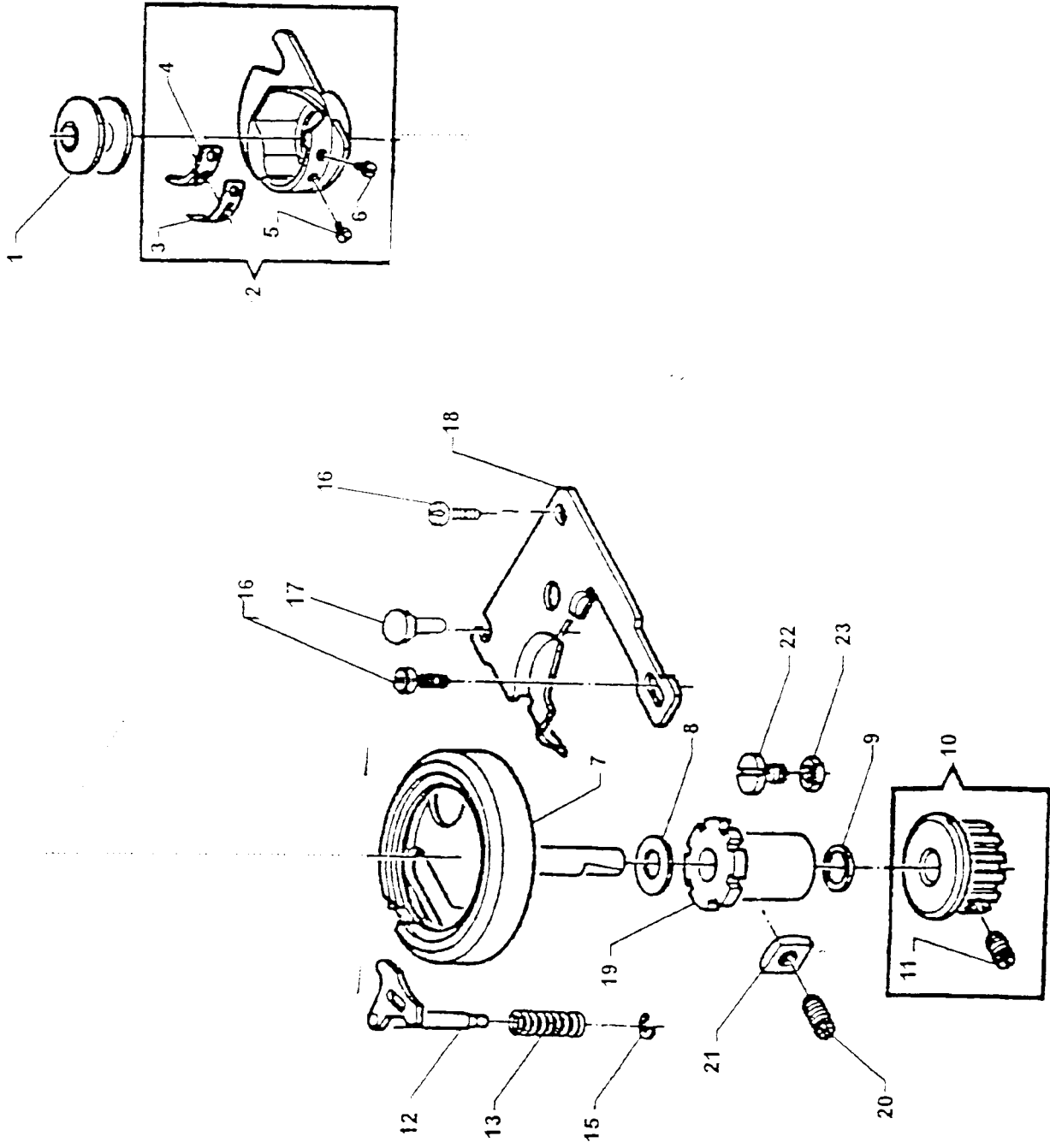
TENSION MECHANISM



REV: \_\_\_\_\_  
DATE DEC/98



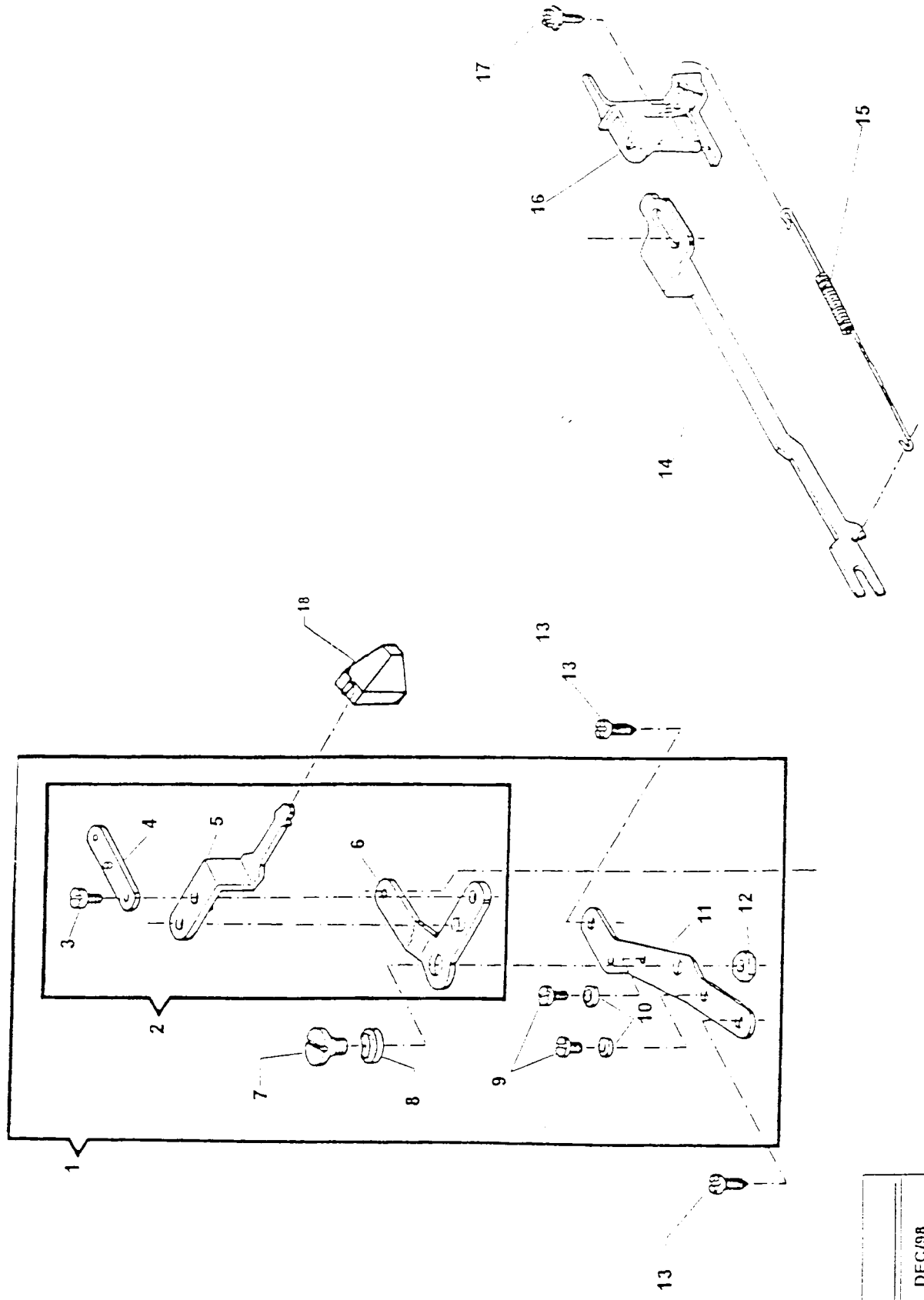
**HOOK SYSTEM**



REV.	
DATE	DEC/98



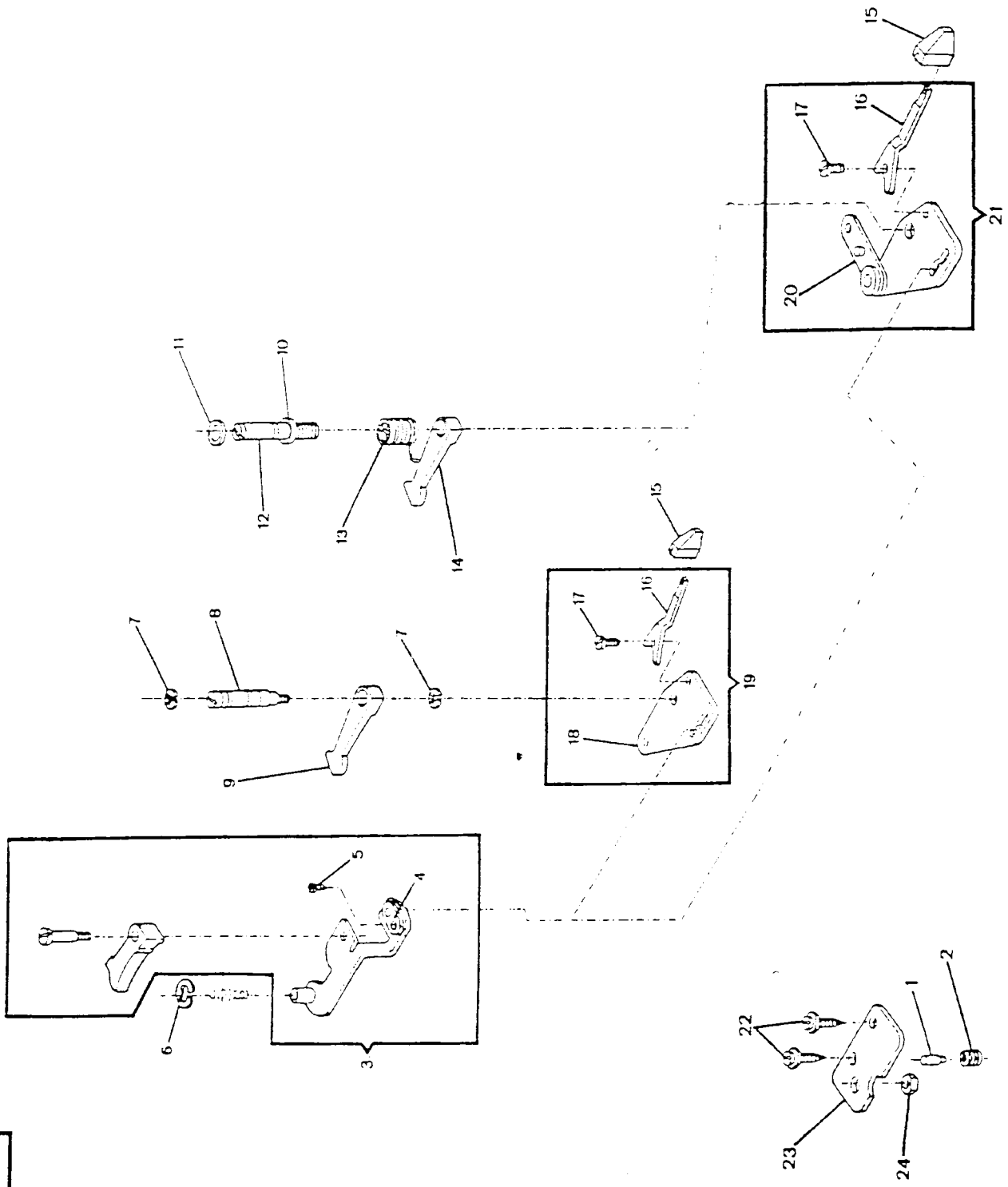
BIGHT AMPLITUDE



REV:	
DATA:	DEC/98



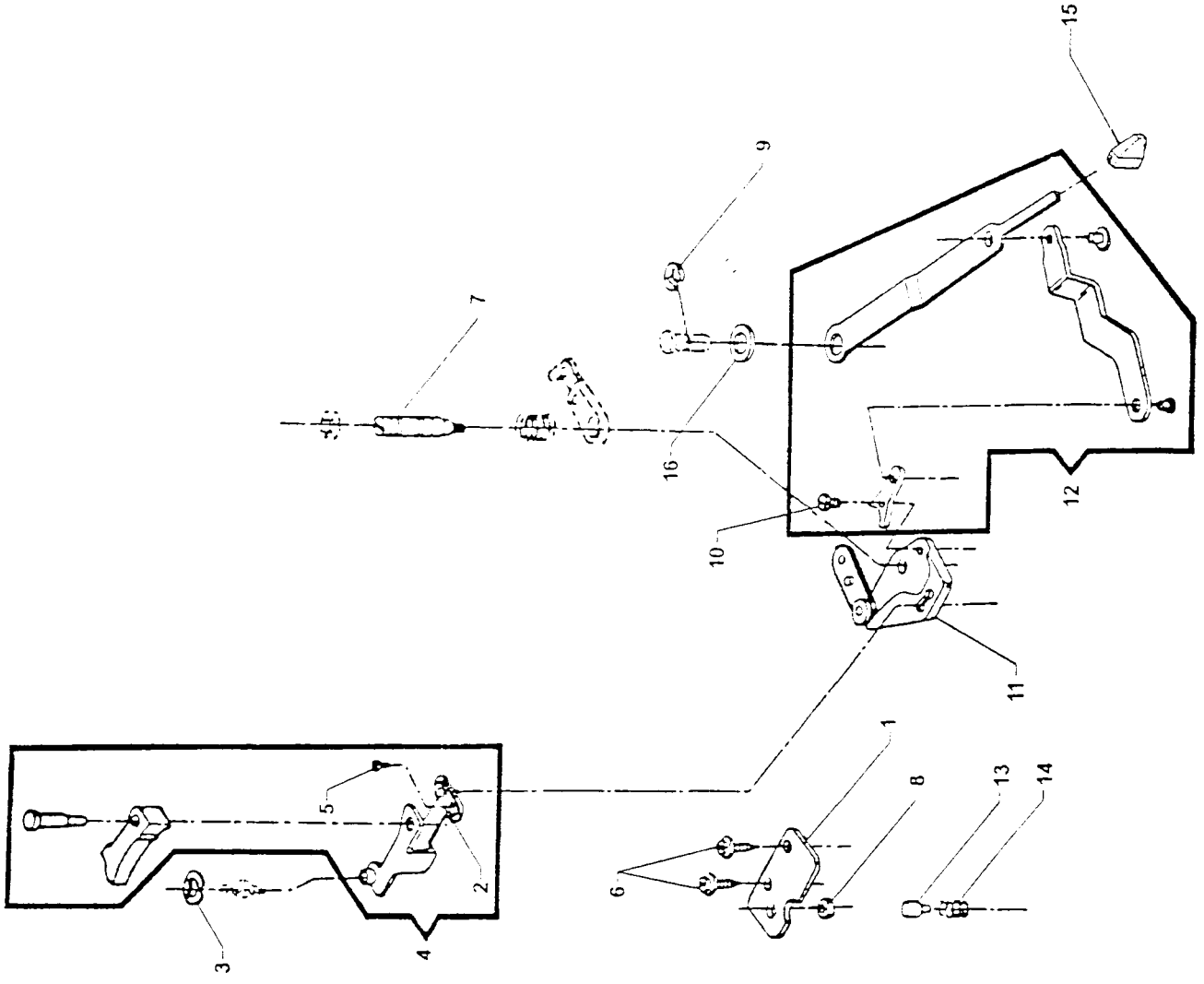
**NEEDLE POSITION**



REV: \_\_\_\_\_  
DATA: DEC/98



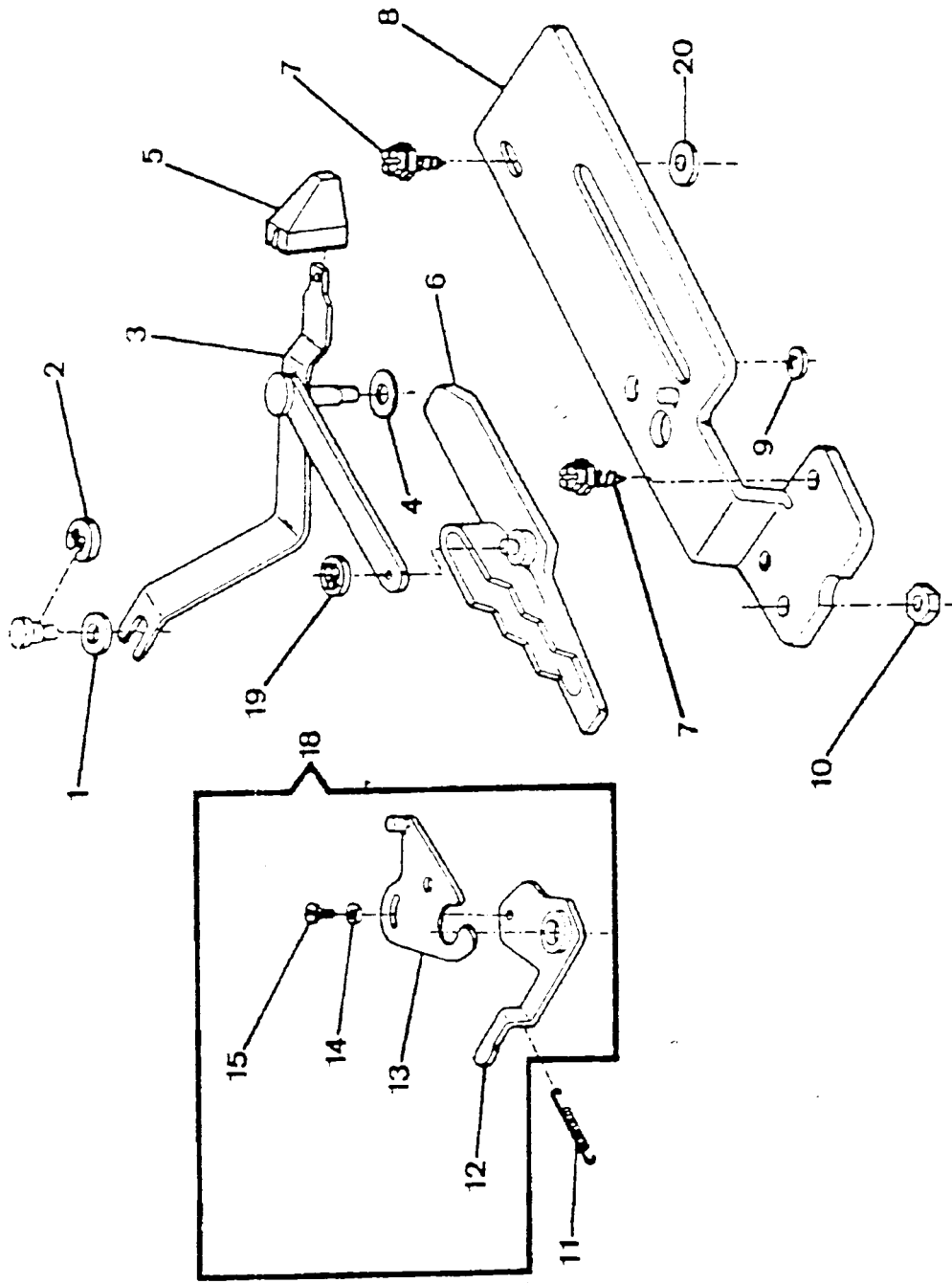
NEEDLE POSITION



REV:	
DATA:	DEC/98



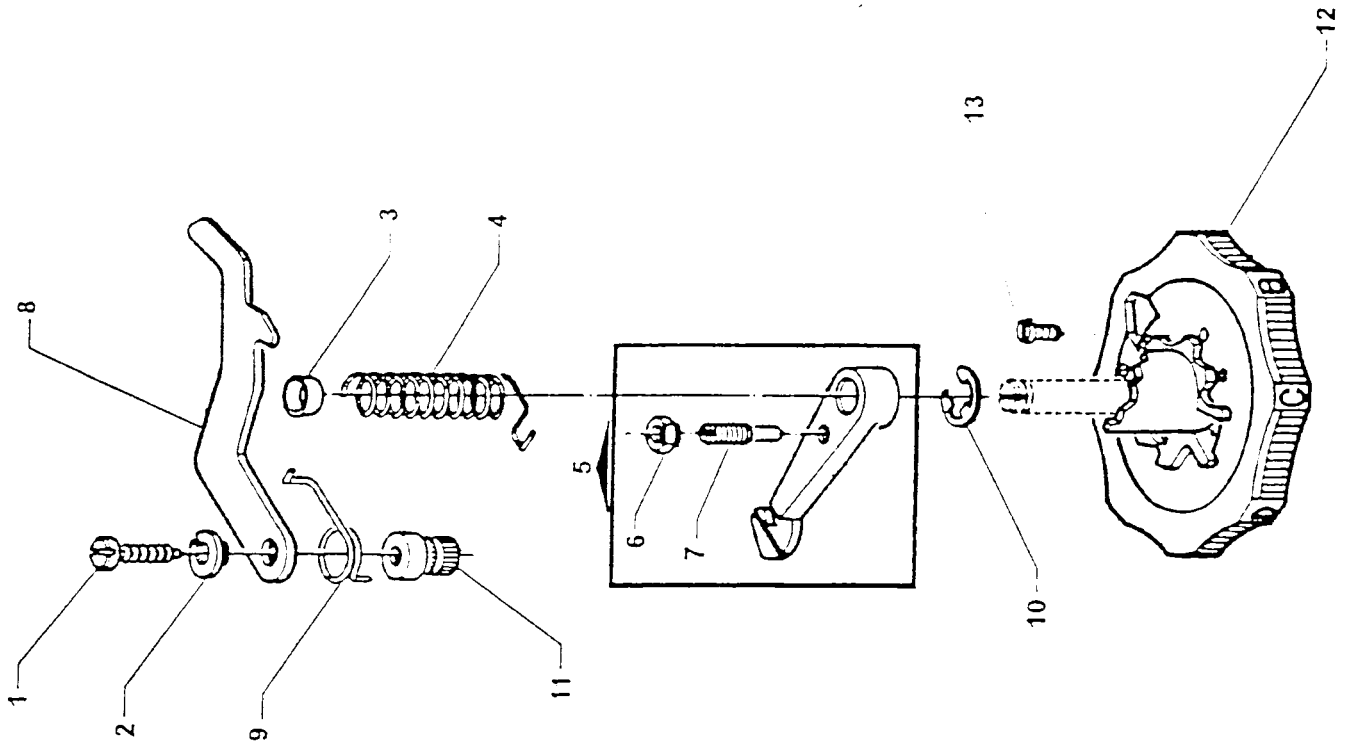
DISC SELECTOR ASSEMBLY



REV: \_\_\_\_\_  
DATA: DEC/98



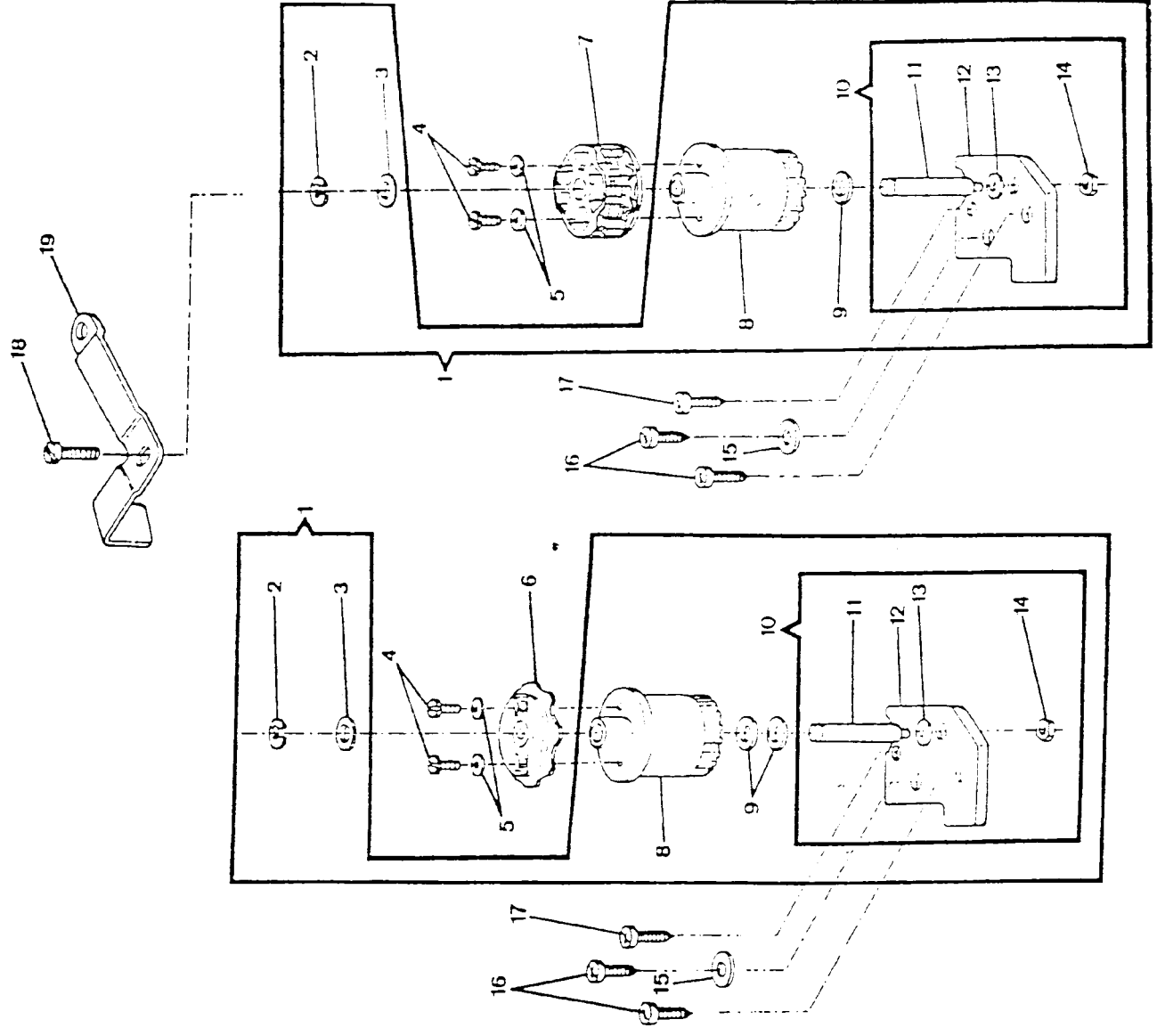
PATTERN SELECTOR



REV.	
DATA	DEC/98



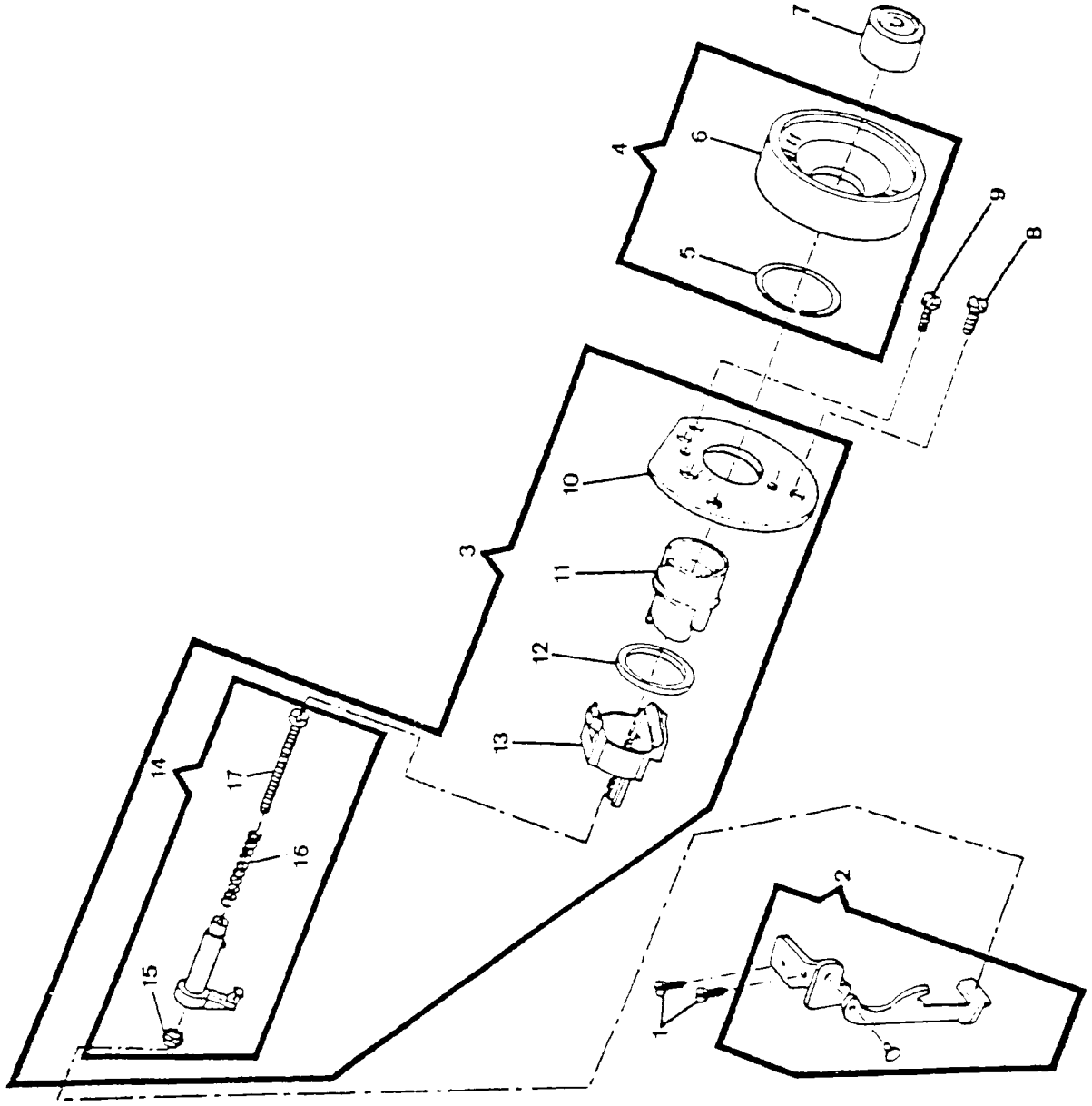
# CAM STACK



REV.:  
DATA: DEC/98



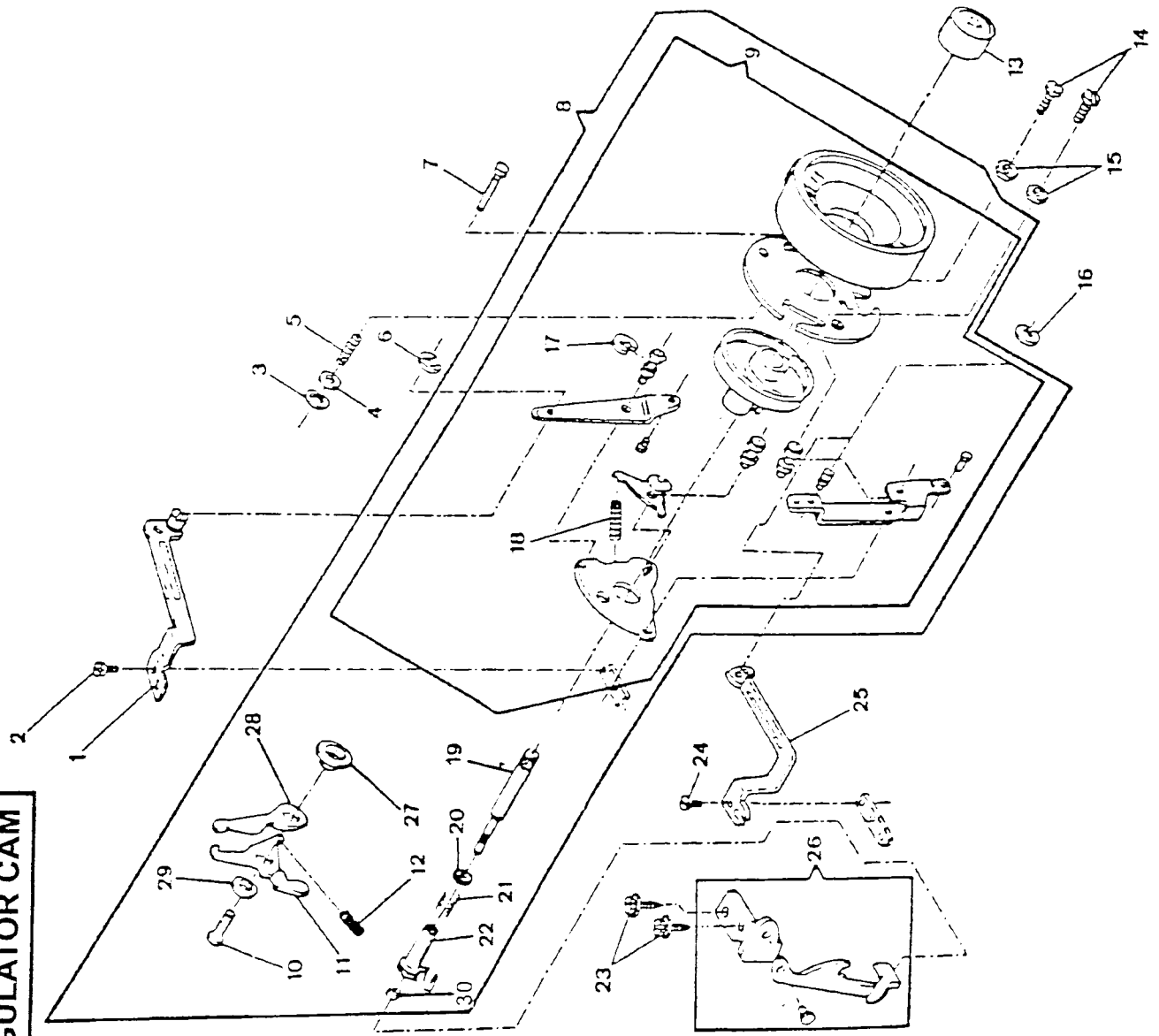
**FEED REGULATOR CAM**



REV: \_\_\_\_\_  
DATA: DEC/98



# BUTTONHOLER & FEED REGULATOR CAM

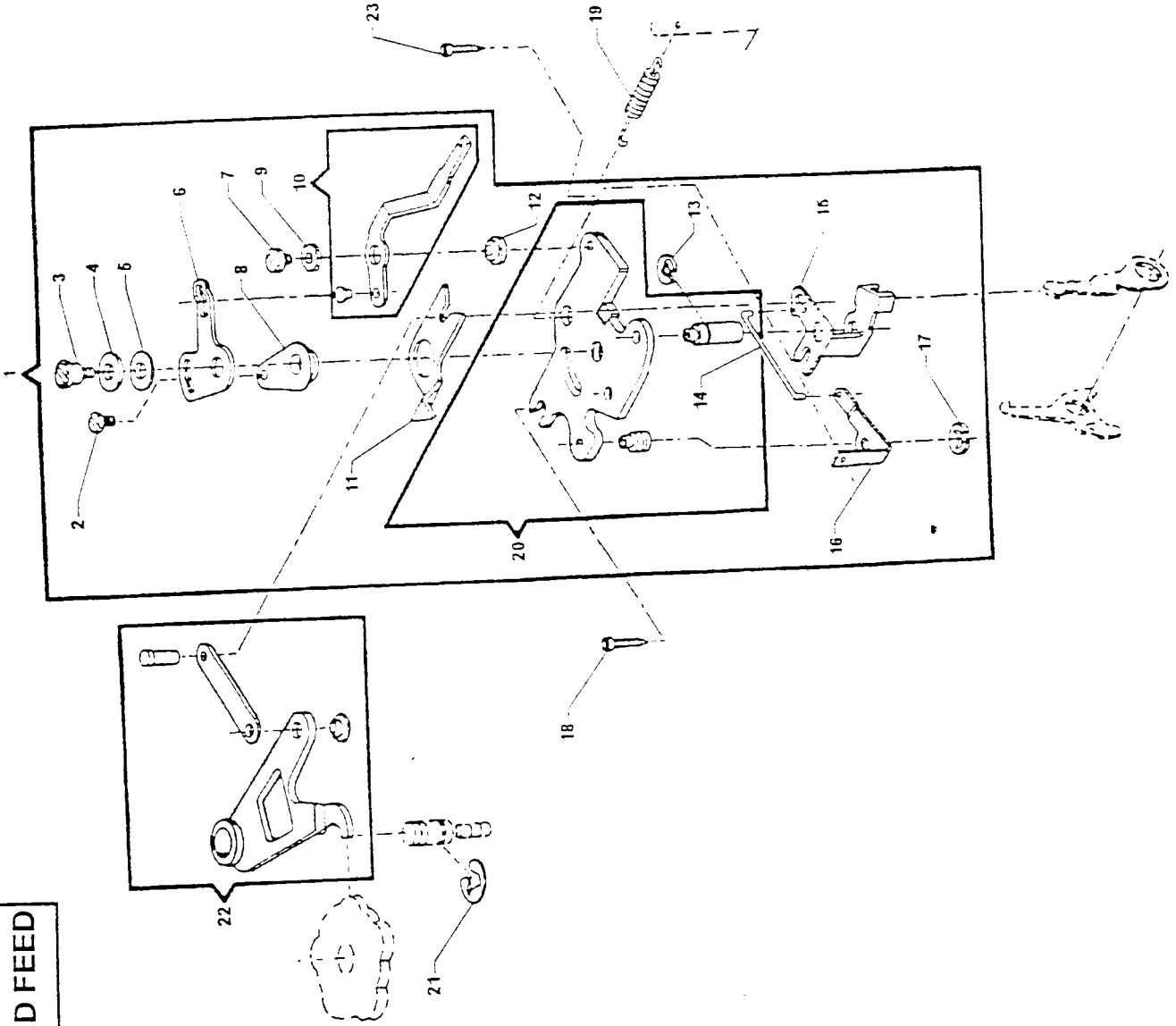


REV:	
DATA:	DEC/98





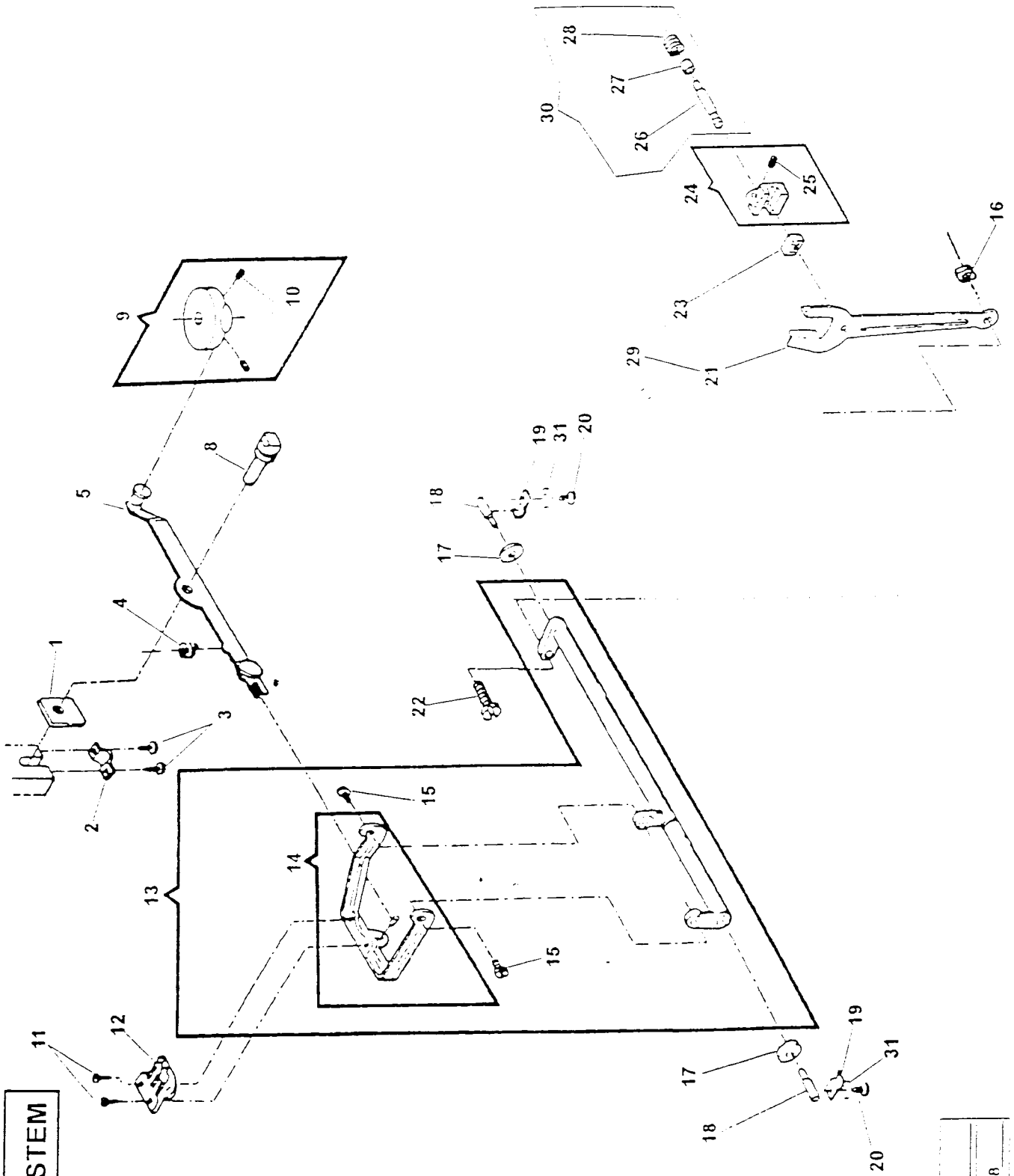
CAM CONTROLLED FEED



REV:	
DATA:	DEC/98

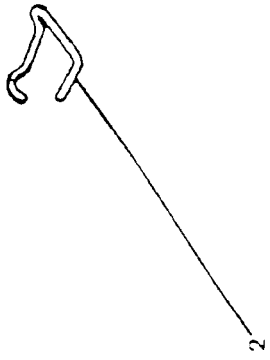


FEED SYSTEM

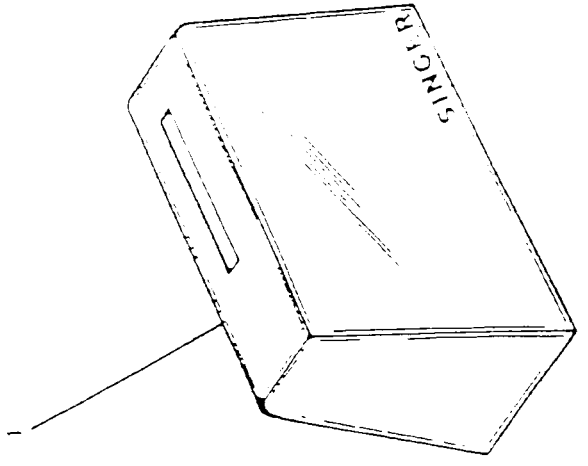


REV: \_\_\_\_\_  
DATE: DEC/98





2

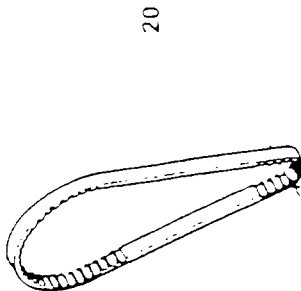
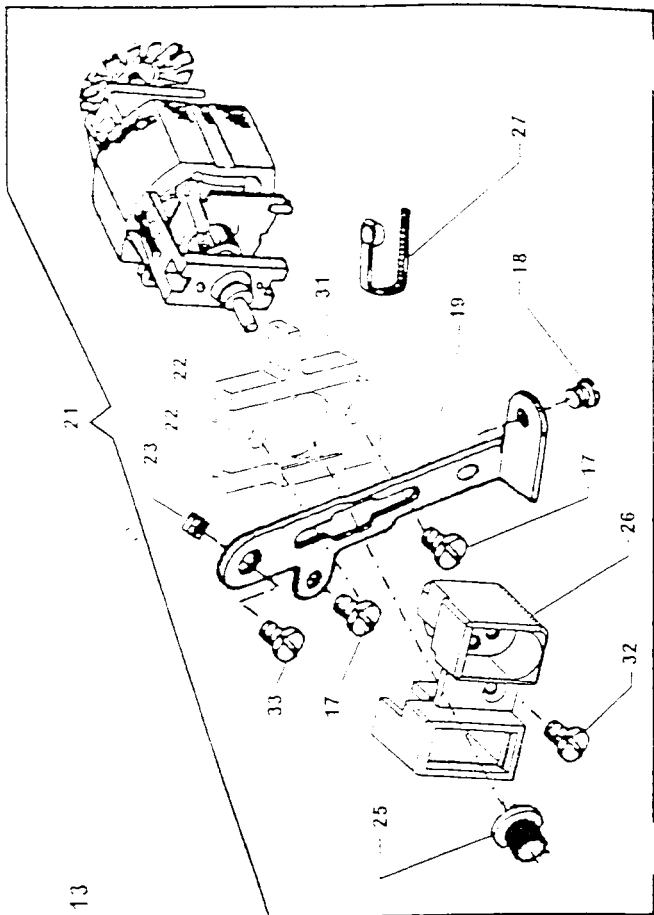
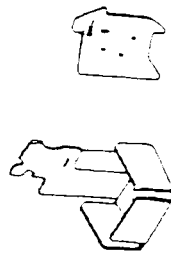
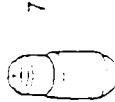
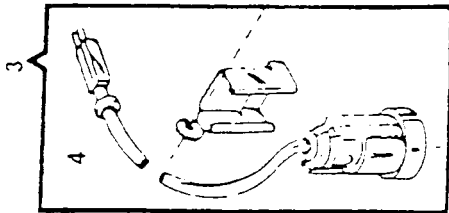
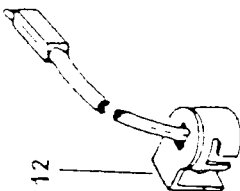
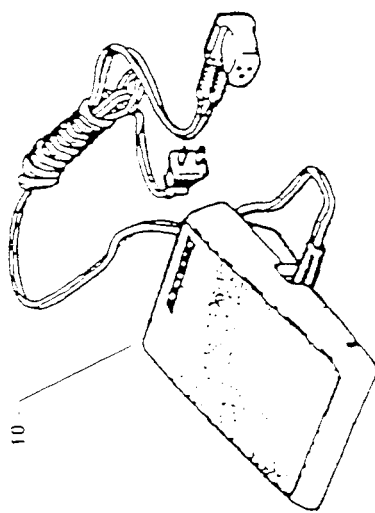


OPTIONS

REV: \_\_\_\_\_  
DATE: DEC/98



ELECTRICAL EQUIPMENT



REV \_\_\_\_\_  
DATE DFC/98



**ELECTRICAL EQUIPMENT**

REF.		U.S. (120V)	CANADA (120V)	EUROPE (220V)	GREAT BRITAIN (240V)
12	1 SPEED UNSUPRESSED LIGHT COMPLETE	362160-002	362160-002		
21	MOTOR COMPLETE	362180-012	362180-012		
22	SERIES MOTOR MODULE	988752-010	988752-010		
26	COMUTATOR END	362239-012	362239-012		
10	CONTROLLER	362095-001	362095-001		
09	SWITCH COMPLETE	362307-003	362307-003		
11	LIGHT CONNECTOR HARNESS	988764-003	988764-003		
REF.	1 SPEED SUPRESSED				
03	LIGHT COMP.			605488-025	605488-025
21	MOTOR COMPLETE			362180-016	362180-016
22	SERIES MOTOR MODULE			988752-011	988752-011
26	COMUTATOR END			362239-016	362239-016
10	CONTROLLER			362095-002	362095-015
9	SWITCH COMPLETE			988763-004	988763-004
11	LIGHT CONNECTOR HARNESS			988768-003	988768-003

REV: \_\_\_\_\_  
 DATA: DEC/98

**ELECTRICAL EQUIPMENT**

REF.		ASIA & AFRICA & SOUTH AMERICA FLAT BLADE (120V)	ASIA & AFRICA & SOUTH AMERICA FLAT BLADE (220V)	AFRICA & SOUTH AMERICA ROUND PIN (120V)	AMEDO ROUND PIN (220V)
12	1 SPEED UNSUPRESSED LIGHT COMPLETE	362001-007	362001-007	362001-007	362001-007
21	MOTOR COMPLETE	362180-013	362180-014	362180-013	362180-014
22	SERIES MOTOR MODULE	362207-005	362207-006	362207-005	362207-006
26	COMUTATOR END	362239-013	362239-014	362239-013	362239-014
10	CONTROLLER	362095-007	362095-008	362095-005	362095-006
09	SWITCH COMPLETE	362307-001	362307-001	362307-001	362307-001
11	LIGHT CONNECTOR HARNESS	988764-005	988764-005	988764-005	988764-005

REV:

DATA: DEC/98

**ELECTRICAL EQUIPMENT**

REF	DESCRIPTION	AFRICA & SOUTH AMERICA ROUND PIN (220V)	SOUTH AFRICA ROUND PIN (220V)	AUSTRALIA (240V)
12	1 SPEED UNSUPRESSED LIGHT COMPLETE	362001-007	362001-007	
24	MOTOR COMPLETE	362180 014	362180-013	
22	SERIES MOTOR MODULE	362207-006	362207 005	
26	COMUTATOR END	362239 014	362239-013	
10	CONTROLLER	362095-006	362095-005	
09	SWITCH COMPLETE	362307-001	362307-001	
11	LIGHT CONNECTOR HARNESS	988764 005	988764 005	
REF.	1 SPEED SUPRESSED			605408-025
03	LIGHT COMPLETE			362180-016
21	MOTOR COMPLETE			988752-011
22	SERIES MOTOR MODULE			362239 016
26	COMUTATOR END			362095-010
10	CONTROLLER			988763-004
09	SWITCH - 2 SPEED			988768-003
11	LIGHT CONNECTOR HARNESS			

REV: \_\_\_\_\_  
 DATA: DEC/98