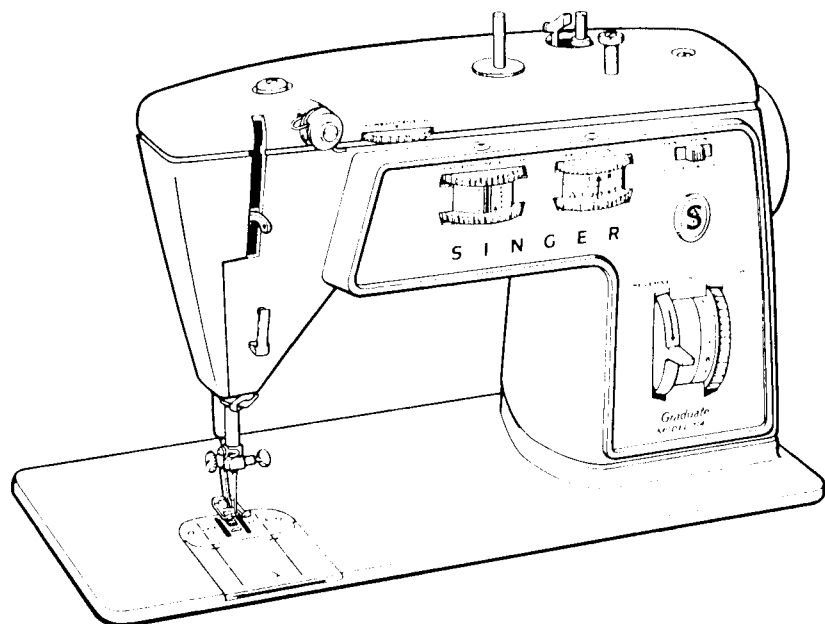


SINGER
714E18/714E28

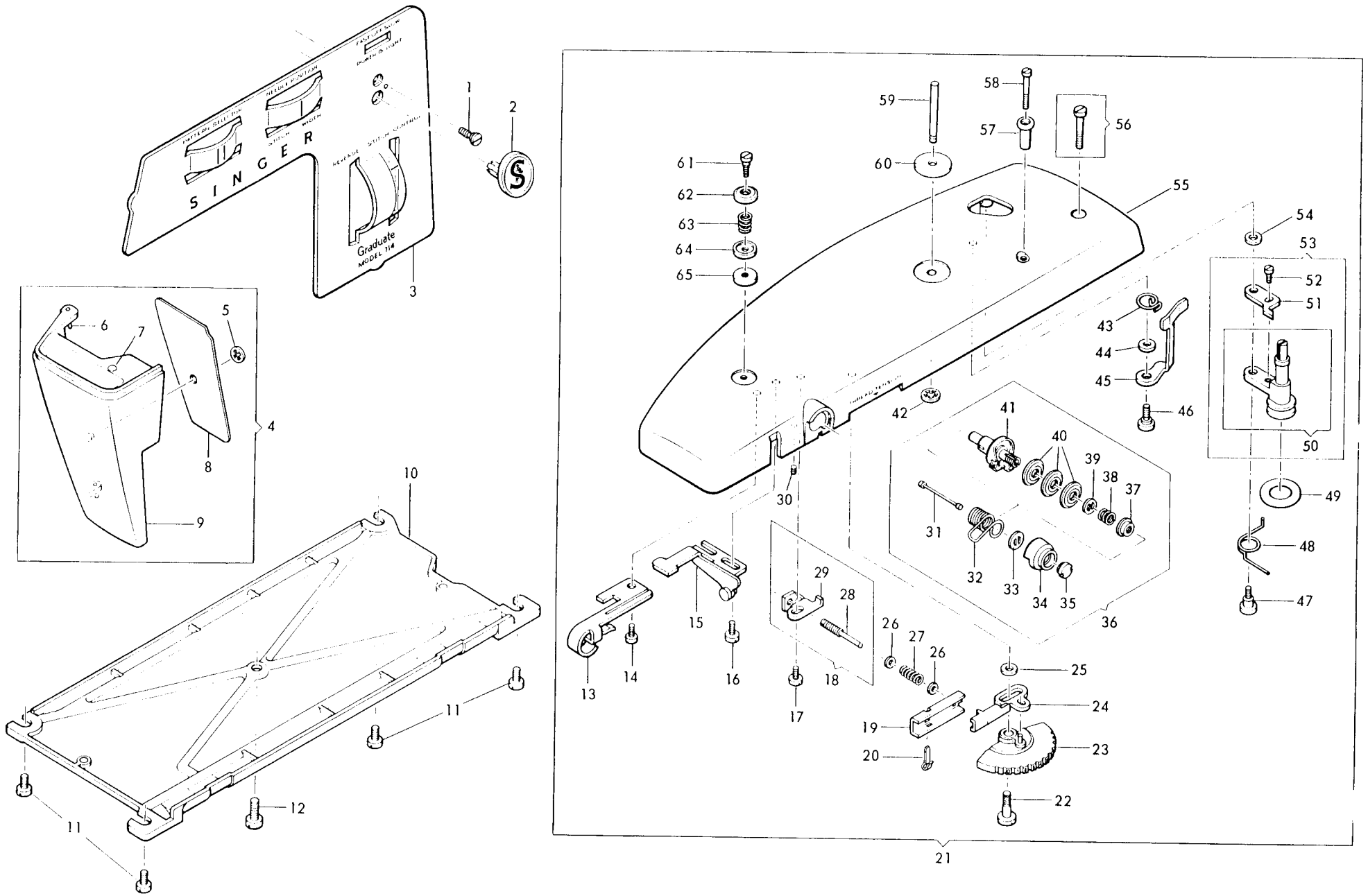
List of Parts--Machines Nos. 714E18 and 714E28



ATTACHMENT SET 381168

- 103488 Needle Pack (plastic)
- 161166 Presser Foot (hinged, adjustable for Sewing either on right or left side of needle) for Cording & Slide Fasteners Complete
- 161172 Seam and Blindstitch Hem Guide complete
- 161295 Screw Driver (small)
- 163374 Presser Foot (hinged) Complete for Overedging
- 171137 Throat Plate, for Straight Sewing
- 171138 Feed Cover Plate, for Darning and Embroidery
- 171387 Right Amplitude and Needle Position Control Dials and Disc Selector Dial Locking Screw Stud Key
- 172222 Bobbin (3)
- 181545 Presser Foot (hinged) Complete for Straight Sewing

List of Parts--Machines Nos. 714E18 and 714E28

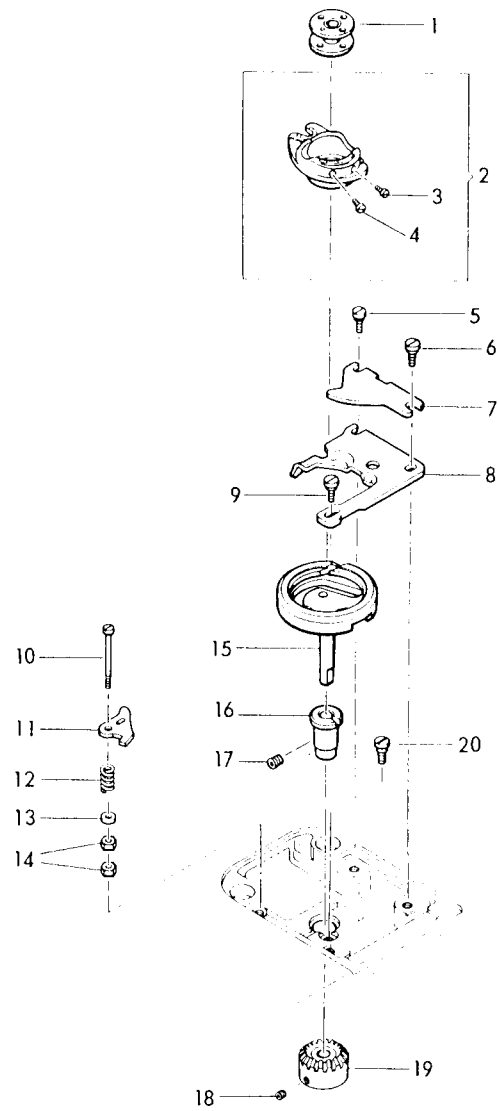


List of Parts--Machines Nos. 714E18 and 714E28

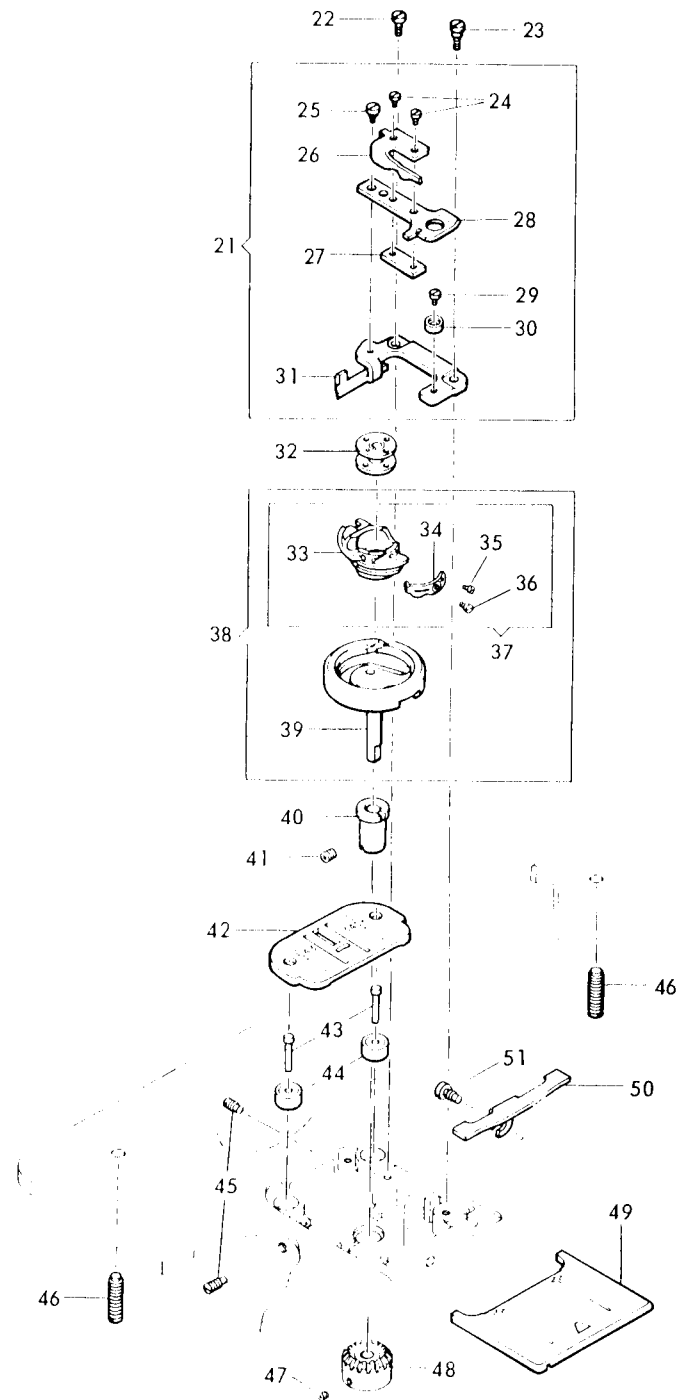
REF. NO.	PART NO.	DESCRIPTION	REF. NO.	PART NO.	DESCRIPTION	REF. NO.	PART NO.	DESCRIPTION
1	141890-819	Control Panel Screw	22	141876-803	Tension Indicator Dial Hinge Screw	44	172556	Bobbin Winder Stop Latch Spring Spacer
2	174445	Control Panel Insert	23	174400-656	Tension Indicator Dial (plastic)	45	172964	Bobbin Winder Stop Latch
3	382448	Control Panel	24	174403	Tension Regulating Slide	46	139946-803	Bobbin Winder Stop Latch Hinge Screw
4	174178-656	Face Plate with 21440-814, 172804, 174470-656 and two 170032	25	172675	Tension Indicator Dial Washer	47	141929-803	Bobbin Winder Frame Hinge Screw
5	172804	Threading Diagram Retainer	26	172731	Tension Spring Adjusting Screw Washer (2)	48	163637	Bobbin Winder Frame Spring
6	170032	Face Plate Hinge Pin (2)	27	172865	Tension Spring	49	15287-656	Bobbin Winder Friction Ring
7	21440-814	Face Plate Catch Locking Pin	28	139925-451	Tension Spring Adjusting Screw	50	163635	Bobbin Winder Frame with 32771 and 45836
8	174470-656	Threading Diagram	29	172866	Tension Spring Adjusting Screw Mounting Bracket	51	163643	Bobbin Winder Tripping Arm
9	174177-656	Face Plate with 21440-814 and two 170032	30	139878-669	Tension Stud Set Screw	52	227-805	Bobbin Winder Tripping Arm Adjusting Screw
10	174471-656	Red Cover Plate (bottom, plastic)	31	174397	Tension Disc Pressure Pin	53	163636	Bobbin Winder Frame 163636 with 227-805 and 163643
11	141860-814	Red Cover Plate (bottom) Screw (4)	32	174416	Thread Take-up Spring	54	172556	Bobbin Winder Frame Spring Spacer
12	354106-451	Bed Cover Plate (bottom) Fastening and Cable Clamp Screw	33	174394	Tension Cap and Slack Thread Regulator Friction Washer	55	174360-656	Arm Top Cover
13	182198	Face Plate Catch	34	174393-656	Tension Cap and Slack Thread Regulator (plastic)	56	141949-873	Arm Top Cover Screw
14	141246-814	Face Plate Catch Screw	35	174395-839	Tension Cap and Slack Thread Regulator Nut	57	163642	Bobbin Winder Thread Post
15	174406	Tension Releasing Lever	36	172820-656	Tension complete, Nos. 172690, 174393-656, 174394, 174395-839, 174397, 174398, 174416, 174418, 174419 and three 174395	58	141932-856	Bobbin Winder Thread Post Screw
16	141877-814	Tension Releasing Lever Mounting Bracket Screw	37	174419	Pre-Tension Spring Adjusting Nut	59	172908	Arm Top Cover Spool Pin
17	141879-803	Tension Spring Adjusting Screw Mounting Bracket Screw	38	174418	Pre-Tension Spring	60	8879-726	Arm Top Cover Spool Pin Washer (felt)
18	172867	Tension Spring Adjusting Screw Mounting Bracket 172866 with 139925-451	39	174398	Tension Disc Pressure Plate	61	141931-855	Bobbin Winder Tension Disc Cover Screw
19	174404	Tension Regulating Slide Plate	40	174396	Tension Disc (3)	62	172557	Bobbin Winder Tension Disc Cover
20	172906	Tension Regulating Slide Plate Spring Clip	41	172690	Tension Stud	63	45847	Bobbin Winder Tension Disc Spring
21	182215-451	Arm Top Cover complete, Nos. 8879-726, 15287-656, 45847, 129158, 139878-869, 139946-803, 141246-814, 141876-803, 141877-814, 141879-803, 141929-803, 141931-855, 141932-856, 163636, 163637, 163641, 163642, 171163, 172557, 172558, 172675, 172820-656, 172865, 172867, 172906, 172908, 172964, 174360-656, 174400-656, 174403, 174404, 174406, 182198 and two each 172556 and 172731	42	171163	Arm Top Cover Spool Pin Retaining Ring	64	172558	Bobbin Winder Tension Disc Spacer
			43	163641	Bobbin Winder Stop Latch Spring	65	129158	Bobbin Winder Tension Disc

List of Parts--Machines Nos. 714E18 and 714E28

APOLLO HOOK SYSTEM (Plastic bobbin case)



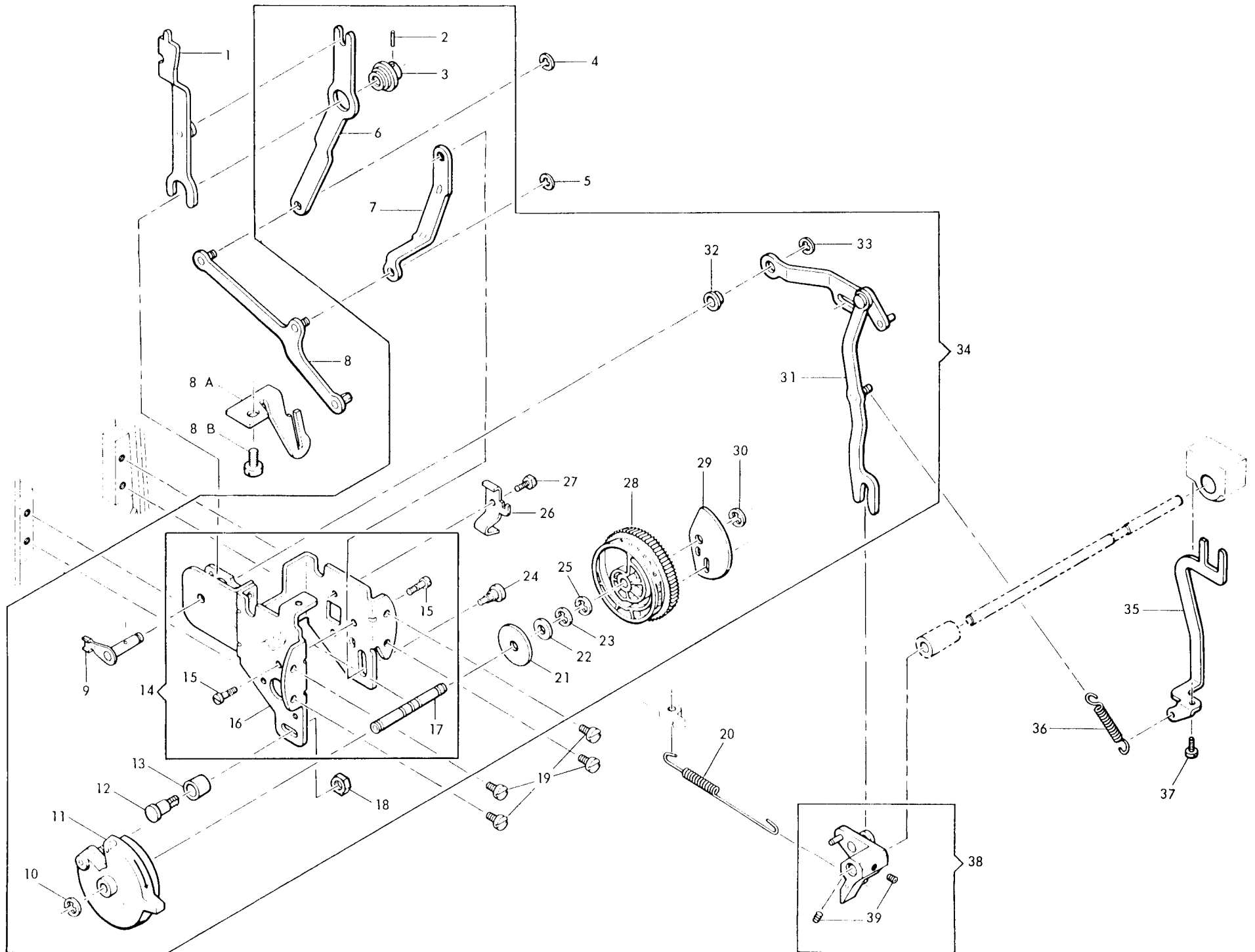
401 TYPE HOOK SYSTEM (Metal bobbin case)



List of Parts--Machines Nos. 714E18 and 714E28

REF. NO.	PART NO.	DESCRIPTION	REF. NO.	PART NO.	DESCRIPTION	REF. NO.	PART NO.	DESCRIPTION
1	172222	Rotating Hook Bobbin	17	354103-451	Rotating Hook Flanged Bushing Set Screw	31	102833-001	Rotating Hook Bobbin Case Position Finger
2	310885	Rotating Hook Bobbin Case with 139975-803 and 354183-451	18	141338-869	Rotating Hook Bevel Gear (plastic) Set Screw	32	172222	Rotating Hook Bobbin
3	139975-803	Rotating Hook Bobbin Case	19	163329	Rotating Hook Bevel Gear (plastic) with 141338-869	33	172082	Rotating Hook Bobbin Case
4	354183-451	Tension Spring Segment Screw	20	354162-451	Rotating Hook Flanged Bushing (eccentric) Position Adjusting Screw	34	172202	Rotating Hook Bobbin Case Tension Spring
5	354225-451	Rotating Hook Bobbin Case Position Plate and Retaining Plate (adjustable) Adjusting Screw (back)	21	182229	Rotating Hook Bobbin Case Position Finger and Cushion Spring Bracket complete, Nos. 102833-001, 141345-819, 141346-850, 153375, 155463, 155464, 155467, 50202-833 (2)	35	141030-830	Rotating Hook Bobbin Case Tension Spring Screw
6	354228-451	Rotating Hook Bobbin Case Position Plate and Retaining Plate (adjustable) Adjusting Screw (front)	22	354074-451	Rotating Hook Bobbin Case Position Finger Screw (back)	36	1172-806	Rotating Hook Bobbin Case Tension Regulating Screw
7	381903	Rotating Hook Bobbin Case Retaining Plate (adjustable)	23	354075-451	Rotating Hook Bobbin Case Position Finger Screw (front)	37	172083	Rotating Hook Bobbin Case 172082 with 1172-806, 141030-830 and 172202
8	44873	Rotating Hook Bobbin Case Position Plate	24	50202-833	Rotating Hook Bobbin Case Cushion Spring Screw (2)	38	163937	Rotating Hook 163651 with 172083
9	354161-451	Rotating Hook Bobbin Case Position Plate Screw	25	141346-850	Rotating Hook Bobbin Case Cushion Spring Bracket Hinge Screw	39	163651	Rotating Hook
10	381725	Rotating Hook Bobbin Case Retaining Plate Screw Stud	26	155463	Rotating Hook Bobbin Case Cushion Spring	40	382475	Rotating Hook Flanged Bushing (eccentric)
11	381890	Rotating Hook Bobbin Case Retaining Plate	27	155469	Rotating Hook Bobbin Case Cushion Spring Bracket Plate	41	354103-451	Rotating Hook Flanged Bushing (eccentric) Set Screw
12	319735	Rotating Hook Bobbin Case Retaining Plate Screw Stud Spring	28	153375	Rotating Hook Bobbin Case Cushion Spring Bracket	42	174198	Throat Plate, for zig-zag sewing
13	381728	Rotating Hook Bobbin Case Retaining Plate Screw Stud Washer	29	141345-819	Rotating Hook Bobbin Case Cushion Spring Adjusting Screw	43	174256	Throat Plate Catch Pin (2)
14	54595-451	Rotating Hook Bobbin Case Retaining Plate Screw Stud Nut (2)	30	155464	Rotating Hook Bobbin Case Cushion Spring Adjusting Screw Washer	44	507196	Throat Plate Securing Magnet (2)
15	163651	Rotating Hook				45	141825	Throat Plate Catch Pin Screw (2)
16	382429	Rotating Hook Flanged Bushing (eccentric)				46	139953-451	Machine Hinge Connection Set Screw (2)
						47	141338-869	Rotating Hook Bevel Gear (plastic) Set Screw
						48	163329	Rotating Hook Bevel Gear (plastic) with 141338-869
						49	172956	Bed Slide
						50	172957	Bed Slide Spring
						51	141810-833	Bed Slide Spring Screw

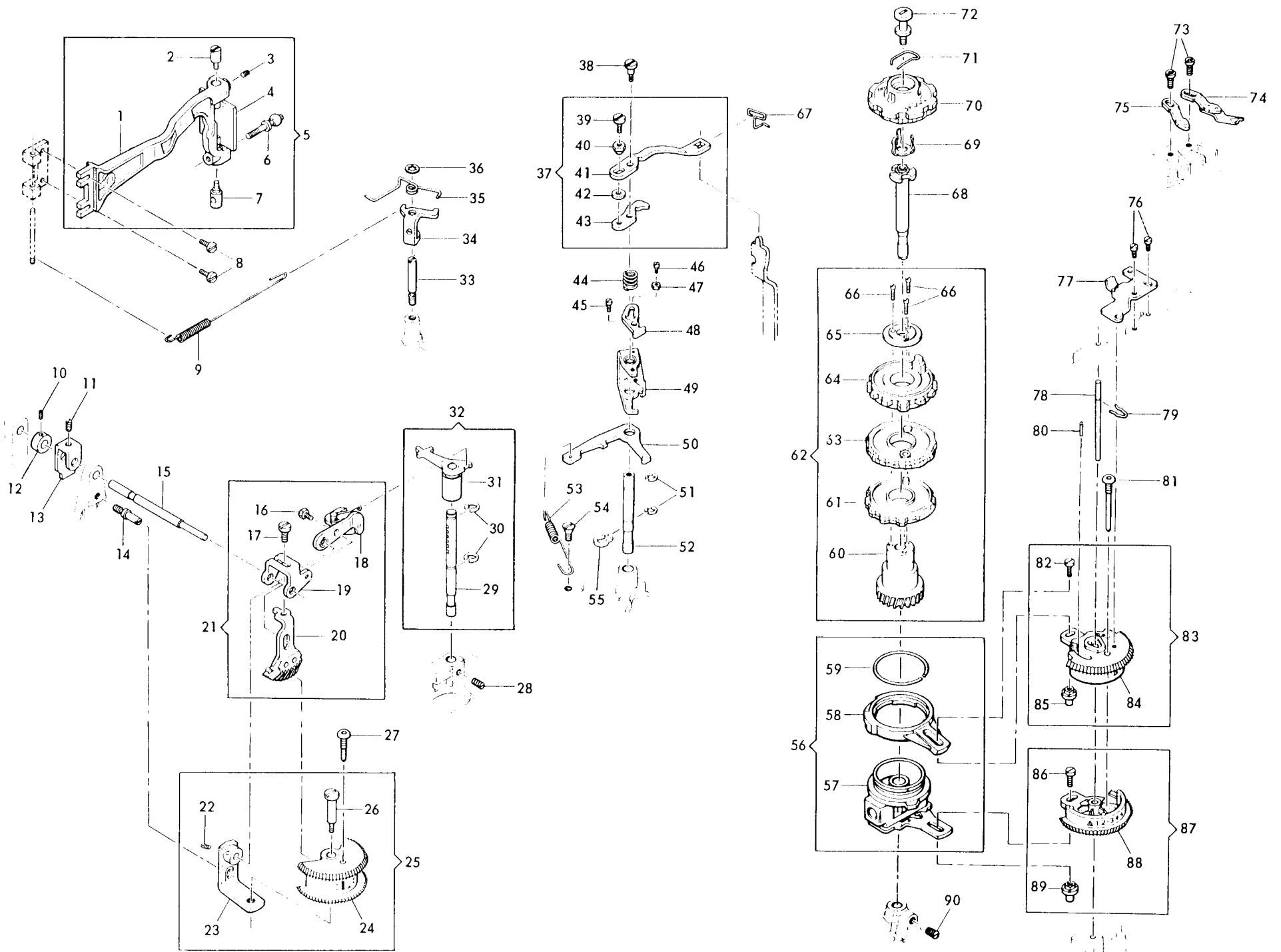
List of Parts--Machines Nos. 714E18 and 714E28



List of Parts--Machines Nos. 714E18 and 714E28

REF. NO.	PART NO.	DESCRIPTION	REF. NO.	PART NO.	DESCRIPTION	REF. NO.	PART NO.	DESCRIPTION
1	174374	Feed Driving Arm (upper)	16	174431	Feed Control Dial and Reverse Feed Dial Mounting Bracket	32	172684	Feed Driving Arm Connection Shaft Spacer
2	172800	Feed Driving Arm Connection Shaft Collar Pin	17	174321	Feed Control Dial and Reverse Feed Dial Shaft	33	151527	Feed Driving Arm Connection Shaft Retaining Ring
3	172714	Feed Driving Arm Connection Shaft Collar	18	53642-814	Arm Shaft and Rotating Hook Belt Pulley Idler Stud Nut	34	181520-451	Feed Control Dial and Reverse Feed Dial Mounting Bracket complete, Nos. 53642-814, 139959-452, 141858-814, 151527, 172640-656, 172684, 172714, 172800, 172860, 172980, 174331, 174334, 174369, 174383, 174486-656, 174495, 181510-451, 181519, 181527, 181528, and two each 163562 and 174478
4	172942	Feed Driving Arm (lower) Retaining Ring	19	141856-814	Feed Control Dial and Reverse Feed Dial Mounting Bracket Screw (4)			
5	172942	Feed Cam Follower (manual) Lever Hinge Stud Retaining Ring	20	172572	Feed Regulator Shaft Positioning Bracket Spring			
6	174334	Feed Driving Arm (lower)	21	181527	Reverse Feed Dial Spacer (left)			
7	172980	Feed Cam Follower (manual) Lever	22	181528	Reverse Feed Dial Spacer (right)			
8	174493	Feed Driving Arm Connection	23	163562	Reverse Feed Dial Retaining Ring (right)	35	172807	Feed Regulator Shaft Positioning Bracket Controlling Lever Spring and Wire Retaining Bracket Hook
8 A	174376	Feed Driving Arm Connection Guide	24	139959-452	Feed Cam Follower (manual) Hinge Screw Stud	36	174380	Feed Regulator Shaft Positioning Bracket Controlling Lever Spring
8 B	141860-814	Feed Driving Arm Connection Guide Screw	25	163562	Feed Control Dial Retaining Ring (left)	37	141353-814	Feed Regulator Shaft Positioning Bracket Controlling Lever Spring and Wire Retaining Bracket Hook Screw
9	174495	Feed Driving Arm Connection Shaft	26	174331	Feed Control Dial Friction Spring			
10	174478	Reverse Feed Dial Retaining Ring (left)	27	141858-814	Feed Control Dial Friction Spring Screw	38	381671	Feed Regulator Shaft Positioning Bracket
11	172640-656	Reverse Feed Dial	28	181510-451	Feed Control Dial	39	141772-869	Feed Regulator Shaft Positioning Bracket Set Screw (2)
12	174369	Arm Shaft and Rotating Hook Belt Pulley Idler Stud	29	174486-656	Feed Control Dial Shield (plastic)			
13	174383	Arm Shaft and Rotating Hook Belt Pulley Idler Stud Roller	30	174478	Feed Control Dial Retaining Ring (right)			
14	181519	Feed Control Dial and Reverse Feed Dial Mounting Bracket 174431 with 174321, two 141849-803	31	172860	Feed Control Dial Lever			
15	141849-803	Feed Control Dial and Reverse Feed Dial Shaft Screw (2)						

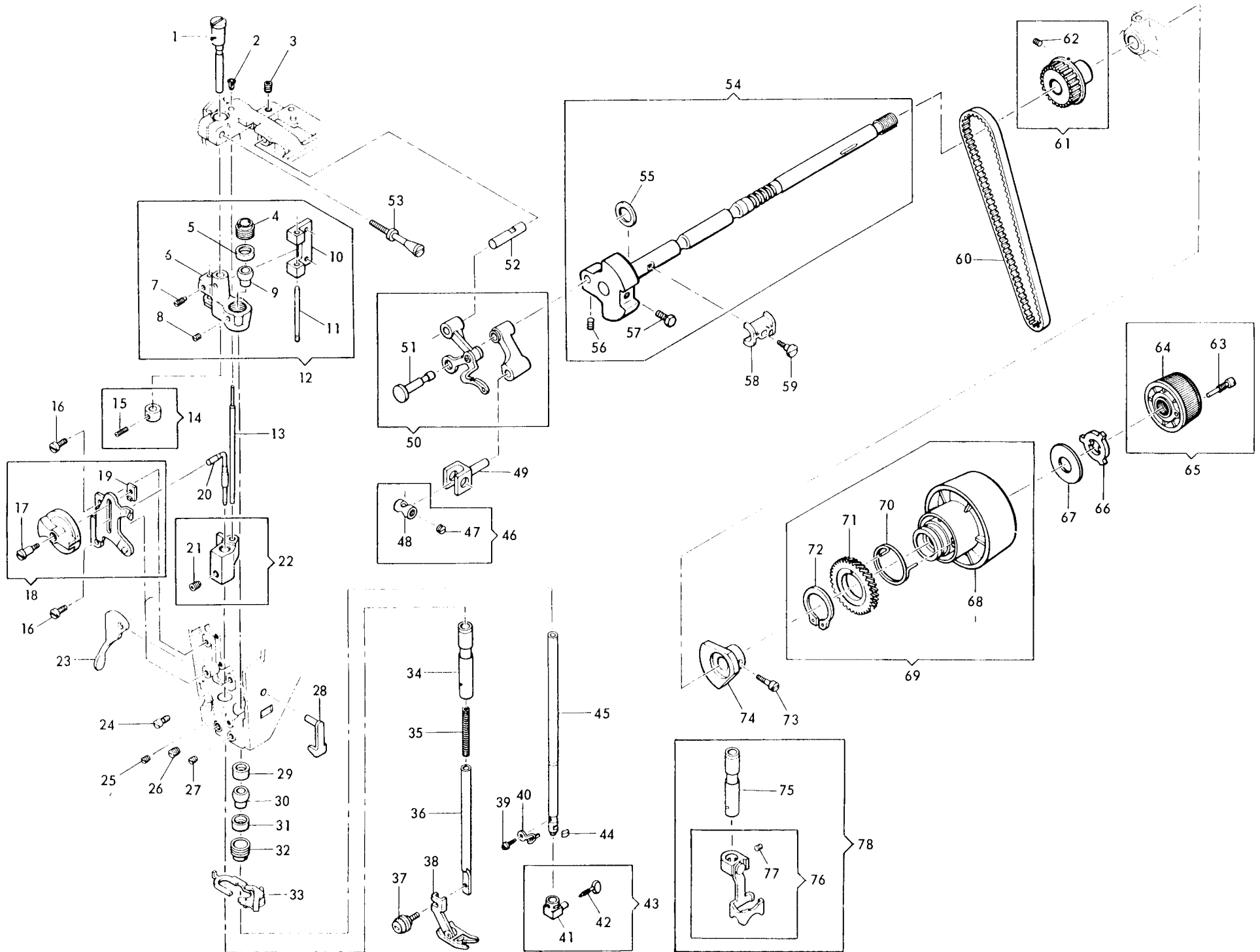
List of Parts--Machines Nos. 714E18 and 714E28



List of Parts--Machines Nos. 714E18 and 714E28

REF. NO.	PART NO.	DESCRIPTION	REF. NO.	PART NO.	DESCRIPTION	REF. NO.	PART NO.	DESCRIPTION
1	172573	Needle Bar Driving Arm	32	382325	Disc Selector Arm Bracket	62	381578	Disc Driving Worm Wheel 381577 with 172668, 181541, 181542, 181543, 141841-451 (3)
2	172949	Needle Bar Driving Arm Plate Pin (upper, eccentric)	33	141842-803	Needle Bar Driving Arm Plate Tension Arm Screw Stud	63	18154	Disc Stack (center section, plastic)
3	141898-830	Needle Bar Driving Arm Plate Pin (upper, eccentric) Set Screw	34	172056	Needle Bar Driving Arm Plate Tension Arm	64	181543	Disc Stack (upper section, plastic)
4	163565	Needle Bar Driving Arm Plate (plastic)	35	172900	Needle Bar Driving Arm Auxiliary Spring	65	172668	Disc Stack Clamping Plate
5	172574	Needle Bar Driving Arm 172573 with 141898-830, 163565, 163567, 172575 and 172949	36	172948	Needle Bar Driving Arm Auxiliary Spring Retaining Ring	66	141841-451	Disc Stack Clamping Plate Screw (3)
6	172575	Needle Bar Driving Arm Ball Pivot	37	174324	Cam Controlled Feed Lever 174323 with 141850-805, 174325, 174326 and 174370	67	172877	Cam Controlled Feed Lever Retaining Spring
7	163567	Needle Bar Driving Arm Plate Pin (lower, plastic)	38	141953-803	Cam Controlled Feed Lever Follower Mounting Screw	68	381550	Right Amplitude Selector and Worm Wheel Shaft
8	139887-803	Needle Bar Driving Arm Hinge Bracket Screw (?)	39	141850-805	Cam Controlled Feed Lever Eccentric Screw	69	172020	Disc Retaining Spring
9	172905	Needle Bar Driving Arm Tension Spring	40	174325	Cam Controlled Feed Lever Eccentric	70	172837	Disc (double) for Overedge Stretch Stitch Shaft 381549-900 with molded plastic flange
10	141739-869	Needle Bar Driving Arm Plate Kick-out Follower Stop Collar Screw	41	174323	Cam Controlled Feed Lever	71	172996	Disc Retainer
11	141899-830	Needle Bar Driving Arm Plate Kick-out Follower Lever Set Screw	42	174370	Cam Controlled Feed Lever Spacer	72	174348	Right Amplitude Selector and Worm Wheel Shaft Screw Stud
12	172667	Needle Bar Driving Arm Plate Kick-out Follower Stop Collar with 141739-869	43	174326	Cam Controlled Feed Lever Follower	73	141353-814	Right Amplitude Selector Stop Plate Screw (2)
13	174305	Needle Bar Driving Arm Plate Kick-out Follower Lever with 141899-830	44	172826	Needle Position Cam Follower Return Spring	74	172854	Right Amplitude Selector Stop Plate (right)
14	172960	Disc Selector Dial Bracket Guide Screw Stud	45	141888-814	Needle Position Cam Follower Screw	75	174299	Right Amplitude Selector Stop Plate (left)
15	174303	Disc Selector Arm Shaft	46	139927-451	Needle Position Cam Follower Adjusting Eccentric Screw	76	141903-814	Needle Position Control Dial Positioning Spring Screw (?)
16	141892-814	Disc Selector Arm Extension Screw	47	172870	Needle Position Cam Follower Adjusting Eccentric	77	172590	Needle Position Control Dial Positioning Spring
17	141945-814	Disc Selector Arm Screw	48	174358	Needle Position Cam Follower	78	172830	Right Amplitude and Needle Position Control Dials Shaft
18	172748	Disc Selector Arm Bracket with Kick-out Spring and Extension	49	174306	Needle Position Cam Follower Bracket	79	172828	Right Amplitude and Needle Position Control Dials Shaft Retaining Clip
19	172659	Disc Selector Arm	50	174304	Needle Bar Driving Arm Plate Kick-out Follower	80	172591	Needle Position Control Dial Stop Pin
20	172665	Disc Selector Arm Gear Bracket	51	163562	Needle Position Cam Follower Retaining Rings (2)	81	181515	Right Amplitude and Needle Position Control Dials Locking Screw Stud
21	172660	Disc Selector Arm 172659 with 141892-814, 141945-814, 172665 and 172748	52	174349	Cam Controlled Feed Lever and Needle Position Cam Follower Mounting Stud	82	139906-856	Needle Position Control Dial Adjusting Stud Screw
22	141739-869	Disc Selector Dial Bracket Screw	53	172816	Needle Bar Driving Arm Plate Kick-out Follower Return Spring	83	181521-451	Needle Position Control Dial 181514-451 with 139906-856 and 172827
23	174467	Disc Selector Dial Bracket with 141739-869	54	139883	Needle Bar Driving Arm Plate Kick-out Follower Return Spring Screw	84	181514-451	Needle Position Control Dial
24	382302-451	Disc Selector Dial	55	172825	Needle Bar Driving Arm Plate Kick-out Follower Retaining Ring (lower)	85	172827	Needle Position Control Dial Adjusting Stud
25	382303-451	Disc Selector Dial 382302-451 with 141895-451 and 174467	56	172855	Right Amplitude Selector and Needle Position Cam 172851 with 174428 and 174429	86	139906-856	Right Amplitude Control Dial Adjusting Stud Screw
26	141895-451	Disc Selector Dial Hinge Screw	57	172851	Right Amplitude Selector	87	181505-451	Right Amplitude Control Dial 181504-451 with 139906-856 and 172827
27	382305	Disc Selector Dial Locking Screw Stud	58	174428	Needle Position Cam (plastic)	88	181504-451	Right Amplitude Control Dial
28	141891-830	Disc Selector Arm Bracket Follower Index Pin Set Screw	59	174429	Needle Position Cam Retaining Ring	89	172827	Right Amplitude Control Dial Adjusting Stud
29	174351	Disc Selector Arm Bracket Follower Index Pin	60	381577	Disc Driving Worm Wheel (plastic)	90	141886-830	Cam Controlled Feed Lever and Needle Position Cam Follower Mounting Stud Set Screw
30	163221	Disc Selector Arm Bracket Follower Index Pin Retaining Ring (2)	61	181542	Disc Stack (lower section, plastic)			
31	382323	Disc Selector Arm Bracket Follower						

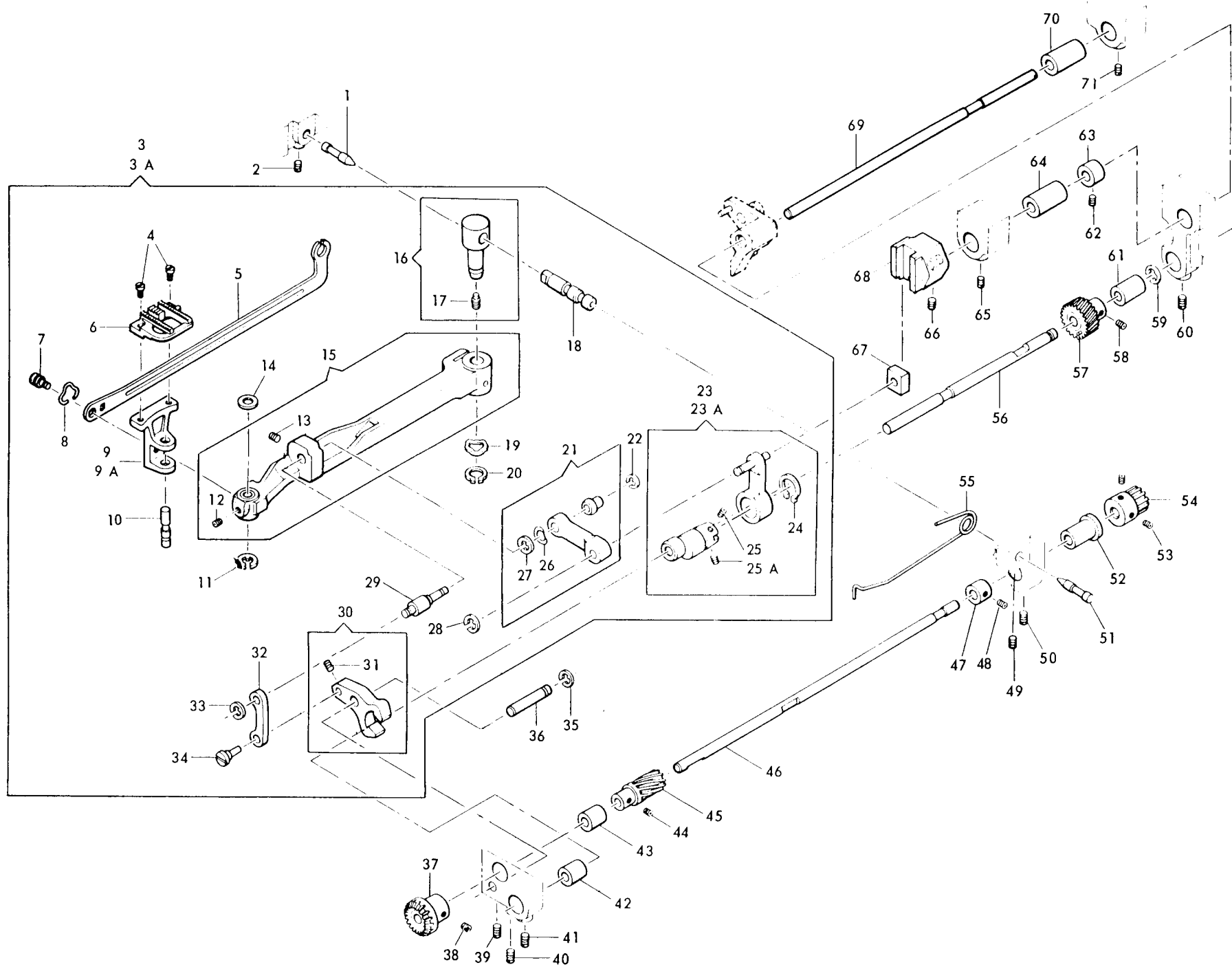
List of Parts--Machines Nos. 714E18 and 714E28



List of Paris--Machines Nos. 714E18 and 714E28

REF. NO.	PART NO.	DESCRIPTION	REF. NO.	PART NO.	DESCRIPTION	REF. NO.	PART NO.	DESCRIPTION
1	172585	Needle Bar Vibrating Bracket	23	172989	Presser Bar Lifter	53	182086	Arm Top Cover Locking
		Hinge Pin (eccentric)	24	139963-451	Presser Bar Lifter Hinge Screw			Screw Stud and Needle Bar
2	172793	Tension Releasing Pin Retaining	25	139880-830	Thread Guide (upper) Set Screw			Vibrating Bracket Hinge Pin
		Clip	26	141904-830	Presser Bar Bushing Set Screw	54	381567-001	(eccentric) Clamping Screw
3	141907-830	Thread Take-up Lever Link Hinge	27	141897-830	Needle Bar Ball Bushing (lower)			Arm Shaft (horizontal) with
		Stud Set Screw			Adjusting Screw Set Screw (in			139999-451, 140992-30 and
4	172220	Needle Bar Ball Bushing (upper)	28	172839-002	machine head)	55	163990	163990
		Adjusting Screw	29	172037	Thread Guide (upper)			Needle Bar Crank Washer
5	172036	Needle Bar Ball Bushing (upper)			Needle Bar Ball Bushing (lower)	56	140992-830	(plastic)
		Socket	30	163804	Socket (upper) (in machine head)	57	139999-451	Thread Take-up Stud Set Screw
6	163833	Needle Bar Vibrating Bracket	31	172036	Needle Bar Ball Bushing (lower)			Needle Bar Crank Position
7	998-830	Needle Bar Driving Arm Hinge			(in machine head)	58	172927	Screw
		Bracket Hinge Pin Set Screw	32	172220	Needle Bar Ball Bushing (lower)			Arm Shaft (horizontal) Re-
8	50311-830	Needle Bar Ball Bushing (upper)			Socket (lower) (in machine head)	59	141836-805	taining Collar (plastic)
		Adjusting Screw Set Screw	33	163117-002	Needle Bar Ball Bushing (lower)			Arm Shaft (horizontal) Re-
9	163804	Needle Bar Ball Bushing (upper)			Adjusting Screw (in machine head)	60	174283	taining Collar Screw
10	172577	Needle Bar Driving Arm Hinge	34	172059-002	Thread Guide (lower) with 141215-	61	174285	Belt
		Bracket	35	172879	805			Arm Shaft (horizontal) Belt
11	172676	Needle Bar Driving Arm Hinge	36	172068	Presser Bar Bushing	62	141834-869	Pulley with 141834-869
		Bracket Hinge Pin	37	354135-452	Presser Bar Spring			Arm Shaft (horizontal) Belt
12	172584	Needle Bar Vibrating Bracket	38	172904	Presser Bar (hollow)	63	354154-451	Pulley Set Screw
		163833 with 998-830, 50311-830,	39	141453-880	Presser Foot Thumb Screw			Clamp Stop Motion Clamp Stop
		163804, 172036, 172220, 172577,			Presser Foot for zig-zag stitching	64	381705-451	Screw
		172676 and two 139887-803			Needle Clamp Body, Needle Clamp			Clamp Stop Motion Clamp Nut
13	174409	Tension Releasing Pin	40	163431	Thread Guide and Needle Stop	65	381710-451	(plastic)
			41	163122	Screw			Clamp Stop Motion Clamp Nut
14	172586	Needle Bar Vibrating Bracket	42	140751-853	Needle Clamp Thread Guide	66	163905	381705-451 with 354154-451
		Hinge Pin Collar with 141902-869	43	163123	Needle Clamp Body	67	381615	Clamp Stop Motion Clamp Washer
15	141902-869	Needle Bar Vibrating Bracket	44	163822	Needle Thumb Screw	68	174190-656	Hand Wheel Spacer
		Hinge Pin Collar Set Screw	45	172033	Needle Clamp 163122 with 140751-	69	163907-656	Hand Wheel (plastic)
16	141854-809	Presser Bar Pressure Regulating	46	172044	853			Hand Wheel 174190-656 with
		Knob Bracket Screw (2)	47	1266-830	Needle Bar Gib			170021, 172299-003, 172312 and
17	141944-809	Presser Bar Pressure Regulating	48	172043	Needle Bar (hollow)			507267
		Knob Adjusting Screw	49	172323	Needle Bar Connecting Stud	70	172299-003	Hand Wheel Gear Spring
18	172683-656	Presser Bar Pressure Regulating	50	172946	Hinge Pin 172043 with 1266-830	71	172312	Hand Wheel Gear
		Knob with 53650-809 and 141944-			Needle Bar Clamping Screw	72	170021	Hand Wheel Snap Ring
19	53650-451	Presser Bar Pressure Regulating	51	172941	Needle Bar Connecting Stud	73	140559-803	Arm Shaft (horizontal) Counter-
		Knob Adjusting Screw Nut			Hinge Pin			balance Screw
20	172878	Presser Bar Pressure Regulating	52	172608	Needle Bar Connecting Stud	74	174136	Arm Shaft (horizontal) Counter-
		Extension Pin			Thread Take-up Lever with			balance
21	141800-869	Presser Bar Guide Bracket Set			172941	75	172069-002	Presser Bar Bushing
		Screw			Thread Take-up Stud	76	381205	Finger Guard Complete
22	172594	Presser Bar Guide Bracket with			Thread Take-up Lever Link	77	354204-451	Finger Guard Holder Set Screw
		141800-869			Hinge Stud	78	381208	Set of Finger Guard Parts for
								School Machines

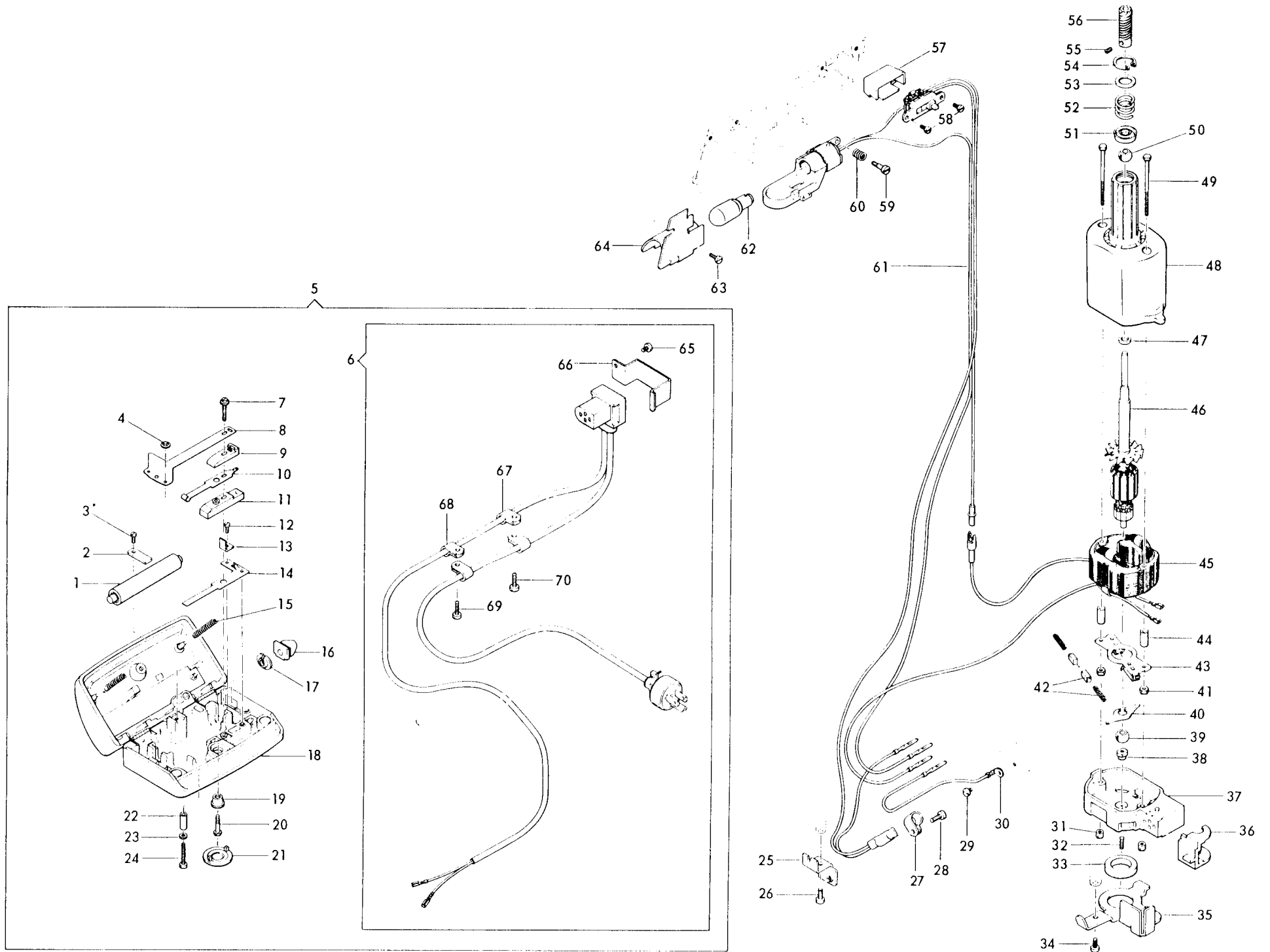
List of Parts--Machines Nos. 714E18 and 714E28



List of Parts--Machines Nos. 714E18 and 714E28

REF. NO.	PART NO.	DESCRIPTION	REF. NO.	PART NO.	DESCRIPTION	REF. NO.	PART NO.	DESCRIPTION
1	172801	Feed Bar Pivot Hinge Stud Adjusting Pin (eccentric) Center (back)	20	172876	Feed Bar Pivot Hinge Stud Retaining Ring	43	174232	Rotating Hook Drive Shaft Bushing (left)
2	141814-830	Feed Bar Pivot Hinge Stud Adjusting Pin (eccentric) Center (back) Set Screw	21	381806	Feed Bar Connection with 151576 and 172947	44	141772-869	Feed Drive Shaft Driving Gear (helical, plastic) Set Screw
3	181518	(401 Type Hook System) Feed Bar with 139878-869, 141801-830, 141812-830, 141827-803, 151576 172876, 172947, 174215, 174216, 174217, 174220, 174247, 174249, 174251, 174277, 181512, 511016, 511075, 511211 and two each 141896-830, 151527, 163562 and three 141802-869	22	151527	Feed Bar Connection and Feed Lifting Fork Connection Hinge Stud (eccentric) Retaining Ring	45	174488	Feed Drive Shaft Driving Gear (helical, plastic) with 141772-869
3 A	181518-001	(Apollo Hook System) Feed Bar with 139878-869, 141801-830, 141802-869, 141812-830, 141827-803, 151576, 172876, 172947, 174215-001, 174216, 174217, 174220, 174247, 174249, 174251, 174277, 181512, 511016, 511075, 511211 and two each 140321-803, 141896-830, 151527, 163562	23	172880	Feed Regulator Slide Block Drive Connection with 174277 and 141802-869 (401 Type Hook System) (2)	46	174231	Rotating Hook Drive Shaft
4	141896-830	Feed Dog Screw (2)	23 A	172880-001	Feed Regulator Slide Block Drive Connection with 174277 and 140321-830 (Apollo Hook System) (2)	47	174235	Rotating Hook Drive Shaft Collar with 141802-869
5	174216	Feed Dog Holder Compensating Link	24	174277	Feed Regulator Slide Block Drive Connection Retaining Ring	48	141802-869	Rotating Hook Drive Shaft Collar Set Screw
6	181512	Feed Dog	25	141802-869	Feed Lifting Cam and Feed (eccentric) Set Screw (401 Type Hook System)	49	141814-830	Feed Bar Pivot Hinge Stud Adjusting Pin (eccentric) Center (front) Set Screw
7	511075	Feed Dog Holder Compensating Link Retaining Spring	25 A	140321-830	Feed Lifting Cam and Feed (eccentric) Set Screw (Apollo Hook System)	50	141891-830	Rotating Hook Drive Shaft Bushing (right) Set Screw
8	141827-803	Feed Dog Holder Compensating Link Screw Stud	26	172947	Feed Bar Connection and Feed Lifting Fork Connection Hinge Stud (eccentric) Spring Washer	51	172801	Feed Bar Pivot Hinge Stud Adjusting Pin (eccentric) Center (front)
9	174215	Feed Dog Holder (401 Type Hook System)	27	151576	Feed Bar Connection Retaining Ring	52	174233	Rotating Hook Drive Shaft Bushing (right)
9 A	174215-001	Feed Dog Holder (Apollo Hook System)	28	151527	Feed Bar Connection Retaining Ring	53	141338-869	Rotating Hook Drive Shaft Belt Pulley Set Screw (2)
10	174217	Feed Dog Holder Stud	29	174247	Feed Bar Connection and Feed Lifting Fork Connection Hinge Stud (eccentric)	54	174282-001	Rotating Hook Drive Shaft Belt Pulley with two 141338-869
11	163562	Feed Lifting Fork Hinge Stud Retaining Ring	30	174276	Feed Lifting Fork with 141802-869	55	511352	Feed Bar Spring
12	139878-869	Feed Dog Holder Stud Screw	31	141802-869	Feed Lifting Fork Connection Hinge Stud (eccentric) Set screw	56	174218	Feed Drive Shaft
13	141812-830	Feed Bar Connection and Feed Lifting Fork Connection Hinge Stud (eccentric) Set Screw	32	511016	Feed Lifting Fork Connection Retaining Ring	57	174491	Feed Drive Shaft Gear (helical, plastic) with 141772-869
14	174251	Feed Dog Holder Washer	33	163562	Feed Lifting Fork Connection Retaining Ring	58	141772-869	Feed Drive Shaft Gear (helical, plastic) Set Screw
15	174243	Feed Bar with 139878-869 and 141812-830	34	174220	Feed Lifting Fork Connection Hinge Stud (eccentric)	59	163562	Reverse Feed Dial Retaining Ring (right)
16	174214	Feed Bar Pivot Hinge Stud with 141801-830	35	163562	Feed Lifting Fork Hinge Stud Retaining Ring	60	141815-830	Feed Drive Shaft Bushing (right) Set Screw
17	141801-830	Feed Bar Pivot Hinge Stud Lock Screw	36	174221	Feed Lifting Fork Hinge Stud	61	174241	Feed Drive Shaft Bushing (right)
18	174249	Feed Bar Pivot Hinge Stud Adjusting Pin (eccentric)	37	163331	Rotating Hook Drive Shaft Bevel Gear (plastic) with 141338-869	62	141772-869	Feed Regulator Shaft Collar Set Screw
19	511211	Feed Bar Pivot Hinge Stud Spring Washer	38	141338-869	Rotating Hook Drive Shaft Bevel Gear (plastic) Set Screw	63	174225	Feed Regulator Shaft Collar with 141772-869
			39	141814-830	Feed Lifting Fork Hinge Stud Set Screw	64	174223	Feed Regulator Shaft Bushing (left)
			40	139878-869	Rotating Hook Drive Shaft Bushing (left) Set Screw	65	141814-830	Feed Regulator Shaft Bushing (left) Set Screw
			41	141814-830	Feed Drive Shaft Bushing (left) Set Screw	66	141818-869	Feed Regulator Set Screw
			42	174219	Feed Drive Shaft Bushing (left)	67	511030	Feed Regulator Slide Block
						68	181956	Feed Regulator with 141818-869
						69	174222	Feed Regulator Shaft
						70	174223	Feed Regulator Shaft Bushing (right)
						71	141814-830	Feed Regulator Shaft Bushing (right) Set Screw

Electrical Parts - Machines Nos. 714E18 and 714E28



Electrical Parts - Machines Nos. 714E18 and 714E28

REF. NO.	PART NO.	DESCRIPTION	REF. NO.	PART NO.	DESCRIPTION	REF. NO.	PART NO.	DESCRIPTION
1	618804-003	Resistance Unit complete	25	604120-001	Mercury Switch Mounting Bracket	50	92993-001	Armature Shaft Bearing (pinion end)
2	618612-001	Resistance Unit Clamp	26	619408-001	Mercury Switch Mounting Bracket Screw	51	619110-001	Armature Shaft Bearing Retainer (pinion end)
3	618634-002	Resistance Unit Clamp Screw	27	977611-007	Mercury Switch Clamp	52	619111-001	Armature Shaft Bearing Retainer Spring (pinion end)
4	618718-001	Actuating Spring Push-on Fastener	28	619408-001	Mercury Switch Clamp Screw	53	619160-001	Armature Shaft Bearing (internal) Retainer Ring
5	603864-003	Controller Complete, Single Pole, (grounded)	29	618695-003	Ground Screw	54	619112-001	Armature Shaft Bearing Retainer Ring (pinion end)
6	604132-001	Cord Harness complete for 603864-003	30	604130-001	Ground Lead complete	55	141772	Armature Shaft Pinion Set Screw
7	618824-001	Fastening Screw and Washer	31	51796-002	Housing (commutator end) Fastening Nut (2)	56	197782-001	Armature Shaft Pinion
8	618609-001	Actuating Spring	32	618630-001	Thrust Screw	57	619338-001	Light and Power Switch Enclosure
9	618608-001	Contact Spacer (top)	33	507165	Rubber Ring	58	141356-814	Light Harness Switch Screw (2)
10	618823-001	Contact Spring	34	619407-002	Motors Hold Down Plate Screw	59	619407-003	Light Bracket Spring Screw
11	618822-001	Contact Spacer (bottom)	35	619329-001	Motors Hold Down Plate	60	619387-001	Light Bracket Spring
12	618634-002	Shorting Strap Screw	36	603801-001	Motor Receptacle Cover	61	604133-002	Light with Switch and Harness (less Lamp)
13	618815-001	Shorting Strap	37	619320-006	Housing (commutator end)	62	777910-001	Light Lamp
14	618821-001	Shorting Spring	38	618631-001	Thrust Screw Nut	63	141356-814	Light Shield Screw
15	618542-001	Pedal Return Spring (2)	39	195540-002	Housing Bearing (commutator end)	64	619442-001	Light Shield
16	618905-002	Strain Relief Sleeve for 603864-003	40	195541-001	Housing Bearing Retainer (commutator end)	65	618695-003	Plug Retaining Bracket Screw
17	618969-001	Strain Relief Clip for 603864-003	41	706404-019	Brush Holder Nut (2)	66	604119-001	Plug Retaining Bracket
18	619493-006	Pedal and Base Assembly for 603864-003	42	772915-004	Brush with Spring (2)	67	977611-008	Cable Clamp (2)
19	619179-001	Pedal Retaining Cup	43	619324-001	Brush Holder with tubes	68	977611-001	Cable Clamp (2)
20	603758-001	Pedal and Base Retaining Screw	44	197790-008	Brush Holder Spacing Bushing (2)	69	618695-006	Cable Clamp Screw
21	619492-001	Pedal Base Snap-on Plug	45	619327-002	Field Core (wound) complete	70	354106-451	Cable Clamp Screw
22	197790-010	Security Screw Spacer	46	619382-001	Armature complete			
23	701511-018	Security Screw Washer	47	618721-002	Spacer			
24	618634-003	Security Screw for 603864-001	48	619321-002	Housing (pinion end)			
			49	140894-001	Housing (pinion end) Fastening Screw (2)			