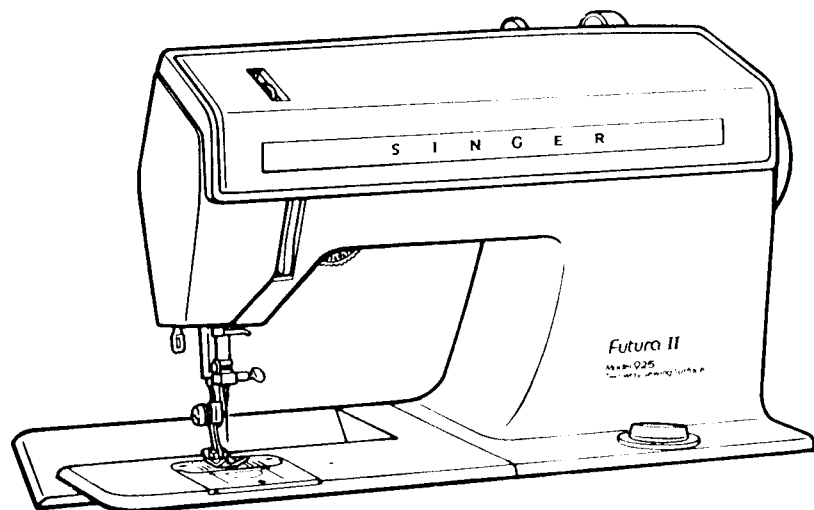


SINGER
925-3

List of Part - 925-3 Machine



ATTACHMENT SET 381335

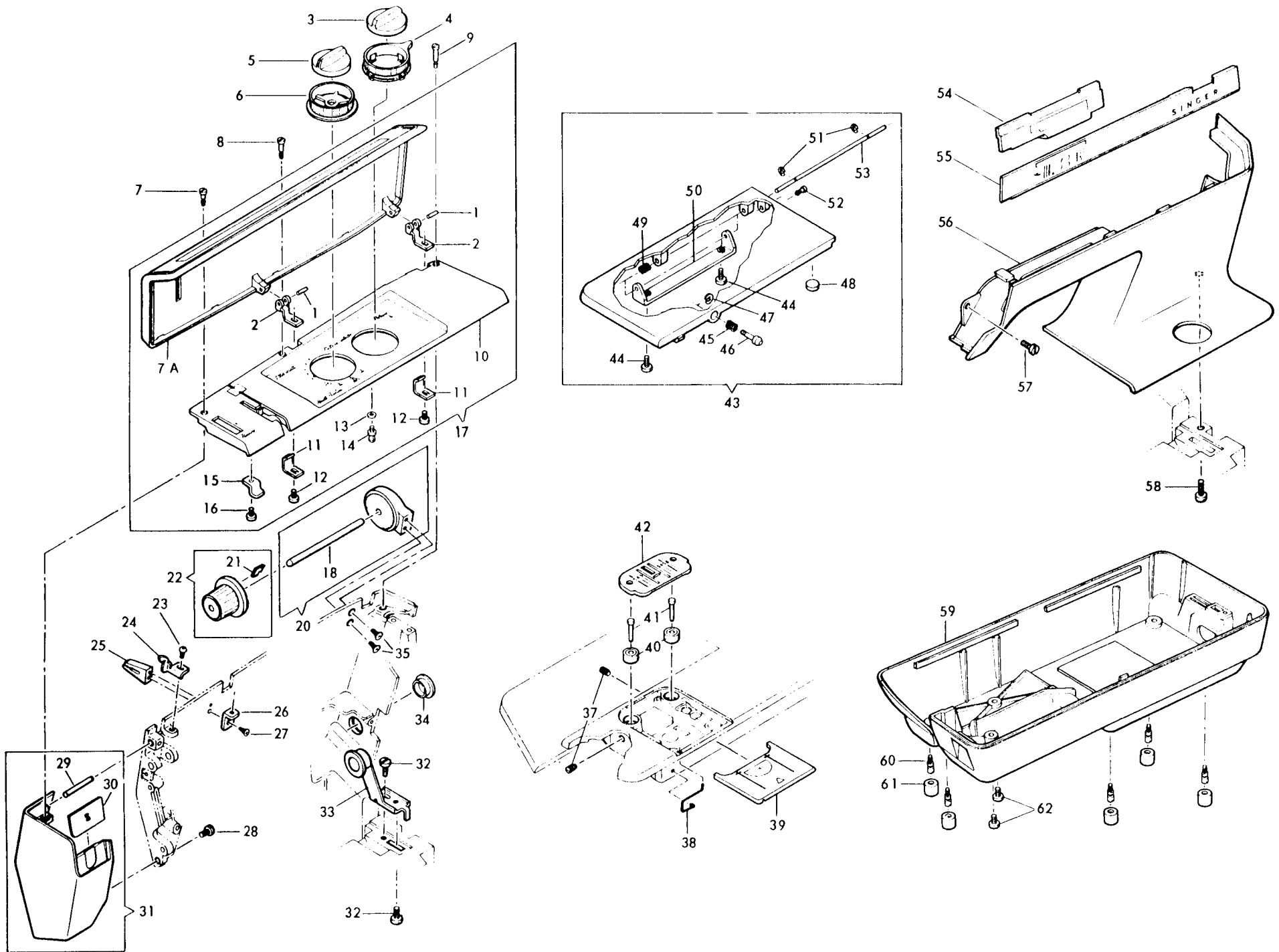
2020	Needle Size No. 11
2020	Needle Size No. 14
2020	Needle Size No. 16
2028	Needle (Twin) Size No. 14
2045	Needle Size No. 14 for Sewing Synthetic Knits
161172	Seam and Blindstitch Hem Guide Complete
161919	Presser Foot Plate (Snap-on for Straight Sewing) (alternate to 502277)
171110	Blindstitch Hem Guide
171138	Feed Cover Plate for Darning and Embroidery
171434-451	Attachment Box Complete (Deluxe)
171438-451	Chain Stitch Attachment Loop Retainer Insert Complete
171460	Presser Foot Plate (Snap-on Slotted) for Slant Overedge
171463	Special Purpose Presser Foot Plate (Snap-on)
171480	Presser Foot Plate (Snap-on) Complete for Cording and Slide Fasteners
181551	Bobbins (3)
381039	Attachment Box Insert (foam plastic)
381066	Presser Foot for Button Sewing
381114-451	Spool Pin for Twin Needle Sewing (Plastic)
381242	Needle Package (Plastic)
381244	Chain Stitch Attachment Throat Plate
381245	Throat Plate for Straight Sewing
501750	Lint Brush
502277	Presser Foot Plate (Snap-on for Straight Sewing)
506377	Presser Foot Plate (Snap-on Plastic) for Sewing Buttonholes (two-step)
511267	Buttonhole Marking and Measuring Gauge
642616-001	Seam Ripper



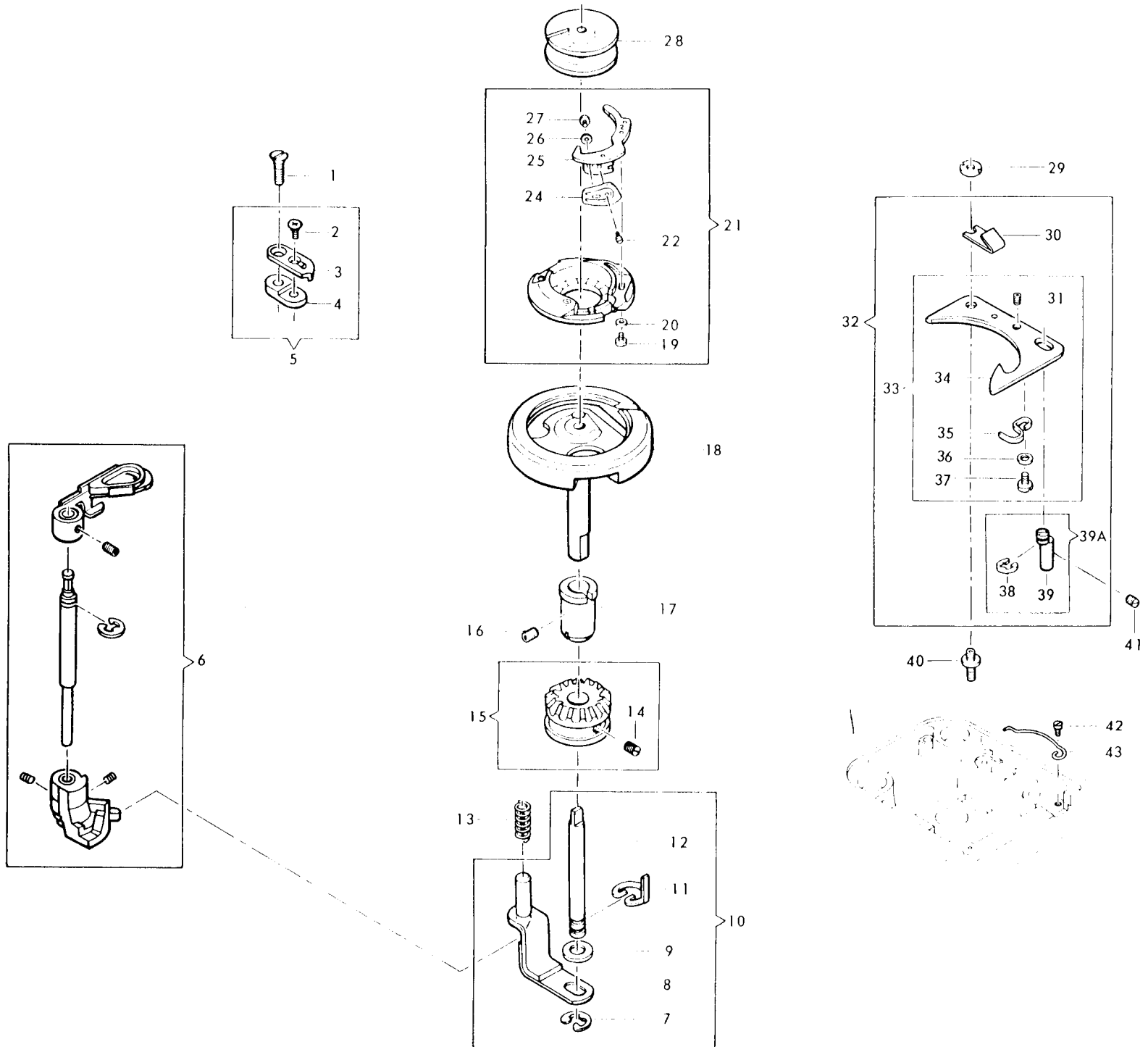
List of Parts - 925-3 Machine (COVERS)

REF. NO.	PART NO.	DESCRIPTION	REF. NO.	PART NO.	DESCRIPTION	REF. NO.	PART NO.	DESCRIPTION
1	382839	Arm Top Cover and Control Hinge Pin (2)	20	382485-451	Arm Spool Pin Complete	42	382795	Throat Plate for Zig-Zag Sewing
2	182241	Arm Top Cover and Control Panel Hinge (2)	21	163150	Arm Spool Pin Thread Lead-off Spring Clip	43	382739-451	Bed (convertible) Lid Complete
3	381607-452	Disc Pattern Selector Dial	22	163149-004	Arm Spool Pin Thread Lead-off Complete	44	141860-814	Bed (convertible) Lid Hinge Bracket Screw (2)
4	182160-451	Disc Pattern Selector Kick-out Dial	23	354030-451	Thread Guide (inside, back of Arm) Screw	45	381877	Bed (convertible) Lid Latch Spring
5	381605-453	Bight Amplitude Control Dial	24	181642	Thread Guide (inside, back of Arm)	46	381874-451	Bed (convertible) Lid Latch (plastic)
6	182113-451	Needle Position Control Dial	25	182238-451	Thread Guide (outside, back of Arm)(Plastic)	47	182195	Bed (convertible) Lid Latch Retaining Ring
7	354284-452	Arm Top Cover and Face Plate Screw	26	381865	Arm Top Cover and Control Panel Support Bracket (rear)	48	619491-001	Bed (convertible) Lid Pad
7A	181630-900	Arm Top Cover Lid (plastic)	27	354100-451	Thread Guide (outside, back of Arm) Screw	49	381876	Bed (convertible) Lid Hinge Spring
8	354563-451	Arm Top Cover Screw (center)	28	354563-451	Face Plate Fastening Screw	50	382740	Bed (convertible) Lid Hinge Bracket
9	354156-455	Arm Top Cover Screw (right)	29	181738	Face Plate Positioning Pin	51	507563	Bed (convertible) Lid Hinge Pin Retaining Ring (2)
10	383170-901	Arm Top Cover and Control Panel	30	182085-451	Face Plate Medallion Plate	52	381878	Bed (convertible) Lid Positioning Button (plastic)
11	181640	Arm Top Cover Lid Spring (2)	31	181734-451	Face Plate	53	382741	Bed (convertible) Lid Hinge Pin
12	354198-451	Arm Top Cover and Control Panel Hinge Screw (2)	32	141860-814	Belt Idler Pulley Bracket (adjustable) Screw (2)	54	181745-900	Stitch Pattern Index Panel Backing Plate
13	381906	Arm Top Cover and Control Panel Split Pin Lock Washer	33	181613	Belt Idler Pulley	55	383168-451	Stitch Pattern Index Panel
14	381864	Arm Top Cover and Control Panel Split Pin	34	381893-451	Arm Access Hole Plug	56	382426-008	Arm Front Cover
15	381839	Arm Top Cover and Control Panel Support Bracket (front)	35	354491-451	Arm Spool Pin Holder Screw (2)	57	141854-809	Arm Front Cover Screw (left)
16	354198-451	Arm Top cover and Control Panel Support Bracket (front) Screw	37	141825-830	Throat Plate Catch Pin Screw (2)	58	354020-451	Arm Front Cover Screw (right)
17	383172-451	Arm Top Cover Module	38	383121	Bed Slide Stop	59	383119-001	Bed (convertible) Cover (Bottom)
18	181609	Arm Spool Pin	39	382801	Bed Slide with Molded Plastic Window	60	354222-451	(5) Cushion Screw
			40	507196	Throat Plate Securing Magnet (2)	61	381899	(5) Cushion
			41	174256	Throat Plate Catch Pin (2)	62	354170-451	(2) Fastening Screw

List of Parts - 925 Machine (COVERS)



List of Parts - 925-3 Machine (HOOK AREA)



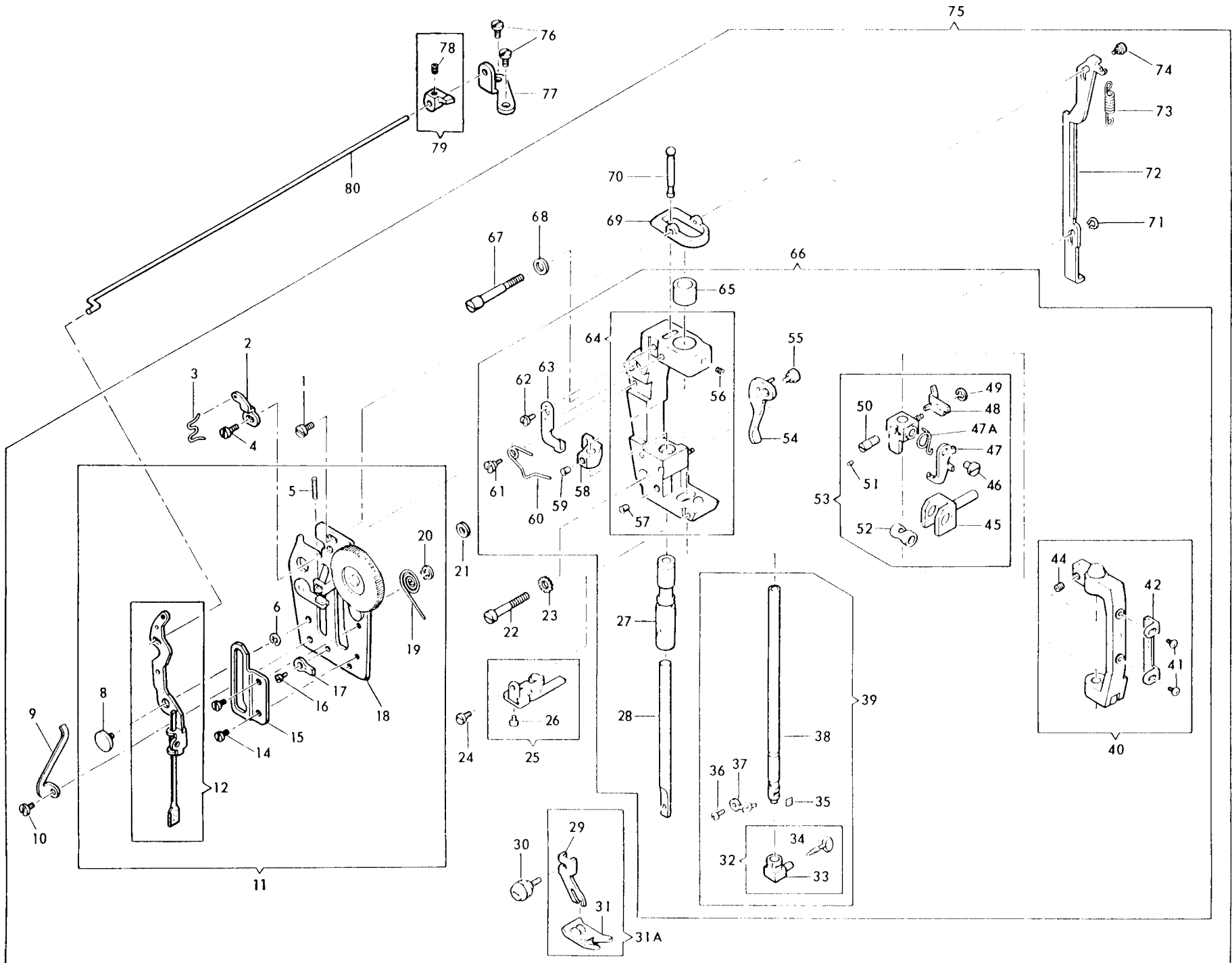
List of Parts - 925- Machine (HOOK AREA)

REF. NO.	PART NO.	DESCRIPTION	REF. NO.	PART NO.	DESCRIPTION	REF. NO.	PART NO.	DESCRIPTION
1	354148-451	Rotating Hook Bobbin Case Position Finger Screw	16	139878-869	Rotating Hook Flanged Bushing Set Screw	32	SEE NOTE	Rotating Hook Bobbin Case Position Plate Complete with Bed Slide Tension Spring and Eccentric Stud with E-Ring
2	354149-451	Rotating Hook Bobbin Case Position Finger Adjusting Screw	17	181581	Rotating Hook Flanged Bushing	33	381849	Rotating Hook Bobbin Case Position Plate Complete
3	181554	Rotating Hook Bobbin Case Position Finger	18	181549	Rotating Hook	34	181555	Rotating Hook Bobbin Case Position Plate
4	381665	Rotating Hook Bobbin Case Position Finger Mounting Plate	19	139995-452	Rotating Hook Bobbin Case Tension Spring Bracket Screw	35	381884	Rotating Hook Bobbin Case Cushion Spring
5	381847	Rotating Hook Bobbin Case Position Finger Complete	20	381694	Rotating Hook Bobbin Case Tension Spring Bracket Screw Washer	36	381885-451	Rotating Hook Bobbin Case Cushion Spring Washer
6	382341	Rotating Hook Bobbin Winder Actuating Lever Complete	21	382986	Rotating Hook Bobbin Case Complete	37	354215-451	Rotating Hook Bobbin Case Cushion Spring Screw
7	153884	Rotating Hook Bobbin Driving Shaft Retaining Ring	22	354164-451	Rotating Hook Bobbin Case Tension Spring Clamping Screw	38	151576	Rotating Hook Bobbin Case Position Plate Adjusting Stud (eccentric) Retaining Ring
8	181576	Rotating Hook Bobbin Winder Lifting Bracket	24	382449	Rotating Hook Bobbin Case Tension Spring	39	181556-001	Rotating Hook Bobbin Case Position Plate Adjusting Stud (eccentric)
9	181565	Rotating Hook Bobbin Driving Shaft Spacer (plastic)	25	181559-001	Rotating Hook Bobbin Case Tension Spring Bracket	39A	382470	Rotating Hook Bobbin Case Position Plate Adjusting Stud (eccentric) with 151576
10	181563-900	Rotating Hook Bobbin Driving Shaft Complete	26	381996	Rotating Hook Bobbin Case Tension Spring Regulating Screw Friction Washer	40	354150-452	Rotating Hook Bobbin Case Position Plate Screw
11	181564	Rotating Hook Bobbin Driving Shaft Clutch Spring	27	354299-451	Rotating Hook Bobbin Case Tension Regulating Screw	41	141338-869	Rotating Hook Bobbin Case Position Plate Adjusting Stud (eccentric) Set Screw
12	181562	Rotating Hook Bobbin Driving Shaft	28	181551	Rotating Hook Bobbin	42	354392-451	Bed Slide Tension Spring Screw
13	163791	Rotating Hook Bobbin Winder Actuating Lever Shaft Cam Follower Spring	29	54594-451	Rotating Hook Bobbin Case Position Plate Screw Nut	43	381988	Bed Slide Tension Spring
14	141338-869	Rotating Hook Bevel Gear Set Screw	30	381708	Bed Slide Tension Spring (Can be used in place of Ref. No. 43, 381988)		NOTE:	Kit No. 382445 Improved Bobbin Case Control Includes Nos. 21, 30, 33, 39A, and 40 See Service Bulletin SM 38
15	163329	Rotating Hook Bevel Gear with 141338-869	31	354190-451	Rotating Hook Bobbin Case Position Plate Adjusting Screw			

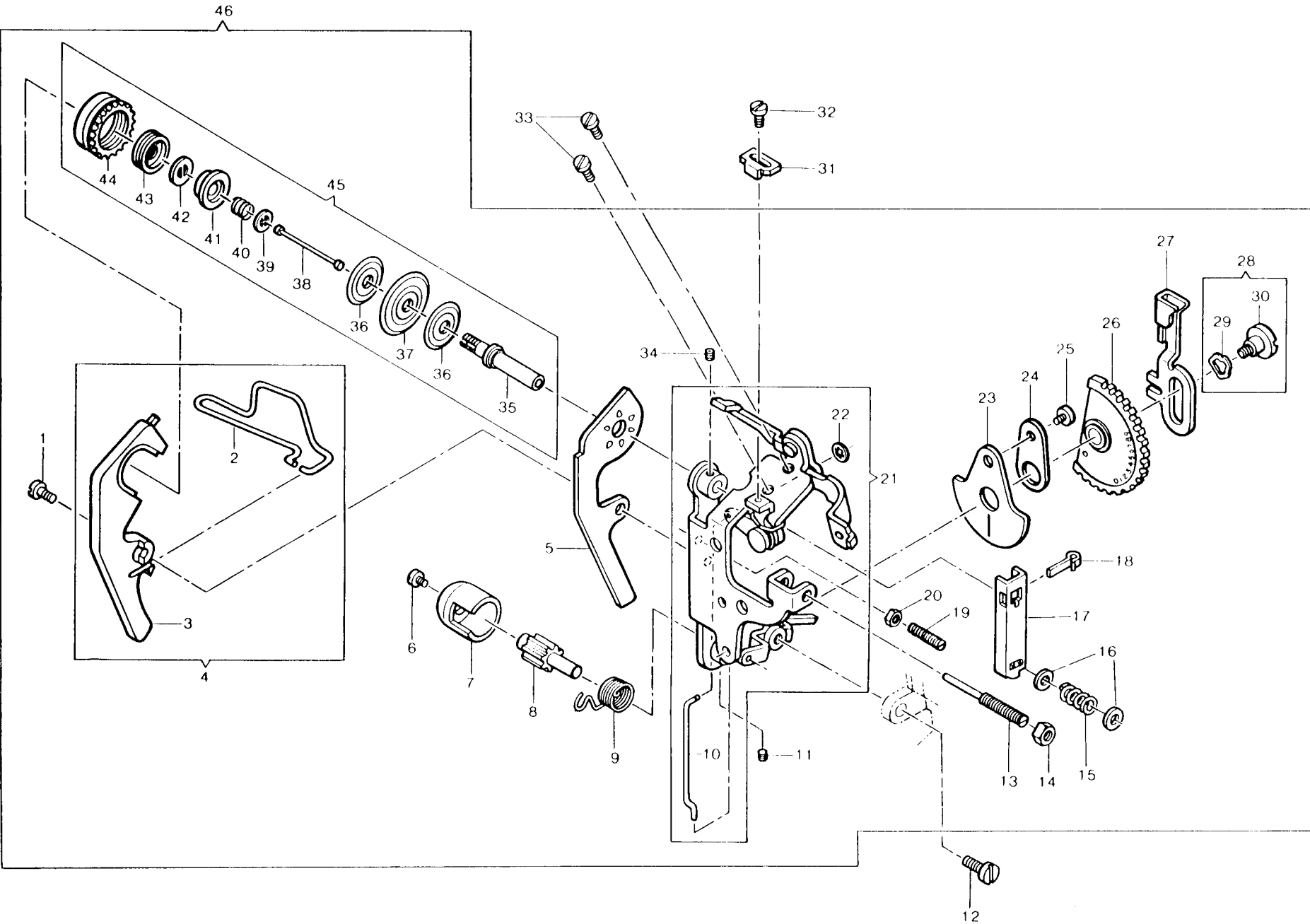
List of Parts - 925-3 Machine (HEAD END)

REF. NO.	PART NO.	DESCRIPTION	REF. NO.	PART NO.	DESCRIPTION	REF. NO.	PART NO.	DESCRIPTION
1	141824-814	Needle Bar High Lift Releasing Bracket	26	354500-451	Thread Snubber Adjusting Screw	55	354010-451	Presser Bar Lifter Hinge Screw
		Adjusting Bracket Screw	27	181947	Presser Bar Bushing	56	141861-830	Needle Bar Vibrating Bracket Ball Bushing (upper) Set Screw
2	382409	Buttonholer Kick-out Shaft Spring Bracket	28	172068	Presser Bar (hollow)			
3	382408	Buttonholer Kick-out Shaft Spring ("M")	29	163706	Presser Foot Shank (snap-on)	57	354186-451	Presser Bar Bushing Set Screw
4	354195-451	Presser Bar Pressure Regulating Dial Mounting Plate Screw (upper)	30	181919	Presser Foot Thumb Screw and Bobbin Winder Thread Holder	58	383115	Presser Bar Guide Bracket
5	354046-451	Presser Bar Pressure Regulating Lever Set Screw	31	502280	Presser Foot Plate (snap-on) for Zig-Zag Sewing	59	354687-451	Presser Bar Guide Bracket Set Screw
6	14494	Buttonholer Kick-out Shaft Tripping Rod Lever Hinge Stud Retaining Ring	31A	383192	Presser Foot (snap-on) Complete for Zig-Zag Sewing	60	182237	Needle Bar Recoil Spring
8	381738	Buttonholer Kick-out Shaft Tripping Rod Lever Hinge Stud	32	163123	Needle Clamp Body with 163122 and 140751-853	61	354119-451	Needle Bar Recoil Spring Screw
9	381625	Buttonholer Kick-out Shaft Tripping Rod Lever Positioning Spring	33	163122	Needle Clamp Body	62	354121-451	Needle Bar Recoil Spring Bracket (adjustable) Screw
10	354195-451	Needle Bar Pressure Regulating Dial Mounting Plate Screw (lower)	34	140751-853	Needle Thumb Screw	63	381587	Needle Bar Recoil Spring Bracket (adjustable)
11	382846	Presser Bar Pressure Regulating Dial Mounting Plate Assembly	35	163822	Needle Bar Gib	64	181668	Needle Bar Vibrating Bracket Frame
12	382830	Buttonholer Kick-out Shaft Tripping Rod (retractable) Lever	36	354009-451	Needle Clamp Body, Needle Clamp Thread Guide and Needle Stop Screw	65	382374	Needle Bar Vibrating Bracket Bushing (upper)
14	141862-814	Needle Bar Clamping and Guide Screw Alignment Plate Screw (2)	37	163431	Needle Clamp Thread Guide	66	382813	Needle Bar Vibrating Bracket Frame Complete
15	382847	Needle Bar Clamping and Guide Screw Alignment Plate	38	181651	Needle Bar	67	354025-451	Needle Bar Vibrating Bracket Frame Positioning and Hinge Screw (upper)
16	354215-451	Buttonholer Kick-out Shaft Tripping Rod Lever Adjusting Eccentric Screw	39	381687	Needle Bar Complete	68	181860-451	Needle Bar Vibrating Bracket Frame Positioning and Hinge Screw Washer (upper)
17	382393	Buttonholer Kick-out Shaft Tripping Rod Lever Adjusting Eccentric	40	382812	Needle Bar Vibrating Bracket	69	381595	Needle Bar High Lift Releasing Bracket Adjusting Bracket
18	382849	Presser Bar Pressure Regulating Dial Mounting Plate	41	354166-451	Needle Bar Latch Kick-out Plate (adjustable) Screw (2)	70	382798	Needle Bar Vibrating Bracket Ball Stud
19	181687	Presser Bar Spring	42	382796	Needle Bar Latch Kick-out Plate (adjustable)	71	14494	Needle Bar High Lift Releasing Bracket Stud Retaining Ring
20	182150	Presser Bar Spring Retaining Ring	44	354063-451	Needle Bar Vibrating Bracket Ball Stud Set Screw	72	381594	Needle Bar High Lift Releasing Bracket
21	381593	Presser Bar Spring Lever Guide Wheel	45	181654	Needle Bar Connecting Stud	73	381586	Needle Bar Lifting Spring
22	354026-451	Needle Bar Vibrating Bracket Frame Screw (lower)	46	381816	Needle Bar Latch Adjusting Stud (eccentric)	74	354123-451	Needle Bar High Lift Releasing Bracket Screw
23	931055-076	Needle Bar Vibrating Bracket Frame Screw (lower) Washer	47	181655	Needle Bar Latch			
24	354160-451	Thread Snubber Mounting Screw	47A	381599-900	Needle Bar Latch Spring	75	382811-451	Head End Module
25	382769	Thread Snubber	48	381585	Needle Bar Latch Releasing Lever	76	141945-814	Buttonholer Kick-out Shaft Support Bracket Screw (2)
			49	151576	Needle Bar Latch Releasing Lever Retaining Ring	77	182173	Buttonholer Kick-out Shaft Support Bracket
			50	354555-451	Needle Bar Clamping and Guide Screw	78	354088-451	Buttonholer Disc Driving Ratchet Engaging Pawl Stop Screw
			51	354443-451	Needle Bar Latch Adjusting Stud (eccentric) Screw Set Screw	79	381940	Buttonholer Disc Driving Ratchet Engaging Pawl Stop with 135088-451
			52	172043	Needle Bar Connecting Stud Hinge Pin	80	182167	Buttonholer Kick-out Shaft
			53	382864	Needle Bar Latch Carrier Complete			
			54	381947	Presser Bar Lifter			

List of Parts - 925 Machine (HEAD END)



List of Parts - 925-3 Machine (TENSION MODULE)



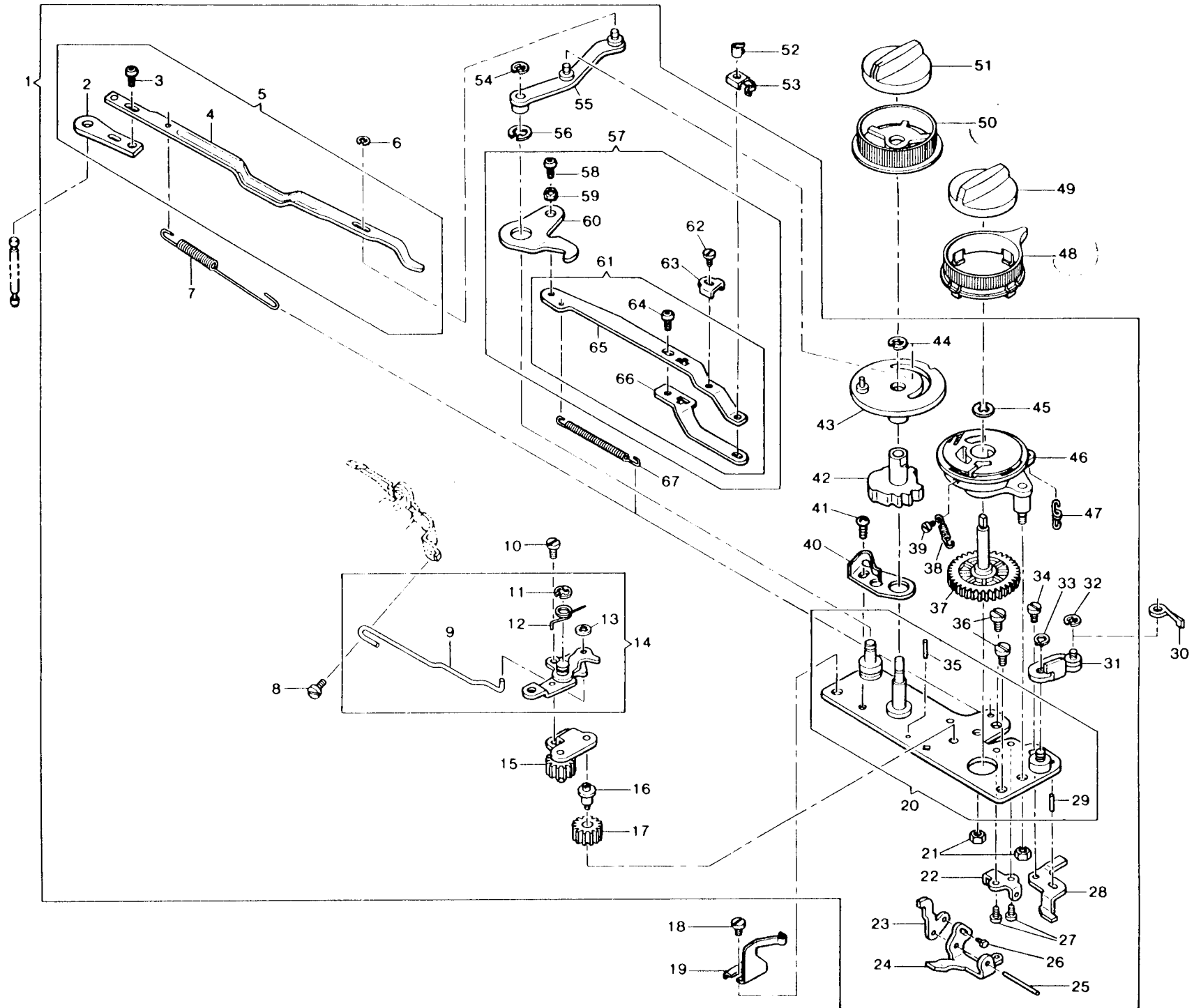
List of Parts - 925-3 Machine (TENSION MODULE)

REF. NO.	PART NO.	DESCRIPTION	REF. NO.	PART NO.	DESCRIPTION	REF. NO.	PART NO.	DESCRIPTION
1	354236-451	Thread Take-up Spring Thread Guard Screw	15	181877	Tension Spring	30	354622-451	Tension Indicator Dial Hinge Screw
2	381883	Thread Take-up Spring Thread Guard Bar	16	172731	Tension Spring Adjusting Screw Washer (2)	31	381719	Tension Release Lever Adjusting Plate
3	382430-451	Thread Take-up Spring Thread Guard (plastic)	17	181855	Tension Regulating Slide Plate	32	141862-814	Tension Release Lever Adjusting Plate Screw
4	382433-451	Thread Take-up Spring Thread Guard 382430-451 with 381883	18	172906	Tension Regulating Slide Plate Spring Clip	33	141824-814	Tension Mounting Bracket Screw (2)
5	381698-451	Tension Thread Guard	19	354167-451	Tension Regulating Slide Positioning Screw	34	354048-451	Thread Take-up Spring Stud Set Screw
6	354049-451	Thread Take-up Spring Adjusting Screw	20	53637-803	Tension Regulating Slide Positioning Screw Nut	35	181878	Tension Stud
7	181861-451	Thread Take-up Spring Cap and Slack Thread Regulator (plastic)	21	181853	Tension Mounting Bracket with 171272 and 381582	36	382428	Tension Disc (small) (2)
8	181875	Thread Take-up Spring Stud and Position Collar	22	171272	Tension Release Lever Connection Retaining Ring	37	381644	Tension Disc (large)
9	181872	Thread Take-up Spring	23	182222	Tension Indicator (plastic)	38	181857	Tension Disc Pressure Pin
10	381582	Tension Release Lever Connection	24	381933	Tension Indicator Spacer	39	174398	Tension Disc Pressure Plate
11	354048-451	Tension Stud Set Screw	25	141697-814	Tension Indicator Screw	40	174418	Pre-Tension Spring
12	354419-451	Tension Releasing Lever Actuator Hinge Bushing Support Screw	26	181848-451	Tension Indicator Dial (plastic)	41	381709	Pre-Tension Spring Adjusting Nut
13	181873-454	Tension Adjusting Screw	27	181854	Tension Regulating Slide	42	174394	Tension Cap Friction Washer
14	54593-451	Tension Adjusting Screw Nut	28	383086	Tension Indicator Dial Hinge Screw and Friction Washer Repair Kit	43	381695	Pre-Tension Spring Locking Cap
			29	506479	Tension Indicator Dial Hinge Screw Friction Washer	44	382431-451	Thread Take-up Spring Thread Guard Positioner
						45	382434-451	Tension Stud Complete
						46	181846-451	Tension Module

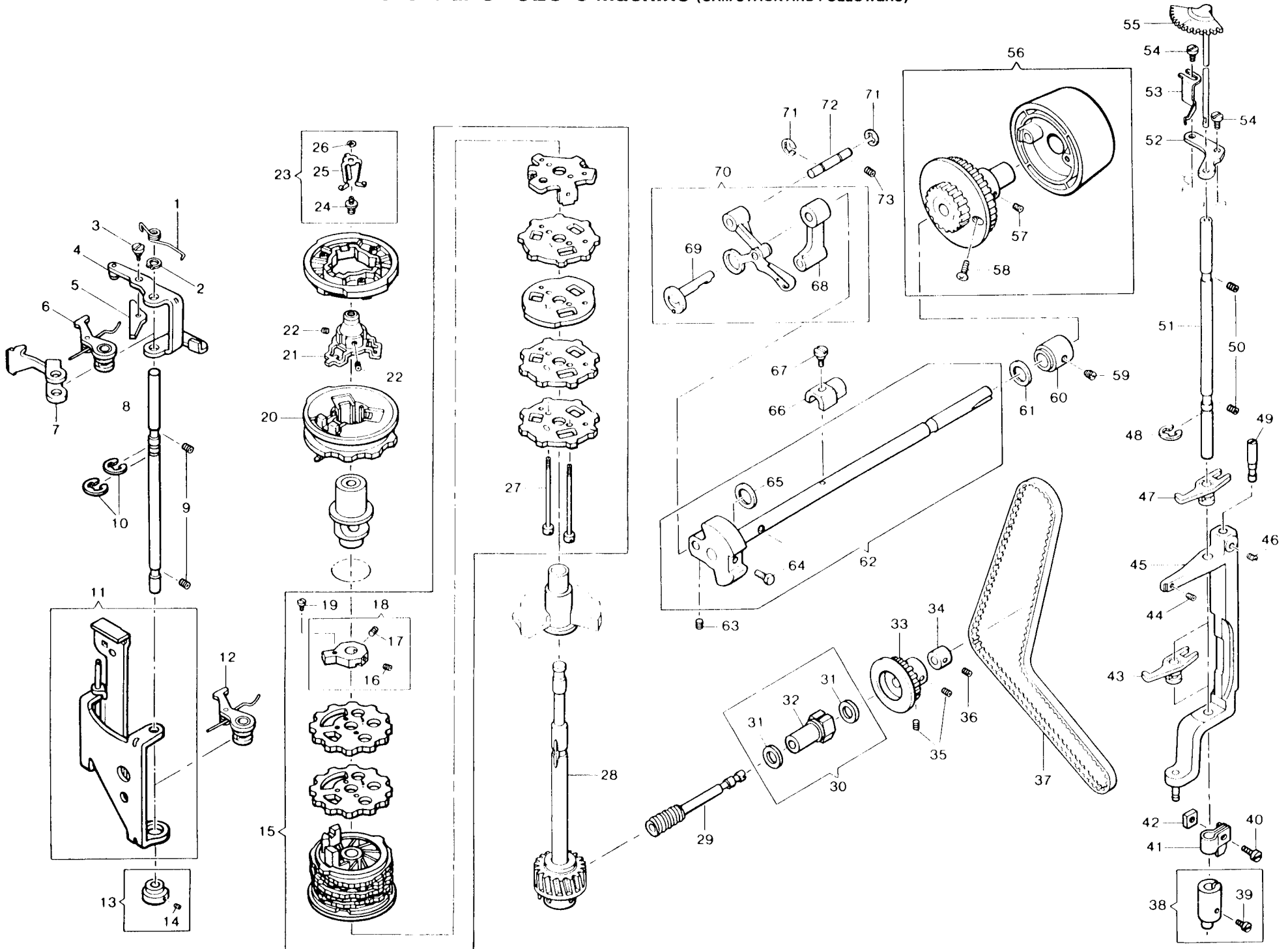
List of Parts - 925-3 Machine (BIGHT AMPLITUDE)

REF. NO.	PART NO.	DESCRIPTION	REF. NO.	PART NO.	DESCRIPTION	REF. NO.	PART NO.	DESCRIPTION
1	382814-452	Bight Amplitude and Needle Position Control Module	23	381598	Disc Pattern Selector Kick-out Dial Release Lever Link	45	507563	Disc Pattern Selector Dial Seat
2	182016	Needle Bar Driving Arm Ball Joint	24	182092	Disc Pattern Selector Kick-out Dial Release Lever	46	182133	Disc Pattern Selector Kick-out Dial Mounting Plate
3	354232-451	Needle Bar Driving Arm Ball Joint Screw	25	182094	Disc Pattern Selector Kick-out Dial Release Lever Hinge Pin	47	182096	Disc Pattern Selector Kick-out Dial Release Lever Spring
4	382800	Needle Bar Driving Arm	26	354153-451	Disc Pattern Selector Kick-out Dial Release Lever Link Screw	48	182160-451	Disc Pattern Selector Kick-out Dial (plastic)
5	382815	Needle Bar Driving Arm Assembly	27	354390-451	Disc Pattern Selector Kick-out Dial Release Lever Hinge Pin Mounting Bracket Screw (2)	49	381607-452	Disc Pattern Selector Dial
6	14494	Needle Bar Driving Arm Retaining Ring	28	182091	Needle Bar Driving Arm Plate Stop	50	182113-451	Needle Position Control Dial (plastic)
7	182017	Needle Bar Driving Arm Tension Spring	29	182089	Needle Bar Driving Arm Plate Stop Pin	51	381605-453	Bight Amplitude Control Dial
8	141852-814	Disc Pattern Selector Needle Bar Release Actuating Lever Link Screw	30	182127	Needle Bar Driving Arm Kick-out Connecting Link	52	381737	Needle Position Control Link and Buttonhole Needle Position Follower Retaining Spring Clip
9	381684	Disc Pattern Selector Kick-out Dial Body Needle Bar Release Push Rod	31	381609	Needle Bar Driving Arm Plate Kick-out	53	381652	Buttonhole Needle Position Follower Retaining Spring
10	354030-451	Disc Pattern Selector Gear Plate Screw	32	165472	Needle Bar Driving Arm Kick-out Connecting Link Retaining Ring	54	151576	Bight Amplitude Control Lever Retaining Ring
11	163562	Disc Pattern Selector Kick-out Dial Body Needle Bar Release Follower Spring Retaining Ring	33	155072	Needle Bar Driving Arm Plate Kick-out Retaining Ring	55	182099	Bight Amplitude Control Lever
12	381683	Disc Pattern Selector Kick-out Dial Body Needle Bar Release Follower Spring	34	354077-451	Needle Bar Driving Arm Plate Stop Screw	56	167160	Needle Position Cam Follower Arm Retaining Ring
13	381513	Disc Pattern Selector Kick-out Dial Body Needle Bar Release Push Rod Retaining Ring	35	182090	Needle Position Cam Stop Pin	57	381636	Needle Position Control Link (adjustable) Complete
14	381682	Disc Pattern Selector Kick-out Dial Body Needle Bar Release Follower	36	141877-814	Bight Amplitude, Needle Position and Disc Selector Control Mounting Plate Screw (2)	58	354232-451	Needle Position Control Link Eccentric Stud Screw
15	381604	Disc Pattern Selector Gear Plate	37	182154	Disc Pattern Selector Drive Gear (plastic)	59	381750	Needle Position Control Link Eccentric Stud
16	182088	Disc Pattern Selector Gear Stud	38	182156	Disc Pattern Selector Kick-out Dial Return Spring	60	182124	Needle Position Cam Follower Arm
17	182147	Disc Pattern Selector Gear (plastic)	39	354128-451	Disc Pattern Selector Kick-out Dial Return Spring Screw	61	382868	Needle Position Control Link (adjustable) Assembly
18	141877-814	Bight Amplitude Control Cam Positioning Spring Screw	40	382394	Needle Position Control Cam Positioning Spring	62	139906-451	Needle Position Control Link Stop (adjustable) Screw
19	182111	Bight Amplitude Control Cam Positioning Spring (adjustable)	41	354121-451	Needle Position Control Cam Positioning Spring Screw	63	381635	Needle Position Control Link Stop (adjustable)
20	182079	Bight Amplitude, Needle Position and Disc Selector Control Mounting Plate	42	383092	Needle Position Control Cam	64	354232-451	Needle Position Control Link (adjustable) Screw
21	51644-814	Disc Pattern Selector Kick-out Dial Mounting Plate Stud Nut (2)	43	182109	Bight Amplitude Control Cam	65	382866	Needle Position Control Link
22	182093	Disc Pattern Selector Kick-out Dial Release Hinge Mounting Bracket	44	165472	Needle Position Control Cam Retaining Ring	66	682867	Needle Position Control Link (adjustable)
						67	182162	Needle Position Control Link Spring

List of Parts - 925-3 | 1e (BIGHT AMPLITUDE)



List of Parts - 925-3 Machine (CAM STACK AND FOLLOWERS)



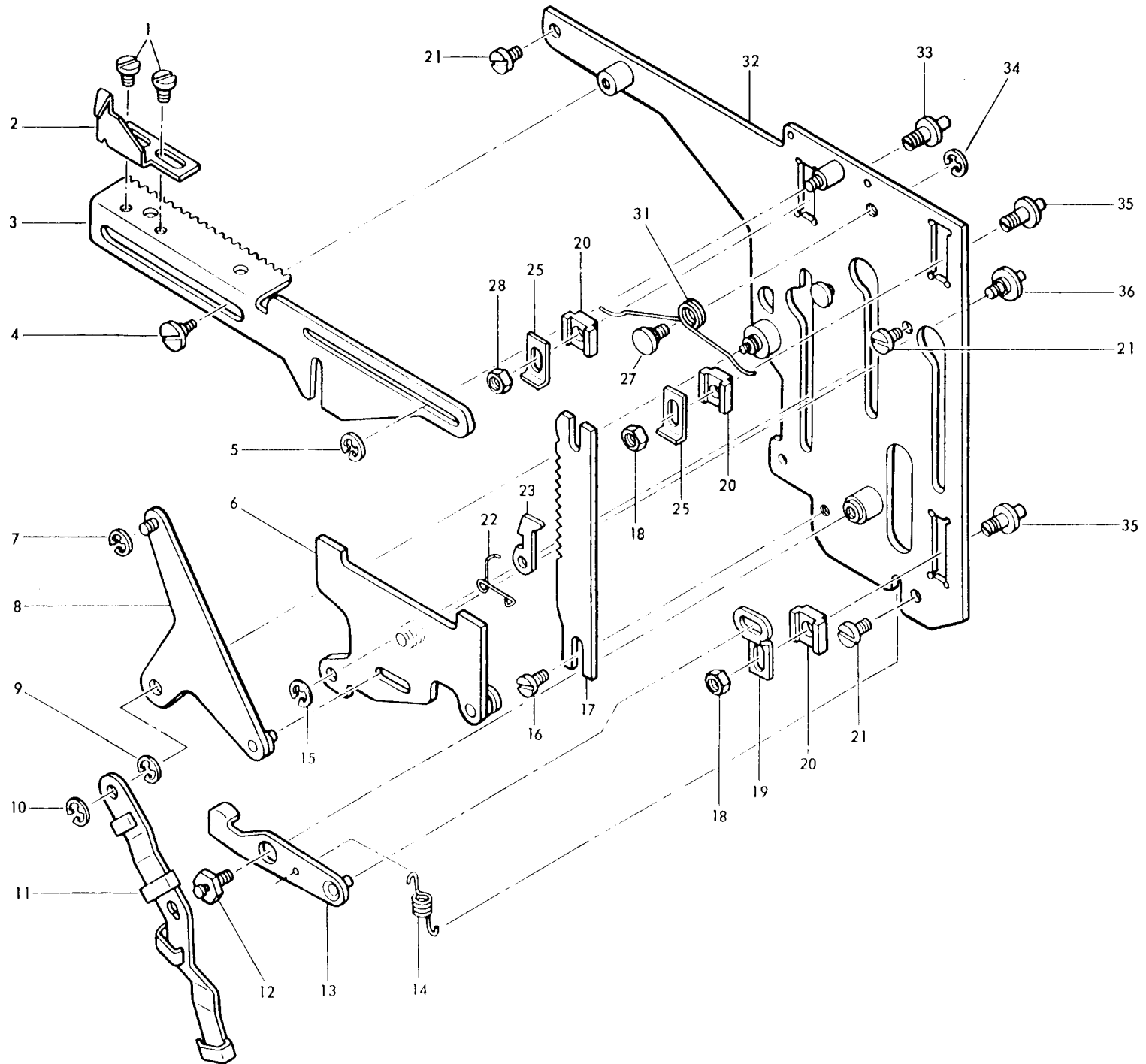
List of Parts - 925-3 Machine (CAM STACK AND FOLLOWERS)

REF. NO.	PART NO.	DESCRIPTION	REF. NO.	PART NO.	DESCRIPTION	REF. NO.	PART NO.	DESCRIPTION
1	182166	Disc Pattern Selector Kick-out Lever Return Spring	28	382498	Disc Stack Shaft with Molded Gear	49	381948	Disc (feed control) Follower Eccentric Stud
2	182150	Disc Pattern Selector Lever Retaining Ring	29	181865	Disc Stack Driving Gear	50	354401-451	Disc (feed control) Follower (lower and upper) Shaft Set Screw (2)
3	141824-814	Needle Bar Driving Arm Kick-out Actuator Screw	30	382432	Disc Stack Driving Gear Bushing Repair Kit Consisting of 382403 and 382404 (2)	51	181943	Disc (feed control) Follower (lower and upper) Shaft
4	182138	Disc Pattern Selector Kick-out Lever	31	382404	Disc Stack Driving Gear Bushing (eccentric) Washer (plastic) (2)	52	381651	Disc (feed control) Follower (lower and upper) Shaft Support Bracket
5	182128	Needle Bar Driving Arm Kick-out Actuator	32	382403	Disc Stack Driving Gear Bushing (eccentric)	53	381830	Buttonholer Disc Friction Spring
6	182015	Disc (Needle Position) Follower (upper)	33	382425	Disc Driving Gear Pulley with two 354176-451	54	354090-451	Disc (feed control) Follower (upper and lower) Shaft Support Bracket Screw (2)
7	182026	Buttonholer Needle Position Follower	34	174235	Disc Stack Driving Collar with 141802-869	55	181942-451	Feed Balancing Dial
8	181944	Disc (Needle Position) Follower (upper and lower) Shaft	35	354176-451	Disc Driving Gear Pulley Set Screw (2)	56	382438-451	Hand Wheel Complete
9	354401-451	Disc (Needle Position) Follower (upper and lower) Shaft Set Screw (2)	36	141802-869	Disc Stack Driving Gear Collar Set Screw	57	354201-451	Hand Wheel Pulley Set Screw
10	151527	Needle Bar Driving Arm Plate Hinge Bracket Retaining Ring (lower and upper)(2)	37	181732	Belt (from hand wheel pulley) to Disc Stack Driving Gear Pulley and Rotating Hook Drive Shaft Belt Pulley	58	354317-451	Hand Wheel Screw
11	382495	Needle Bar Driving Arm Plate Assembly	38	381993	Disc Controlled Feed Lever and Feed Balance Eccentric	59	354565-451	Arm Shaft (horizontal) Retaining Collar Set Screw
12	182015	Disc (Needle Position) Follower (lower)	39	354297-451	Disc Controlled Feed Lever and Feed Balancing Eccentric Screw	60	382897	Arm Shaft (horizontal) Retaining Collar with 354565-451
13	381529	Needle Bar Driving Arm Plate Hinge Bracket (lower) Eccentric	40	141852-814	Disc Controlled Feed Lever and Feed Balancing Eccentric Adjustable Clamping Clip Screw	61	181620	Arm Shaft (horizontal) Retaining Collar Thrust Washer (plastic)
14	354048-451	Needle Bar Driving Arm Plate Hinge Bracket (lower) Eccentric Screw	41	381994	Disc Controlled Feed Lever and Feed Balancing Eccentric Adjustable Clamping Clip	62	382887	Arm Shaft (horizontal) Assembly
15	382997	Disc Stack, Disc Pattern Feed Cams and Driver Complete	42	179717-451	Disc Controlled Feed Lever and Feed Balancing Eccentric Adjustable Clamping Clip Nut	63	354565-451	Thread Take-up Crank (eccentric) Set Screw
16	354176-451	Disc Stack Driver Set Screw	43	381975	Disc (feed control) Follower (lower)	64	139999-451	Needle Bar Crank Position Screw
17	354163-451	Disc Stack Driver Positioning Set Screw	44	354079-451	Disc Controlled Feed Lever Connection Driving Shaft Bracket Adjusting Screw	65	181620	Needle Bar Crank Washer (plastic)
18	381664	Disc Stack Driver and Screws	45	381972	Disc Controlled Feed Lever Connection Bracket	66	182163	Disc Pattern Selector Kick-out Dial Releasing Cam (plastic)
19	354560-451	Disc Stack Driver Screw	46	141832-869	Disc (feed control) Follower Eccentric Stud Set Screw	67	139997-451	Disc Pattern Selector Kick-out Dial Releasing Cam Screw
20	382818-451	Buttonholer Disc	47	381975	Disc (feed control) Follower (upper)	68	382715	Needle Bar Connecting Link
21	383161	Disc Driver	48	151527	Disc (feed control) Follower (lower and upper) Shaft Retaining Ring	69	381574	Thread Take-up Crank (eccentric)
22	354401-451	Disc Driver Set Screw (2)				70	381734	Thread Take-up Lever
23	383195	Disc Retaining Spring Assembly				71	151525	Thread Take-up Lever Link Retaining Ring (2)
24	354677-451	Disc Retaining Spring Pilot Screw				72	181625	Thread Take-up Lever Link Hinge Stud
25	383164	Disc Retaining Spring				73	354328-451	Thread Take-up Lever Link Hinge Stud Set Screw
26	14494	Disc Retaining Spring Retaining Ring						
27	354561-451	Disc Stack, Disc Pattern Feed Cams and Driver Screw (2)						

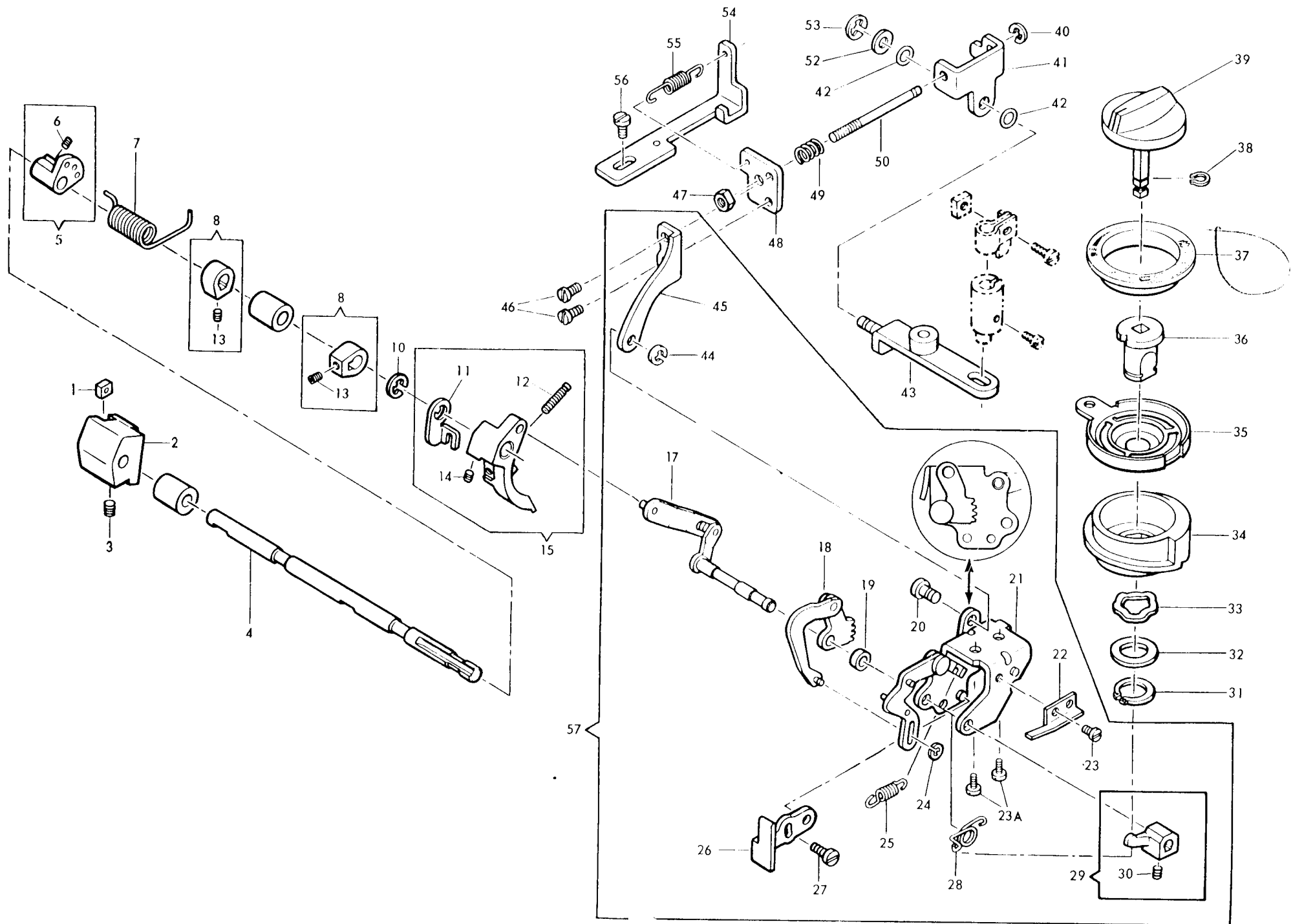
List of Parts - 925-3 Machine (CAM SELECTOR MECHANISM)

REF. NO.	PART NO.	DESCRIPTION	REF. NO.	PART NO.	DESCRIPTION	REF. NO.	PART NO.	DESCRIPTION
1	354071-451	Disc Selector Pattern Indicator Screw (2)	10	14494	Light Wire Harness Bracket Retaining Ring	21	354090-451	Disc Selector Mounting Plate Screw (3)
2	181996	Disc Selector Pattern Indicator	11	381796	Light Wire Harness Bracket	22	181994	Disc (Needle Position) Follower (lower) Selector Positioning Pawl Spring
3	181995	Disc (Feed Control and Needle Position) Followers (upper and lower) Actuating Slide Rack	12	354124-451	Disc (Feed Control) Follower (lower) Slide Block Lever Screw	23	181993	Disc (Needle Position) Follower (lower) Selector Positioning Pawl
4	354125-451	Disc (Feed Control and Needle Position) Followers (upper and lower) Actuating Slide Rack Screw	13	181982	Disc (Feed Control) Follower (lower) Slide Block Lever	25	181980	Disc (Feed Control and Needle Position) Followers (upper and lower) Slide Block Plate (2)
5	382321	Disc (Feed Control and Needle Position) Followers (upper and lower) Actuating Slide Rack Retaining Ring	14	174270	Disc (Feed Control) Follower (lower) Slide Block Lever Spring	27	181975	Disc Followers (upper) Spring Stud
6	181991	Disc (Feed Control and Needle Position) Followers (upper and lower) Actuating Plate	15	14494	Disc (Needle Position) Follower (lower) Selector Stud Retaining Ring	28	54584-451	Disc (Needle Position) Follower (upper) Selector Stud Nut
7	165472	Disc (Feed Control and Needle Position) Followers (upper and lower) Actuating Plate Lever Retaining Ring	16	354501-451	Disc (Needle Position) Follower (lower) Selector Positioning Plate Screw	31	181976	Disc (Feed Control and Needle Position) Followers (upper) Slide Block Spring
8	181988	Disc (Feed Control and Needle Position) Follower (upper and lower) Actuating Plate Lever	17	181974	Disc (Needle Position) Follower (lower) Selector Positioning Plate	32	181968	Disc Selector Mounting Plate
9	151527	Disc Selector Actuating Lever Retaining Ring	18	54584-451	Disc (Feed Control) Follower (lower and upper) Selector Stud Nut (2)	33	181981	Disc (Needle Position) Follower (upper) Selector Stud
			19	181977	Disc (Feed Control) Follower (lower) Slide Block Adjusting Plate	34	165472	Disc Followers (upper) Spring Stud Retaining Ring
			20	181979	Disc (Feed Control and Needle Position) Followers (upper and lower) Slide Block (3)	35	181978	Disc (Feed Control) Follower (upper and lower) Selector Stud (2)
						36	181992	Disc (Needle Position) Follower (lower) Selector Stud

List of Parts - 925-? Machine (CAM SELECTOR MECHANISM)



List of Parts - 925-3 Machine (FEED CONTROL MECHANISM)



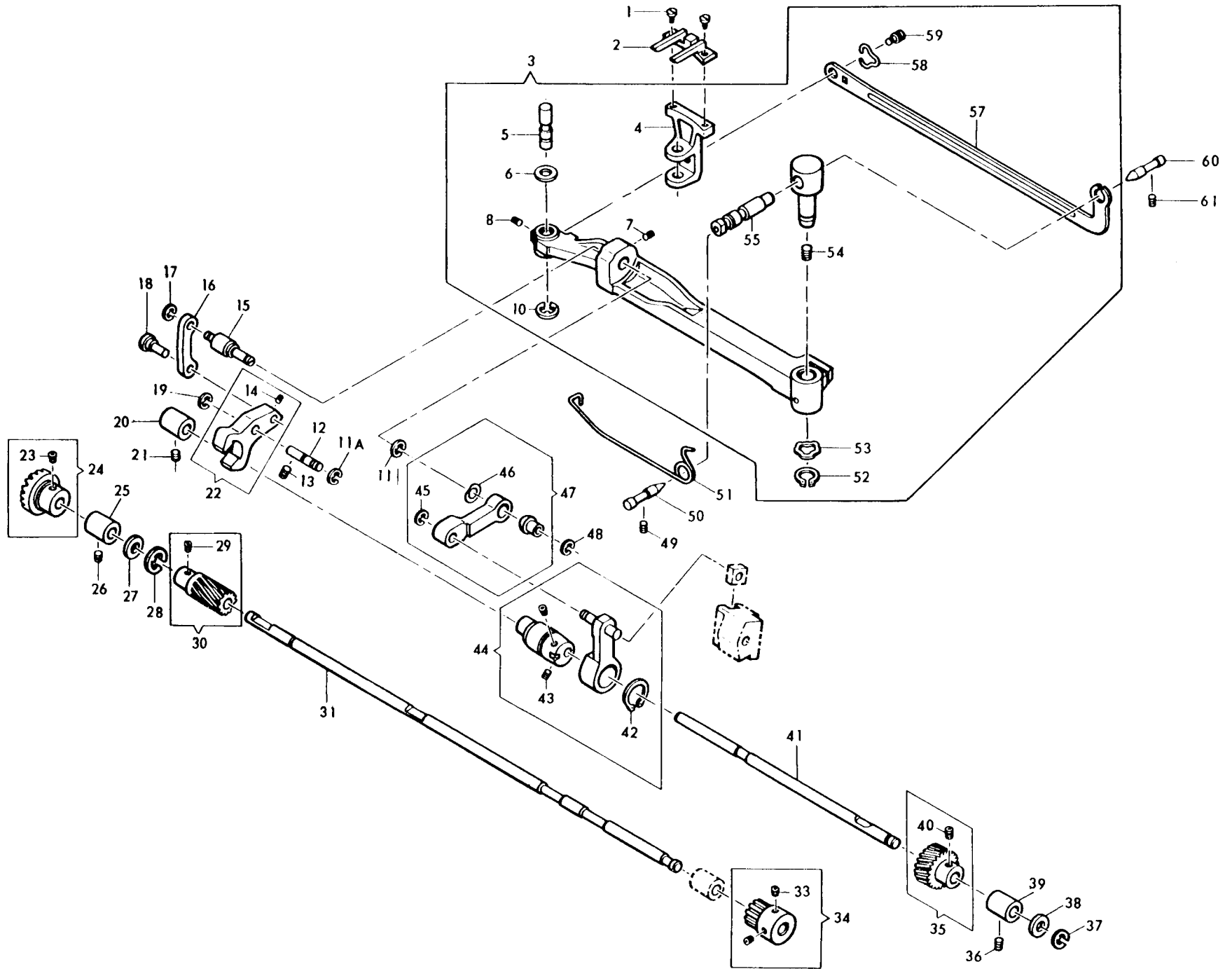
List of Parts - 925-3 Machine (FEED CONTROL MECHANISM)

REF. NO.	PART NO.	DESCRIPTION	REF. NO.	PART NO.	DESCRIPTION	REF. NO.	PART NO.	DESCRIPTION
1	511030	Feed Regulator Slide Block	21	182072	Feed Control Mounting Bracket	40	382375	Disc Controlled Feed Lever Screw
2	181956	Feed Regulator	22	181886	Feed Control Cam Friction Spring and Stop	41	381844	Disc Controlled Feed Lever Bracket
3	141818-869	Feed Regulator Set Screw	23	141862-814	Feed Control Cam Friction Spring and Stop Screw	42	181925	Disc Controlled Feed Lever Ball Stud Spacer (2)
4	181897	Feed Regulator Shaft	23A	354158-451	Feed Control Mounting Bracket Screw (2)	43	382410	Disc Controlled Feed Lever Connection
5	181908	Feed Regulator Shaft Tension Spring Adjusting Collar	24	153513	Feed Regulator Shaft Controlling Lever Follower Stud Retaining Ring	44	151576	Disc Controlled Feed Lever Connection Driving Shaft Bracket Hinge Stud Retaining Ring
6	141772-869	Feed Regulator Shaft Tension Spring Adjusting Collar Set Screw	25	382327	Feed Control Cam Follower Lever Spring	45	381841	Disc Controlled Feed Lever
7	181906	Feed Regulator Shaft Tension Spring	26	381934	Feed Control Cam Support (adjustable)	46	354192-452	Disc Controlled Feed Lever Screw (2)
8	181900	Feed Regulator Shaft Collar (2)	27	141824-814	Feed Control Cam Support (adjustable) Screw	47	53654-814	Disc Controlled Feed Lever Screw Stud Nut
10	382959	Feed Regulator Shaft Controlling Lever Plate (adjustable) Ring Retaining	28	181911	Reverse Feed Lever Return Spring	48	381845	Disc Controlled Feed Lever Plate
11	382750	Feed Regulator Shaft Controlling Lever Plate (adjustable)	29	181910	Reverse Feed Lever	49	381541	Disc Controlled Feed Lever Spring
12	354528-451	Feed Regulator Shaft Controlling Lever Plate Adjusting Screw	30	354248-451	Reverse Feed Lever Set Screw	50	381842	Disc Controlled Feed Lever Screw Stud
13	141802-869	Feed Regulator Shaft Collar Set Screw (2)	31	151545	Feed Control Cam Bushing Retaining Ring	52	382417	Disc Controlled Feed Lever Ball Stud Washer
14	141338-869	Feed Regulator Shaft Controlling Lever Set Screw	32	382733	Feed Control Cam Bushing Spring Washer	53	163562	Disc Controlled Feed Lever Ball Stud Retaining Ring
15	382748	Feed Regulator Shaft Controlling Lever Assembly	33	381641-001	Feed Control Cam Bushing Spacer	54	382400	Disc Controlled Feed Lever Bracket Stop
17	182073	Reverse Feed Lever Shaft	34	181879	Feed Control Cam (plastic)	55	381838	Disc Controlled Feed Lever Bracket Return Spring
18	182076	Feed Control Cam Follower Lever Link	35	381626	Feed Control Knob Ring Retaining Cup	56	354090-451	Disc Controlled Feed Lever Bracket Stop Screw
19	181894	Disc Controlled Feed Lever Segment (back) Spacer (plastic)	36	182181	Feed Control Cam Bushing	57	181892	Feed Control Mounting Bracket
20	181954	Disc Controlled Feed Lever Segment (back) Stud	37	382477-001	Feed Control Knob Ring (plastic)			
			38	381502	Feed Control Knob Retaining Ring			
			39	381712-451	Feed Control Knob			

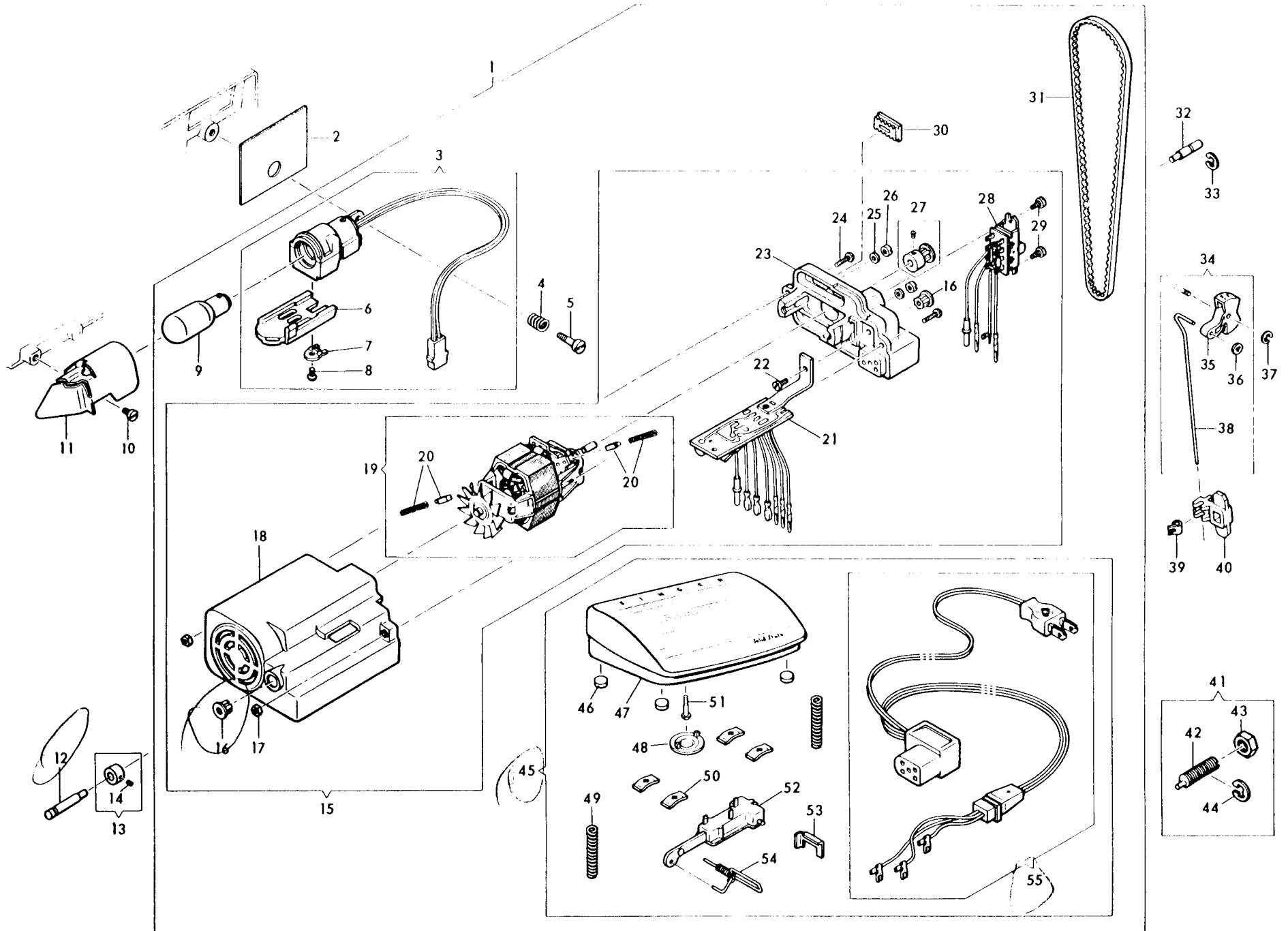
List of Parts - 925-3 Machine (ALPHA FEED)

REF. NO.	PART NO.	DESCRIPTION	REF. NO.	PART NO.	DESCRIPTION	REF. NO.	PART NO.	DESCRIPTION
1	141896-451	Feed Dog Screw (2)	22	174276	Feed Lifting Fork with 141802-869	44	172880	Feed Regulator Slide Block Drive
2	181843	Feed Dog	23	141338-869	Rotating Hook Drive Shaft Bevel			Connection Complete
3	382807	Feed Bar with Machined Feed Dog Holder	24	163331	Gear (plastic) Set Screw	45	163562	Feed Bar Connection Retaining Ring (left)
4	174215-901	Feed Dog Holder	25	383011	Rotating Hook Drive Shaft Bevel Gear (plastic) with 141338-869	46	172947	Feed Bar Connection and Feed Lifting Fork Connection Hinge Stud (eccentric) Spring Washer
5	174217	Feed Dog Holder Stud	26	139878-869	Rotating Hook Drive Shaft Bushing (left)	47	381806	Feed Bar Connection with 163562 and 172947
6	174251	Feed Dog Holder Washer	27	181957-451	Rotating Hook Drive Shaft Bushing (left) Set Screw	48	163562	Feed Bar Connection Ball Bearing Retaining Ring
7	141812-451	Feed Bar Connection and Feed Lifting Fork Connection Hinge Stud (eccentric) Set Screw	28	163562	Rotating Hook Drive Shaft Thrust Washer Retaining Ring	49	139878-869	Feed Bar Pivot Hinge Stud Adjusting Pin (eccentric) Center (front) Set Screw
8	139878-869	Feed Dog Holder Stud Set Screw	29	141772-869	Feed Drive Shaft Driving Gear (helical, plastic) Set Screw	50	182199	Feed Bar Pivot Hinge Stud Adjusting Pin (eccentric) Center (front)
10	163562	Feed Dog Holder Stud Retaining Ring	30	174488	Feed Drive Shaft Driving Gear (helical, plastic) with 141772-869	51	182239	Feed Bar Spring
11	163562	Feed Bar Connection and Feed Lifting Fork Connection Hinge Stud (eccentric) Retaining Ring	31	181579	Rotating Hook Drive Shaft	52	172876	Feed Bar Pivot Hinge Stud Retaining Ring
11A	163562	Feed Lifting Fork Hinge Stud Retaining Ring (right)	33	141338-869	Rotating Hook Drive Shaft Belt Pulley Set Screw (2)	53	511211	Feed Bar Pivot Hinge Stud Spring Washer
12	511057	Feed Lifting Fork Hinge Stud	34	174282-001	Rotating Hook Drive Shaft Belt Pulley with two 141338-869	54	141801-451	Feed Bar Pivot Hinge Stud Lock Screw
13	139878-869	Feed Lifting Fork Hinge Stud Set Screw	35	174491	Feed Drive Shaft Gear (helical, plastic) with 141338-869	55	381833	Feed Bar Pivot Hinge Stud Adjusting Pin (eccentric)
14	141802-869	Feed Lifting Fork Connection Hinge Stud (eccentric) Set Screw	36	139878-869	Feed Drive Shaft Gear (helical, plastic) Set Screw	57	174216	Feed Dog Holder Compensating Link
15	174247	Feed Bar Connection and Feed Lifting Fork Connection Hinge Stud (eccentric)	37	163562	Feed Drive Shaft Thrust Washer Retaining Ring	58	511075	Feed Dog Holder Compensating Link Retaining Spring
16	511016	Feed Lifting Fork Connection	38	181957-451	Feed Drive Shaft Thrust Washer	59	141827-803	Feed Dog Holder Compensating Link Screw Stud
17	163562	Feed Lifting Fork Connection Retaining Ring	39	383011	Feed Drive Shaft Bushing (right)	60	382722	Feed Bar Pivot Hinge Stud Adjusting Pin (eccentric) Center (back)
18	174220	Feed Lifting Fork Connection Hinge Stud (eccentric)	40	141338-869	Feed Drive Shaft Gear (helical, plastic) Set Screw	61	354163-451	Feed Bar Pivot Hinge Stud Adjusting Pin (eccentric) Center (back) Set Screw
19	163562	Feed Lifting Fork Hinge Stud Retaining Ring (left)	41	181598	Feed Drive Shaft			
20	383011	Feed Drive Shaft Bushing (left)	42	174277	Feed Regulator Slide Block Drive Connection Retaining Ring			
21	139878-869	Feed Drive Shaft Bushing (left) Set Screw	43	141802-869	Feed Lifting Cam and Feed Eccentric Set Screw (2)			

List of Parts - 9. Machine (ALPHA FEED)



List of Parts - 925-3 Machine (ELECTRICAL PARTS)



List of Parts - 925- hine (ELECTRICAL PARTS)

REF. NO.	PART NO.	DESCRIPTION	REF. NO.	PART NO.	DESCRIPTION	REF. NO.	PART NO.	DESCRIPTION
1	604791-001	Electrical Equipment Complete	20	619434-002	Brush with Spring (2)	38	381511	Light Switch Actuating Rod
2	382376	Light Lead Insulator Shield	21	605041-001	Circuit Board Assembly	39	382330	Light Switch Actuating Bracket Spring Clip
3	604027-001	Light Complete with 603959-901, 604128-901 and 618702-003	22	618634-004	Self Tapping Screw	40	382382	Light Switch Actuating Bracket (plastic)
4	603987-001	Light Bracket Spring	23	604035-008	Commutator End Housing	41	382482	Motor Adjusting Stud (eccentric) Complete
5	619407-003	Light Bracket Mounting Screw	24	140677-003	Round Head Screw (2)	42	182009	Motor Adjusting Stud (eccentric)
6	604128-901	Light Lens	25	604018-001	Washer (2)	43	54585-451	Motor Adjusting Stud (eccentric) Jam Nut
7	603959-901	Spring Clip	26	603907-002	Nut (2)	44	151525	Motor Adjusting Stud (eccentric) Retaining Ring
8	618702-003	Screw	27	604431-002	Pulley Assembly	45	604280-001	Controller Complete
9	777910-001	Lamp	28	604783-002	Switch Complete	46	619491-001	Rubber Feet (4)
10	141824-814	Light Shield Screw	29	618634-004	Self Tapping Screw (switch)(2)	47	619489-003	Base and Pedal Assembly
11	182250	Light Shield	30	604228-001	Motor Adjusting Block	48	619492-001	Snap-on Plug
12	381691	Motor Hinge Pin (left)	31	603975-002	Timing Belt	49	618542-001	Pedal Return Spring (2)
13	381867	Motor Hinge Pin Collar (left) with 141802-869	32	382367	Motor Hinge Pin (right)	50	618538-002	Push-on Nut (4)
14	141802-869	Motor Hinge Pin Collar (left) Set Screw	33	151527	Motor Hinge Pin (right) Retaining Ring	51	619192-001	Shoulder Screw
15	604792-001	Motor Complete	34	381512-451	Light Switch Actuating Rocker Button	52	604173-002	Straight Line Potentiometer
16	604229-001	Motor Hinge Pin Insert (plastic) (2)	35	182048-451	Light Switch Actuating Rocker Button (plastic)	53	618813-001	Strain Relief Clip
17	706404-017	Hex Nut (2)	36	381513	Light Switch Actuating Rod Retaining Ring	54	619184-001	Actuating Lever with Torsion Spring
18	604034-002	Cover	37	14494	Light Switch Actuating Rocker Button Retaining Ring	55	604278-001	Cord Complete
19	604299-001	Motor Module with two 619434-002						