

**PARTS CATALOGUE FOR  
COMPUTERIZED SEWING MACHINE**

**NC21-SE Model**

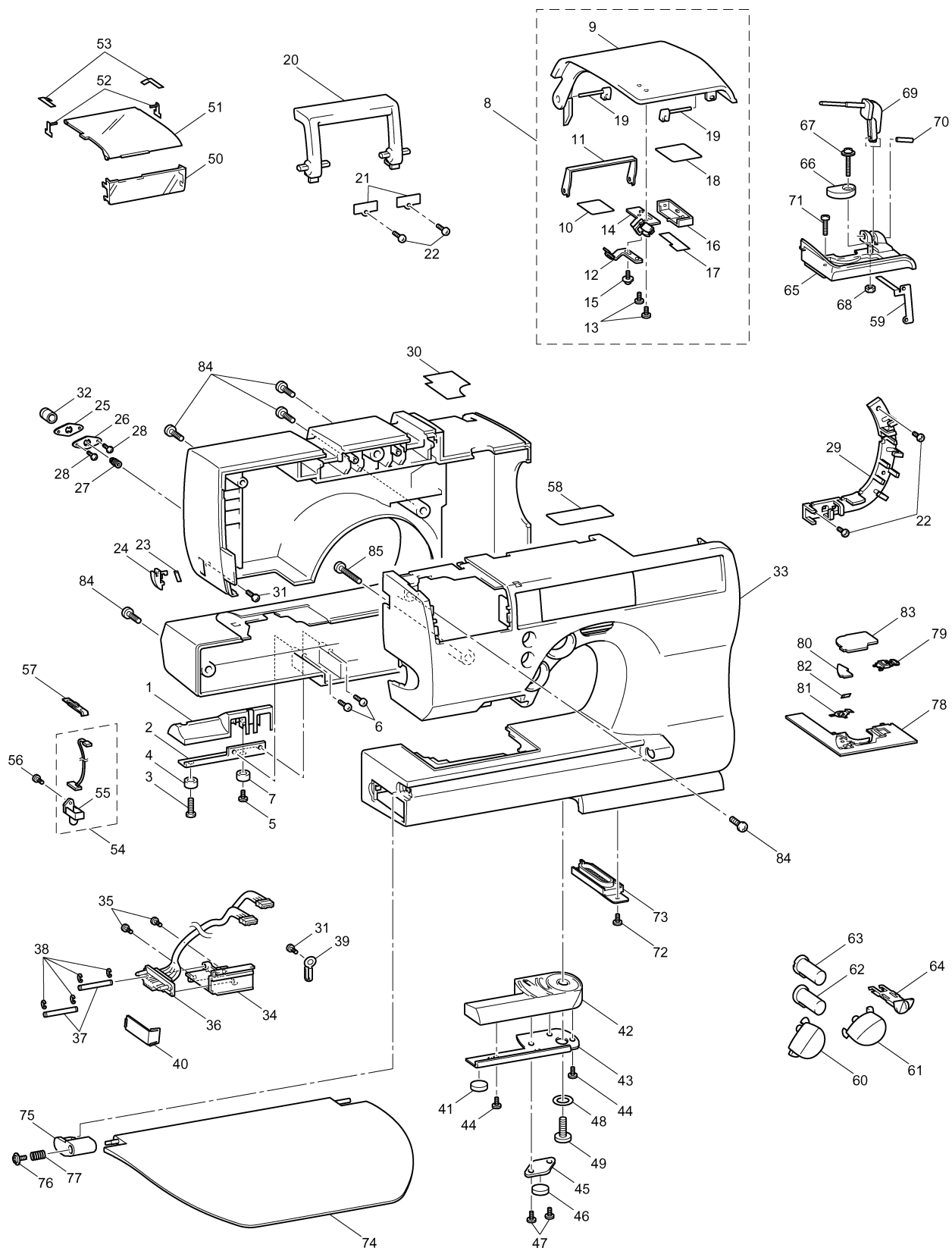
**NV500D**

# CONTENTS

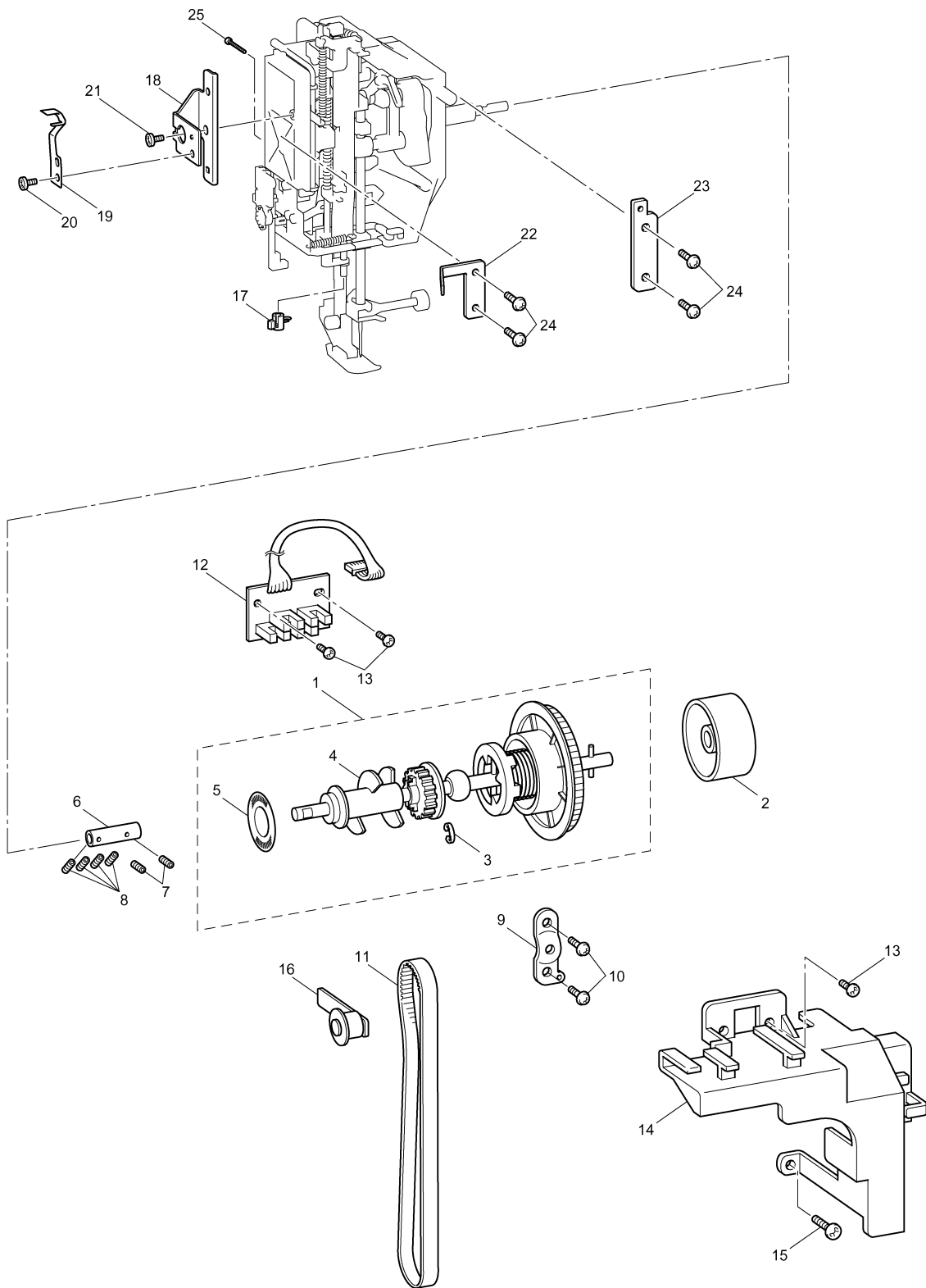
(1) PRINCIPAL PARTS.....	2
(2) UPPER SHAFT / NEEDLE BAR, PRESSER MECHANISM.....	4
(3) FEED, ROTARY HOOK / THREAD CUTTING / ROTARY HOOK DRIVE MECHANISM .....	6
(4) BOBBIN WINDER MECHANISM .....	8
(5) THREAD GUIDE MECHANISM.....	10
(6) THREAD HOOK MECHANISM .....	12
(7) ELECTRONIC PARTS / MOTOR UNIT .....	14
(8) EMBROIDERY UNIT .....	16
(9) ATTACHMENTS / PACKING MATERIALS / PRINTED MATTER .....	18
NEEDLE-PRESSER MODULE.....	20
FEED MODULE .....	22
THREAD CUTTER MODULE .....	24

## (1) PRINCIPAL PARTS

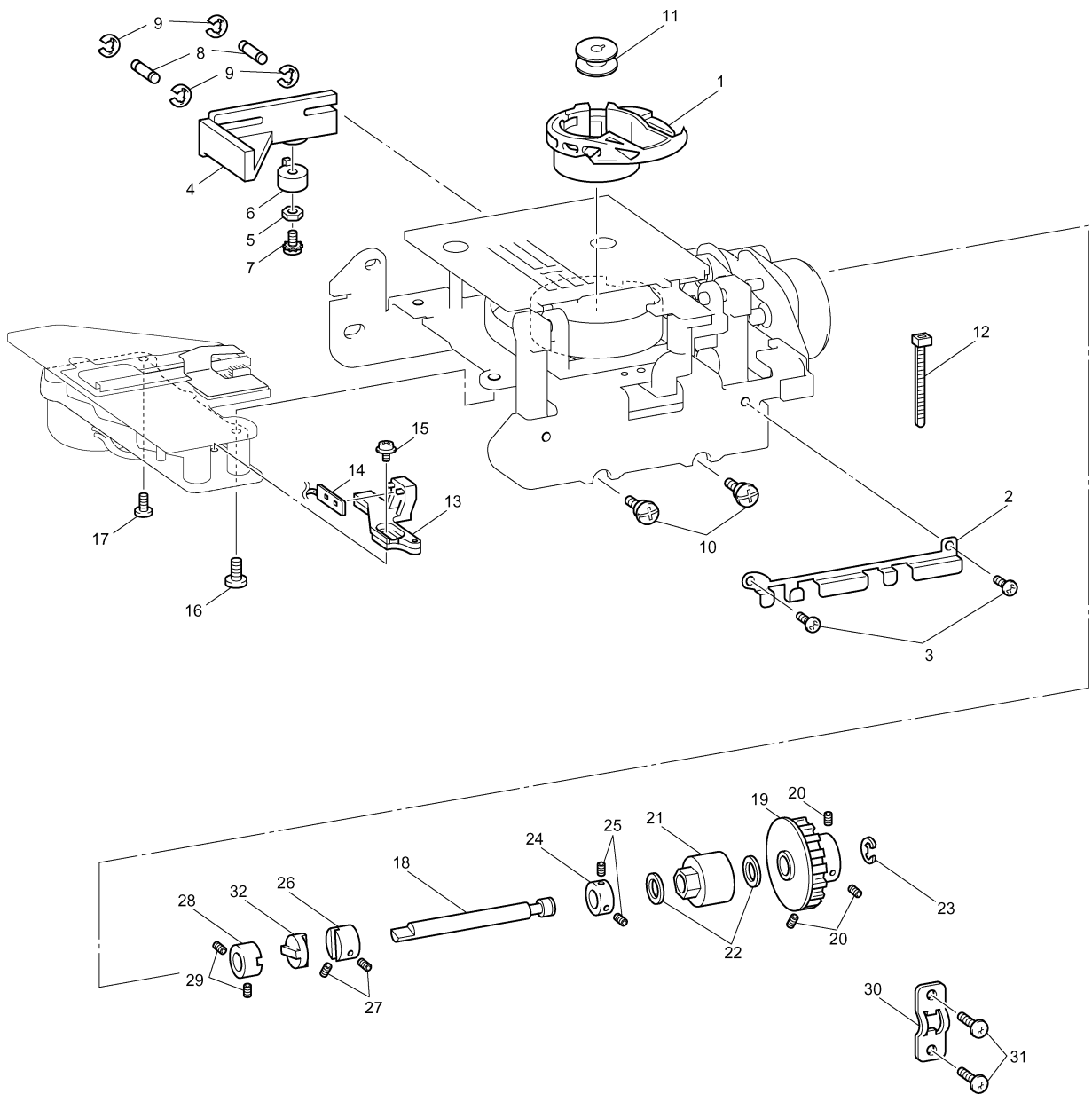
No.	CODE	NAME	REMARKS	No.	CODE	NAME	REMARKS
1	XC3469021	BASE COVER B		43	XC3494021	BASE PLATE A	
2	XC3470021	BASE PLATE B		44	085310815	TAPTITE, BIND B M3 × 8	
3	XC3471021	ADJUSTING SCREW		45	XC4302021	RUBBER CUSHION PLINTH	
4	XC3472021	BASE PLATE RUBBER		46	XC4077051	BASE PLATE RUBBER	
5	085310815	TAPTITE, BIND B M3 × 8		47	085311015	TAPTITE, BIND B M3 × 10	
6	060401216	SCREW, BIND M4 × 12		48	XC3495021	BASE COVER WASHER	
7	XC4077051	BASE PLATE RUBBER		49	XC3496051	GIZA TITE 5 × 16	
8	XC5265022	BOBBIN WINDER COVER ASSY		50	XC3497021	FRONT COVER FOR CASSETTE	
9	XC3473021	BOBBIN WINDER COVER ASSY		51	XC3498021	CASSETTE COVER	
10	XC5266021	THREAD GUIDE SEAL		52	XC3499021	COVER LINK PLATE ASSY	
11	XC4062021	BOBBIN WINDER COVER SUPPORTER		53	XC3502020	LINK HOLD PLATE	
12	XC3675021	THREAD TENSION PLATE		54	XC3503021	LED LAMP HOLDER R ASSY	
13	085310815	TAPTITE, BIND B M3 × 8		55	XC3506021	LED LAMP HOLDER R	
14	XC3676021	THREAD TENSION ASSY		56	085311015	TAPTITE, BIND B M3 × 10	
15	0A4300605	SCREW, PAN (S/P WASHER) M3 × 6		57	XC3710021	LED COVER	
16	XC4212021	THREAD TENSION COVER		58	XC5304021	CASSETTE CAUTION SEAL	
17	XC4574021	THREAD TENSION COVER SEAL		59	XC5267021	COVER FIXED PLATE	
18	XC6282021	BOBBIN WINDER COVER LABEL		60	XC3507023	SS BUTTON	
19	XC3475020	SHAFT FOR BOBBIN WINDER COVER		61	XC3508021	BACKSTITCHING BUTTON	
20	XC3476021	HANDLE		62	XC3509021	NP BUTTON	
21	XC3477021	HANDLE FIXED PLATE		63	XC3510021	THREAD CUTTING BUTTON	
22	085311015	TAPTITE, BIND B M3 × 10		64	XC3511021	SV KEY TOP	
23	X80321001	NT LOWER THREAD CUTTER		65	XC3513021	BOBBIN WINDER PLATE	
24	XC3478021	CUTTER COVER		66	XC3514021	BOBBIN PRESSER	
25	XC3479021	ADJUSTING PLATE		67	0A4302006	SCREW, PAN (S/P WASHE) M3 × 20	
26	XC3480021	PLATE SPRING		68	021300106	NUT, 1 M3	
27	XC4053021	ADJUSTING PLATE		69	XC3474021	LOWER THREAD PIN	
28	XC5161051	GIZA TITE M4 × 10		70	0A0311250	PIN, SPRING ROLL BW3 × 12	
29	XC3854021	LEAD WIRE GUIDE		71	060301206	SCREW, BIND M3 × 12	
30	XC4575021	BOBBIN WINDER SEAL		72	085310815	TAPTITE, BIND B M3 × 8	
31	085310815	TAPTITE, BIND B M3 × 8		73	XC3515021	BASE COVER	
32	XC4806020	ARM CAP		74	XC3517023	FLAP TABLE	
33	XC4795023	FRONT COVER SUPPLY ASSY (U.S.A., CANADA)		75	XC3518021	TABLE BEARING	
	XC4795022	FRONT COVER SUPPLY ASSY		76	087310816	TAPTITE, CUP B M3 × 8	
34	XC3489021	CONNECTER HOLDER		77	XC3519021	SPRING, COMPRESSION	
35	085311015	TAPTITE, BIND B M3 × 10		78	XC3521021	NEEDLE PLATE B	
36	XC3490021	ASSY: MAIN BODY LEAD WIRE		79	XC2366151	SLIDE BUTTON	
37	XC3826021	ES PIN		80	XC2367051	CUTTER COVER	
38	048020346	RETAINING RING, E2		81	XC2368051	SPRING PLATE	
39	X52318021	COACHING CLIP CS-2		82	X80321001	NT LOWER THREAD CUTTER	
40	XC3491021	CONECTER COVER		83	XC2369051	NEEDLE PLATE COVER	
41	XC4077051	BASE PLATE RUBBER		84	XC3496051	GIZA TITE 5 × 16	
42	XC3493021	BASE COVER A		85	XC5401051	GIZA TITE 3 × 32	



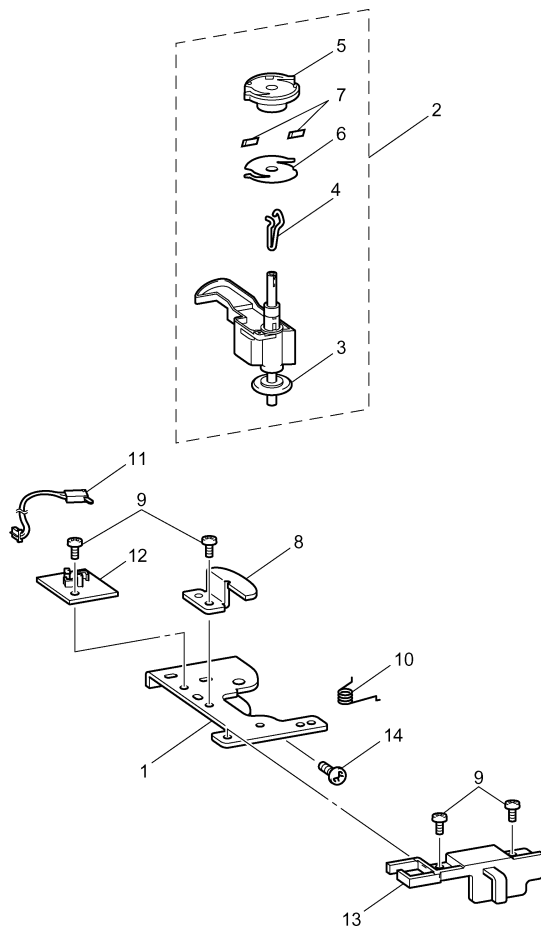






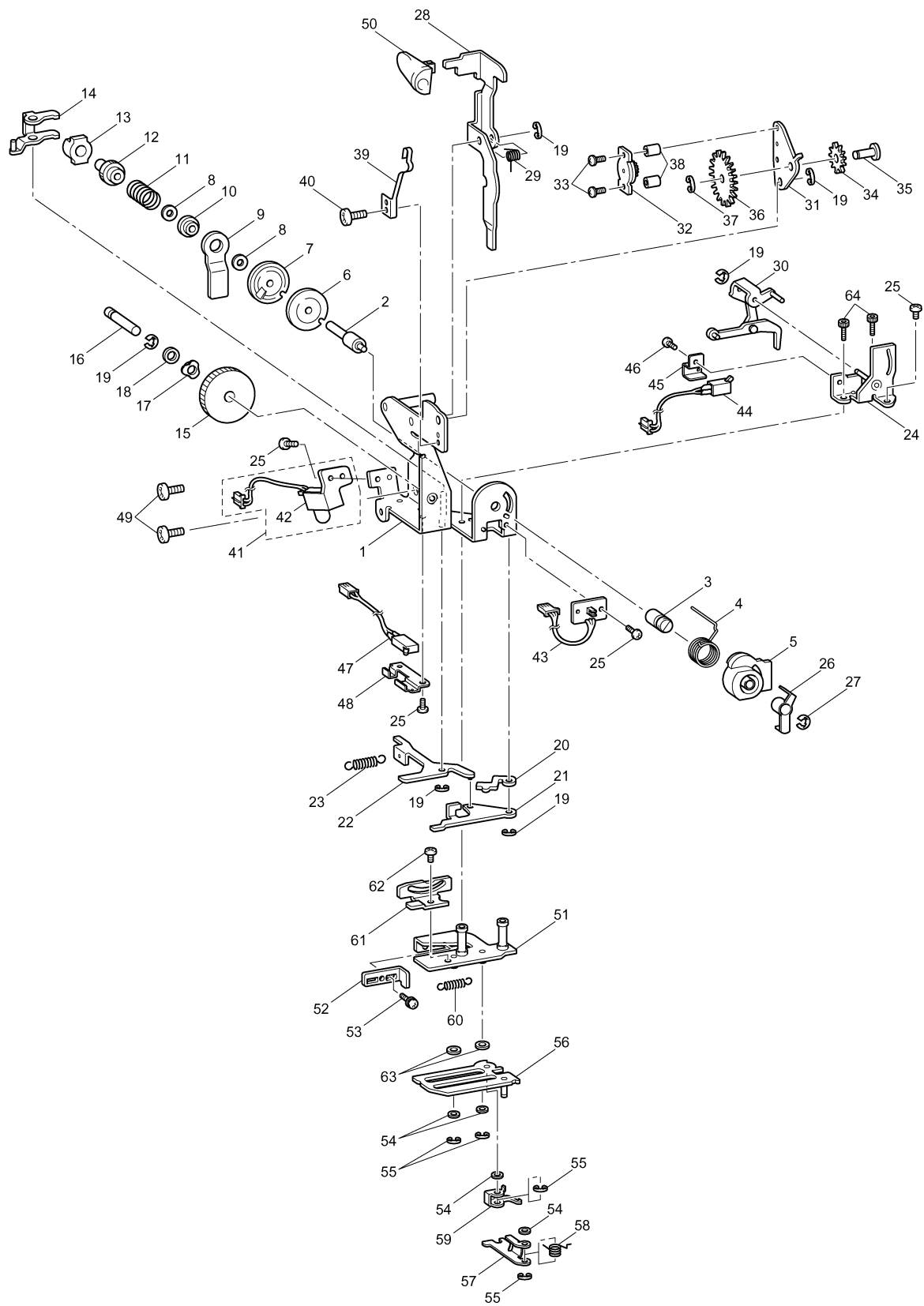




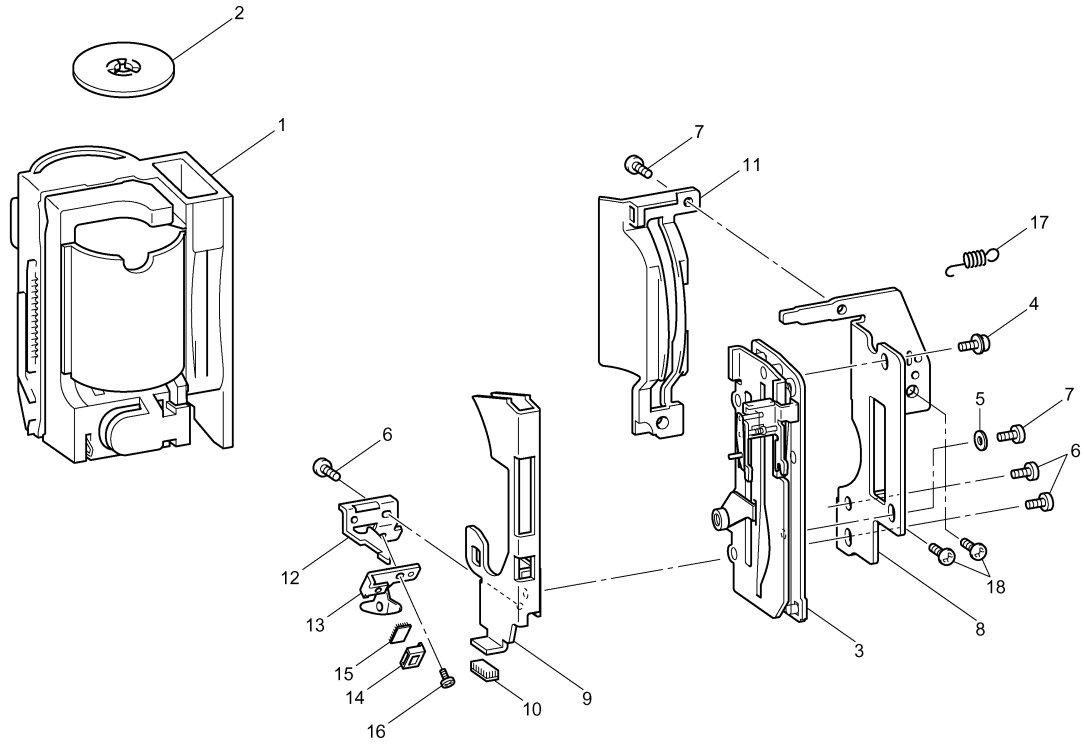


## (5) THREAD GUIDE MECHANISM

No.	CODE	NAME	REMARKS	No.	CODE	NAME	REMARKS
1	XC3605021	THREAD TENSION HOLDER ASSY		45	XC3661121	CASSETTE SWITCH HOLDER	
2	XC3610021	THREAD TENSION SHAFT		46	060260316	SCREW, BIND M2.6 × 3	
3	XC3611021	SPRING COVER SHAFT		47	XC4041021	ASSY:PFSW-S	
4	XC3612021	THREAD TAKE-UP SPRING		48	XC3662021	PRESSER SWITCH HOLDER	
5	XC3613020	THREAD TAKE-UP SPRING COVER		49	085411015	TAPTITE, BIND B M4 × 10	
6	XA0083051	TENSION DISC A		50	XC3663021	CASSETTE RELEASE BUTTON	
7	XC2626051	TENSION DISC B		51	XC3632021	SUPPORTING PLATE ASSY	
8	109763053	WASHER		52	XC3926021	LINK STOPPER	
9	XC3614021	THREAD RELEASE PLATE A		53	0A4300506	SCREW, PAN (S/P WASHER) M3 × 5	
10	XA1388051	TENSION DISC WASHER		54	026030135	WASHER, PLAIN S 3	
11	XC3615021	THREAD TENSION SPRING		55	048020346	RETAINING RING, E2	
12	XC3616021	THREAD TENSION ADJUSTING SCREW		56	XC3636021	SLIDE PLATE ASSY	
13	XC3617021	TENSION CONTROL NUT		57	XC3641021	THREAD HOOK LINK A	
14	XC3618021	LINK ARM ASSY		58	XC3642021	SPRING	
15	XC3621022	THREAD TENSION DIAL		59	XC3643021	THREAD HOOK LINK B ASSY	
16	XC3623021	THREAD TENSION DIAL SHAFT		60	XC5282021	SPRING	
17	137991051	SPRING WASHER		61	XC3525021	LINK D GUIDE	
18	025040133	WASHER, PLAIN S 4		62	060260316	SCREW, BIND M2.6 × 3	
19	048030346	RETAINING RING, E3		63	026350235	WASHER, PLAIN M 3.5	
20	XC3624021	THREAD RELEASE PLATE B		64	018300636	BOLT, SOCKET M3 × 6	
21	XC3625021	THREAD RELEASE PLATE C					
22	XC3626021	THREAD RELEASE PLATE D					
23	XC3627021	SPRING					
24	XC3522021	SPRING GUIDE ASSY					
25	060300416	SCREW, BIND M3 × 4					
26	XC3630021	THREAD SENSOR SHUTTER					
27	048040346	RETAINING RING, E4					
28	XC3816021	CASSETTE HOLD PLATE					
29	XC3817021	SPRING					
30	XC3647021	THREAD HOOK LINK C ASSY					
31	XC4036021	DAMPER HOLDER ASSY					
32	XC4039021	OIL DAMPER					
33	XC5162021	SCREW, BIND M2 × 7					
34	XC4213020	GEAR A					
35	XC4214021	DAMPER GEAR SHAFT					
36	XC4215020	GEAR B					
37	048020346	RETAINING RING, E2					
38	XC4216020	SPACER					
39	XC4040121	DAMPER HOLDER SPRING					
40	XC6055021	SCREW, BIND M3 × 3					
41	XC3651021	LED LAMP L ASSY					
42	XC3655021	LED LAMP HOLDER L					
43	XC3656021	ASSY:UP THREAD PCB					
44	XC3659021	ASSY:CASSETTE SWITCH					

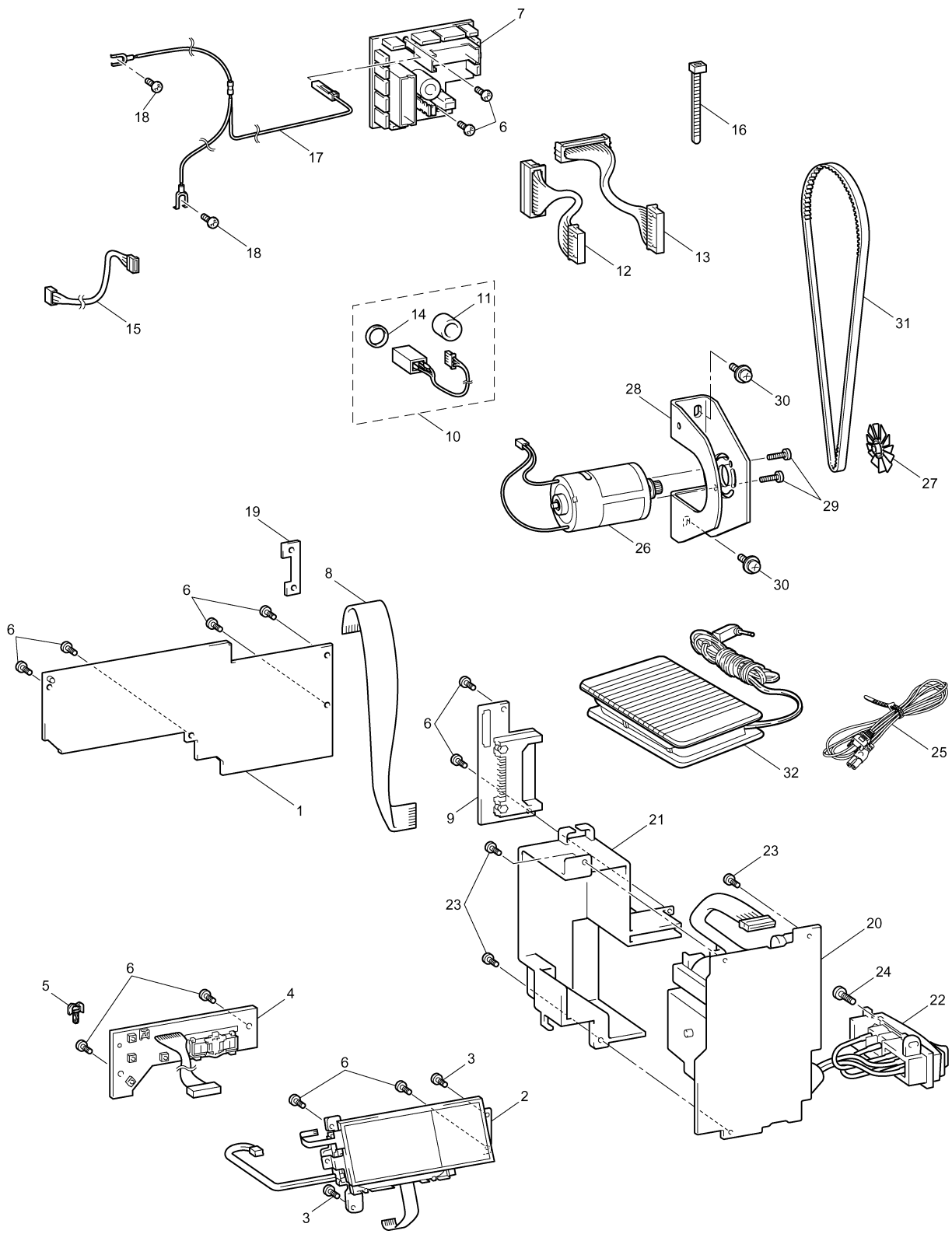






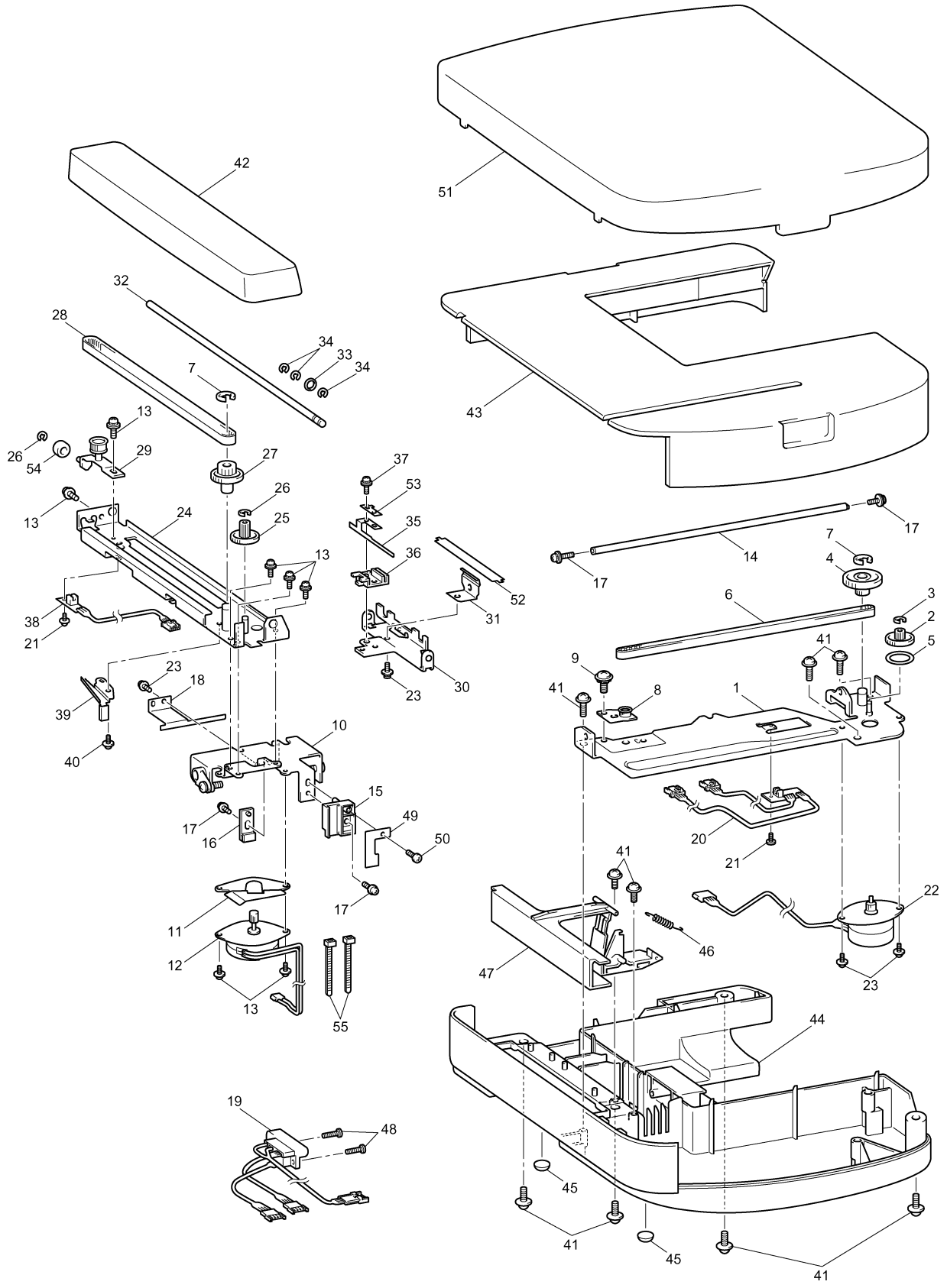
## (7) ELECTRONIC PARTS / MOTOR UNIT

No.	CODE	NAME	REMARKS
ELECTRONIC PARTS			
1	XC6332022	MAIN PCB SUPPLY ASSEMBLY	
2	XC6326023	TOUCH PANEL SUPPLY ASSY	
3	085310815	TAPTITE, BIND B M3 × 8	
4	XC6333022	SSVR PCB SUPPLY ASSEMBLY	
5	XC3751021	MINI CLAMP:UAMS-02	
6	085311015	TAPTITE, BIND B M3 × 10	
7	XC6334022	MOTOR PCB SUPPLY ASSEMBLY	
8	XC3785021	FLEXIBLE FLATCABLE:SML2CD-45AD	
9	XC6335021	CARD PCB SUPPLY ASSEMBLY	
10	XC6062021	FC JACK SUPPLY ASSY	
11	XC5409021	FERRITE CORE:F5RB140140RNB00T	
12	XC3795021	ASSY:MOTOR PCB LEAD WIRE A	
13	XC3796021	ASSY:MOTOR PCB LEAD WIRE B	
14	X51271001	NUT	
15	XC3562021	LEAD ASSY:BH CABLE-S	
16	X53169020	BAND	
17	XC4048021	ASSY:GROUND LEAD WIRE	
18	060300416	SCREW, BIND M3 × 4	
19	XC5373021	INSULATOR SHEET	
20	XC6327021	POWER PCB SUPPLY ASSY	
21	XC3787022	BREAK COVER	
22	XC4717121	ASSY:INLET UL (U.S.A., CANADA)	
	XC3788121	ASSY:INLET	
23	085311015	TAPTITE, BIND B M3 × 10	
24	XC3588051	GIZA TITE 4 × 12	
25	XC6052051	POWER SUPPLY CORD:UL CSA-LF (U.S.A., CANADA)	
	XA0070151	POWER SUPPLY CORD (Europe)	
	X59354051	POWER SUPPLY CORD -BS (U.K.)	
MOTOR UNIT			
26	XC3798021	MAIN MOTOR ASSEMBLY	
27	XC3803020	MOTOR FAN	
28	XC3804121	MOTOR HOLDER	
29	0A5301006	SCREW, PAN (S/P WASHE) M3 × 10	
30	XC3805051	GIZA TITE 5 × 16	
31	XC3806021	TIMING BELT 372-2GT-6	
32	XC1154021	CONTROLLER:FC-309-81	



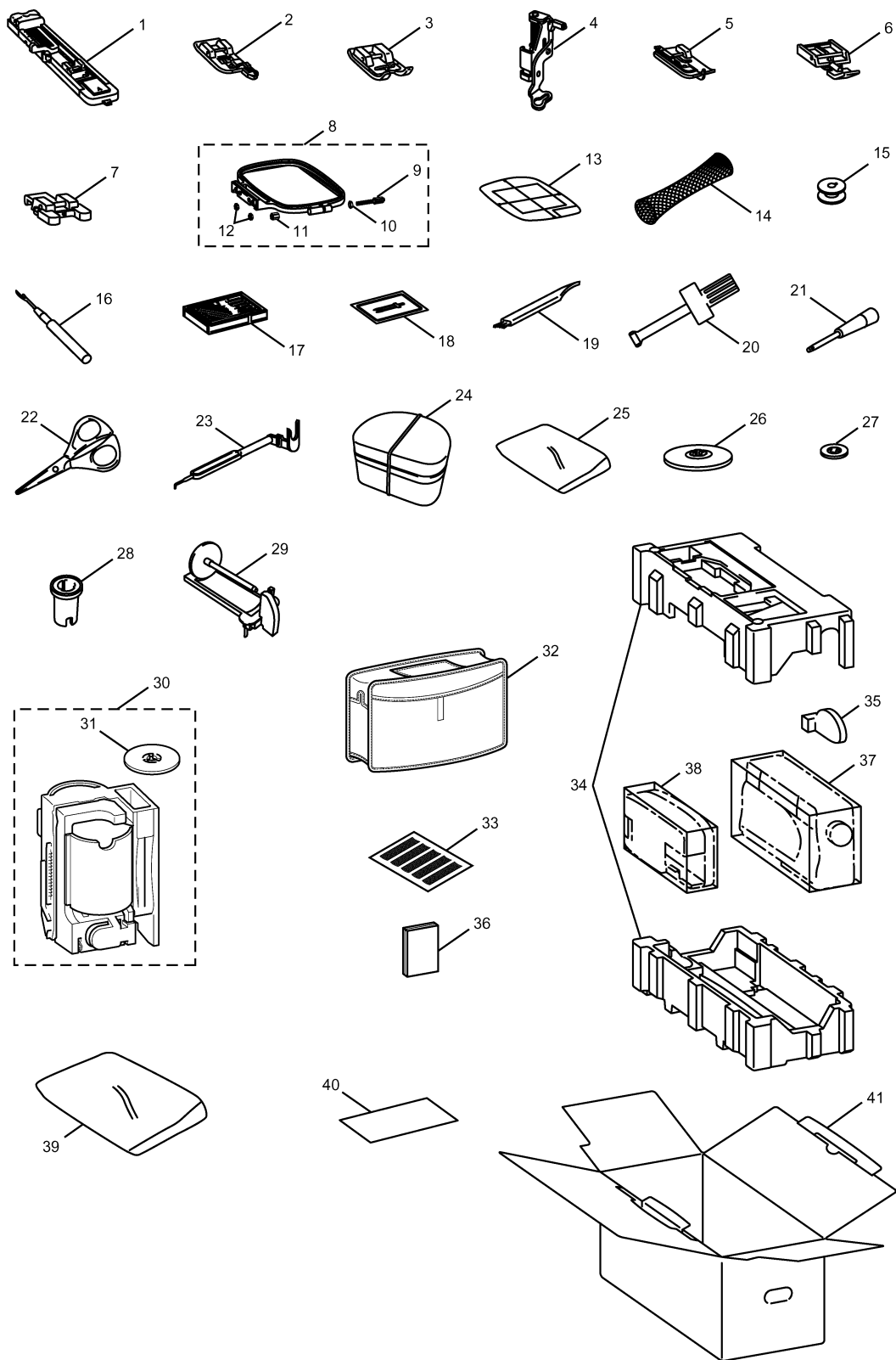
## (8) EMBROIDERY UNIT

No.	CODE	NAME	REMARKS	No.	CODE	NAME	REMARKS
1	XC3807021	MAIN FRAME ASSEMBLY		45	X59853020	RUBBER CUSHION	
2	XC4153020	X GEAR		46	XA1899021	SPRING	
3	048030346	RETAINING RING, E3		47	XC3824021	HANDLE	
4	XC4154020	X DRIVING GEAR		48	085311215	TAPTITE, BIND B M3 × 12	
5	X53330020	WASHER		49	XA5352020	CORD PRESSER	
6	X58715021	T BELT 40S2M400		50	085310815	TAPTITE, BIND B M3 × 8	
7	048060346	RETAINING RING, E6		51	XC3827023	ES UNIT COVER	
8	XA5308051	X TENSION PULLEY ASSY		52	XA6281020	Y PRESSER PLATE	
9	XA6907051	SCREW 4 × 8		53	XA6334020	SHUTTER PRESSER PLATE	
10	XC3809021	X CARRIAGE GUIDE PLATE ASSY		54	XA6152051	ROLLER ASSY	
11	XA5314050	CORD GUIDE		55	X53169020	BAND	
12	XC3811021	MOTOR,PULSE:Y SMJ35-4823-C					
13	052300606	SCREW, PAN (S/P WASHER) M3 × 6					
14	XA5316021	X GUIDE SHAFT					
15	XA5317150	X SLIDER					
16	XA5318120	X BELT PRESSER					
17	0A4400806	SCREW, PAN (S/P WASHER) M4 × 8					
18	XC5350020	X SHUTTER					
19	XC3825021	ASSY:EMB UNIT LEAD WIRE					
20	XC3812021	ASSY:X SENSOR PCB					
21	000020415	SCREW, BIND M2 × 4					
22	XC3815021	MOTOR,PULSE:X SMJ40-4888-A					
23	0A4300506	SCREW, PAN (S/P WASHER) M3 × 5					
24	XA5324121	X CARRIAGE ASSY					
25	XC4155020	Y GEAR					
26	048020346	RETAINING RING, E2					
27	XC4156020	Y DRIVING GEAR					
28	XA5330021	T BELT 40S2M316					
29	XA6151051	Y TENSION PULLEY ASSY					
30	XA5338021	Y CARRIAGE					
31	XC5287121	NOTCHED SPRING					
32	XA5340121	Y GUIDE SHAFT					
33	103810052	WASHER, WAVE SPRING					
34	048040346	RETAINING RING, E4					
35	XA5341020	Y SHUTTER					
36	XA5342120	Y SLIDER					
37	XA8390051	SCREW					
38	XC3818021	ASSY:Y SENSOR PCB					
39	XA5346050	CORD HOLDER					
40	060300416	SCREW, BIND M3 × 4					
41	087411416	TAPTITE, CUP B M4 × 14					
42	XC2133055	CARRIAGE COVER					
43	XC3821022	ES COVER-U					
44	XC3823021	ES COVER-D					



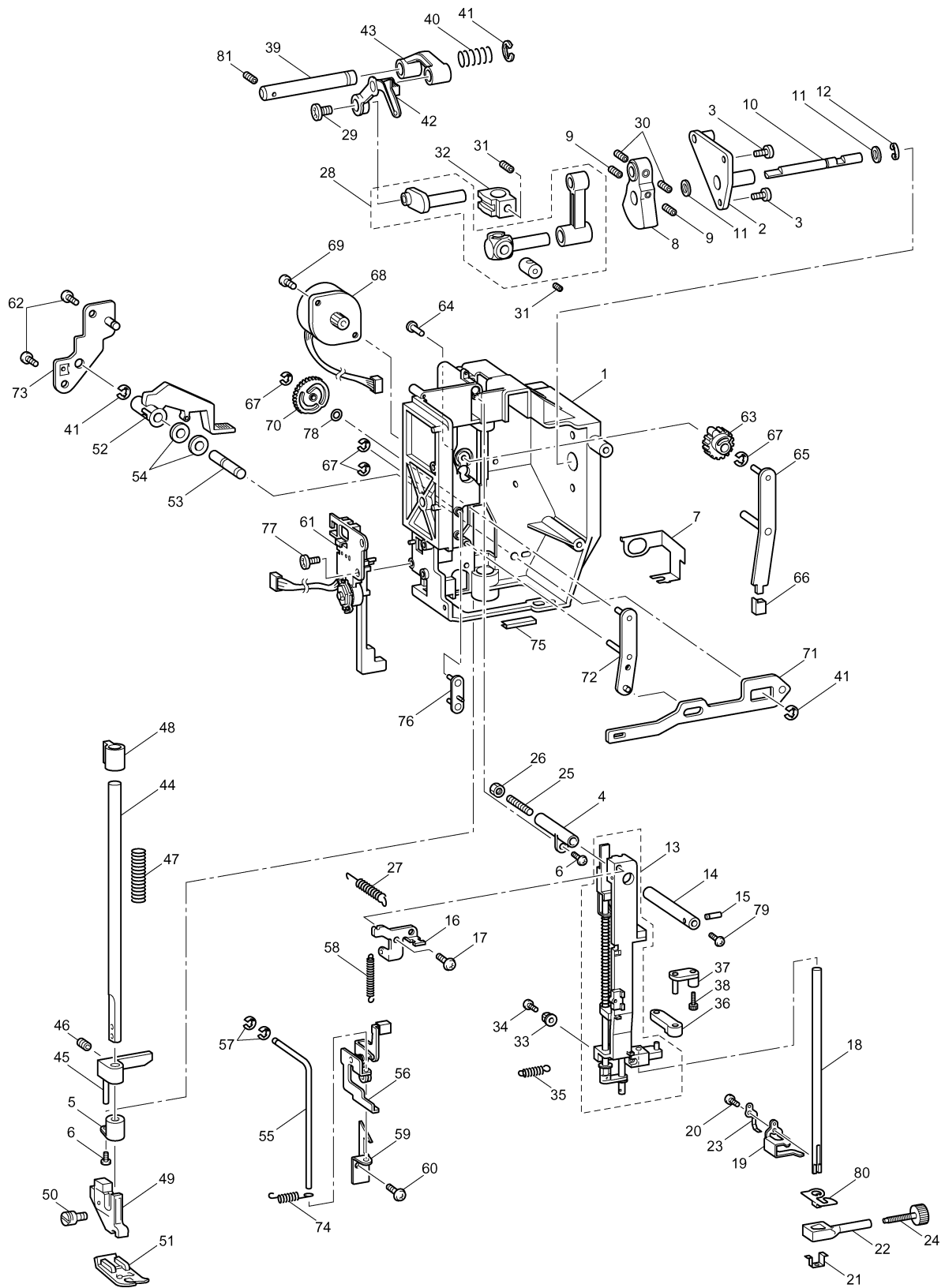
## (9) ATTACHMENTS / PACKING MATERIALS / PRINTED MATTER

No.	CODE	NAME	REMARKS	No.	CODE	NAME	REMARKS
ATTACHMENTS				PRINTED MATTER			
1	XC2691051	BH PRESSER FOOT ASSY			XC6369021	INSTRUCTION BOOK (English)	
2	XC3098051	OVERCASTING STITCH FOOT ASSY			XC6375021	QUICK REFERENCE GUIDE	
3	X53840351	TRANSPARENCY PRESSER FOOT			XC6376021	INSTRUCTION BOOK:DISNEY	
4	XC3829021	EMBROIDERY PRESSER ASSEMBLY			XC6475021	LANGUAGE SETTING SHEET	
5	XC4051051	BLIND STITCH FOOT ASSY			XC0380021	WARRANTY CARD (U.S.A.)	
6	X59370051	ZIPPER FOOT			130800021	BAG,220 × 310	
7	X59375151	BUTTON SEWING FOOT			XC6369021	INSTRUCTION BOOK (English)	
8	XA5353102	EMBROIDERY FRAME S2M			XC6371021	INSTRUCTION BOOK (French)	
9	X56373101	THUMB SCREW			XC6375021	QUICK REFERENCE GUIDE	
10	X59422001	WASHER			XC6376021	INSTRUCTION BOOK:DISNEY	
11	XA6982001	NUT			XC6475021	LANGUAGE SETTING SHEET	
12	021300106	NUT, 1 M3			181401172	INSERTION WARRANTY COUPON	
13	XA5590121	EMBROIDERY SHEET S2M ASSY			130800021	BAG,220 × 310	
14	XA5523050	NET			XC6372021	INSTRUCTION BOOK (German)	
15	X52800120	BOBBIN			XC6375021	QUICK REFERENCE GUIDE	
16	X54243001	SEAM RIPPER			XC6376021	INSTRUCTION BOOK:DISNEY	
17	X58358051	Z NEEDLE ASSY			XC6475021	LANGUAGE SETTING SHEET	
18	X59296151	TWIN NEEDLE (1PC)			UH3851001	WARRANTY CARD EUR	
19	X59476051	CLEANING BRUSH			130800021	BAG,220 × 310	
20	XC4237021	DRIVER ASSY			XC6369021	INSTRUCTION BOOK (English)	
21	135793001	PUNCH			XC6375021	QUICK REFERENCE GUIDE	
22	XC1807121	SCISSORS			XC6376021	INSTRUCTION BOOK:DISNEY	
23	XC4551020	NEEDLE EXCHANGE TOOL			XC6475021	LANGUAGE SETTING SHEET	
24	XC5370023	POUCH UNIT			UH3851001	WARRANTY CARD EUR	
25	X57367021	BAG,135 × 150			XC6402021	WARRANTY CARD (U.K.)	
26	130012054	SPOOL PRESSER A			130800021	BAG,220 × 310	
27	130013154	SPOOL PRESSER B			XC6371021	INSTRUCTION BOOK (French)	
28	XA5752021	SPOOL CAP (SMALL)			XC6373021	INSTRUCTION BOOK (Dutch)	
29	XC3834021	SPOOL STAND ASSY			XC6375021	QUICK REFERENCE GUIDE	
30	XC3664021	THREAD CASSETTE ASSY			XC6376021	INSTRUCTION BOOK:DISNEY	
31	XC3673021	SPOOL PRESSER			XC6475021	LANGUAGE SETTING SHEET	
32	XC4530023	SEWING MACHINE CASE UNIT			UH3851001	WARRANTY CARD EUR	
33	XC4549050	SA527/GS4 GRID SHEET SET			130800021	BAG,220 × 310	
PACKING MATERIALS					XC6369021	INSTRUCTION BOOK (English)	
34	XC3845021	SF ASSY S10			XC6375021	QUICK REFERENCE GUIDE	
35	XC6031021	PRESSER LEVER FIXING			XC6376021	INSTRUCTION BOOK:DISNEY	
36	XC5489021	REINFORCEMENT CARTON			XC6475021	LANGUAGE SETTING SHEET	
37	XC6999021	BAG,520 × 400			UH3851001	WARRANTY CARD EUR	
38	X60679021	BAG,450 × 400H			130800021	BAG,220 × 310	
39	XC5400021	BAG,320 × 155					
40	X57847021	PLUG LABEL (U.K.)					
41	XC6395021	CARTON ASSY (U.S.A., CANADA)					
	XC6395022	CARTON ASSY					



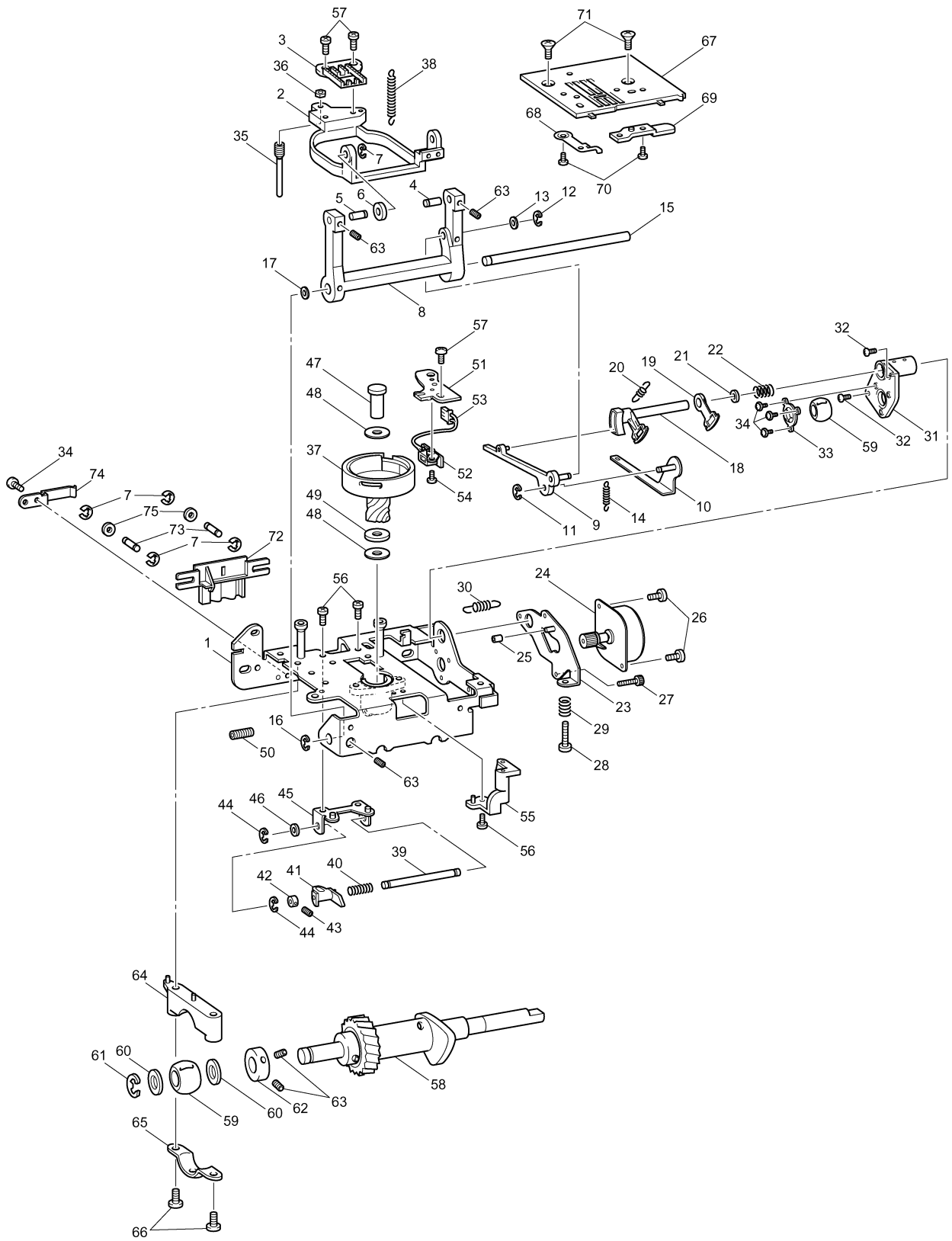
## NEEDLE-PRESSER MODULE

No.	CODE	NAME	REMARKS	No.	CODE	NAME	REMARKS
1	XC2394121	UPPER UNIT HOLDER		45	XC2445021	PRESSER BAR CLAMP ASSY	
2	XZ0177021	SHAFT BUSHING ASSEMBLY		46	014501032	SET SCREW, SOCKET (CP) M5 × 10	
3	0A5401405	SCREW, PAN (S/P WASHE) M4 × 14		47	XC2448021	SPRING	
4	XC2398020	SHAFT BUSHING A		48	XC2449021	PRESSER SPRING SUPPORTER	
5	XC2399021	PRESSER BAR BUSHING		49	XC3015051	PRESSER FEED HOLDER ASSY	
6	085310815	TAPTITE, BIND B M3 × 8		50	XA4813051	SCREW	
7	XC5362020	PLATE SPRING		51	XC3021051	Z FOOT	
8	XC2400021	THREAD TAKE-UP COUNTER WEIGHT		52	XC2451021	PRESSER FOOT LIFTER	
9	012500532	SET SCREW, SOCKET (FT) M5 × 5		53	XC2452021	PRESSER LIFT SHAFT	
10	XC2401021	UNIT SHAFT		54	XA1860120	WASHER	
11	132434050	WASHER		55	XC2453021	LEVER GUIDE SHAFT	
12	048060346	RETAINING RING, E6		56	XC3555021	LEVER AB ASSY	
13	XC3545021	NEEDLE BAR SUPPORTER ASSY		57	048020346	RETAINING RING, E2	
14	XC2419021	SHAFT		58	XC2461021	SPRING	
15	XC2420020	SHAFT		59	XC3561121	LEVER SUPPORTER PLATE	
16	XC2421121	PLATE		60	085310615	TAPTITE, BIND B M3 × 6	
17	060300516	SCREW, BIND M3 × 5		61	XC2463121	BH SWITCH ASSY	
18	XC2423021	NEEDLE BAR		62	085411015	TAPTITE, BIND B M4 × 10	
19	XC3553021	NEEDLE BAR THREAD GUIDE		63	XC2474020	Z ZIGZAG CAM	
20	X53053052	SCREW SM2.38		64	XC2475021	SHAFT	
21	XC2426020	NEEDLE THREAD PLATE		65	XC2476021	Z ZIGZAG LEVER ASSY	
22	XC3554051	NEEDLE BLOCK		66	XC2480020	Z LEVER CUP	
23	XC4162021	NEEDLE BLOCK SUPPORTER		67	048030346	RETAINING RING, E3	
24	XC4266021	NEEDLE CLAMP SCREW		68	XC2481021	MOTOR,PULSE:Z SMJ35-4840-A	
25	014401232	SET SCREW, SOCKET (FT) M4c12		69	085310815	TAPTITE, BIND B M3 × 8	
26	X56851021	LOCK NUT		70	XC2483020	T CAM	
27	XC2429021	SPRING		71	XC2491021	THREAD RELEASER ASSY	
28	XZ0152051	NEEDLE BAR CRANK ROD ASSY		72	XC2494021	THREAD RELEASE LEVER ASSY	
29	132051052	SCREW, FLAT SM3.57-40 × 7 L		73	XC2499021	ADJUSTING PLATE	
30	012500532	SET SCREW, SOCKET (FT) M5 × 5		74	XC5348021	GROUND SPRING	
31	012400432	SET SCREW, SOCKET (FT) M4 × 4		75	XC3034020	THREAD GUIDE PLATE	
32	XC2434021	NEEDLE THREAD BLOCK		76	XC3563021	LEVER RELEASE PLATE ASSY	
33	XC2435020	ZIGZAG ADJUSTING NUT		77	XZ0149051	TAPTITE,PAN B 4 × 12	
34	018301032	BOLT, SOCKET M3 × 10		78	XZ0155051	POLYESTER SLIDER	
35	XC4301021	SPRING-Z		79	000020415	SCREW, BIND M2 × 4	
36	XC2436021	NEEDLE HOLDER BROCK		80	XC5215021	SUPPORT SPRING	
37	XC2437021	SHAFT ASSY		81	014300532	SET SCREW, SOCKET (CP) M3 × 5	
38	XC3037021	SCREW3 × 10					
39	XC2440021	SHAFT			XC3544021	NEEDLE-PRESSER MODULE	
40	XC2441021	SPRING					
41	048040346	RETAINING RING, E4					
42	XC3833151	THREAD TAKE-UP LEVER ASSY					
43	XC2443020	THREAD TAKE-UP LEVER LINK					
44	XC2444021	PRESSER BAR					

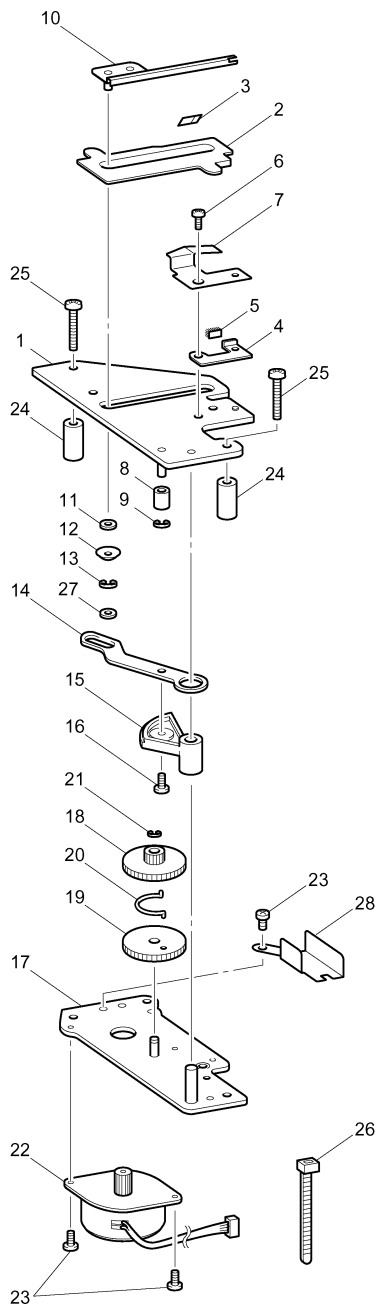


## FEED MODULE

No.	CODE	NAME	REMARKS	No.	CODE	NAME	REMARKS
1	XC3356021	FEED BASE		45	XC2553020	VERTICAL SUPPORTING PLATE	
2	XC2510021	FEED BAR		46	137713020	POLYESTER SLIDER	
3	XC5467021	FEED DOG		47	XC2230051	OUTER ROTARY HOOK SHAFT	
4	XC2512021	FEED BAR SHAFT A		48	137805052	SPACER	
5	XC2513021	FEED BAR SHAFT B		49	137976051	WASHER 6	
6	XC2514021	FEED BAR SPACER		50	014400632	SET SCREW, SOCKET (CP) M4 × 6	
7	048020346	RETAINING RING, E2		51	XC2555021	INNER ROTARY HOOK BRACKET ASSY	
8	XC2516021	FEED ARM A		52	XC3581021	PHOTO DIODE HOLDER	
9	XC2517021	FEED ARM B ASSY		53	XC3582021	ASSY:PHOTO DIODE	
10	XC2521021	FEED SUPPORTING PLATE ASSY		54	000020415	SCREW, BIND M2 × 4	
11	048020346	RETAINING RING, E2		55	XC2559021	STOPPER PLATE BLOCK ASSY	
12	048030346	RETAINING RING, E3		56	060400516	SCREW, BIND M4 × 5	
13	137999020	POLYESTER SLIDER		57	060300816	SCREW, BIND M3 × 8	
14	XZ0174021	SPRING		58	XC2562121	LOWER SHAFT B ASSY	
15	XC2525021	HORIZONTAL FEED SHAFT		59	X52664020	LOWER SHAFT BUSHING	
16	048050346	RETAINING RING, E5		60	X51383020	WASHER,THRUST	
17	X50546050	WASHER,THRUST		61	048060346	RETAINING RING, E6	
18	XC2527021	FEED ADJUSTER		62	137768121	SET SCREW COLLAR	
19	XC2529020	F GEAR		63	014400432	SET SCREW, SOCKET (CP) M4 × 4	
20	XC2530021	SPRING		64	XC2566021	BUSHING SUPPORTER A	
21	137713020	POLYESTER SLIDER		65	XC2567021	BUSHING PRESSER A	
22	XC2531021	SPRING		66	060401616	SCREW, BIND M4 × 16	
23	XC2532021	FPM HOLDER ASSY		67	XC2569051	NEEDLE PLATE A	
24	XC2534021	MOTOR,PULSE:F SMJ35-4840-C		68	XC2570021	STOPPER PLATE	
25	XC2587050	RUBBER		69	XC2571021	F GEAR STOPPER PLATE	
26	060300516	SCREW, BIND M3 × 5		70	060260316	SCREW, BIND M2.6 × 3	
27	XC3338021	SCREW3 × 8		71	X50487051	SCREW M4	
28	018402532	BOLT, SOCKET M4 × 25		72	XC3585021	DROP KNOB	
29	XC2537021	SPRING		73	XC5322021	SLIDE SHAFT	
30	XC2538021	SPRING		74	XC2574021	SPRING PLATE	
31	XC2539021	BUSHING SUPPORTER ASSY		75	026030135	WASHER, PLAIN S 3	
32	060400616	SCREW, BIND M4 × 6					
33	XC2542021	BUSHING PRESSER B			XC3578021	FEED MODULE	
34	060300516	SCREW, BIND M3 × 5					
35	XC3941051	VERTICAL ADJUSTER SCREW ASSY					
36	XC2546021	M5 NUT					
37	XC2210051	OUTER ROTALY HOOK ASSY					
38	XC2547021	SPRING					
39	XC2549021	VERTICAL FEED SHAFT					
40	XC2550021	SPRING					
41	XC2551020	VERTICAL LEVER					
42	XC2552021	SET SCREW COLLAR					
43	014400432	SET SCREW, SOCKET (CP) M4 × 4					
44	048030346	RETAINING RING, E3					







NC21-SE Model  
NV500D  
32G03HF885S15