

brother®

Home Sewing Machine

PARTS REFERENCE LIST

MODEL: NV4000D/NV4000/NV4500D

MECHANISMS & ELECTRONICS

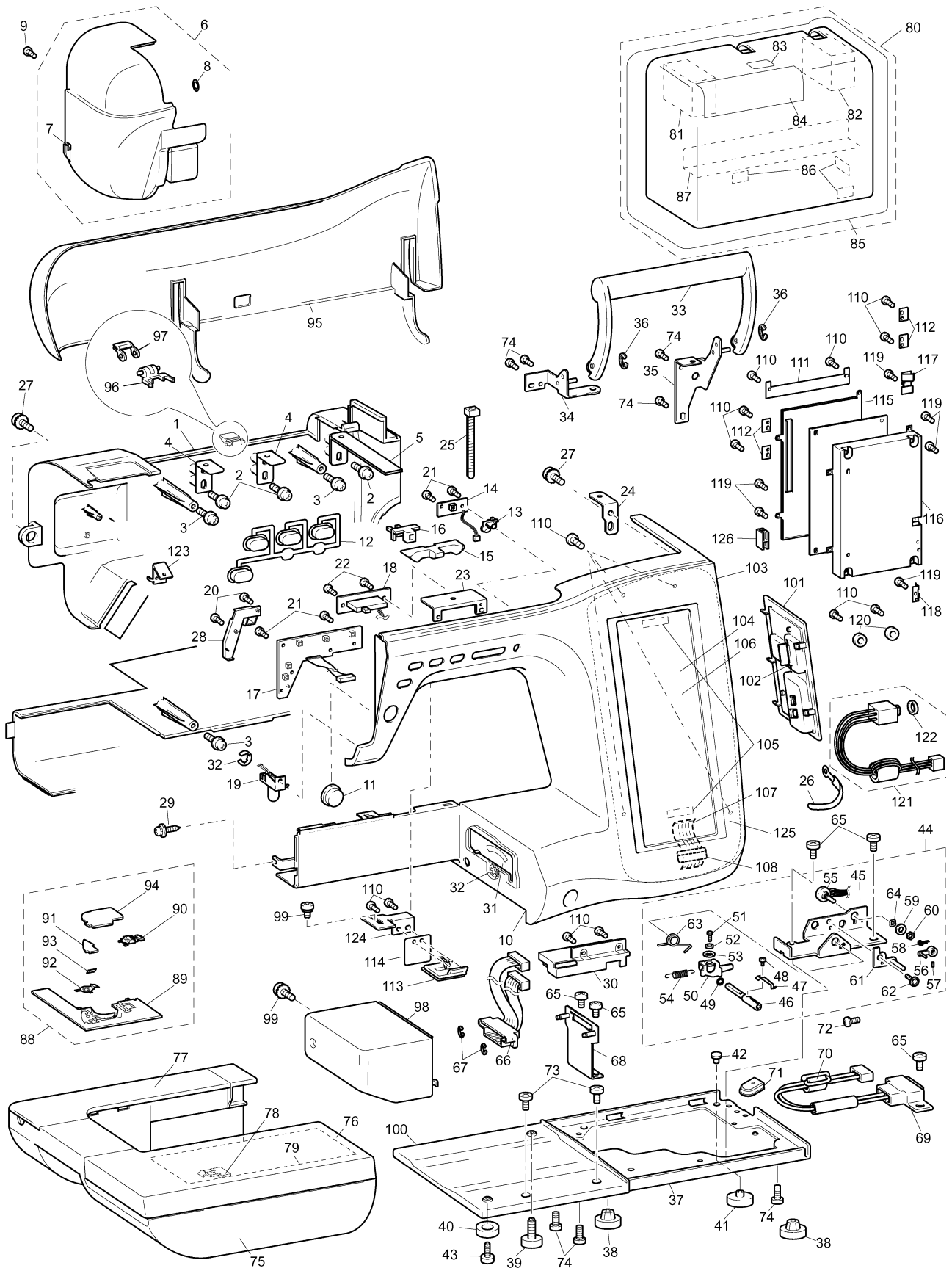
CONTENTS

(1) PRINCIPAL PARTS	2
LCD SUPPLY ASSEMBLY	6
(2) UPPER SHAFT / NEEDLE BAR, PRESSER MECHANISM	8
(3) FEED, ROTARY HOOK / SIDE FEED / THREAD CUTTING MECHANISM	10
(4) ROTARY HOOK DRIVE / BOBBIN WINDER MECHANISM	12
(5) THREAD GUIDE MECHANISM / THREAD HOOK MECHANISM	14
(6) ELECTRONIC PARTS / MOTOR UNIT	18
(7) EMBROIDERY UNIT	20
(8) ATTACHMENTS / PACKING MATERIALS / PRINTED MATTER	24
NEEDLE-PRESSER MODULE	28
FEED MODULE	32
THREAD CUTTER MODULE	36
BORDER HOOP (NV4500D)	38

(1) PRINCIPAL PARTS

No.	CODE	NAME	REMARKS	No.	CODE	NAME	REMARKS
1	XC7683051	REAR COVER		43	062500616	SCREW PAN M5X8	
	XC7683055	REAR COVER (NV4500D)	1000001701	44	XC7737051	KNEE LIFTER ASSEMBLY	
2	087411016	TAPTITE CUP B M4X10		45	XC7738051	LIFTER BASE	
3	087411416	TAPTITE CUP B M4X14		46	XC7739051	SHAFT	
4	XC7717051	PLATE A		47	XA6215251	SPRING,PLATE	
5	XC7718051	PLATE B		48	060260316	SCREW BIND M2.6X3	
6	XC7719151	FACE PLATE ASSY		49	X51383050	WASHER,THRUST	
7	X80321001	NT LOWER THREAD CUTTER		50	XC7740051	LIFTER LINK	
8	138384051	RETAINING RING,CS5		51	XA6252051	SCREW	
9	0A6401206	SCREW, PAN(T WASHER)M4X12		52	028040242	WASHER SPRING 2-4	
10	XC7685151	FRONT COVER	050237	53	026040236	WASHER PLAIN M 4	
11	XC7723051	SS BUTTON		54	XC7741051	SPRING	
12	XC7724051	BUTTON		55	XC8208051	ASSY:KNEE LIFTER SENSOR	
13	XC7726051	THREAD BUTTON		56	XA6493051	PT LEVER	
14	XC8196051	ASSY:THSW PCB D6		57	012300632	SET SCREW SOCKET (FT) M3X6	
15	XC7728051	SV KEYTOP		58	XC7742051	SPRING	
16	XC7729051	SV JOINT PLATE		59	026060235	WASHER PLAIN M 6	
17	XC8199051	ASSY:SS PCB D6		60	X52569001	NUT	
18	XC8202051	ASSY:VR PCB D6		61	XC7743051	STOPPER PLATE ASSY	
19	XC7981051	PCB UNIT:LED LAMP-D6R		62	0A5400806	SCREW PAN (S/P WASHER) M4X8	
	XE0617001	LED UNIT NEEDLE AREA D6R (NV4500D)	1000001701	63	XC8624051	KNEE LIFTER SPRING	
20	085311415	TAPTITE BIND B M3X14		64	XC8573051	WASHER,WAVE SPRING	
21	136681051	TAPTITE, BIND B M3X8		65	060400616	SCREW BIND M4X6	
22	X59629051	TAPTITE,BIND B M3X10		66	XC8210051	ASSY,MAIN BODY LEAD WIRE	
23	XC7838051	PLATE C		67	048030343	RETAINING RING E3	1000001452
24	XC7839051	PLATE D		68	XC7746051	CONNECTOR HOLDER ASSY	
25	X53169050	BAND		69	XC7632051	INLET ASSY:D6 US (U.S.A., CANADA)	
26	137947001	CLIP			XC8419051	INLET ASSY:D6 EU (OTHER)	
27	087411016	TAPTITE CUP B M4X10		70	XC8902051	FERRITE CORE:E04SR200935A (U.S.A., CANADA)	
28	XC8680050	S HOLDER		71	XE1830001	SAFETY COVER	060198
29	XC4433051	SCREW,PAN(T WASHER)M3X6		72	060300616	SCREW BIND M3X6	
30	XC8478250	INVERTER COVER		73	060400616	SCREW BIND M4X6	
31	XA9400151	CONNECT COVER		74	X57908051	TAPTITE,BIND S M4X10	
32	146200051	RETAINING RING, CS4		75	XC7687051	ACCESSORY TABLE	
33	XC7686051	HANDLE		76	XD0698051	ACC TABLE F COVER SUPPLY ASSY	
34	XC7731051	HANDLE HOLDER L ASSY		77	XC7689051	ACCESSORY TABLE REAR COVER	
35	XC7733051	HANDLE HOLDER R ASSY		78	138644051	NOTCHED SPRING	
36	048040343	RETAINING RING E4	1000001452	79	XC8155151	SPONGE	
37	XC7736051	BASE PLATE		80	XD1551051	CASE ASSEMBLY	050290
38	XA1805051	BASE RUBBER A		81	XC8184150	UNDER CASE POLYSTYRENE L	
39	XA4687051	ADJUSTING SCREW ASSY		82	XC8183150	UNDER CASE POLYSTYRENE R	
40	XA4689051	BASE PLATE RUBBER		83	XA3028052	DECORATION PLATE	
41	XA9386051	BASE PLATE RUBBER		84	XC8378051	CASE COVER	
42	XA9387050	BASE PLATE RUBBER					

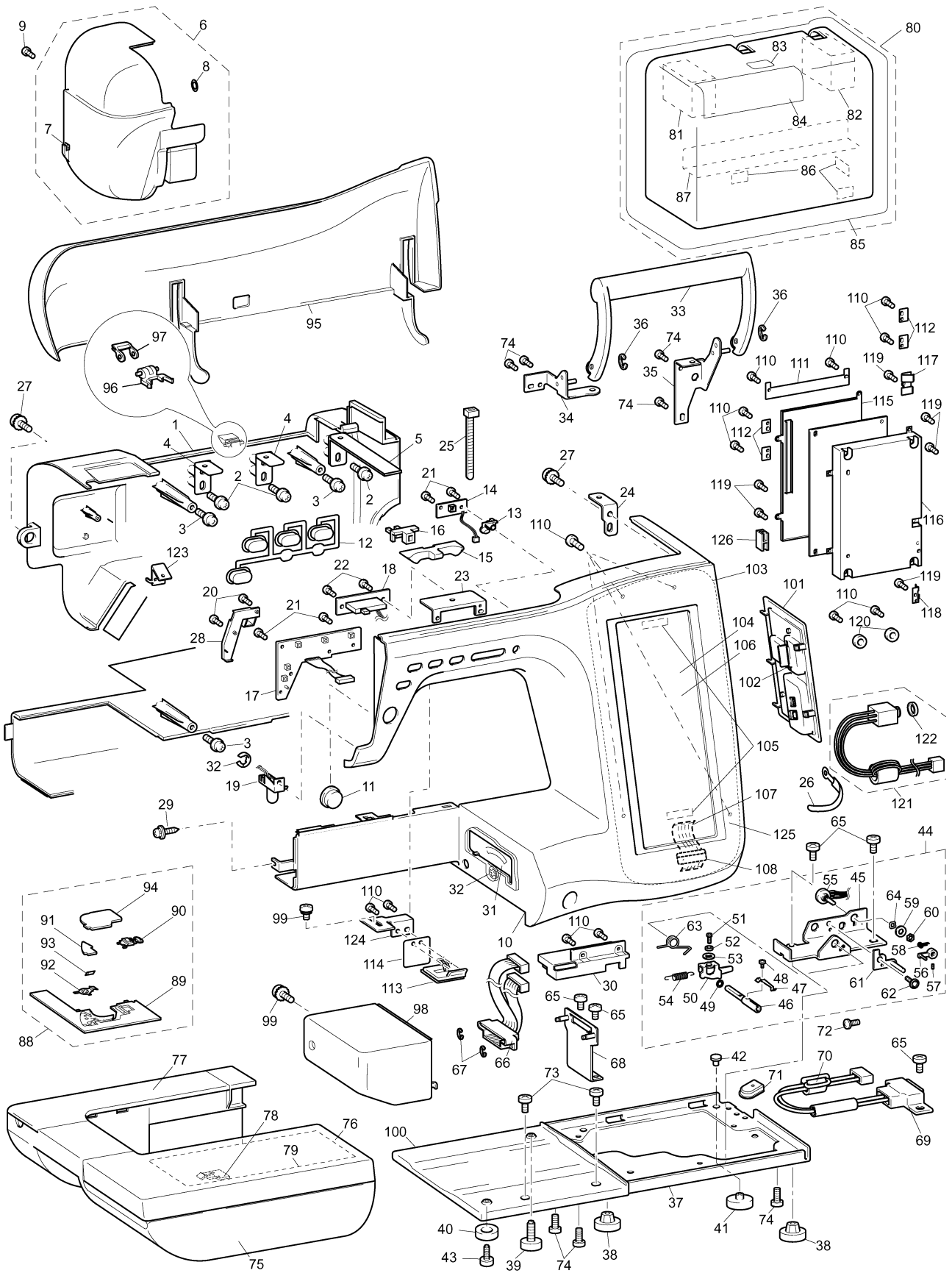
(1) PRINCIPAL PARTS



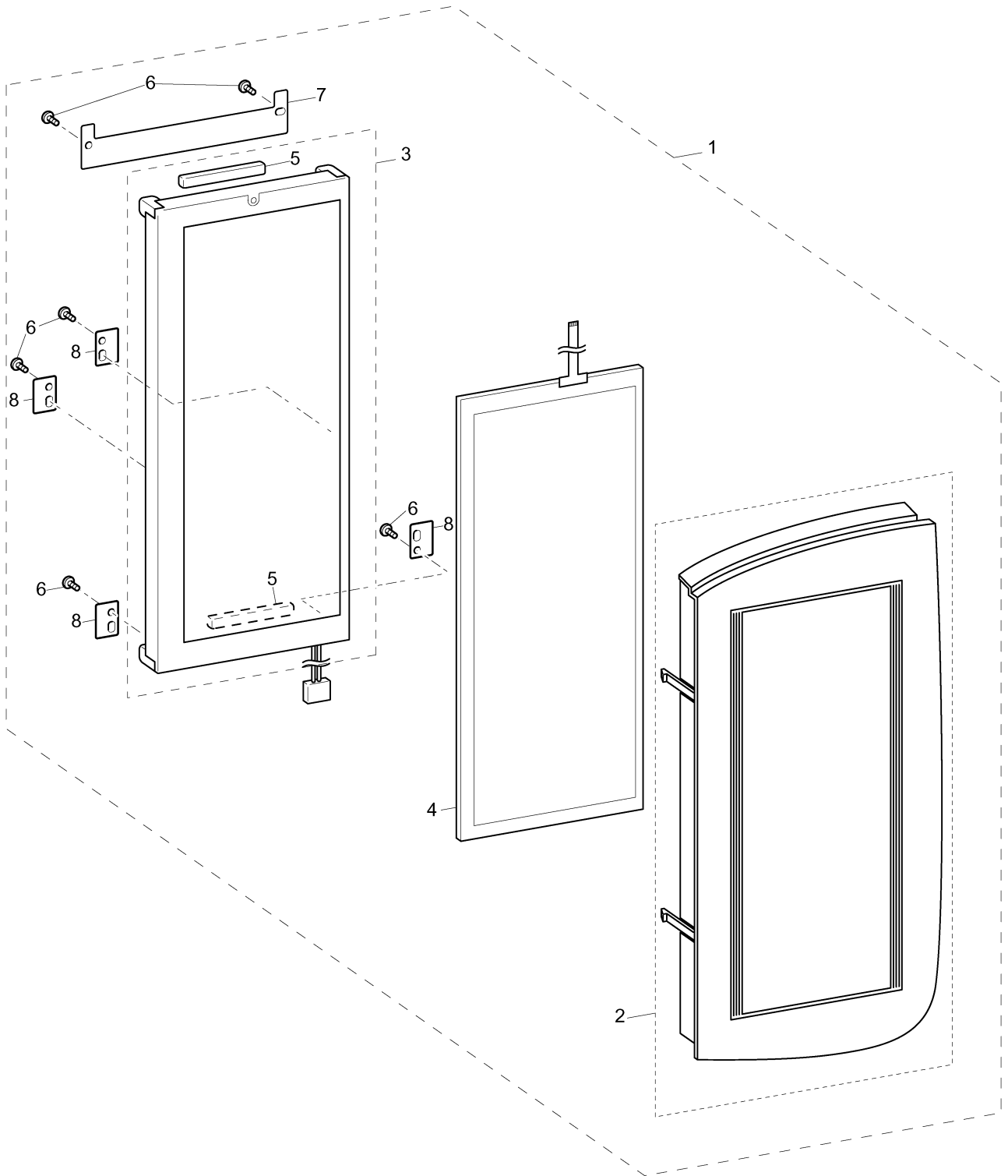
(1) PRINCIPAL PARTS

No.	CODE	NAME	REMARKS	No.	CODE	NAME	REMARKS
85	XC8613051	BAG.900X600H		122	XD1973001	NUT F	050333
86	125440050	CASE FELT		123	XC8430051	ADJUST PLATE A	
87	XC7253051	SHEET FOR D6 HARDCASE		124	XC8431051	ADJUST PLATE B	
88	XC2364052	NEEDLE PLATE B ASSY		125	XC9233051	BADGE ASSEMBLY (NV4000D)	
89	XC2365052	NEEDLE PLATE B			XE2788001	BADGE ASSEMBLY (NV4500D)	1000001701
90	XC2366152	SLIDE BUTTON			XC7694053	LCD HOLDER (NV4000)	
91	XD1666052	CUTTER COVER	050250	126	XD0976050	PCB HOLDER	050200
92	XD1461051	NEEDLE PLATE COVER SPRING	050272				
93	X80321001	NT LOWER THREAD CUTTER					
94	XD1645051	NEEDLE PLATE COVER SUPPLY ASSY	050259				
95	XC7690053	TOP COVER					
96	XZ0391051	UPPER COVER HOLDER					
97	XC3286001	UPPER COVER HINGE OEM					
98	XC7691051	FREE ARM COVER					
99	0A6400806	SCREW PAN (T WASHER) M4X8					
100	XC7692051	BASE PLATE COVER					
101	XC7693451	CARD PCB COVER	060118				
102	XC7756051	PEN HOLDER					
103	XC8669251	LCD MODULE SUPPLY ASSY (NV4000D: U.S.A.)					
	XC8684151	LCD MODULE SUPPLY ASSY (NV4000D: OTHER)					
	XE2813001	LCD MODULE SUPPLY ASSY (NV4500D)	1000001701				
	Including #104, 105, 106, 109, 111, 112, 125, 126						
			See Next				
104	XC8211051	TOUCH PANEL D6					
105	XA6039051	FRONT COVER SPACER B					
106	XC8891151	LCD SUPPLY ASSY (U.S.A.)					
	XC8892151	LCD SUPPLY ASSY (OTHER)					
107	XD1115051	FFC:SML2CD-20X70					
108	XC8660051	FERRITE CORE:FS18X12X5					
109	136681051	TAPTITE, BIND B M3X8	DEL 050340				
110	X59629051	TAPTITE,BIND B M3X10					
111	XC7840051	LCD PRESSER A					
112	XC7850051	LCD PRESSER B					
113	XD0504051	LED LAMP UNIT WORK AREA D6					
114	XC7759051	INSULATION SHEET					
115	XC7761051	BOARD CASE UPPER					
116	XC7762051	BOARD CASE LOW					
117	XC8533051	GROUND PLATE UPPER					
118	XC8534051	GROUND PLATE LOW					
119	060300516	SCREW BIND M3X5					
120	XC4543021	BOARD PRESSER	060193				
121	XC8668051	FC JACK SUPPLY ASSY					

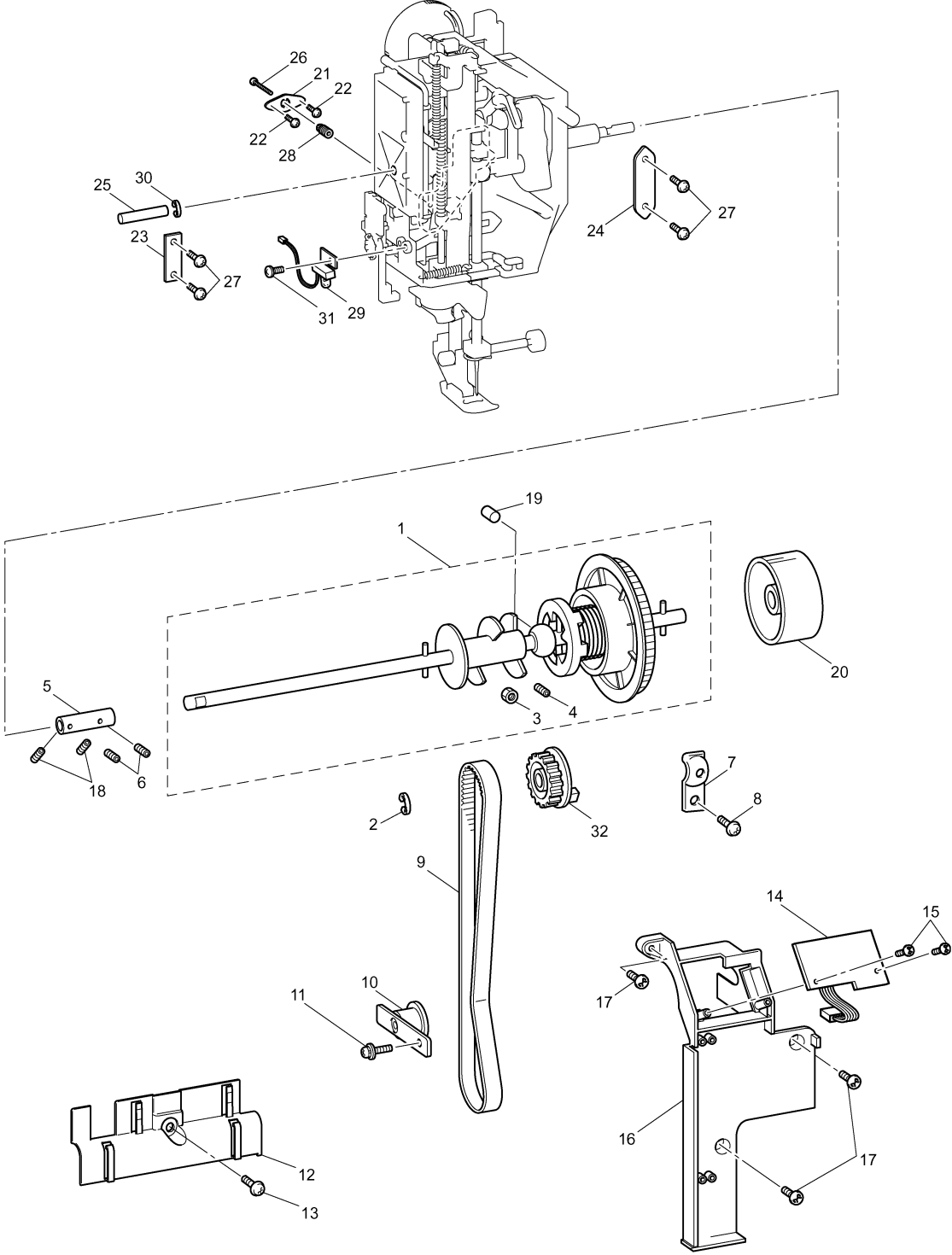
(1) PRINCIPAL PARTS



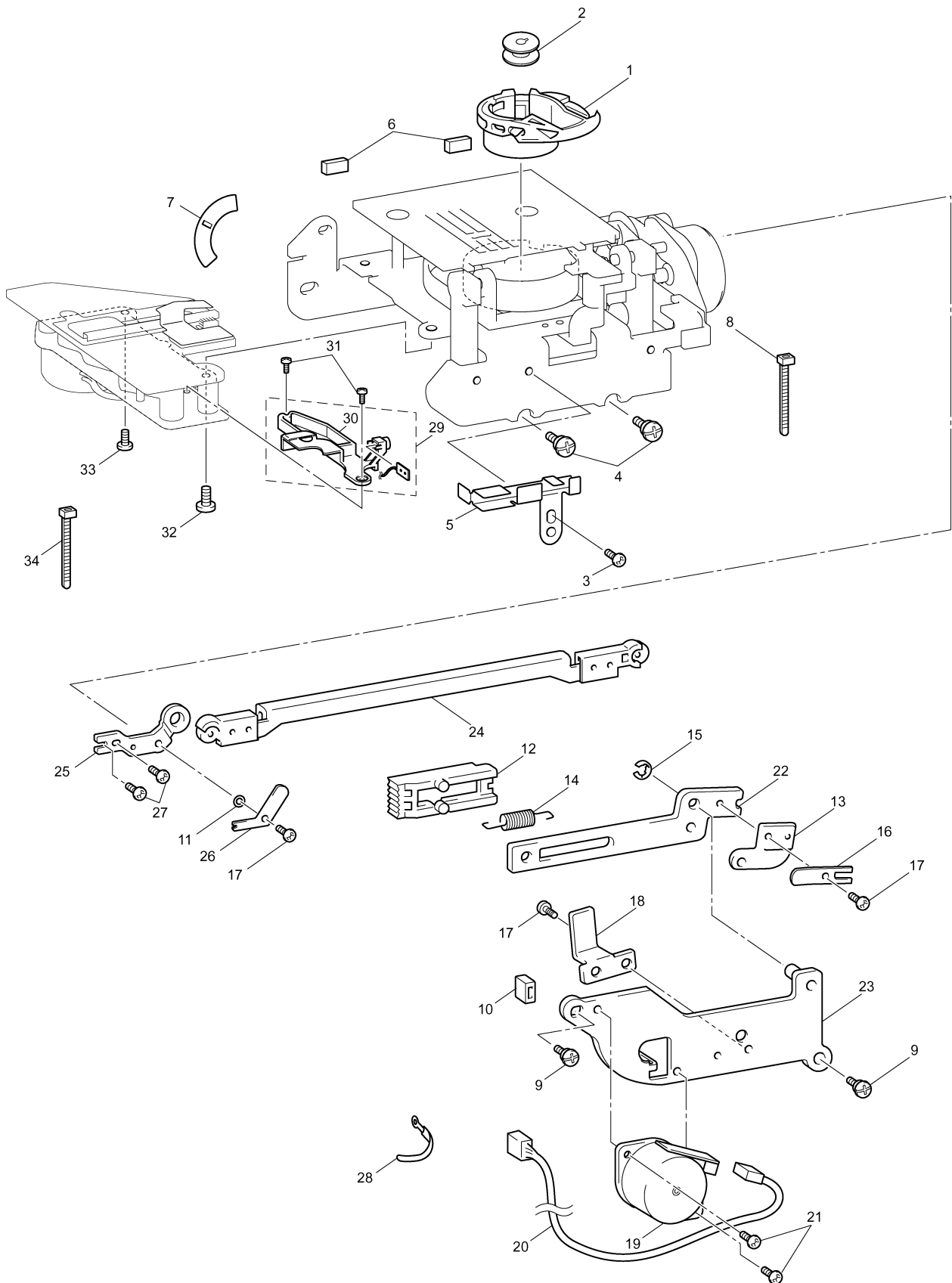
LCD SUPPLY ASSEMBLY



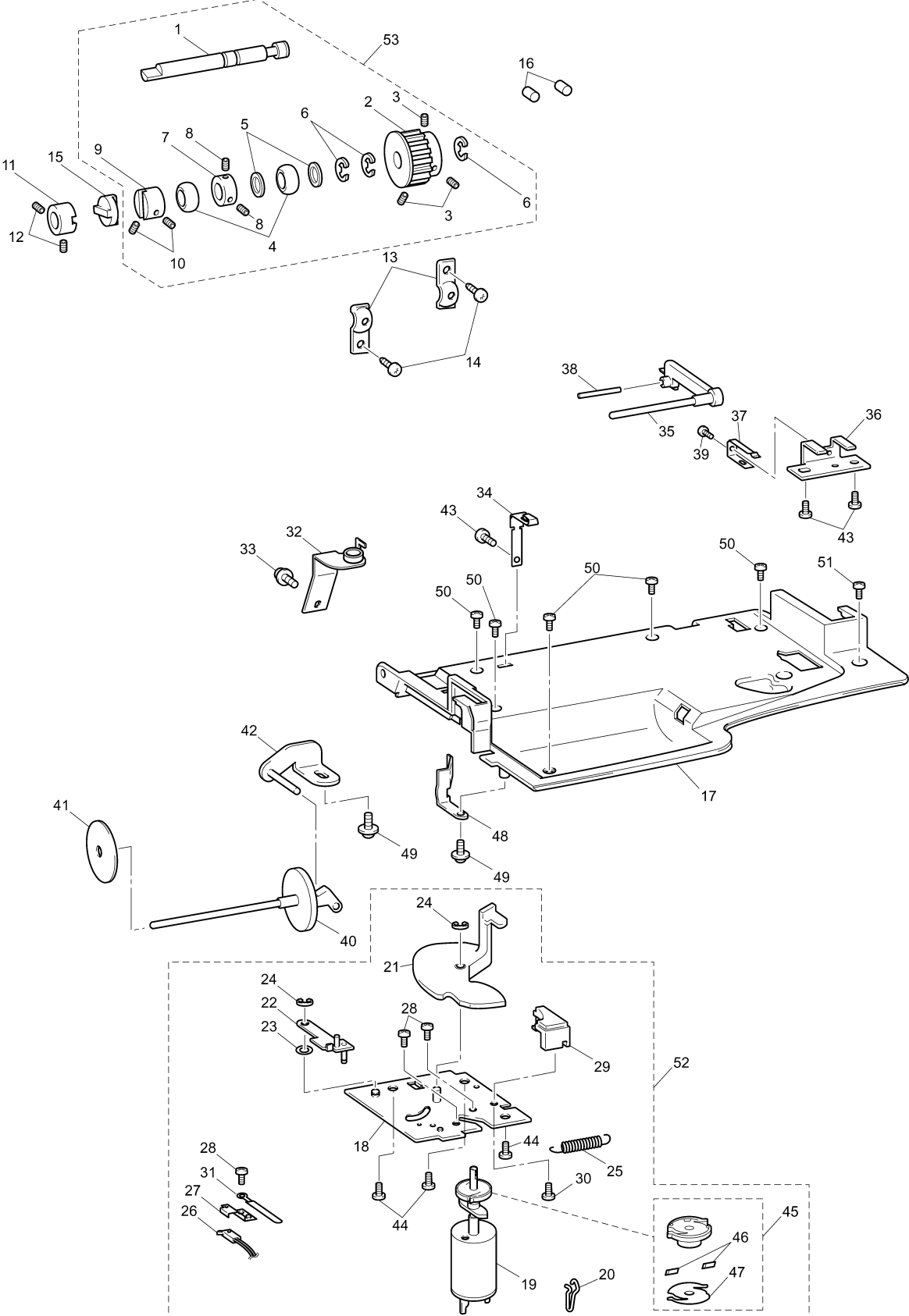
(2) UPPER SHAFT / NEEDLE BAR, PRESSER MECHANISM



(3) FEED, ROTARY HOOK / SIDE FEED / THREAD CUTTING MECHANISM



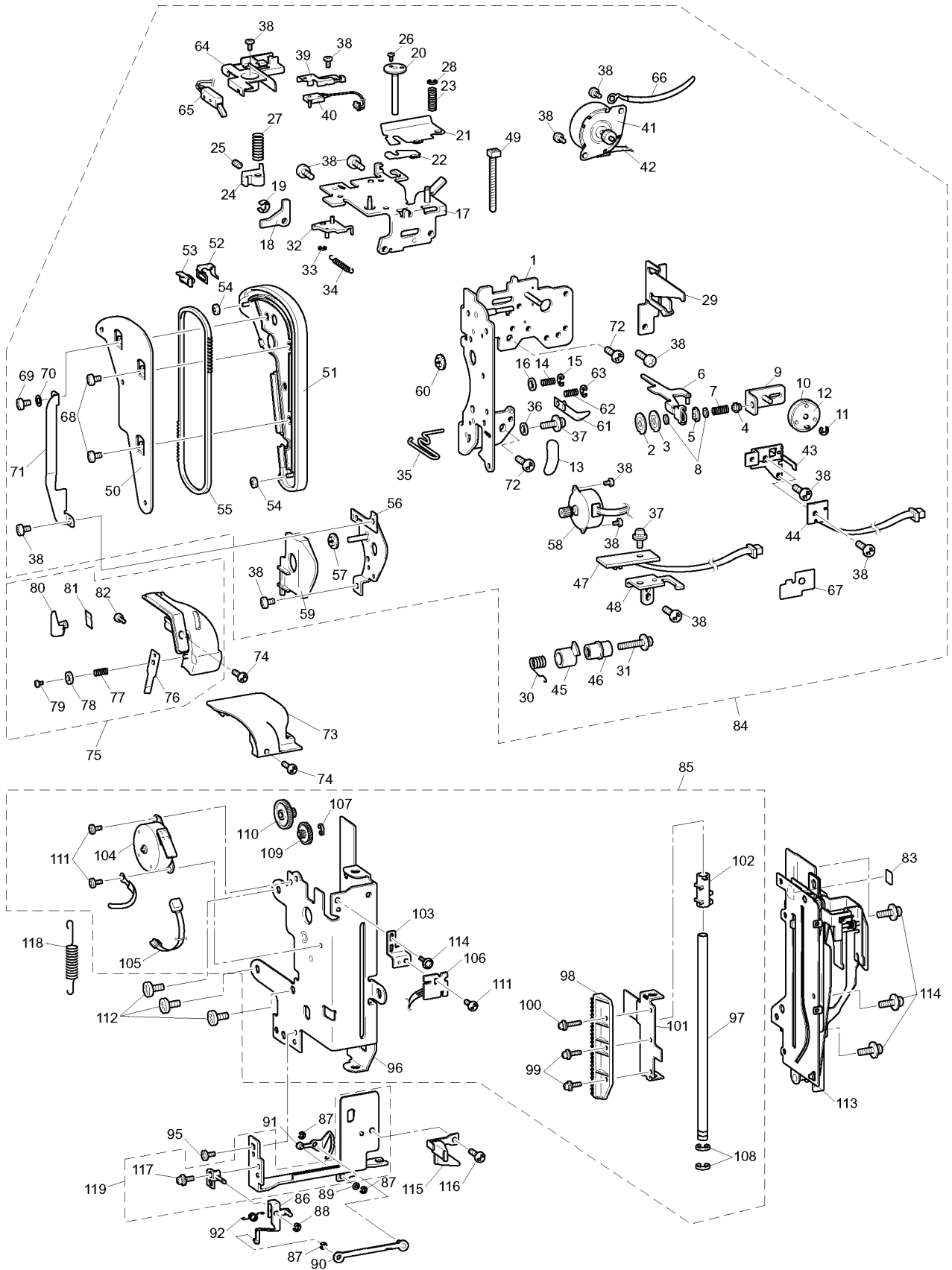
(4) ROTARY HOOK DRIVE / BOBBIN WINDER MECHANISM



(5) THREAD GUIDE MECHANISM / THREAD HOOK MECHANISM

No.	CODE	NAME	REMARKS	No.	CODE	NAME	REMARKS
THREAD GUIDE MECHANISM				44	XC8260051	ASSY:AT INIT PCB	
1	XC7917151	THREAD GUARD ASSEMBLY		45	X58316051	THREAD CUTTING SHUTTER	
2	XA0083051	TENSION DISC A		46	XA9585151	THREAD CATCHING SPRING CASE	
3	XC2626051	TENSION DISC B		47	XC8262051	ASSY:UPTHREAD PCB	
4	XC3437051	TENSION ADJUSTING SCREW		48	XC7934051	THREAD SENSOR HOLDER	
5	XA1388051	TENSION DISC WASHER		49	X53169050	BAND	
6	XC7920051	TENSION RELEASE PLATE ASSY		50	XC7941051	THREAD GUIDE BASE	
7	XA9900051	THREAD TENSIONSFRING		51	XC7942051	BELT GUIDE	
8	XD0573051	WASHER		52	XC7943051	THREAD HOOK	
9	XA9562051	TENSION PLATE ASSY		53	XC7944050	THREAD HOOK SLIDER	
10	XC7922050	THREAD TENSION CAM		54	XC7945050	ROLLER	
11	048030343	RETAINING RING E3	1000001452	55	XC7948051	BELT 20S2M264	
12	XC7923051	THREAD TENSION GEAR COVER		56	XC7949051	TGPM HOLDER SUB ASSY	
13	XA9935050	SPRING TAPE		57	XC7952050	IDLE GEAR	
14	X57605051	SPRING		58	XC8267051	ASSY:TG PULSE MOTOR	
15	048020343	RETAINING RING E2	1000001452	59	XC7954050	TGPM COVER	
16	026030136	WASHER PLAIN S 3		60	XC7955050	DRIVING PULLEY	
17	XC7925051	TENSION RELEASE HOLDER ASSY		61	XC8572050	BRAKE PLATE	
18	XA9571051	TENSION RELEASER LINK		62	X57605051	SPRING	
19	048030343	RETAINING RING E3	1000001452	63	048020343	RETAINING RING E2	1000001452
20	XC2638151	TENSION PRESSURE ASSY	050279	64	XC7947050	INITIAL SW HOLDER	
21	XC9115151	TENSION PLATE	060140	65	XC8265051	ASSY:TGSW D6	
22	XC7927151	SPACER	060140	66	137947001	CLIP	
23	XA9577051	SPRING		67	XC9271051	INSULATION SHEET FOR TGPM	
24	XC2640051	TENSION RELEASE CAM		68	060300516	SCREW BIND M3X5	
25	012300432	SET SCREW SOCKET (FT) M3X4		69	060300616	SCREW BIND M3X6	
26	X57363051	POWER LOCK 2X3		70	026030136	WASHER PLAIN S 3	
27	X57605051	SPRING		71	XD0707050	GUARD PLATE	
28	048020343	RETAINING RING E2	1000001452	72	085411015	TAPTITE BIND B M4X10	
29	XC7928051	THREAD GUIDE		73	XC7936153	FRONT THREAD GUARD COVER	
30	XZ0386051	THREAD TAKE UP SPRING		74	0A5300606	SCREW, PAN (S/P WASHER) M3X6	
31	0A4301806	SCREW, PAN (S/P WASHER) M3X18		75	XC8412151	THREAD GUIDE COVER A ASSY	
32	XC7929050	PRESSER SW LINK		76	XC8414051	THREAD HOLD PLATE	
33	048030343	RETAINING RING E3	1000001452	77	XC8935051	SPRING, COMPRESSION	
34	XC7930051	SPRING		78	XC8949051	WASHER 2.1X8	
35	XC7931050	THREAD GUIDE WIRE		79	083210615	TAPTITE PAN B M2X6	
36	XA9996051	WASHER,PLAIN		80	XC8411051	CUTTER HOLDER	
37	XC7564051	SCREW, PAN(S/P WASHER)M3X6		81	X80321001	NT LOWER THREAD CUTTER	
38	060300416	SCREW BIND M3X4		82	085310616	TAPTITE BIND B M3X6	
39	XC7932051	PRESSER SWITCH HOLDER		83	XC8574151	PILE	
40	XC8256051	ASSY:PFSW D6		84	XD1019151	THREAD UNIT D6 SUPPLY ASSY (U.S.A., CANADA)	060140
41	XD0804051	ATPM INSULATION ASSY			XD1019152	THREAD UNIT D6 SUPPLY ASSY (OTHER)	060140
42	XC8259051	ASSY:ATPM LEAD WIRE					
43	XC7933051	ATPM SENSOR PLATE					

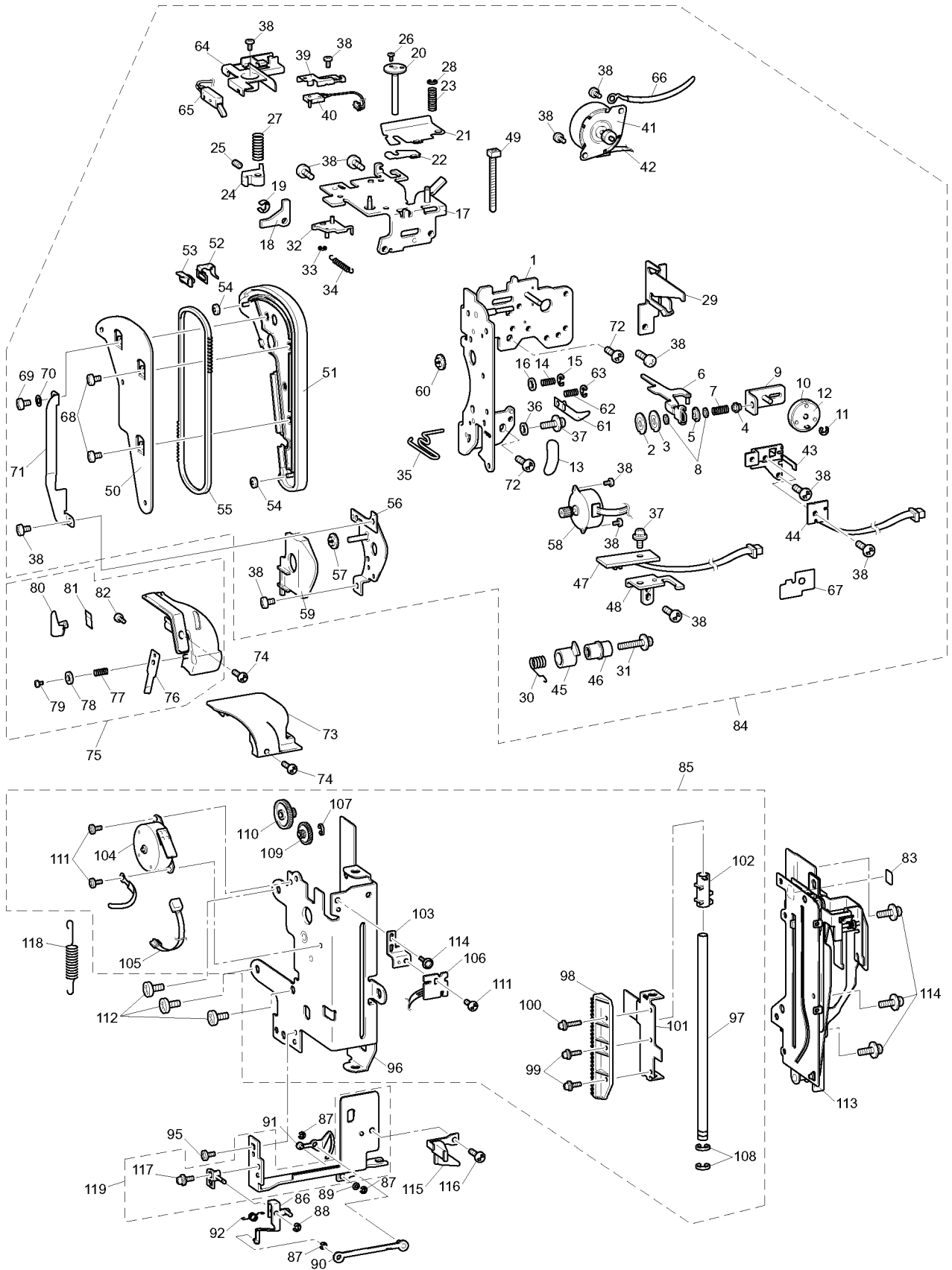
(5) THREAD GUIDE MECHANISM / THREAD HOOK MECHANISM



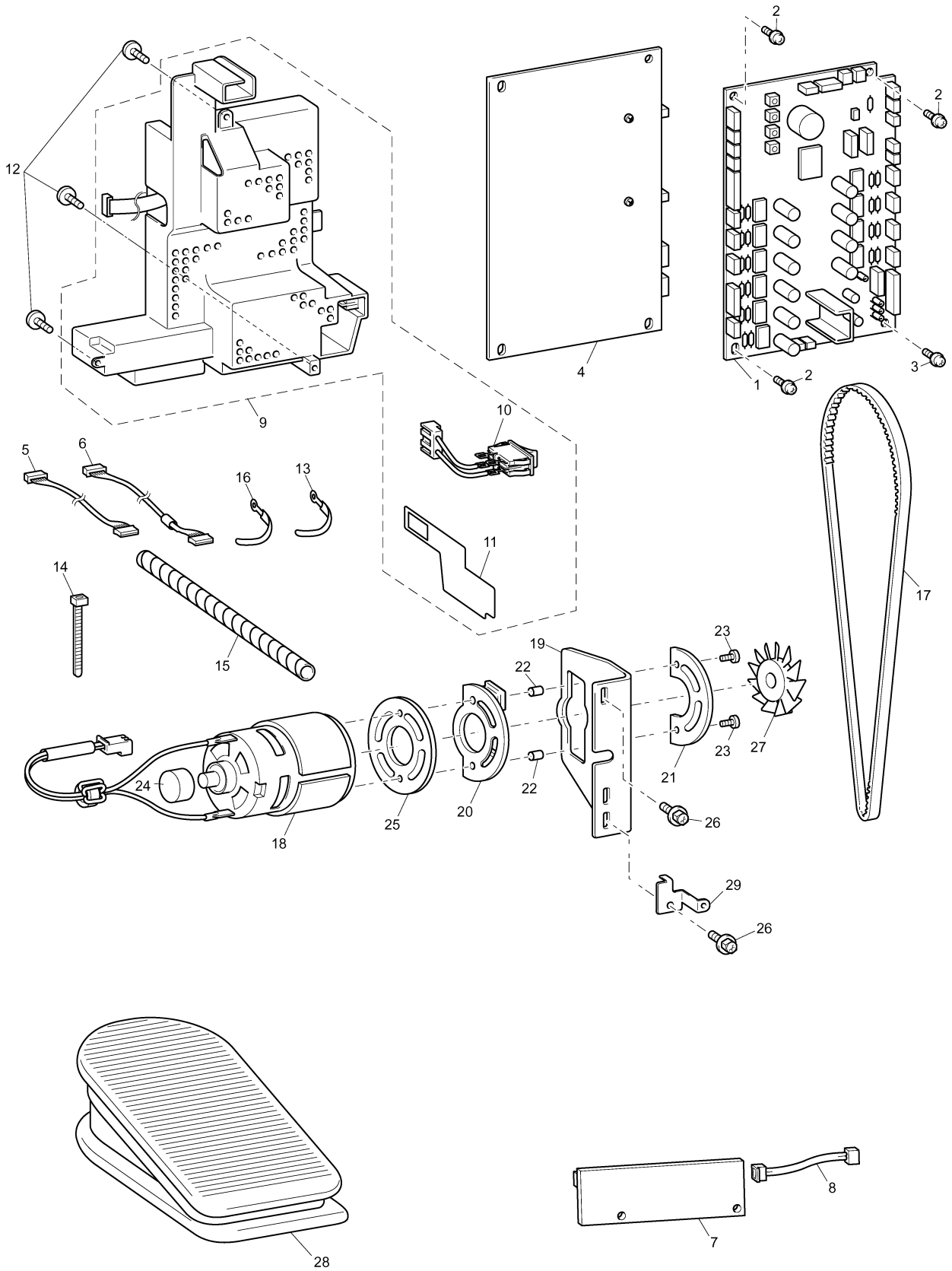
(5) THREAD GUIDE MECHANISM / THREAD HOOK MECHANISM

No.	CODE	NAME	REMARKS
85	XD1021051	THREAD DRIVE UNIT SUPPLY ASSY (U.S.A., CANADA)	
	XD1021052	THREAD DRIVE UNIT SUPPLY ASSY (OTHER)	
THREAD HOOK MECHANISM			
86	XC7958051	LINK PLATE A ASSY	
87	048020343	RETAINING RING E2	1000001452
88	048030343	RETAINING RING E3	1000001452
89	XZ0399051	WASHER	
90	XC7962051	LINK PLATE B ASSY	
91	XC7964051	THREAD GUIDE PLATE ASSY	
92	XC7966051	SPRING	
93	XC7967051	THREAD GUIDE BASE PLATE	DEL 050241
94	XC7968051	LINK A BASE ASSY	DEL 050241
95	060300616	SCREW BIND M3X6	
96	XC7972051	UNIT ASSY	
97	XC7976051	GUIDE SHAFT	
98	XC7977050	RACK	
99	0A4300806	SCREW PAN (S/P WASHER) M3X8	
100	0A4301206	SCREW PAN (S/P WASHER) M3X12	
101	XC7978051	SLIDER	
102	XC7979050	TRIGGER	
103	XC7980051	SENSOR HOLDER	
104	XC9289051	THPM INSULATION ASSY	
105	XC8268051	ASSY:THPM LEAD WIRE	
106	XC8269051	ASSY:ATTHD INIT PCB	
107	048025343	RETAINING RING E2.5	1000001452
108	048030343	RETAINING RING E3	1000001452
109	XC7982050	IDLE GEAR A	
110	XC7983050	DRIVE GEAR A	
111	060300416	SCREW BIND M3X4	
112	085411015	TAPTITE BIND B M4X10	
113	XC9250151	THREAD GUIDE BASE SUPPLY ASSY	
114	XC7644051	SCREW, PAN (S/P WASHER) M3X5	
115	XC8609251	PILE HOLDER ASSY	060057
116	008300404	SCREW TRUSS M3X4	
117	0A4300605	SCREW, PAN (S/P WASHER) M3X6	060213
118	X52005151	SPRING	
119	XD1573151	THREAD GUIDE BASE SUPPLY ASSY	060213

(5) THREAD GUIDE MECHANISM / THREAD HOOK MECHANISM



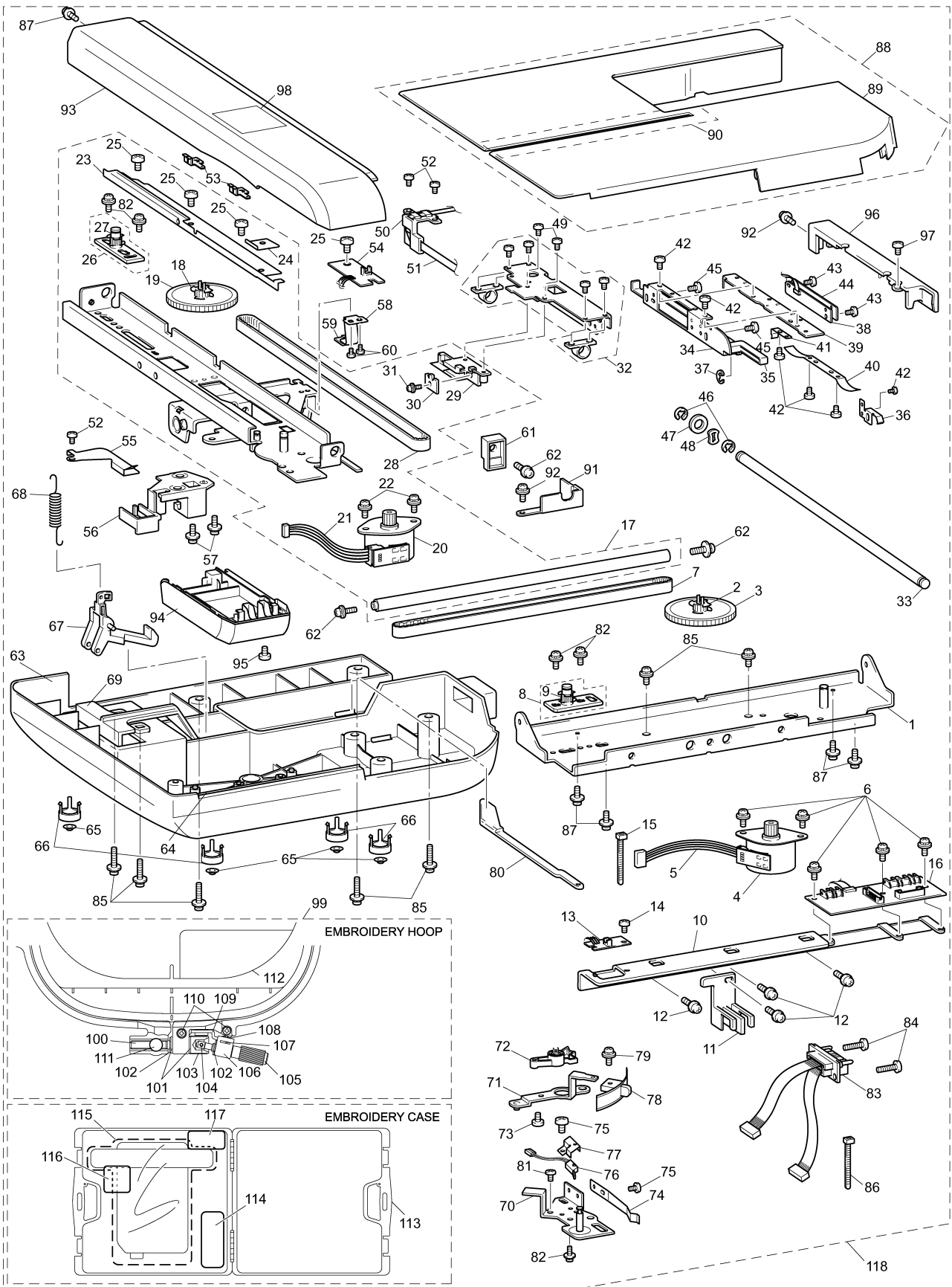
(6) ELECTRONIC PARTS / MOTOR UNIT



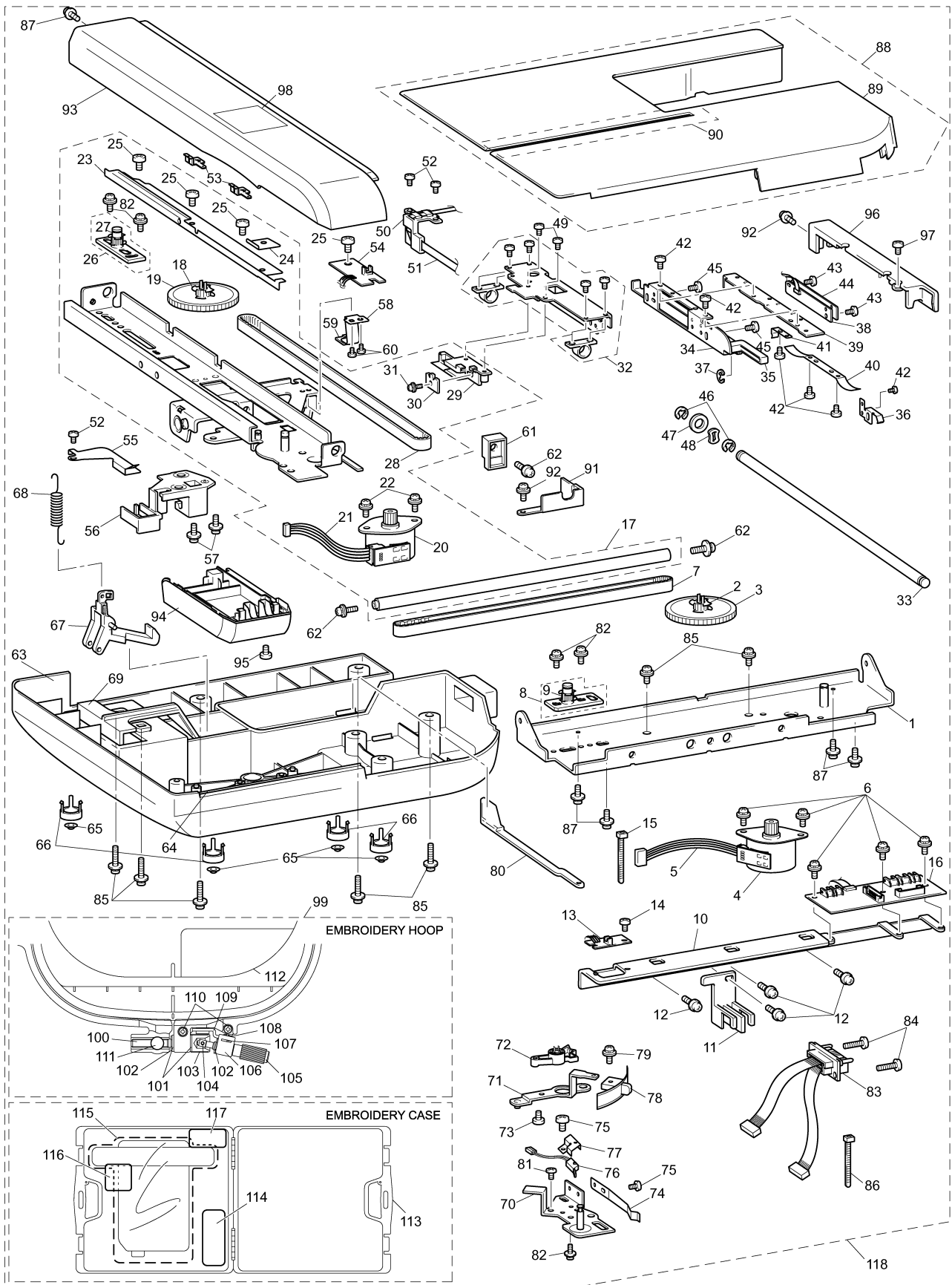
(7) EMBROIDERY UNIT

No.	CODE	NAME	REMARKS	No.	CODE	NAME	REMARKS
1	XC8035051	MAIN FRAME SUB ASSY		45	060400616	SCREW BIND M4X6	
2	XC8038050	DRIVING PULLEY		46	XC8080051	STOP RING 10.69	
3	XC8039050	DRIVING GEAR		47	XC8081051	WASHER	
4	XC8298051	ASSY:XY PULSE MOTOR		48	XC8082050	WASHER,SPRING 12	
5	XC8299051	ASSY:XPM LEAD WIRE		49	085301017	TAPTITE BIND P M3X10	
6	XA8390051	SCREW		50	XC8084050	FFC SUPPORT	
7	XC8041051	TIMING BELT 40S2M530		51	XC8310051	FLEXIBLE FLAT CABLE:SML2CD-6	
8	XC8042051	TENSION PULLEY ASSY		52	060300616	SCREW BIND M3X6	
9	XC8045050	TENSION PULLEY		53	XC8085050	CORD CLIP	
10	XC8046051	X GUIDE PLATE		54	XC8311051	ASSY:Y SENSOR PCB	
11	XC8047050	E CODE SUPPORTER		55	XC8086050	CODE GRIP	
12	XC7566051	SCREW, PAN(S/P WASHER)M4X8		56	XC8087051	X SLIDER	
13	XC8300051	ASSY:X SENSOR PCB		57	XC7566051	SCREW, PAN(S/P WASHER)M4X8	
14	060300616	SCREW BIND M3X6		58	XC8898051	X GUIDE SHAFT PRESSER PLATE	
15	X53169050	BAND		59	XC8899050	X GUIDE SHAFT PRESSER	
16	XC8303051	ASSY:EMB RELAY PCB		60	060300416	SCREW BIND M3X4	
17	XC8049051	X CARRIAGE UNIT		61	XC8088051	X BELT PRESSER	
18	XC8038050	DRIVING PULLEY		62	XC7566051	SCREW, PAN(S/P WASHER)M4X8	
19	XC8039050	DRIVING GEAR		63	XC7697051	ES BASE COVER	
20	XC8298051	ASSY:XY PULSE MOTOR		64	XC8093051	GROOVE COVER	
21	XC8306051	ASSY:YPM LEAD WIRE		65	X59853050	RUBBER CUSHION	
22	XA8390051	SCREW		66	XC8094051	RUBBER CUSHION COVER	
23	XC8058050	FFC CODE GUIDE		67	XC8095051	LOCK FINGER	
24	XC8586050	FFC CODE SUPPORTER		68	XC8096051	SPRING	
25	060300616	SCREW BIND M3X6		69	XC8097051	LOCK RELEASE LEVER	
26	XC8042051	TENSION PULLEY ASSY		70	XC8099051	DROP LEVER SUPPORT ASSY	
27	XC8045050	TENSION PULLEY		71	XC8102051	DROP LEVER CALKING ASSY	
28	XC8059051	TIMING BELT 40S2M740		72	XC8105050	NOTCHED CAM	
29	XC8061051	Y SLIDER		73	085301017	TAPTITE BIND P M3X10	
30	XC8062051	YT BELT PRESSER PLATE		74	XC8107051	DROP NOTCHED PLATE	
31	XC7566051	SCREW, PAN(S/P WASHER)M4X8		75	060300616	SCREW BIND M3X6	
32	XC8065051	Y CARRIAGE ASSY		76	XC8313051	ASSY,DROP SW	
33	XC8068051	Y GUIDE SHAFT		77	XC8108051	DROP SW HOLDER	
34	XC8070151	E HOOP STAY PLATE SUB ASSY		78	XC8106051	DROP KNOB	
35	XC8074051	E HOOP LOCK LEVER		79	XA8390051	SCREW	
36	XC8075051	E HOOP LOCK LEVER SPRING		80	XC8109051	DROP CONNECTION ROD	
37	048040343	RETAINING RING E4	1000001452	81	085301017	TAPTITE BIND P M3X10	
38	XC8307051	ASSY:FRAME PCB		82	XC7566051	SCREW, PAN(S/P WASHER)M4X8	
39	XC8076051	E HOOP PRESSURE PLATE		83	XC8315051	ASSY,EMB UNIT LEAD WIRE	
40	XC8077051	E HOOP PRESSURE SPRING A		84	085301616	TAPTITE BIND P M3X16	060075
41	XC8079051	E HOOP PRESSURE SPRING C		85	087411416	TAPTITE CUP B M4X14	
42	060300416	SCREW BIND M3X4		86	X53169050	BAND	
43	XA8390051	SCREW		87	XC7566051	SCREW, PAN(S/P WASHER)M4X8	
44	XC8859051	INSULATOR SHEET		88	XC8110051	ES MAIN COVER ASSY	

(7) EMBROIDERY UNIT



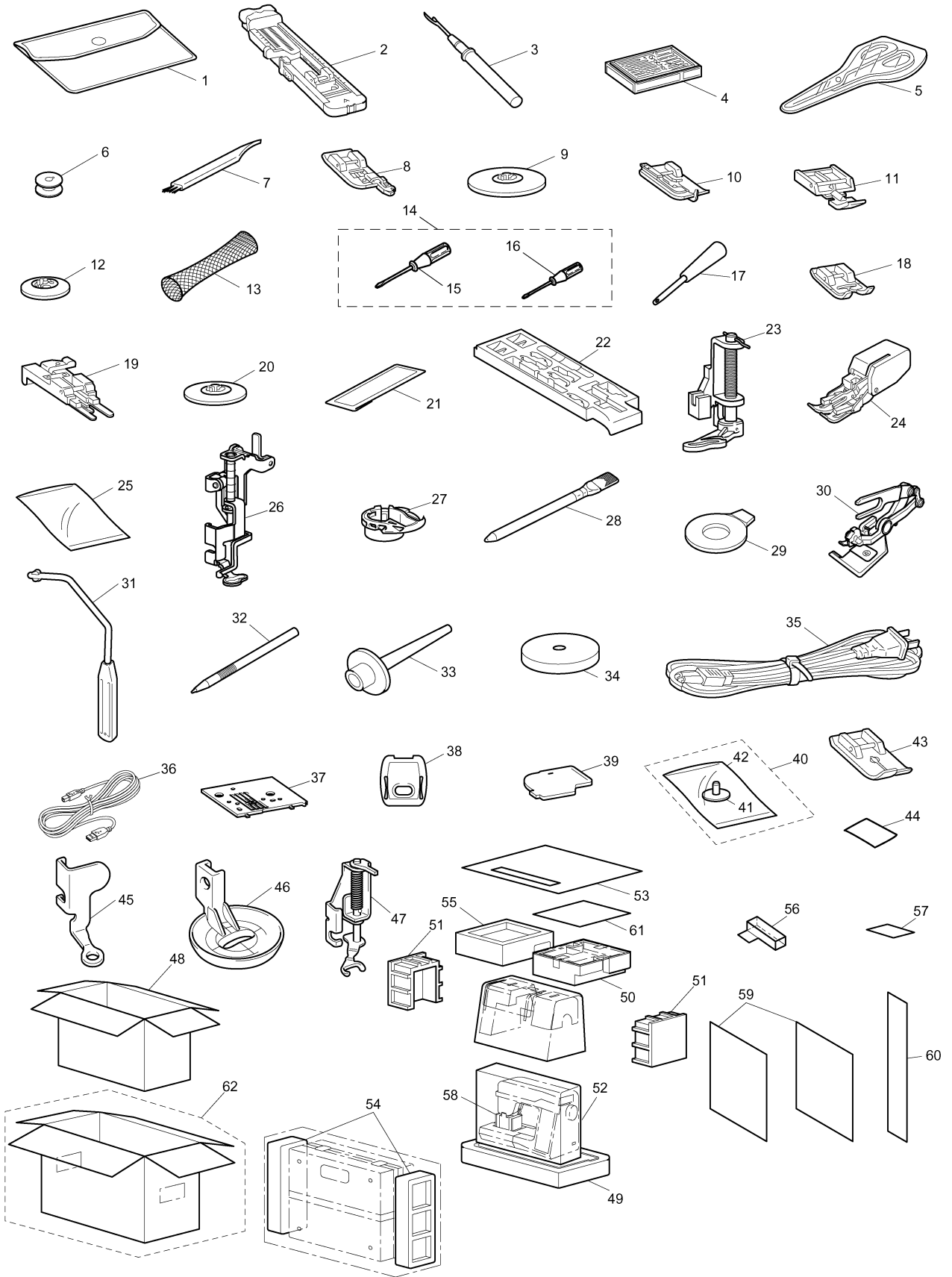
(7) EMBROIDERY UNIT



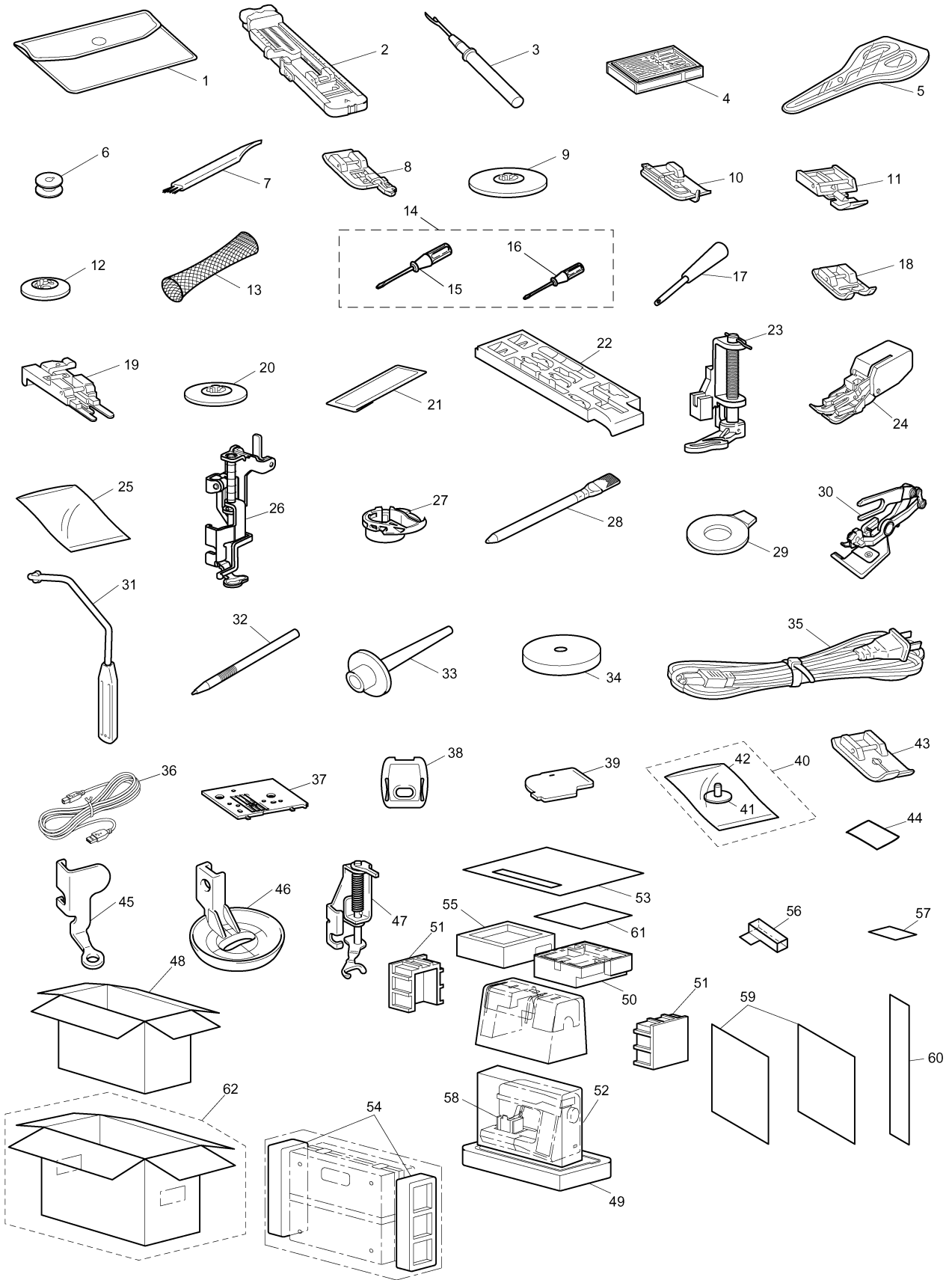
(8) ATTACHMENTS / PACKING MATERIALS / PRINTED MATTER

No.	CODE	NAME	REMARKS	No.	CODE	NAME	REMARKS
ATTACHMENTS							
1	XC4487051	ACCESSORY BAG		37	XC8362051	STRAIGHT NEEDLE PLATE A ASSY	
2	X57789151	BH PRESSER FOOT		38	XD1644051	NEEDLE PLATE COVER SUPPLY ASSY	050259
3	X54243051	SEAM RIPPER		39	XC8449051	CORD GUIDE COVER	
4	X58358051	Z NEEDLE ASSY		40	XC8661151	BOBBIN GUIDE SET (U.S.A., TAIWAN)	
5	XC1807121	SCISSORS			XD0897051	BOBBIN GUIDE SET (CANADA)	
6	X52800150	BOBBIN		41	XD0835051	BOBBIN GUIDE ASSY (U.S.A. CANADA)	
7	X59476051	CLEANING BRUSH		42	X60838051	BAG,70X110C (U.S.A. CANADA)	
8	XC3098051	OVERCASTING STITCH FOOT ASSY		43	XD0826051	STRAIGHT STITCH FOOT	
9	130012054	SPOOL PRESSER A		44	XD0795151	ST FOOT INSERTION	050188
10	X56409051	BLIND STITCH FOOT ASSY		45	XE0765001	QUILTING FOOT C (NV4500D)	1000001701
11	X59370051	ZIPPER FOOT		46	XE0766001	QUILTING FOOT E (NV4500D)	1000001701
12	130013154	SPOOL PRESSER B		47	XE0767001	QUILTING FOOT O ASSY (NV4500D)	1000001701
13	XA5523050	NET		PACKING MATERIALS			
14	XE0243001	SCREW DRIVER ASSY	060020	48	XC8175050	CARTON	
15	X55467051	SCREW DRIVER	060020	49	XD1466250	BODY SUPPORT POLYSTYRENE	1000001190
16	X55468051	SCREW DRIVER S		50	XD1845050	OVER CARTON POLYSTYRENE	050290
17	135793001	PUNCH		51	XD1805050	POLYSTYRENE FOAM PAD ASSY,CASE	050290
18	X53840351	TRANSPARENCY PRESSER FOOT		52	XC8535051	BAG,800X600T	
19	130489001	BUTTONING FOOT		53	XC8186050	PAD D	
20	X55260153	SPOOL PRESSER C		54	XC9671350	POLYSTYRENE FOAM PAD, ES	
21	X59296151	TWIN NEEDLE (1PC)		55	XC9562250	OVER CARTON POLYSTYRENE B	
22	XC7701051	ACCESSORY TRAY		56	XC8617050	CORD PAD D	
23	XA4322001	QUILTING FOOT (NV4000D, NV4000)	1000001701	57	X57847051	PLUG LABEL (U.K.)	
24	XE0054201	WALKING FOOT ASSY H 7MM	1000000446	58	XC9195250	SHUTTLE SUPPORT POLYSTYRENE	060027
25	XA0188050	BAG		59	XZ0400150	SIDE PAD D	
26	XC8156551	W PRESSER UNIT	050276	60	XZ0402050	SHEET, 150X530	
27	XC8167251	INNER ROTARY HOOK ASSY	050212	61	XZ0393050	PAD D MIDDLE	
28	184944001	CHALK PEN		62	XE0797001	CARTON SUPPLY ASSY (NV4000D:OTHER)	060133
29	XC1074051	NEEDLE PLATE FIXING METAL			XE0798001	CARTON SUPPLY ASSY (NV4000D:RUS)	060133
30	XC3198001	SIDE CUTTER ASSY			XE0797002	CARTON SUPPLY ASSY (NV4000:OTHER)	060133
31	XA6941052	KNEE LIFTER LEVER ASSY	1000000574		XE0798002	CARTON SUPPLY ASSY (NV4000:RUS)	060133
32	XA9940051	TOUCH PEN		PRINTED MATTER			
33	XC8619051	EXTRA SPOOL PIN			XD0784051	INSTRUCTION BOOK ENG	
34	X57045051	SPOOL FELT			XD0785051	INSTRUCTION BOOK FRE	
35	XC6052051	POWER SUPPLY CORD:UL CSA-LF (U.S.A., CANADA)			XD0786051	INSTRUCTION BOOK GER	
	XA0070151	POWER SUPPLY CORD (OTHER)			XD0787051	INSTRUCTION BOOK DUT	
	XD0111051	POWER SUPPLY CORD:IRAM (ARG)			XD0788051	INSTRUCTION BOOK SPA	
	XD0225051	POWER SUPPLY CORD:TWN (TAIWAN)			XD0782051	INSTRUCTION BOOK ITA	
	XE2016001	POWER SUPPLY CORD KOR (KOREA)	1000000491		XD0790051	INSTRUCTION BOOK CHN	
	X59354151	POWER SUPPLY CORD -BS (U.K.)			XC8171051	INSTRUCTION BOOK DISNEY (NV4000D)	
	XC9548051	POWER SUPPLY CORD : SAA-LF (AUS)			XE0090001	INSTRUCTION BOOK ENG (RUS)	060081
	XA5820051	MAIN POWER CODE (CHINA)	ADD		XE2537001	INSTRUCTION BOOK ENG (NV4500D)	1000001701
36	XD0745051	USB I/F CORE CABLE	050286				

(8) ATTACHMENTS / PACKING MATERIALS / PRINTED MATTER



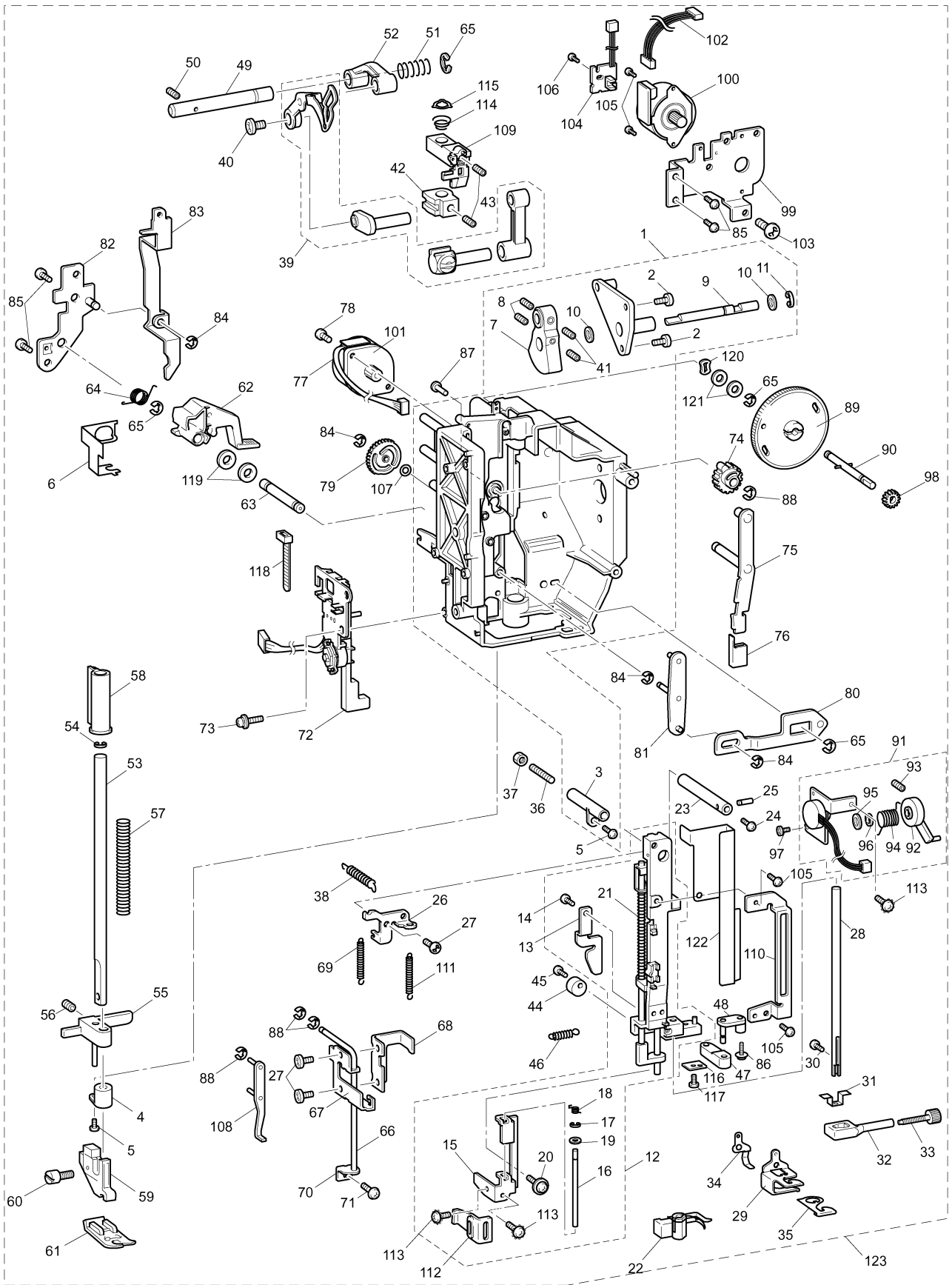
(8) ATTACHMENTS / PACKING MATERIALS / PRINTED MATTER



NEEDLE-PRESSER MODULE

No.	CODE	NAME	REMARKS	No.	CODE	NAME	REMARKS
1	XC8275051	UPPER SHAFT HOLDER ASSY		45	018301032	BOLT SOCKET M3X10	1000001471
2	XC7568051	SCREW, PAN(S/P WASHER)M4X14		46	XC2748021	SPRING-Z	
3	XC2398020	SHAFT BUSHING A		47	XC7802051	NEEDLE HOLDER BROCK	
4	XC2399021	PRESSER BAR BUSHING		48	XC7803051	H SHAFT HOLDER ASSY	
5	136681051	TAPTITE, BIND B M3X8		49	XC8374051	SHAFT	
6	XC5362050	PLATE SPRING		50	014300532	SET SCREW SOCKET (CP) M3X5	
7	XC7784051	THREAD TAKE-UP COUNTER WEIGHT		51	XC2441021	SPRING	
8	012500532	SET SCREW SOCKET (FT) M5X5		52	XC2443020	THREAD TAKE-UP LEVER LINK	
9	XC7785051	UNIT SHAFT		53	XC7806051	PRESSER BAR	
10	131976050	WASHER,THRUST		54	048050343	RETAINING RING E5	1000001452
11	048080343	RETAINING RING E8	1000001452	55	XC7807051	PRESSER BAR CLAMP ASSY	
12	XC7786051	NEEDLE BAR SUPPORTER ASSY		56	014501032	SET SCREW SOCKET (CP) M5X10	1000001471
13	XC7793051	HOOK RELEASE PLATE		57	XC7810051	SPRING	
14	060260516	SCREW BIND M2.6X5		58	XC7811050	PRESSER FOOT RACK	
15	XC3446051	RELEASE LEVER		59	XC3015051	PRESSER FEED HOLDER ASSY	
16	XC3447051	RELEASE LEVER SHAFT		60	XA4813051	SCREW	
17	048025343	RETAINING RING E2.5	1000001452	61	XC3021051	Z FOOT	
18	XC3448051	RELEASE LEVER SPRING		62	XC7812051	PRESSER FOOT LIFTER	
19	137977051	POLYESTER SLIDER		63	XC2452051	PRESSER LIFT SHAFT	
20	0A2300606	SCREW PAN (P WASHER) M3X6		64	XC7813051	SPRING	
21	XC8485051	SPRING		65	048040343	RETAINING RING E4	1000001452
22	XC7794051	HOOK ASSY		66	XC2453051	LEVER GUIDE SHAFT	
23	XC2419021	SHAFT		67	XC7814051	LEVER AB	
24	000020415	SCREW BIND M2X4		68	XC7815051	NEEDLE THREADER DRIVING PLATE	
25	XC2420050	SHAFT		69	XC7816051	SPRING	
26	XD1488051	PLATE	050228	70	XC7817051	LEVER SUPPORTER PLATE	
27	060300516	SCREW BIND M3X5		71	138433051	TAPTITE,PAN B M3X6	
28	XC7799051	NEEDLE BAR		72	XC7787051	BH SWITCH ASSY	
29	XC8654051	NEEDLE BAR THREAD GUIDE		73	XZ0149051	TAPTITE,PAN B 4X12	
30	X53053052	SCREW SM2.38		74	XC7818150	Z ZIGZAG CAM	
31	XC2426020	NEEDLE THREAD PLATE		75	XC7819051	Z ZIGZAG LEVER ASSY	
32	XC3554051	NEEDLE BLOCK		76	XC2480020	Z LEVER CUP	
33	XZ0388051	NEEDLE CLAMP SCREW		77	XC8225051	ASSY:ZPM LEAD WIRE	
34	XC4162021	NEEDLE BLOCK SUPPORTER		78	X59629051	TAPTITE,BIND B M3X10	
35	XC8655051	SUPPORT SPRING		79	XC2483020	T CAM	
36	014401232	SET SCREW SOCKET (CP) M4X12		80	XC7822051	TENSION RELEASE ROD ASSY	
37	X56851051	LOCK NUT		81	XC5985051	THREAD RELEASE LEVER ASSY D6	
38	XC2429021	SPRING		82	XC7824051	ADJUSTING PLATE ASSY	
39	XZ0394151	NEEDLE BAR CRANK ROD ASSY	1000000870	83	XC7826051	TENSION RELEASE PLATE C	
40	132051052	SCREW, FLAT SM3.57-40X7 L		84	048030343	RETAINING RING E3	1000001452
41	012500532	SET SCREW SOCKET (FT) M5X5		85	085411015	TAPTITE BIND B M4X10	
42	XC2434021	NEEDLE THREAD BLOCK		86	XC3037051	SCREW3X10	
43	012400432	SET SCREW SOCKET (FT) M4X4		87	XC2475051	SHAFT	
44	XC2435020	ZIGZAG ADJUSTING NUT		88	048020343	RETAINING RING E2	1000001452

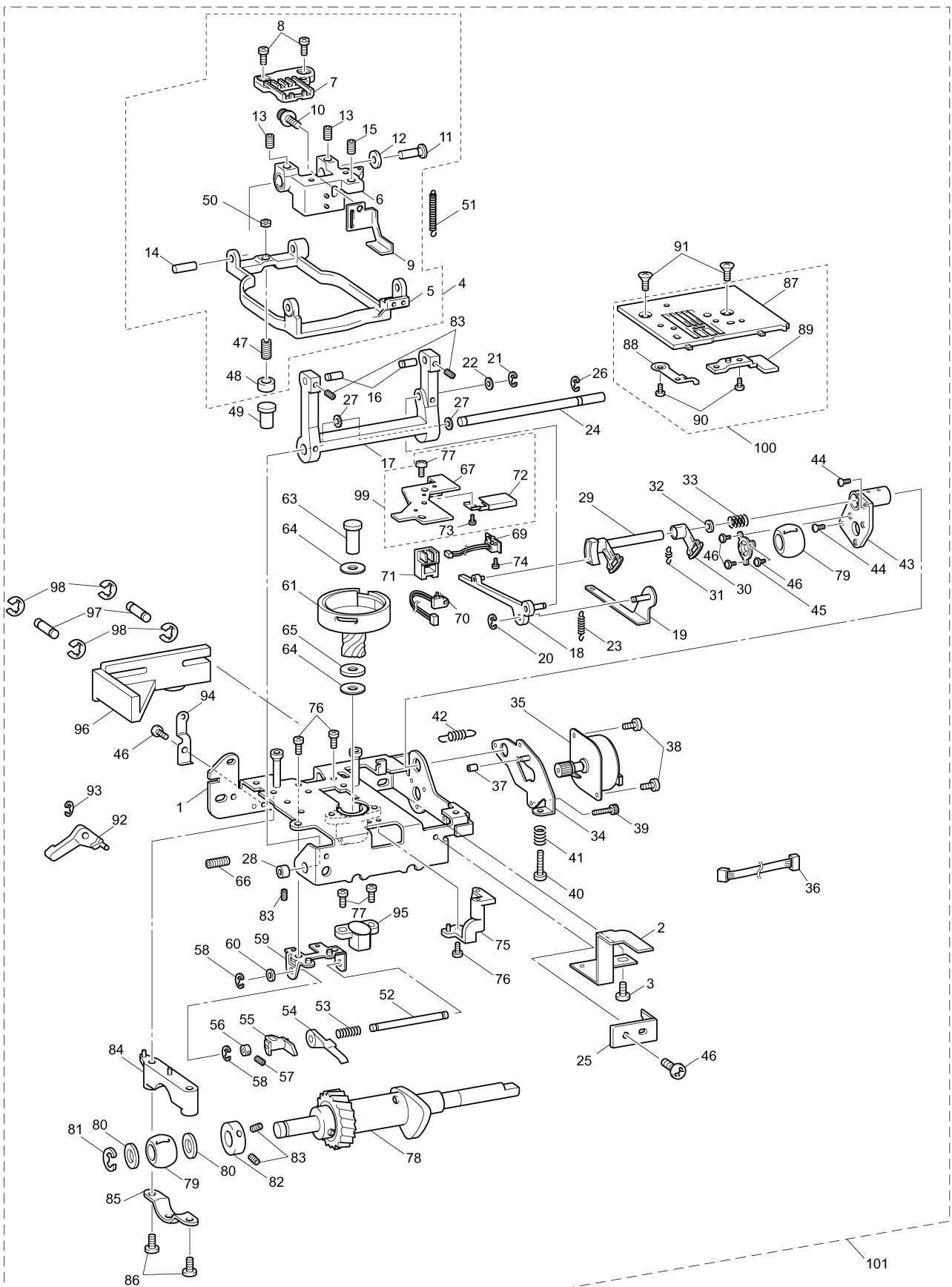
NEEDLE-PRESSER MODULE



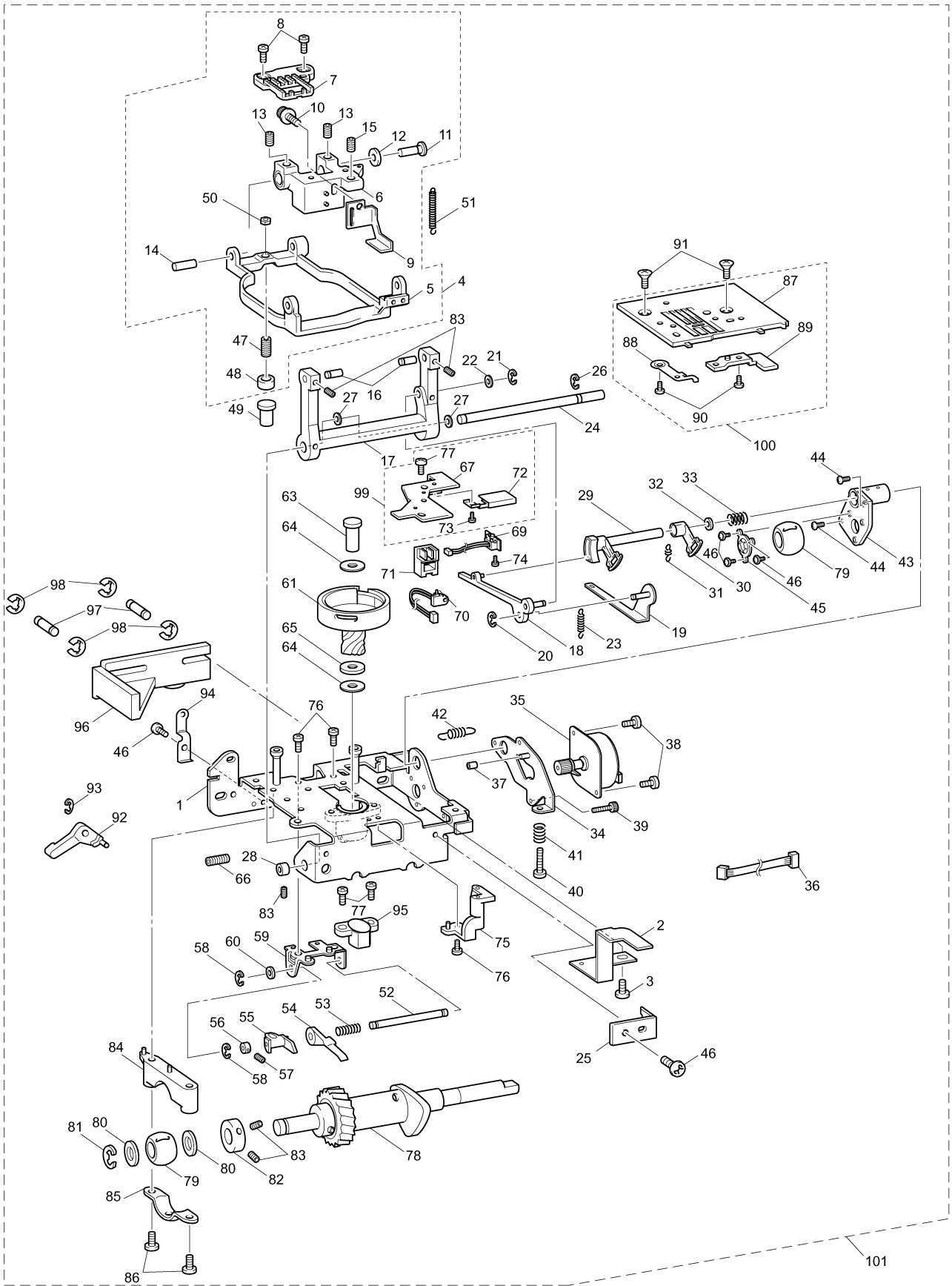
FEED MODULE

No.	CODE	NAME	REMARKS	No.	CODE	NAME	REMARKS
1	XC7638051	BASE PLATE		45	XC2542021	BUSHING PRESSER B	
2	XC7837051	F GEAR STOPPER PLATE		46	060300516	SCREW BIND M3X5	
3	060400416	SCREW, BIND M4X4		47	012401032	SET SCREW SOCKET (FT) M4X10	
4	XC7841151	FEED BAR ASSY		48	XC7853150	CAP	
5	XC7842151	FEED BAR		49	XC7854051	VERTICAL ROD	
6	XC8530051	FEED DOG BASE ASSY		50	X56851051	LOCK NUT	
7	XC7846151	FEED DOG		51	XZ0385051	SPRING	
8	060300616	SCREW BIND M3X6		52	XC8361051	VERTICAL FEED SHAFT	
9	XC7847051	FEED DOG CORRECTION PLATE		53	XC7856051	SPRING	
10	XC3338051	SCREW3X8	050231	54	XC7857050	FEED DOG CORRECTION LEVER	
11	XC7848051	FEED DOG BASE SHAFT A		55	XC7858050	VERTICAL LEVER	
12	137999050	POLYESTER SLIDER		56	XC2552051	SET SCREW COLLAR	
13	014400432	SET SCREW SOCKET (CP) M4X4		57	014400432	SET SCREW SOCKET (CP) M4X4	
14	XC7849051	FEED DOG BASE SHAFT B		58	048030343	RETAINING RING E3	1000001452
15	012400432	SET SCREW SOCKET (FT) M4X4		59	XC7859051	VERTICAL SUPPORTING PLATE	
16	XC2512051	FEED BAR SHAFT A		60	137713050	POLYESTER SLIDER	
17	XC8337021	FEED ARM A		61	XC2210051	OUTER ROTALY HOOK ASSY	
18	XC2517021	FEED ARM B ASSY		62	X58913052	BIND 2X3	DEL
19	XC2521021	FEED SUPPORTING PLATE ASSY		63	XC2230051	OUTER ROTARY HOOK SHAFT	
20	048020343	RETAINING RING E2	1000001452	64	137805052	SPACER	
21	048030343	RETAINING RING E3	1000001452	65	137976051	WASHER 6	
22	137999050	POLYESTER SLIDER		66	014400632	SET SCREW SOCKET (CP) M4X6	
23	XC9277051	SPRING		67	XC8406251	INNER ROTARY HOOK BRACKET ASSY	
24	XC7835051	HORIZONTAL FEED SHAFT		68	X58913054	BIND 2X3	DEL
25	XC8195051	SHAFT STOPPER PLATE		69	XC8350051	PHOTO DIODE HOLDER ASSY	
26	048050343	RETAINING RING E5	1000001452	70	XC8240051	ASSY:PLTSW D6	
27	X50546050	WASHER,THRUST		71	XC7865050	NEEDLE PLATE SW HOLDER	
28	130676151	SET SCREW COLLAR		72	XC7866251	CORD HOLDER	
29	XC2527121	FEED ADJUSTER	1000000154	73	060260316	SCREW BIND M2.6X3	
30	XC2529020	F GEAR		74	000020415	SCREW BIND M2X4	
31	XC2530021	SPRING		75	XZ0181121	STOPPER PLATE BLOCK ASSY	050249
32	137713050	POLYESTER SLIDER		76	060400516	SCREW BIND M4X5	
33	XC2531021	SPRING		77	060300816	SCREW BIND M3X8	
34	XZ0397051	FPM HOLDER ASSY		78	XC7867051	LOWER SHAFT B ASSY	
35	XC9759051	FPM INSULATION ASSY		79	X52664050	LOWER SHAFT BUSHING	
36	XC8236051	ASSY:FPM LEAD WIRE		80	X51383050	WASHER,THRUST	
37	XC2587050	RUBBER		81	048060343	RETAINING RING E6	1000001452
38	060300516	SCREW BIND M3X5		82	137768151	SET SCREW COLLAR	
39	XC3338051	SCREW3X8	050231	83	014400432	SET SCREW SOCKET (CP) M4X4	
40	018402532	BOLT SOCKET M4X25	1000001471	84	XC2566021	BUSHING SUPPORTER A	
41	XC2537021	SPRING		85	XC2567021	BUSHING PRESSER A	
42	XC2538021	SPRING		86	060401616	SCREW BIND M4X16	
43	XC2539021	BUSHING SUPPORTER ASSY		87	XC7872151	NEEDLE PLATE A	
44	060400616	SCREW BIND M4X6		88	XC2570121	STOPPER PLATE	050293

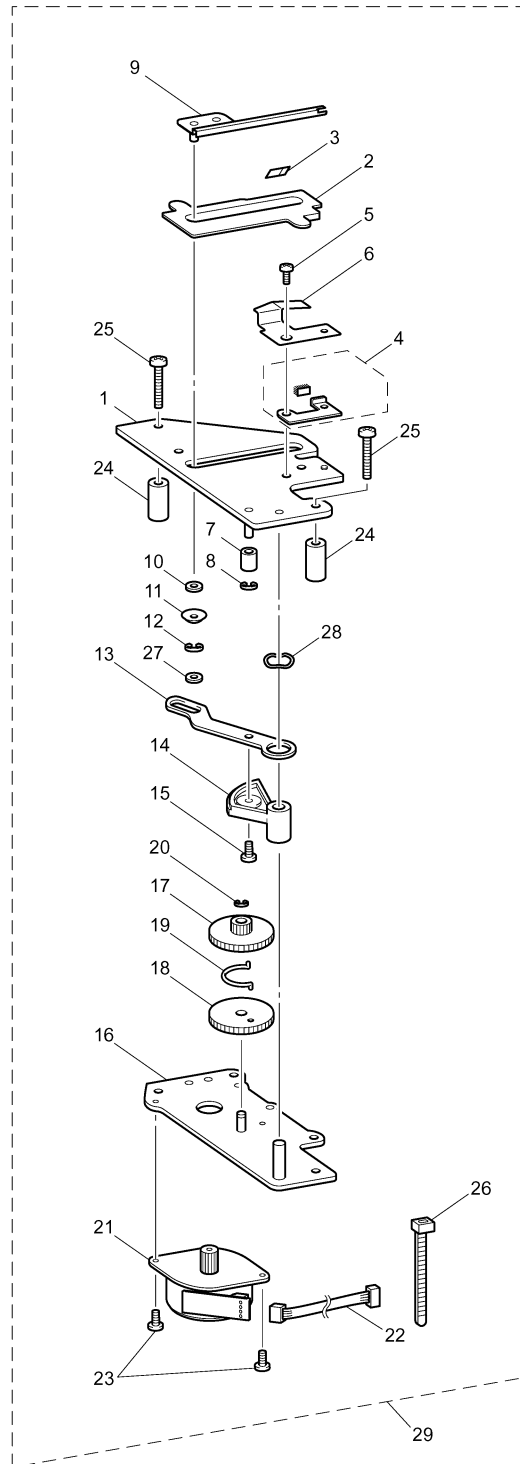
FEED MODULE



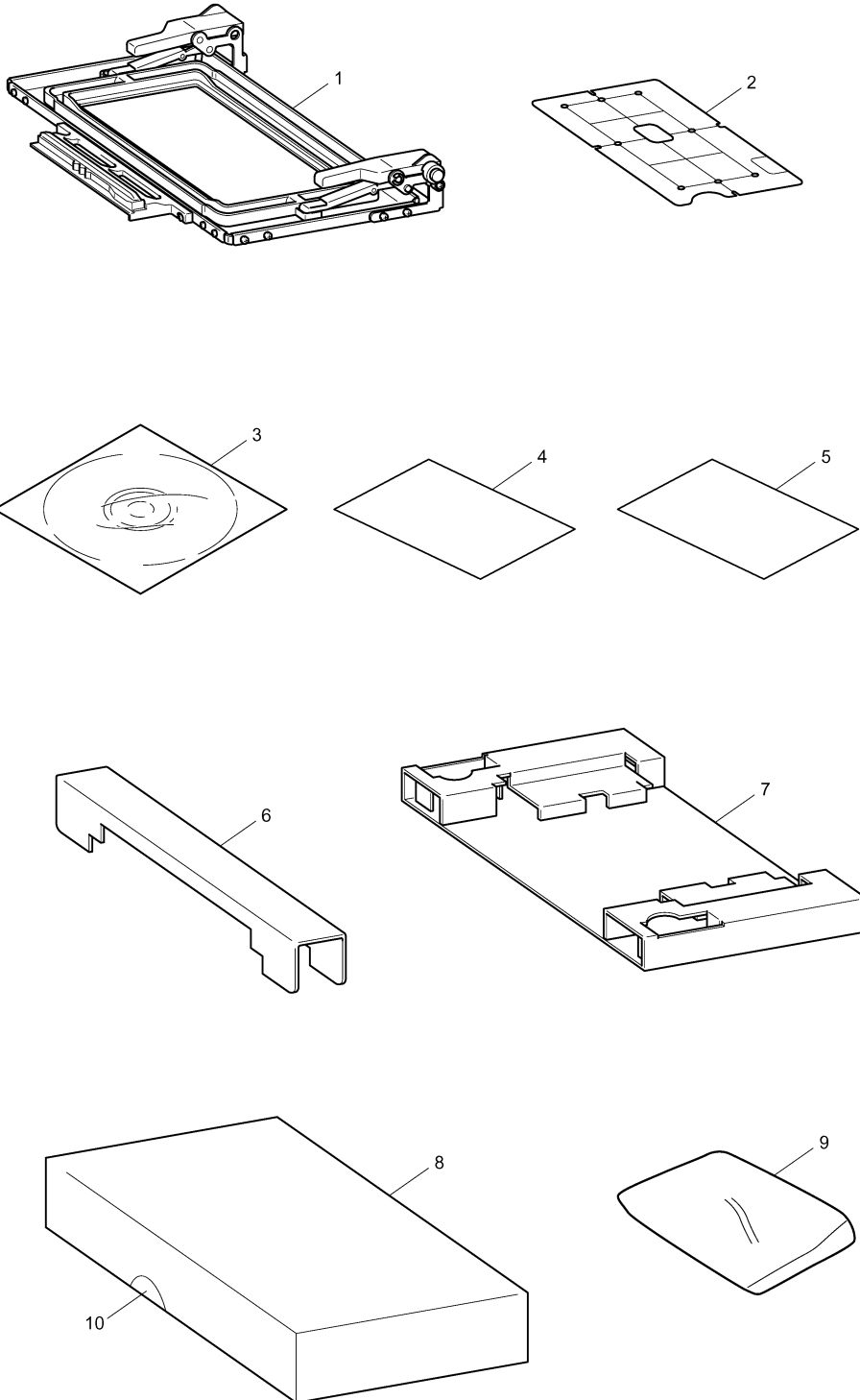
FEED MODULE



THREAD CUTTER MODULE



BORDER HOOP (NV4500D)



brother®

NV4000D/NV4000/NV4500D
14H04HF882S90/91/94

08. 2005.
06. 2007.