

Husqvarna

VIKING

Parts list

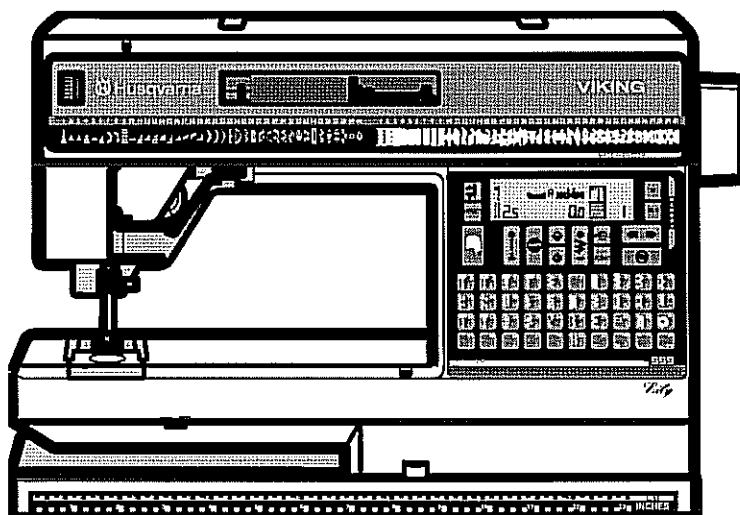
LILY

555

545

535

436000027
video



FREESIA

425

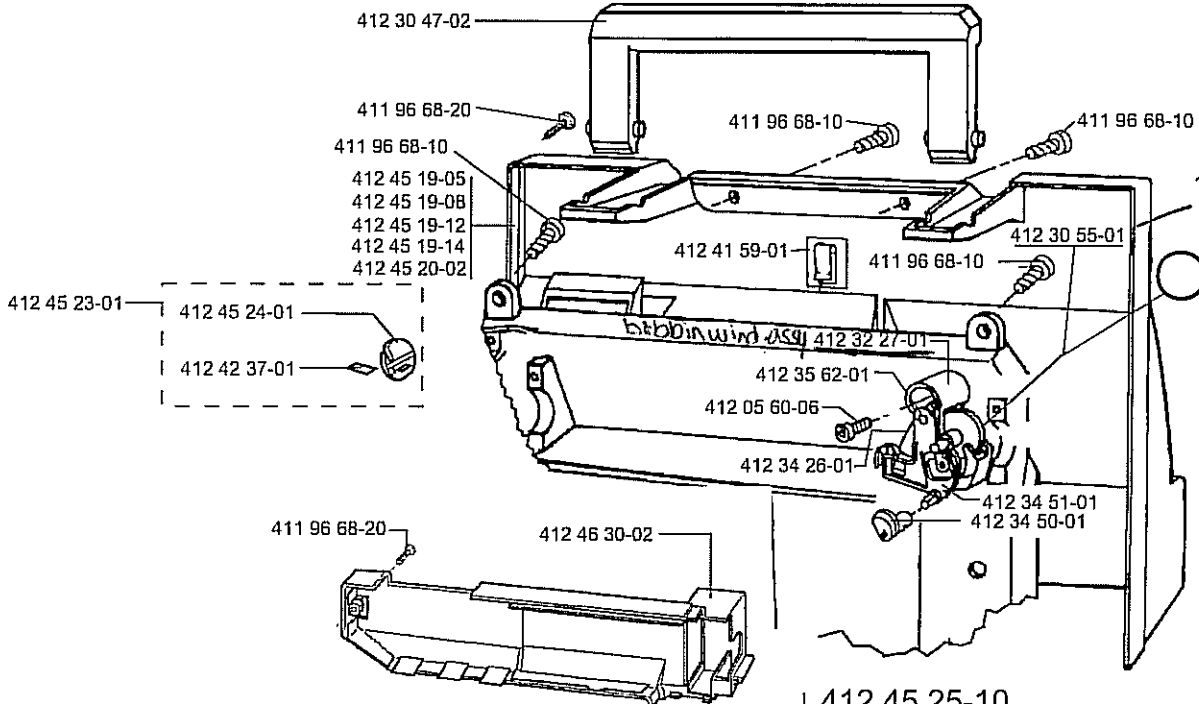
415

436000047
video

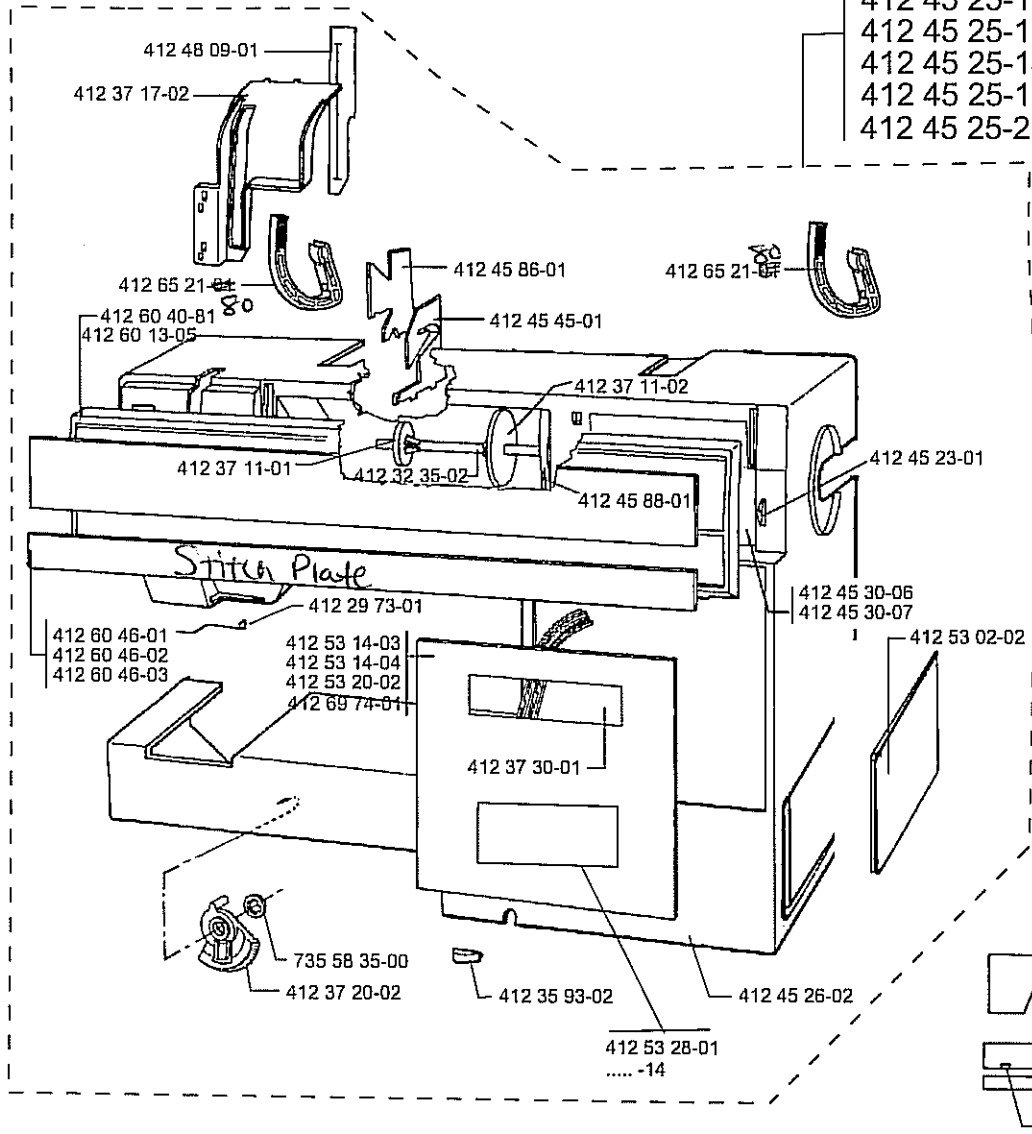
LISA ANGELICA VICTORIA

Partno	Description	Square	Partno	Description	Square
411 72 10-01	Washer	C	412 32 71-47	Transformer 120 V	B
411 75 00-07	Needle bar compl (old version)	F	412 32 71-48	Transformer 100 V	B
412 58 17-01	Needle bar compl (new version)	F	412 32 84-01	Clamp	D, H
411 75 02-01	Needle clamp (old version)	F	412 33 62-01	Cog wheel	E
412 58 18-01	Needle clamp (new version)	F	412 33 93-01	Attachment, motor	B
411 75 03-02	Stop needle clamp	F	412 33 94-01	Muffler, motor	B
411 75 04-01	Thread guide (old version)	F	412 33 97-02	Motor 24 V	B
412 58 19-01	Thread guide (new version)	F	412 34 24-07	Base plate	B
411 78 10-03	Light bulb	F	412 34 24-08	Base plate Lisa	B
411 96 68-10	Screw	A	412 34 24-09	Base plate Angelica	B
411 96 68-12	Screw	B	412 34 26-01	Spring	A
411 96 68-20	Screw	A	412 34 42-03	Hard cover	K
411 96 71-07	Screw	B	412 34 45-01	Holder	B
411 98 14-01	Washer	C	412 34 47-01	Holder	B
412 00 13-01	Washer	D	412 34 48-01	Screen	D
412 02 41-01	Spring	F	412 34 50-01	Eccentric	A
412 05 60-01	Screw M5*14	B	412 34 51-01	Adjusting arm	A
412 05 60-04	Screw M3*6	C, E, F	412 34 54-01	Cog belt	H
412 05 60-05	Screw M4*12	A, B, D, E, H	412 34 60-01	Stop ring	D
412 05 60-07	Screw M4*16	G	412 34 75-01	Feeding step motor	E
412 05 60-10	Screw M3*10	F	412 34 79-01	Calibration stop	E, F
412 05 60-11	Screw M3*5	D	412 34 80-02	Damper	E, F
412 13 12-01	Bulb 4 V	B	412 34 81-01	Spring	E
412 14 30-05	Fuse 6.3 A/250 V	B	412 34 82-01	Setting screw	E
412 14 30-06	Fuse 2 A/250 V	B	412 34 84-01	Shaft, feeding compl.	E
412 14 32-03	Fuse 3.5 A/250 V (USA)	B	412 34 85-01	Joint cross	E
412 14 32-05	Fuse 2 A/250 V (USA)	B	412 34 87-01	Spring	E
412 15 78-01	Cord device, stand.	J	412 34 88-01	Fastener, spring	E
412 15 79-02	Cord device, Japan	J	412 34 89-01	Spring	F
412 15 79-03	Cord device, USA, Can.	J	412 34 91-01	Attachment	F
412 15 80-02	Cord device, England	J	412 34 92-01	Cog wheel	F
412 15 81-01	Cord device, Australia	J	412 34 96-01	Cablage motor	B
412 15 98-01	Spring	J	412 34 97-01	Cable for PC-board	B
412 18 45-01	Foot	J	412 35 12-25	Guide, quick info 425	A
412 21 14-02	Screw, torx M3*6	F	412 35 12-26	Guide, quick info Lisa	A
412 21 14-03	Screw, torx M3*8	F	412 35 26-01	Washer	D
412 21 14-14	Screw, torx M4*16	B	412 35 31-01	Thread tension set	G, K
412 22 98-01	Locking nut	E	412 35 33-02	Driving wheel compl.	B
412 28 19-02	Screw	C, F	412 35 42-01	Pulley	D
412 28 19-03	Screw M4*14	F	412 35 62-01	Pin	A
412 28 48-01	Spring	C	412 35 64-01	Holder	B
412 28 51-01	Adjusting arm	F	412 35 93-02	Cover	A
412 28 54-01	Presser bar	F	412 36 14-01	Opener, stitch plate	K
412 28 75-01	Base plate	B	412 36 78-01	Spring	G
412 28 79-01	Screw	D	412 36 80-01	Locking washer	C
412 28 81-01	Stitch plate (is used together with hook cover 412 45 89-01).	D	412 36 82-03	Lower shaft compl.	D
412 29 73-01	Thread guide	A	412 36 83-02	Arm shaft	H
412 30 05-01	Driver	H	412 36 84-01	Cog belt	H
412 30 07-01	Spring	H	412 36 87-01	Pin	H
412 30 08-01	Pulley	H	412 37 11-01	Thread reel disc 20 mm	A
412 30 09-02	Hand wheel	H	412 37 11-02	Thread reel disc 40 mm	A
412 30 16-01	Link	G	412 37 14-02	Lever feed lift	C
412 30 21-01	Locking washer	G	412 37 17-02	Screen	A
412 30 24-01	Crank arm	G	412 37 20-02	Knob, feed dog lowering	A
412 30 30-01	Guide arm	F	412 37 27-01	Spring	C
412 30 47-02	Handle	A	412 37 30-01	Window, foil keyboard	A
412 30 50-01	Foot	B	412 37 35-01	Connector sensor	F
412 30 55-01	Rubber ring	A	412 37 82-01	Nut	C
412 30 66-01	Shuttle shaft	D	412 38 16-02	Feeding unit compl.	C
412 30 74-01	Damper	D	412 39 09-19	Plastic bag with access. 555, 545	K
412 30 83-02	Frame, sewing head compl.	F	412 39 09-20	Plastic bag with access. 535	K
412 30 91-04	Regulating dial	F	412 39 09-21	Plastic bag with access. 415, 425, Ang	K
412 30 95-02	Presser bar guide	F	412 39 12-01	Spring presserfoot lifter	F
412 30 97-01	Presser bar lifter	F	412 39 44-01	Thread take up	F
412 31 04-02	Guide compl.	C	412 39 47-01	Washer	D
412 31 06-01	Spring	C	412 39 54-01	Feed unit compl.	C
412 31 34-01	Cover, soft	K	412 39 56-01	Frame carriage	C
412 31 41-02	Foot control compl.	J	412 39 59-04	Sewing head compl.	F
412 31 44-01	Cable standard	J	412 39 70-01	Guide connector	F
412 31 44-02	Cable USA, Can, Japan	J	412 40 97-01	Screw	F
412 31 48-01	Spring	C	412 41 12-01	Arkel	F
412 31 60-41	Shaft, sewing frame	F	412 41 58-01	Clip	A
412 31 76-01	Toothed segment	F	412 42 37-01	Thread knife	A, D
412 31 79-01	Clutch	H	412 43 18-01	Feed dog	C
412 31 81-01	Clamp, lower shaft	D	412 44 40-02	Hook	D
412 31 84-01	Bushing, feed dog	C	412 44 44-01	Cog wheel	D
412 31 89-01	Control unit	J	412 45 19-05	Back cover Husqvarna	A
412 32 27-01	Bobbin winding	A	412 45 19-08	Back cover Lisa, Sarah	A
412 32 33-02	Sealing washer	A	412 45 19-12	Back cover Angelica	A
412 32 34-03	Step motor, feeding	E	412 45 19-14	Back cover Victoria	A
412 32 34-07	Step motor, sewing head	F	412 45 20-02	Back cover, blank cover	A
412 32 35-02	Reel pin	A	412 45 23-01	Thread knife	A
412 32 43-02	Thread reel pin	K	412 45 24-01	Holder, thread knife	A
412 32 45-03	Thread tension device	G	412 45 25-10	Front cover compl. 425	A
412 32 47-01	Lever thread tension	G	412 45 25-11	Front cover compl. 415	A
412 32 49-01	Screw thread tension	G	412 45 25-13	Front cover compl. 555	A
412 32 50-01	Spring holder	G	412 45 25-14	Front cover compl. 545	A
412 32 51-02	Adjustment dial	G	412 45 25-15	Front cover compl. 535	A
412 32 67-45	PC-board transformer	B	412 45 25-17	Front cover compl. Lisa	A
412 32 71-45	Transformer 220-240 V	B	412 45 25-20	Front cover compl. Angelica	A
			412 45 25-21	Front cover compl. Victoria	A
			412 45 25-02	Front cover, empty	A

A

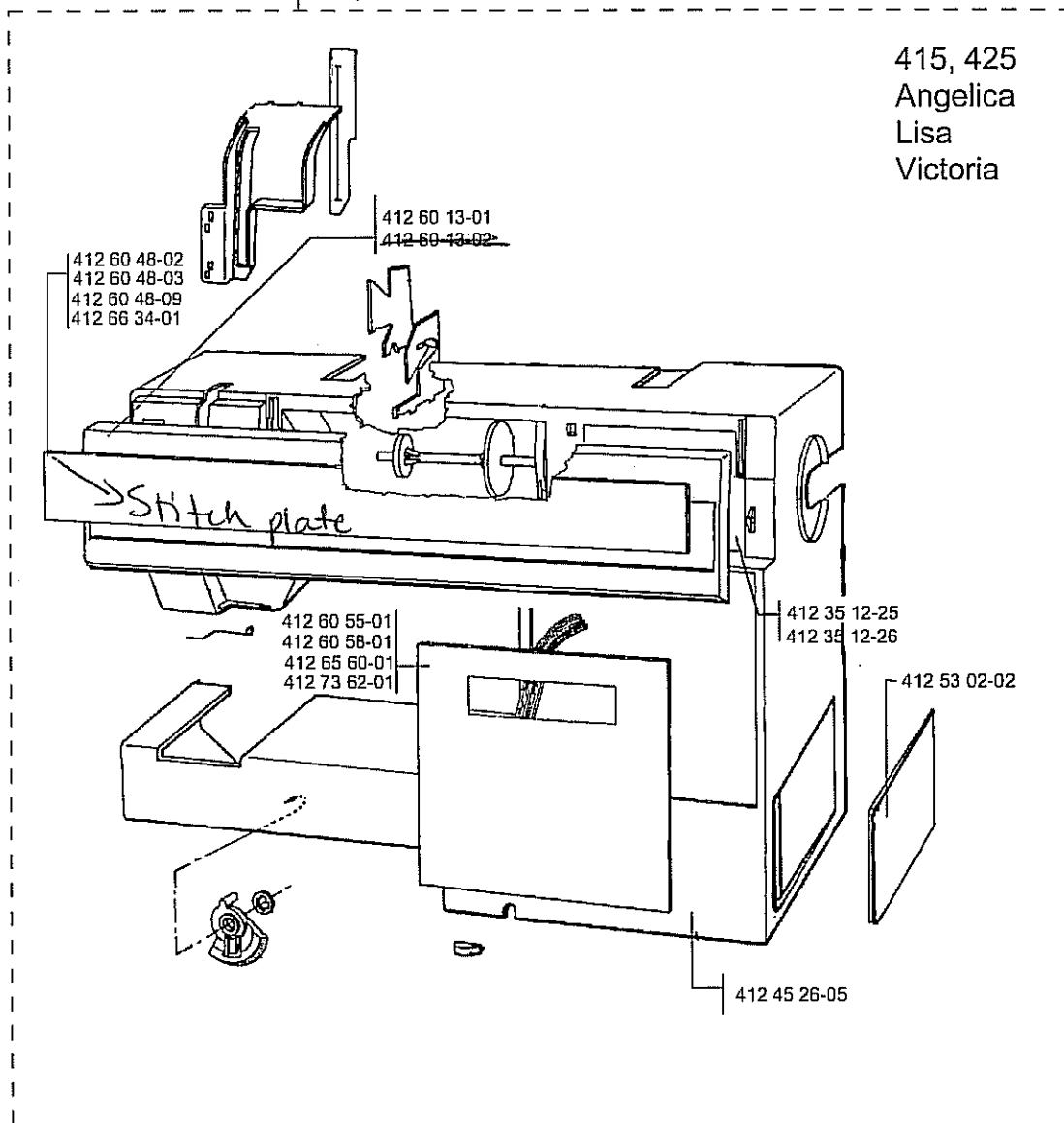


- 412 45 25-10
- 412 45 25-11
- 412 45 25-13
- 412 45 25-14
- 412 45 25-15
- 412 45 25-20

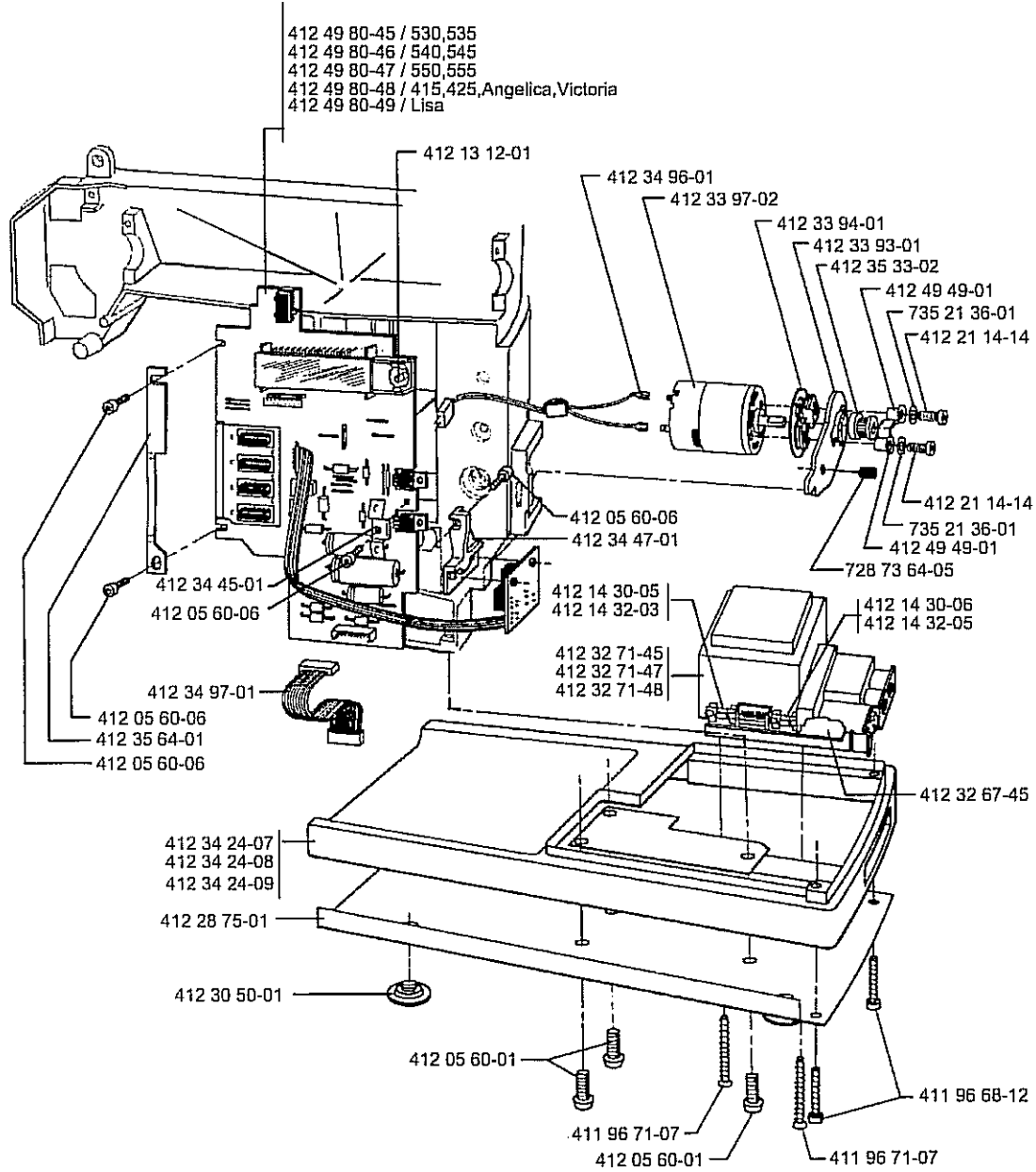


412 45 25-10 / 425
412 45 25-11 / 415
412 45 25-17 / Lisa
412 45 25-21 / Victoria

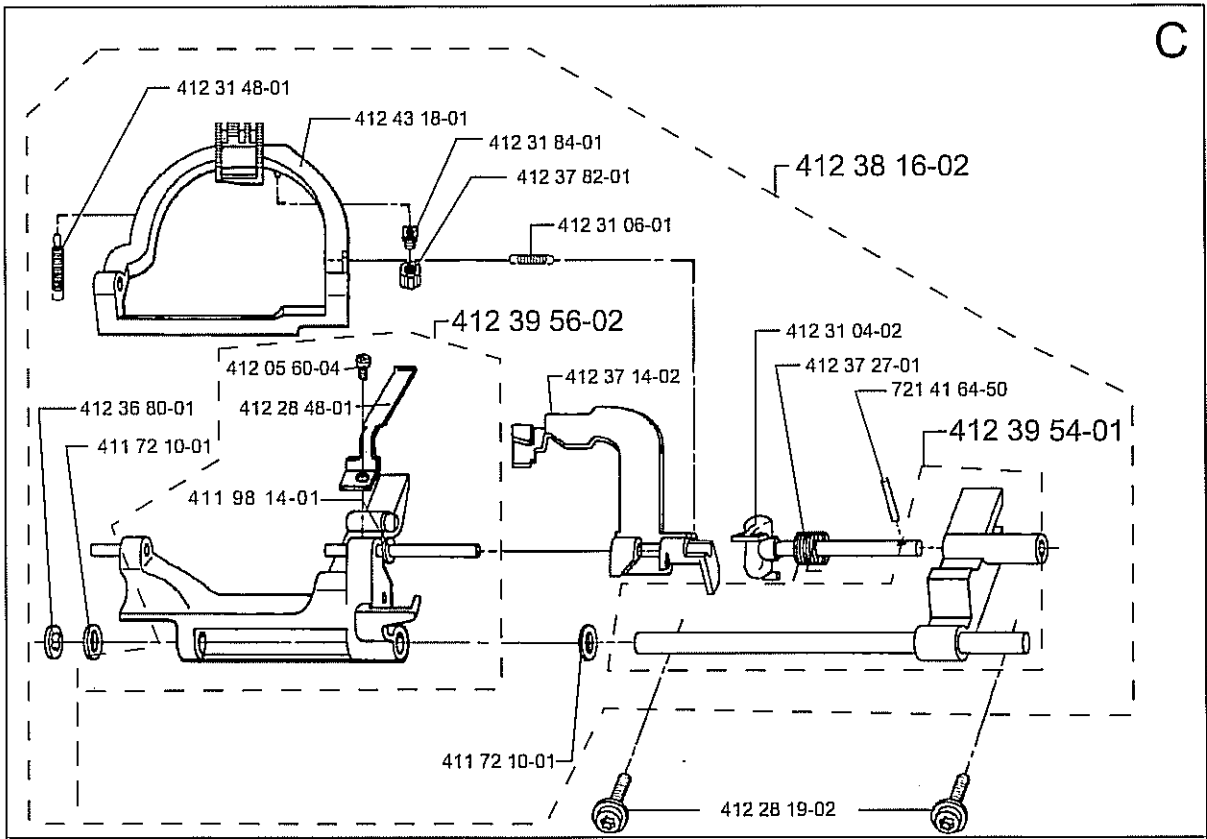
415, 425
Angelica
Lisa
Victoria



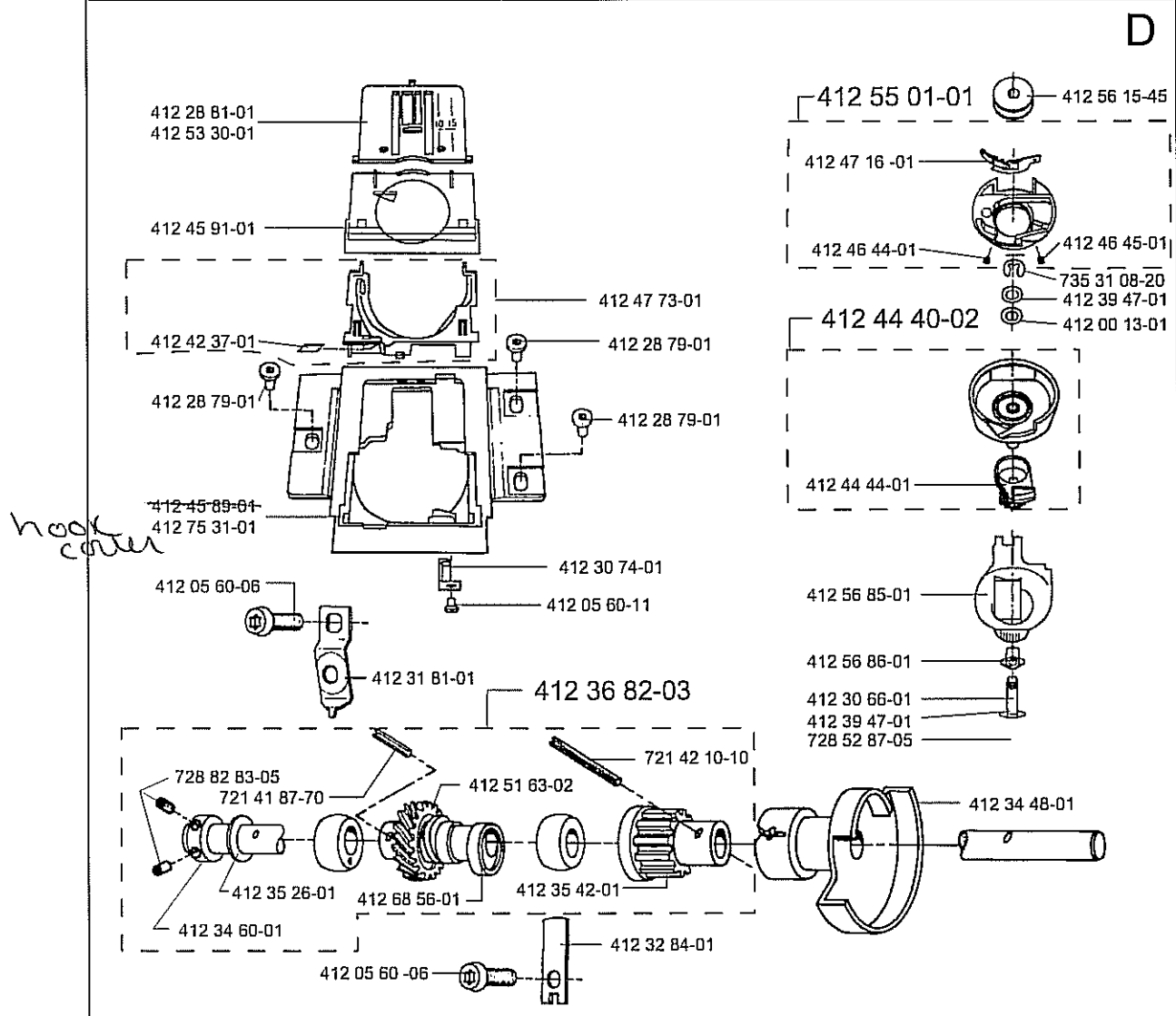
B



C

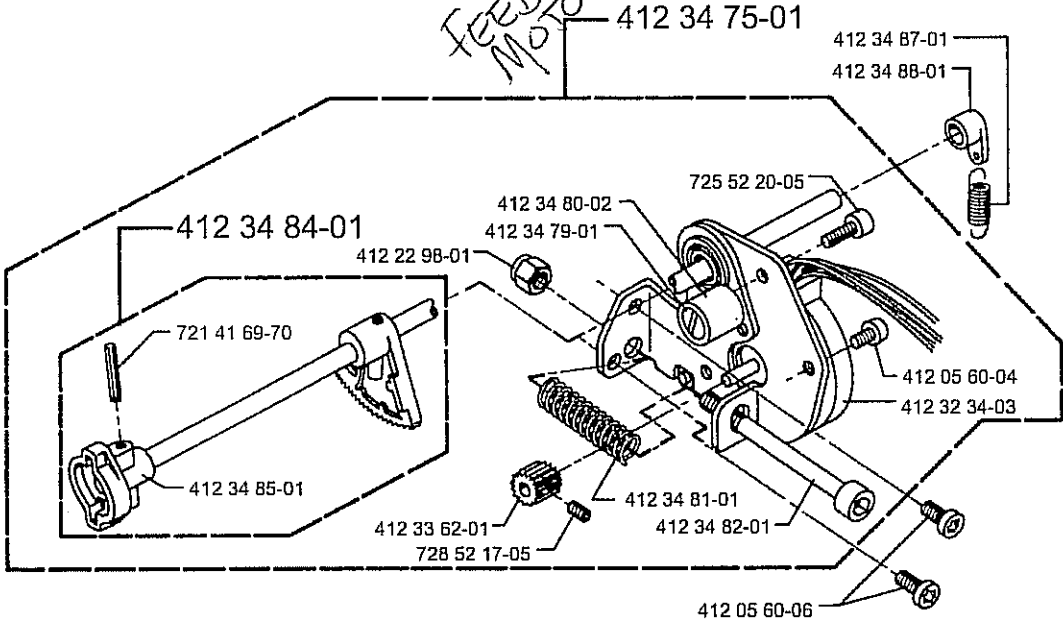


D

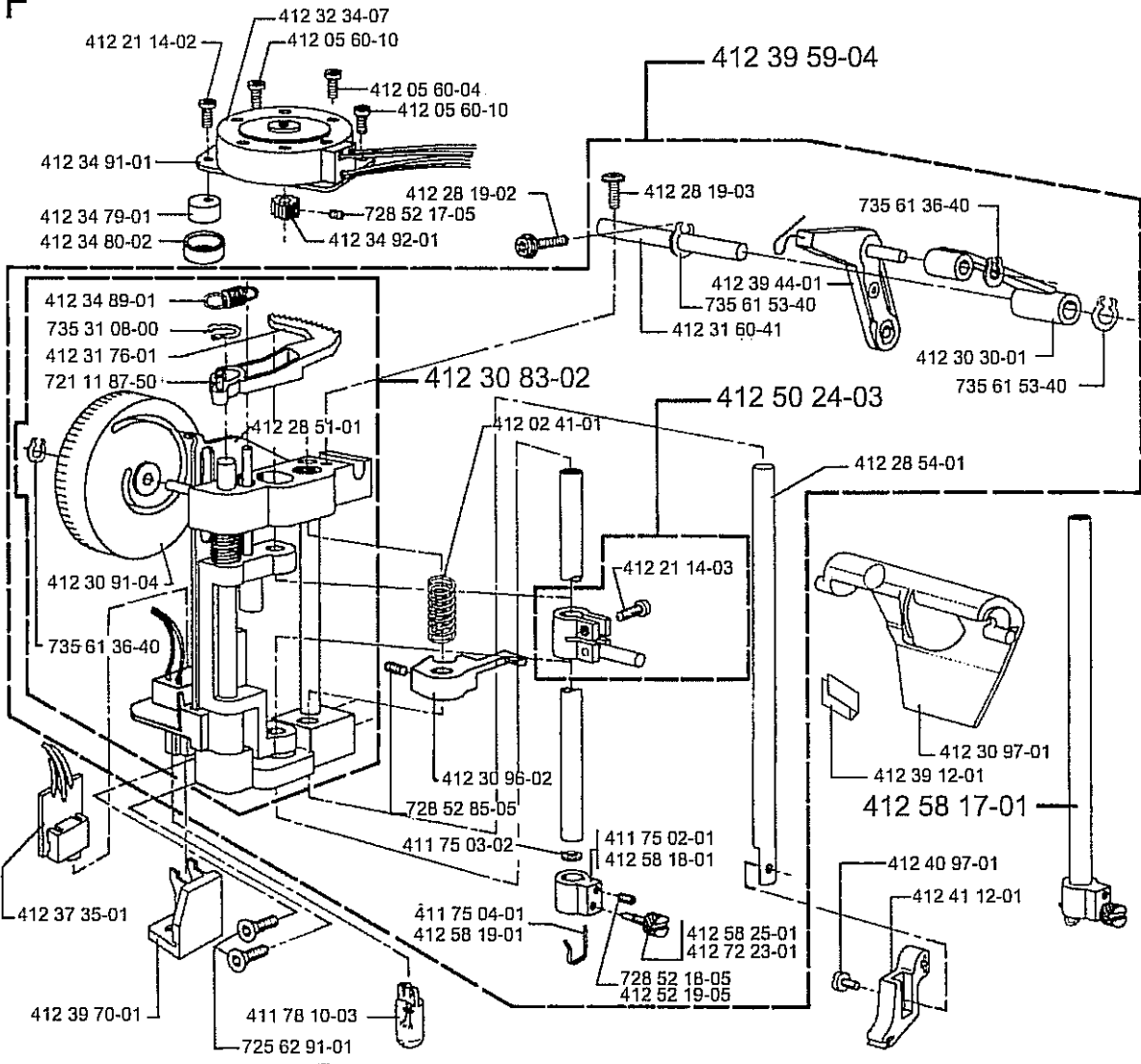


E

FEEDING STEP
MOTOR MECH

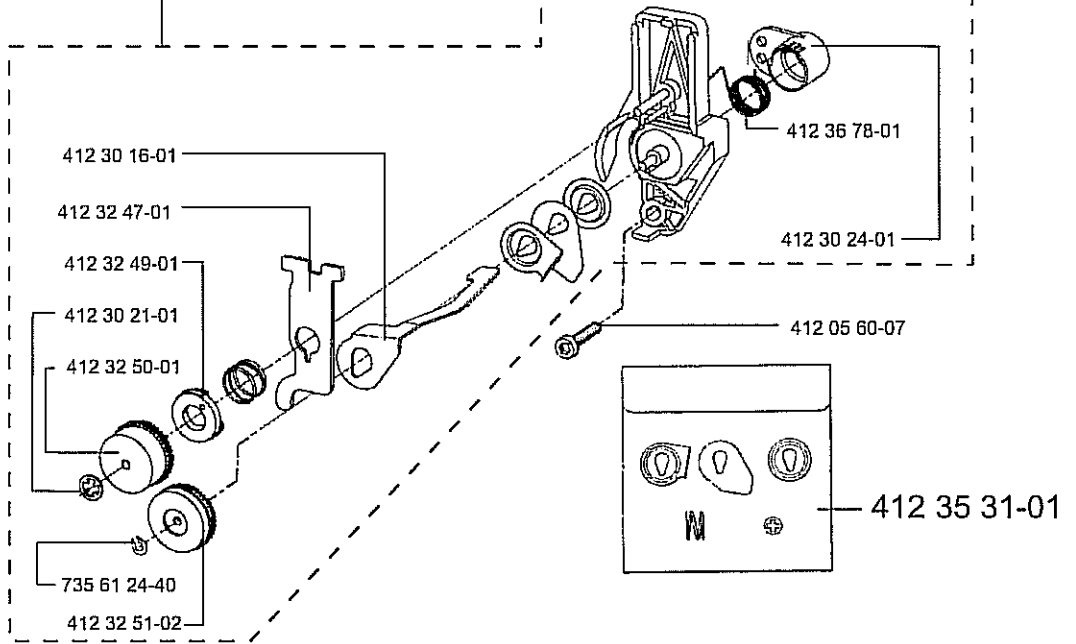


F



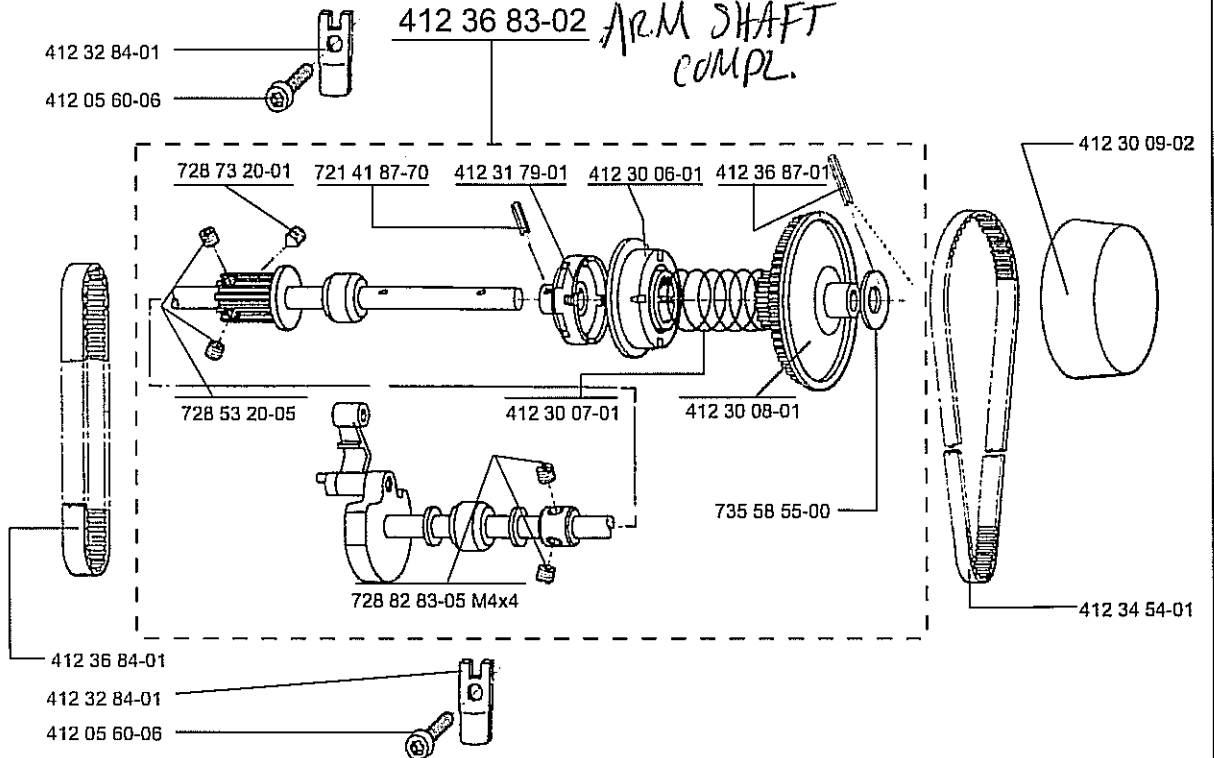
G

412 32 45-03 **THREAD TENSION
DEVICE COMPL.**



H

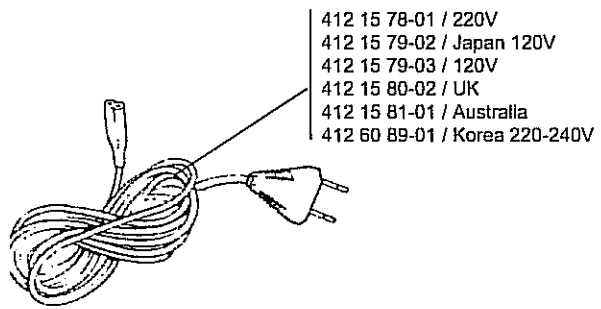
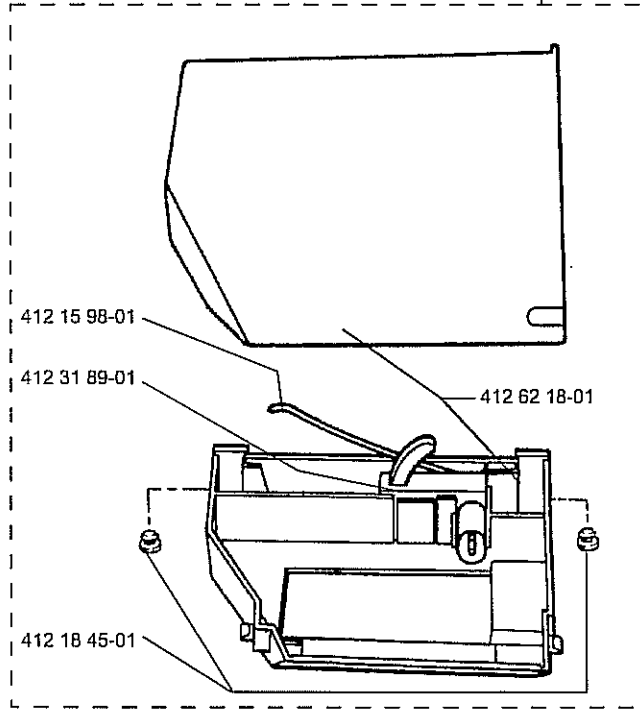
412 36 83-02 **ARM SHAFT
COMPL.**



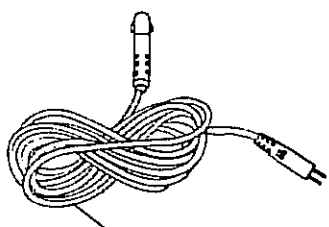
J

FOOT CONTROL
SEWING
SERIES

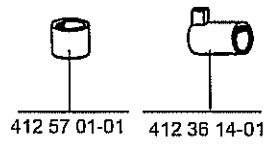
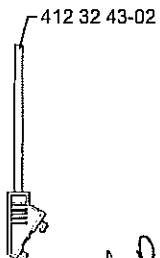
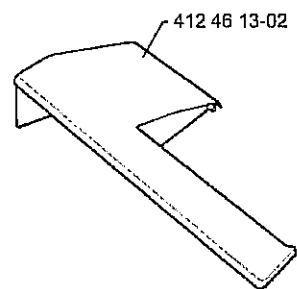
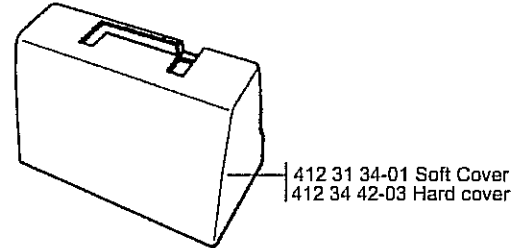
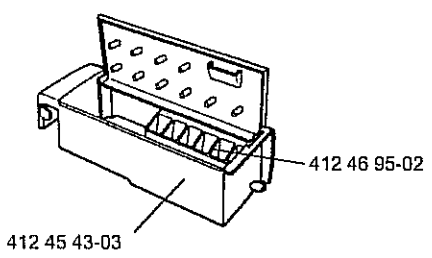
412 31 41-02



- 412 15 78-01 / 220V
- 412 15 79-02 / Japan 120V
- 412 15 79-03 / 120V
- 412 15 80-02 / UK
- 412 15 81-01 / Australia
- 412 60 89-01 / Korea 220-240V



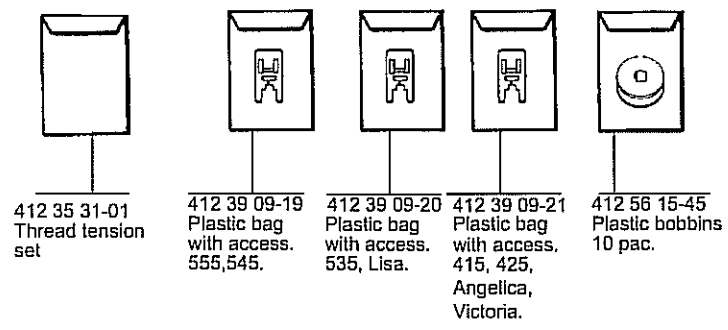
- 412 31 44-01 / Standard
- 412 31 44-02 / USA , Canada



*Thread Reel Pen
aka Spool Pen*

ACCESSORIES

OPERATING MANUALS



412 35 31-01
Thread tension
set

412 39 09-19
Plastic bag
with access.
555,545.

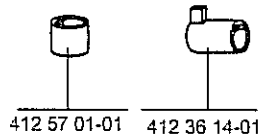
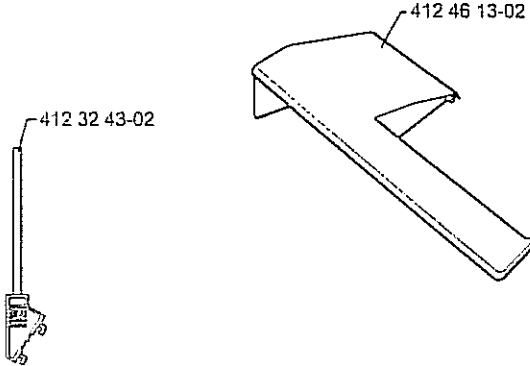
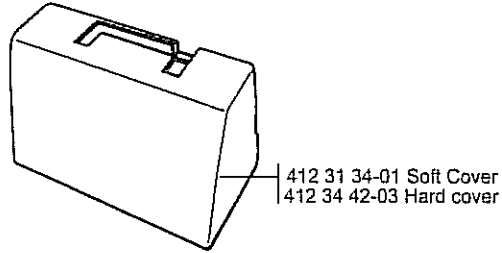
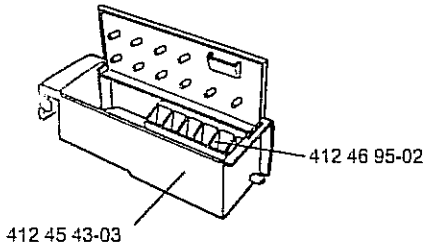
412 39 09-20
Plastic bag
with access.
535, Lisa.

412 39 09-21
Plastic bag
with access.
415, 425,
Angelica,
Victoria.

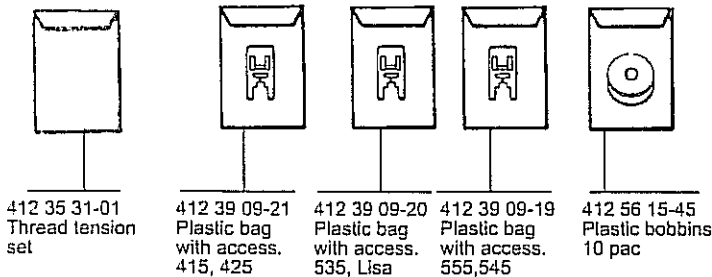
412 56 15-45
Plastic bobbins
10 pac.

Accessory User Guide
Zig Zag
User Guide

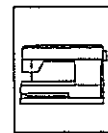
Victoria K₀



ACCESSORIES



OPERATING MANUALS



ClearPlate
Needles
Screwdriver
Bulb Extractor

Seam Ripper
Lint Brush
~~brush~~
Spool Pin

Stitch Plate OP
Bobbins 5
B FOOT
C FOOT
D FOOT
E FOOT
J FOOT