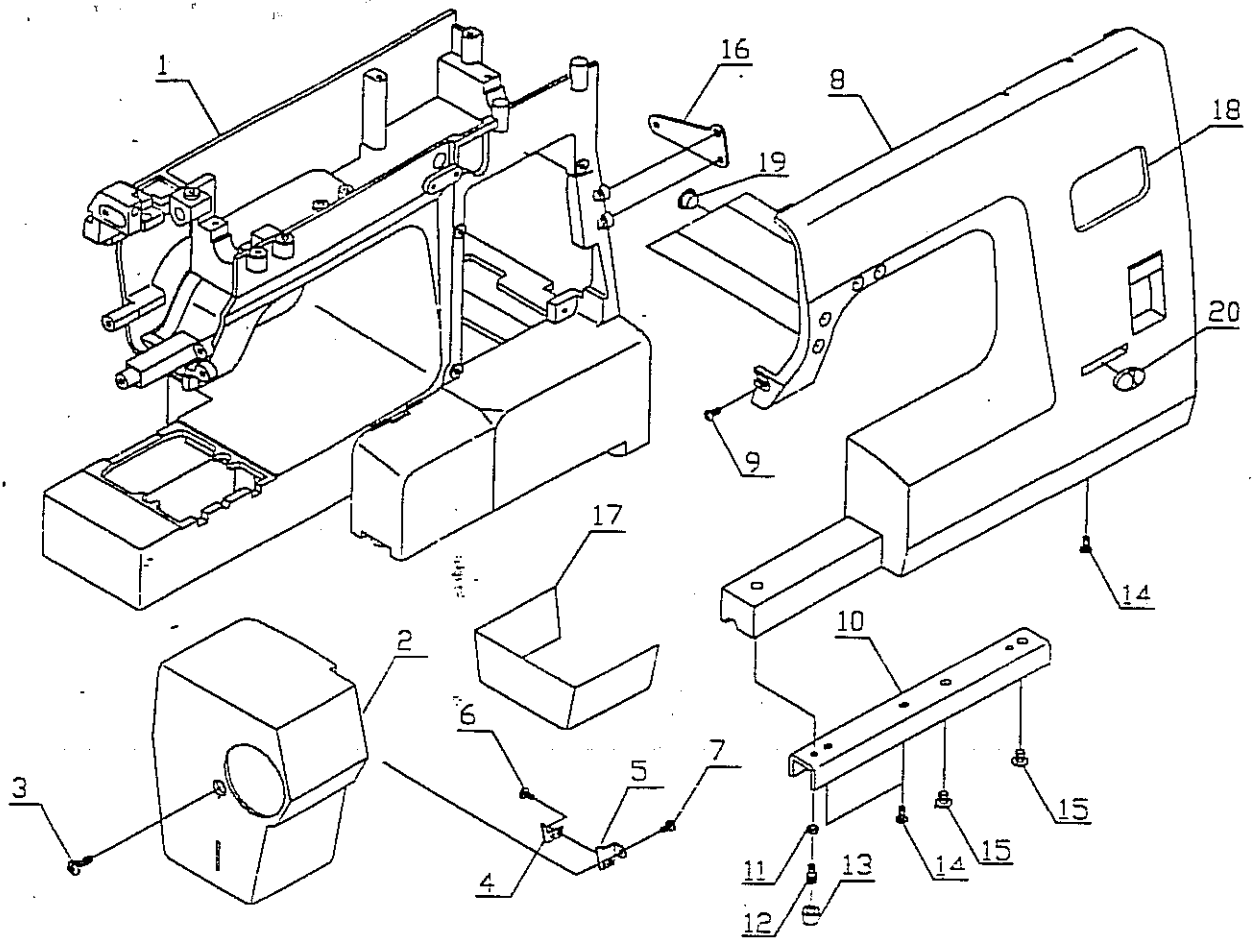


PRICE LISTS

For

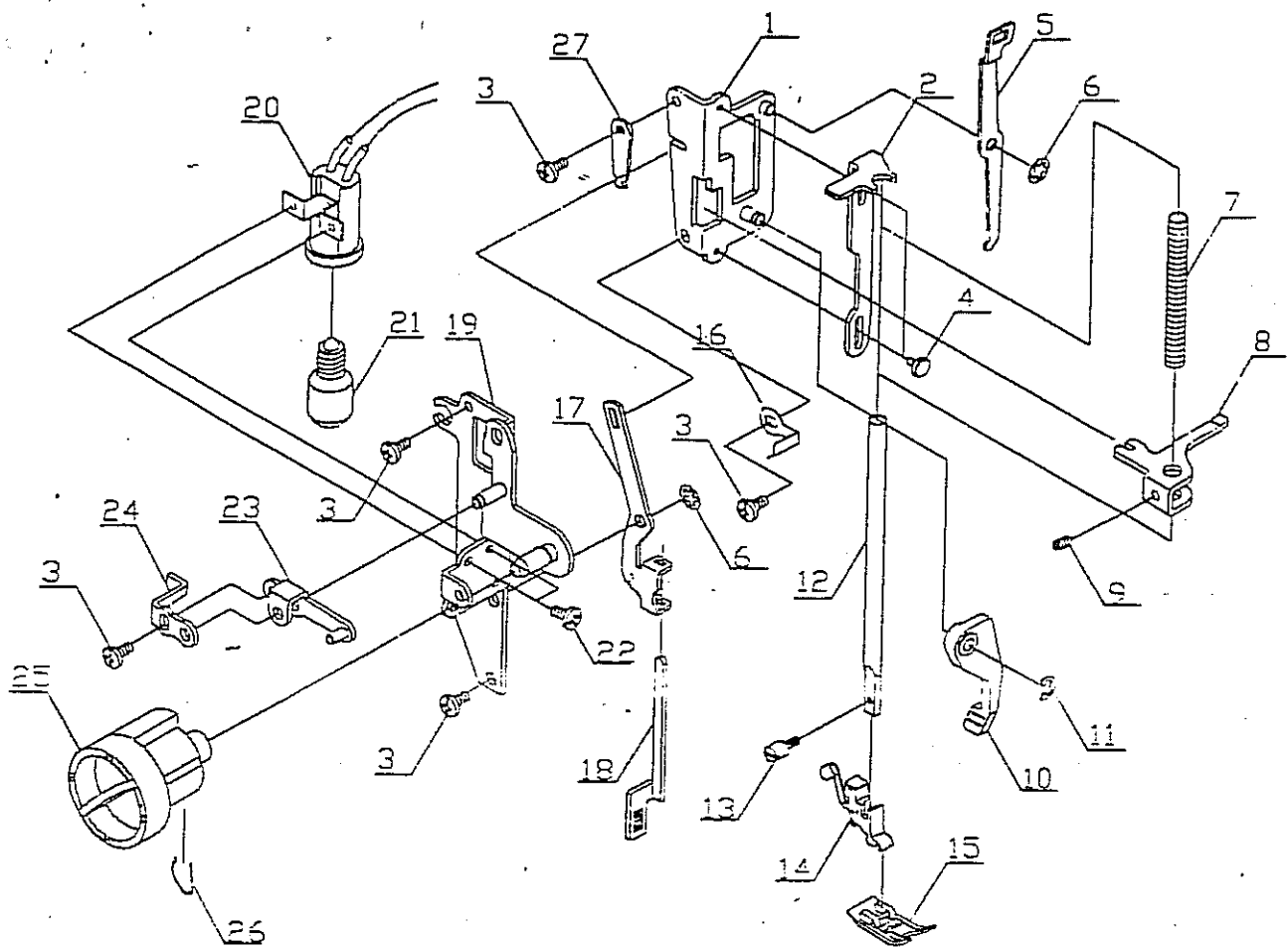
MODEL 2999

*926ED



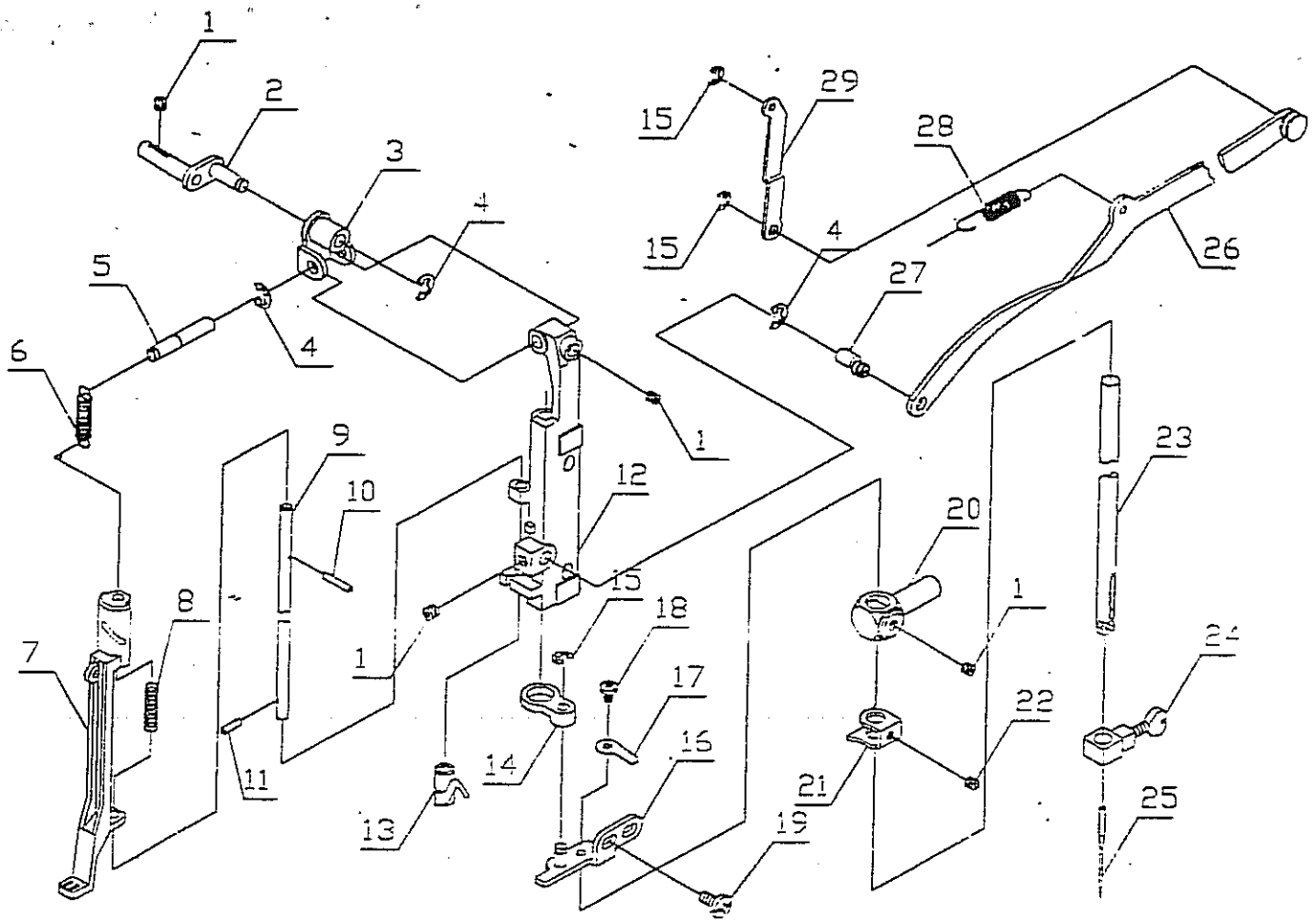
01/13

Key	Parts No	Name of Parts	Key	Price	Name of Parts
1	986001	Arm		USD 8.48	
2	986202	Face plate		0.66	
3	000 081 706	+ binding head screw 4*14(cr)		0.01	
4	986005	Cutter (1)		0.14	
5	986006	Cutter (2)		0.10	
6	000 082 408	+ binding head screw 3*6		0.007	
7	000 087 908	T screw 3*8		0.01	
8	986201001	Face cover(LCD)		1.48 (w/o PRINT)	
9	000 082 202	+ binding head screw 3.5*8		0.01	
10	986127	Detachable foot		0.28	
11	000 010 003	Rapid nut M4*0.7		0.04	
12	730158	Rubber cushion screw		0.05	
13	730157	Rubber cushion		0.01	
14	000 087 104	T screw 3.5*8		0.01	
15	000 083 409	+ Pan head screw 5*10		0.01	
16	986126	Motor cover set plate		0.13	
17	986143	Face plate heat isolation		0.10	
18	986250	Magnify		0.06 (w/o PRINT)	
19	Y-168038	Button		0.01	
20	N10.101231	Speed controller		0.02	



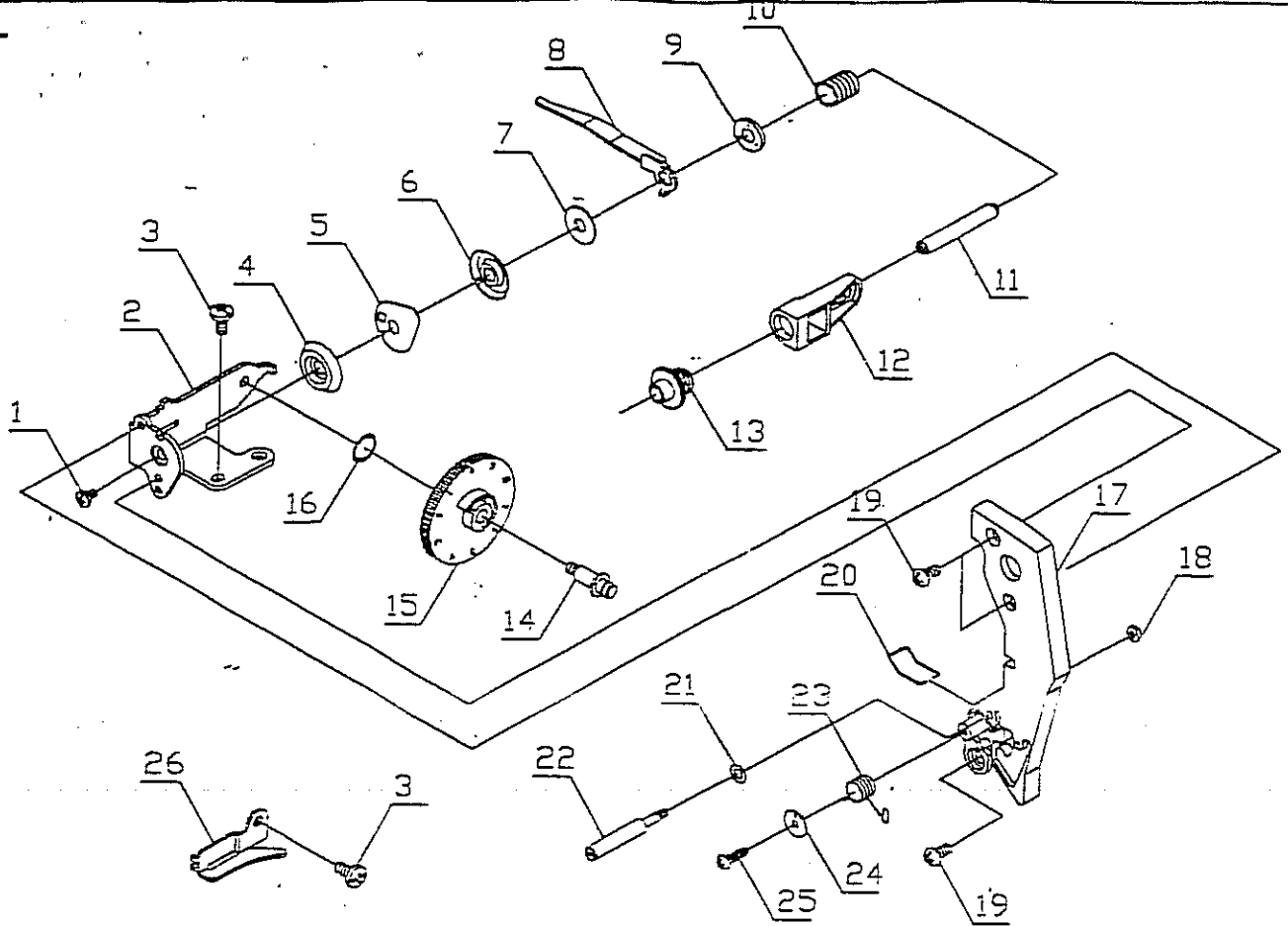
03/13

Key	Parts No	Name of Parts	Key	Price	Name of Parts
1	986020	Presser bar lifter base		USD 0.47	
2	986021	Presser regulate rod			
3	000 081 407	Binding head screw 4*8		0.004	
4	986022	Pin			
5	986023	Release lever		0.06	
6	000 002 002	Snap ring CS-5		0.004	
7	986024	Presser bar spring		0.02	
8	986025	Presser bar guide bracket		0.12	
9	000 079 402	Hexagon socket screw 4*8		0.01	
10	730119	Presser bar lifter		0.05	
11	000 001 207	Snap ring E-4		0.002	
12	986026	Presser bar		0.26	
13	270024003	Presser foot thumb screw		0.05	
14	168505	Presser foot holder		0.45	
15		Presser foot			
16	986027	BH connecting rod shrapnel		0.07	
17	986028	BH connecting crank		0.32	
18	986029	BH connecting rod			
19	986030	Lamp socket bracket		0.60	
20	F-320-009	Lamp socket plate unit(120v)		0.55	
21	000101001	Light bulb(120v)		0.12	
22	000 080 901	Flat head screw 3*6		0.004	
23	986033	Presser regulate crank (A)		0.09	
24	986034	Presser regulate crank (B)		0.05	
25	986031	Presser regulate dial		0.06+0.06(print)	
26	986032	Presser regulate dial spring		0.02	
27	730118	Feed lifting spring bracket		0.07	



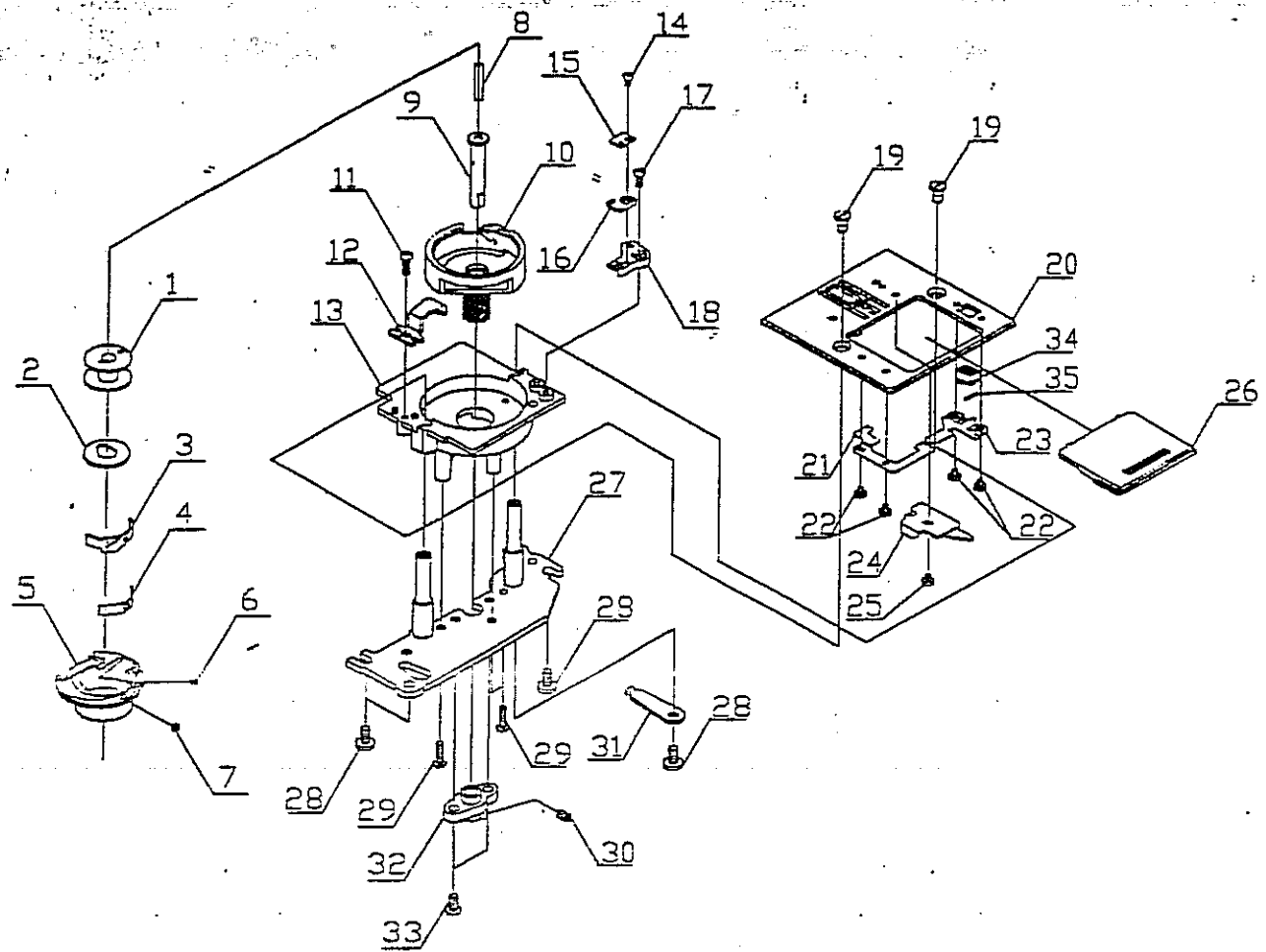
05/13

Key	Parts No	Name of Parts	Key	Price	Name of Parts
1	000 079103	Hexagon socket screw 4*4		0.400.0	
2	986051	Needle bar crank supporter shaft		0.12	
3	986050	Needle bar crank supporter		0.09	
4	000 001 207	Snap ring E-4		0.002	
5	730096	Needle bar crank pin		0.05	
6	730102	Through thread body spring		0.03	
7	986054	Through thread body		0.13	
8	730103	Through thread bar spring		0.01	
9	986055	Through thread bar		0.27	
10	000 006 914	Spring pin 2*12		0.02	
11	000 006 811	Spring pin 2*8		0.02	
12	986052	Needle bar crank		0.90	
13	270030 002	Lead thread body		0.44	
14	986056	Needle bar lead plate		0.04	
15	000 001 104	Snap ring E-3		0.002	
16	986057	Needle bar lead base		0.10	
17	730099	Needle bar crank stop plate		0.06	
18	000 082 408	+binding head screw 3*6		0.003	
19	000 081 407	+binding head screw 4*8		0.004	
20	281 504 007	Needle bar bracket (special)		0.27	
21	270017 003	Through thread location plate		0.10	
22	000 079 000	Hexagon socket screw 3*4		0.01	
23	986053	Needle bar		0.34	
24	730502	Needle clamp		0.25	
25	000 201 209	Needle		0.08	
26	986058	Zigzag lever		0.29	
27	730078	Zigzag eccentric pin		0.10	
28	730187	Needle bar crank spring		0.03	
29	986059	Zigzag regulate lever		0.06	



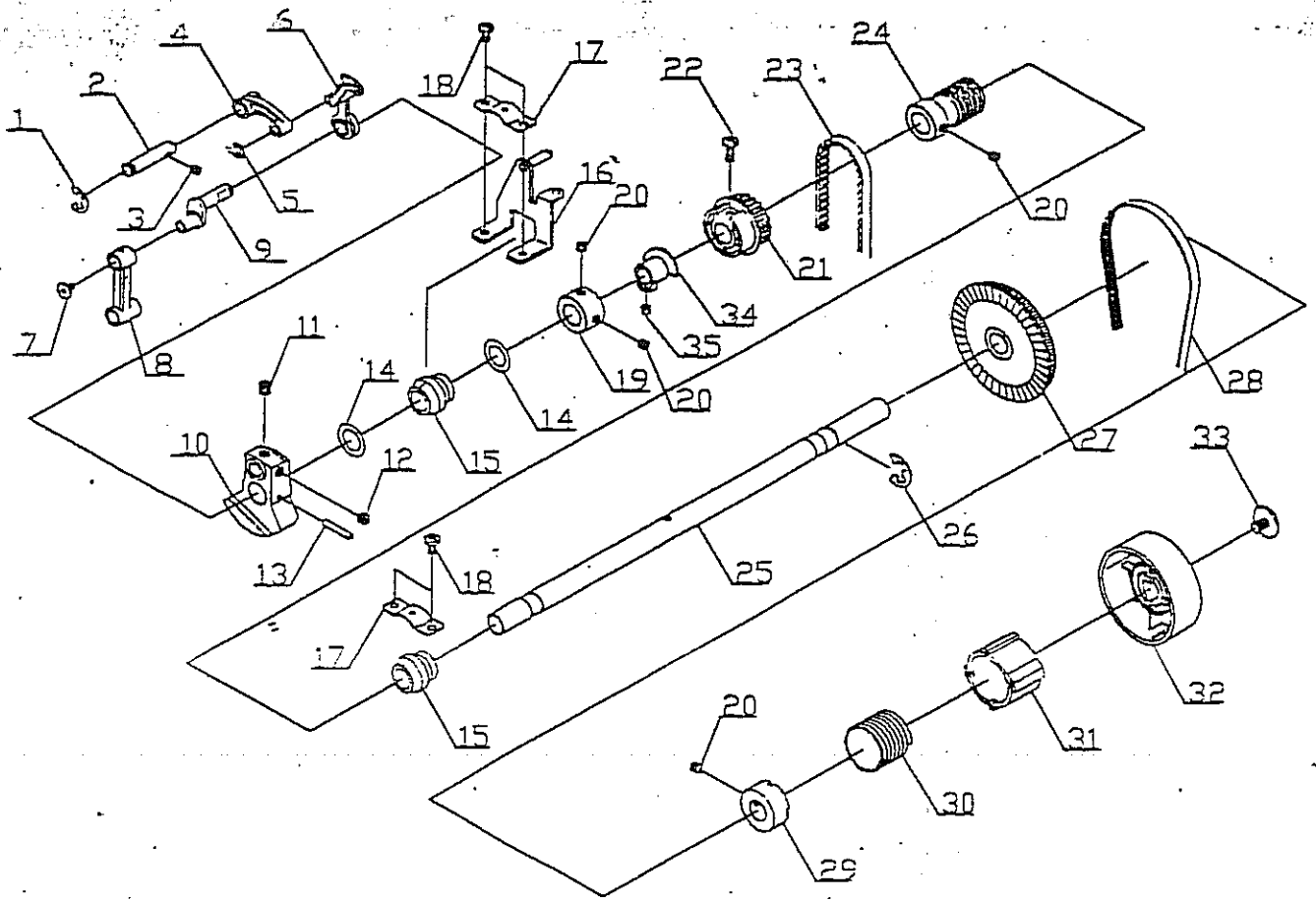
05/13

Key	Parts No	Name of Parts	Key	Price	Name of Parts
1	000 082 408	+ binding head screw 3*6		USD 0.003	
2	986045	Thread regulator base		0.25	
3	000 081 407	+ binding head screw 4*8		0.004	
4	868050	Thread tension regulate flat(l)		0.10	
5	868059	Middle plate		0.08	
6	868050	Thread tension regulate flat(r)		0.10	
7	868138	Washer 5.6*15*1		0.01	
8	730110	Thread tension connecting plate		0.07	
9	868113	Spring set position plate		0.04	
10	868115	Thread tension regulate spring		0.07	
11	868116	Thread tension regulate base shaft		0.07	
12	730023	Thread tension regulate plate		0.08	
13	868118	Elastic regulate		0.14	
14	730197	Thread tension regulate shaft		0.11	
15	868114	Thread tension regulate dial		0.12	
16	868234	Corrugated washer 9 m/m		0.01	
17	986204	Threading guide		0.02	
18	000 071 002	Hexagon nut 3-3-5.5		0.003	
19	000 084 400	+ Pan head screw 4*8		0.01	
20	868057	Thread guide spring		0.02	
21	000 012 200	Plain washer 4*7*0.4		0.01	
22	730019	Threading guide shaft		0.06	
23	730105	Thread taken-up spring		0.04	
24	986048	Spring set plate		0.02	
25	000 087 012	T screw 3*8		0.01	
26	986048	Threading guide		0.02	



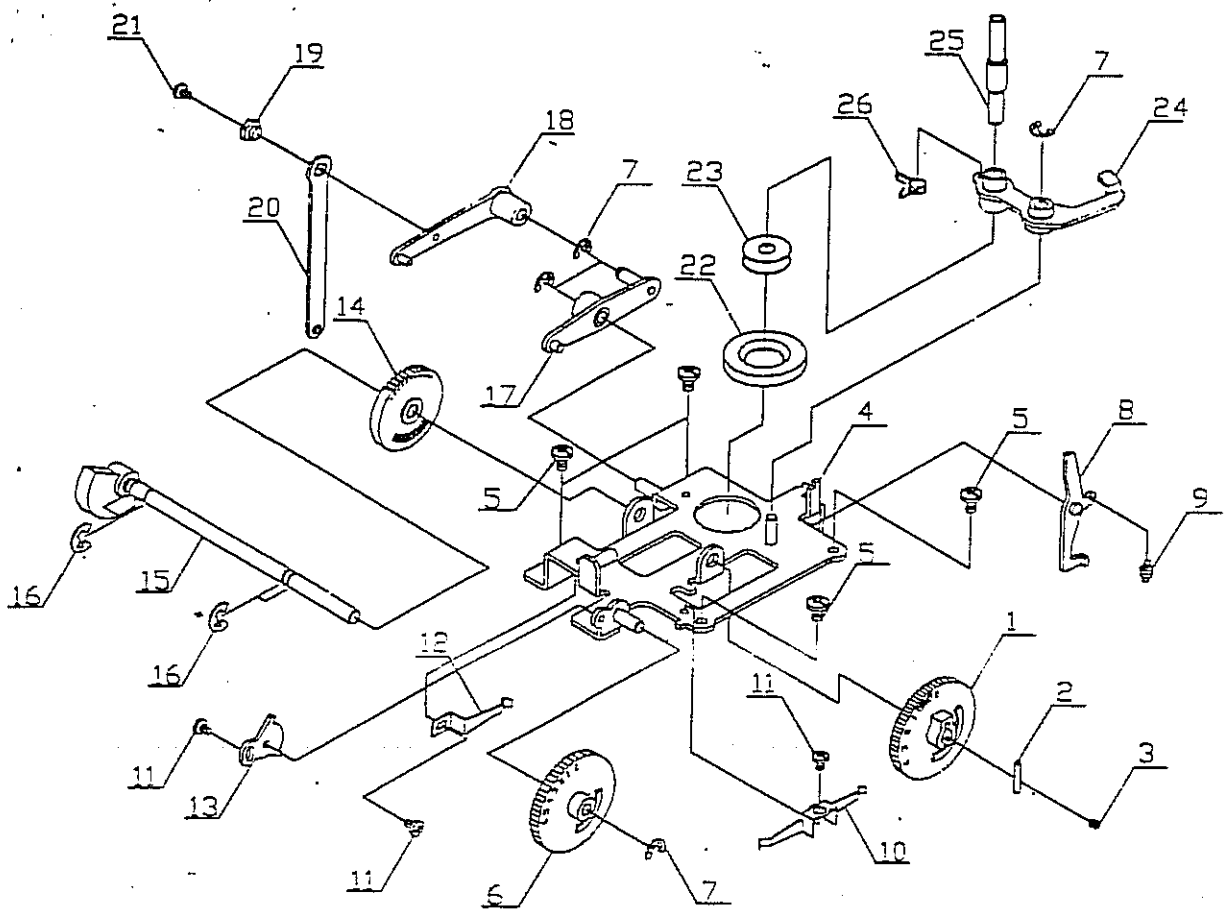
07/13

Key	Parts No	Name of Parts	Key	Parts No	Name of Parts
1	218023	Bobbin	30	000 079206	Hexagon socket screw 4*6
2	730 155	Bobbin case magnet	31	730118	Feed lifting spring bracket
3	730 024	Bobbin regulate plate	32	730141	Hook race set body
4	730 025	Bobbin regulate spring	33	000 084400	+ Pan head screw 4*8
5	730 149	Bobbin case	34	760005	Slide plate spring
6	730 173	Regulate screw (2)	35	760004	Switch
7	730 172	Regulate screw (1)			
8	730 168	oil core		price	
9	730 143	Hook race shaft	1	0.50	0.03
10	730 144	Hook race	2	0.07	0.08
11	000 087 012	T screw 3*8	3		0.03
12	730 150	Bobbin case set stop plate	4		0.09
13	730 142	Hook race cover	5	0.47	0.40
14	730 176	T screw 2.6*6	6		0.004
15	730 153	Stop shrapnel holder	7		0.01
16	730 152	Bobbin case stop shrapnel	8	0.02	0.01
17	000 087 001	+ Pan head T screw 3*8	9	0.24	0.07
18	168109	Stop shrapnel base	10	3.71	0.14
19	266017000	Flat head set screw	11	0.01	0.01
20	Y-168032	Needle plate	12	0.06	0.06
21	760002	Slide plate shrapnel (Left)	13	0.13	0.01
22	730175	Set screw (Slide shrapnel)	14	0.004	
23	760001	Slide plate shrapnel (Right)	15	0.07	
24	730151	Bobbin case stop plate	16	0.07	
25	730175	Set screw (Bobbin case stop plate)	17	0.003	
26	760003	Slide plate	18	0.11	
27	730 140	Hook race base	19	0.01	
28	000 081 407	+ binding head screw 4*8	20	0.63	
29	000 087 300	+ Pan head T screw 3*12	21	0.07	
			22	0.03	



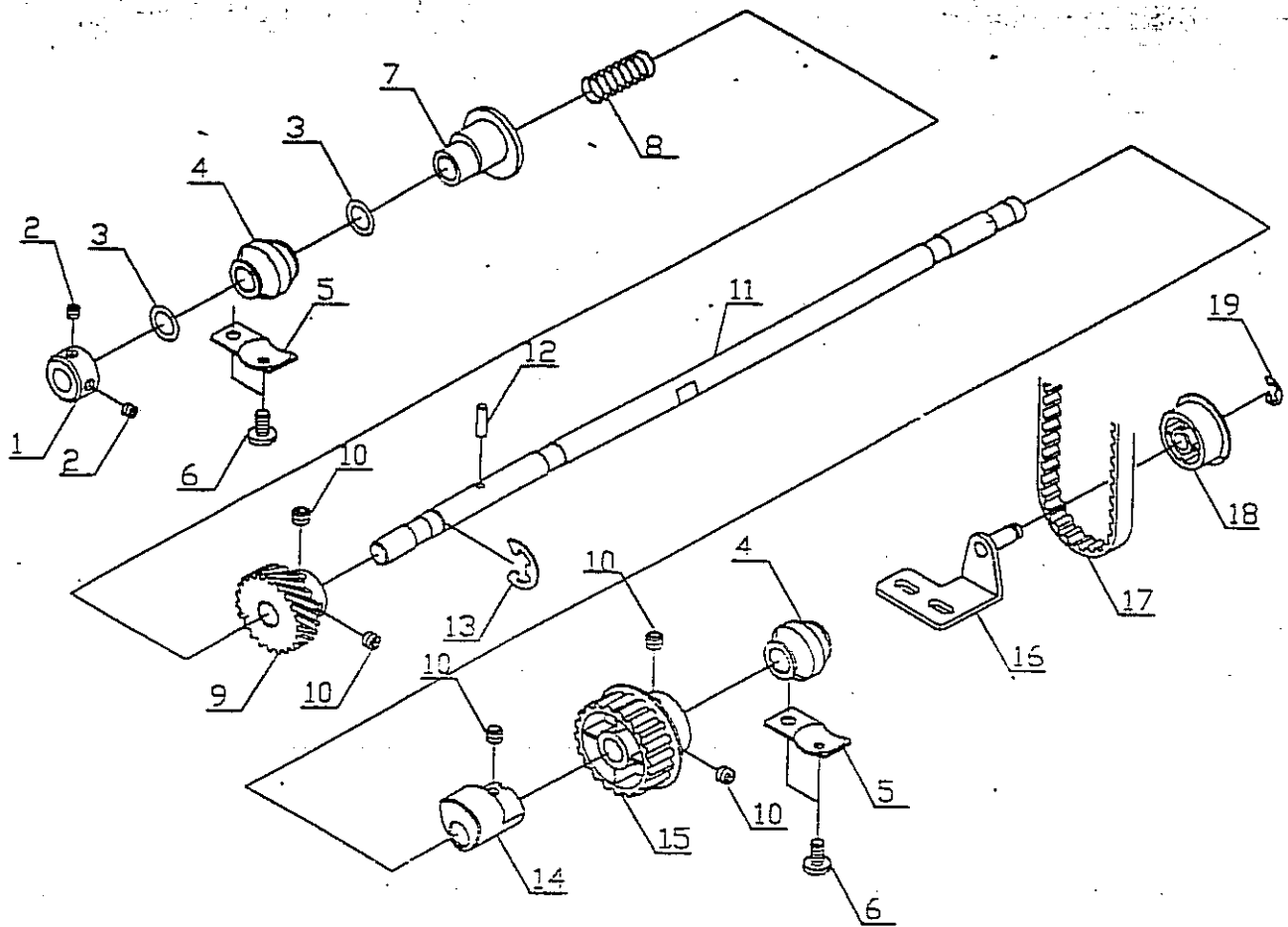
08/13

Key	Parts No	Name of Parts	Key	Parts No	Name of Parts			
1			30	868031	Clutch spring			
2			31	868030	Clutch			
3			32	868025004	Hand wheel			
4	986637	Thread take-up complete	33	868024	Stop motor large screw			
5			34	730309	Stop cam			
6			35	000079206	Hexagon socket screw 4*5			
7								
8	281146005	Needle bar connecting rod		Price	1	23	0.82	
9	730098	Needle bar crank pin			2	24	0.66	
10	321031004	Thread take-up crank			3	25	0.75	
11	574057006	Set screw SM15/64-28*4			4	USD 1.29	26	0.01
12	101040008	Set screw SM15/64-28*6.5			5		27	0.43
13	000006408	Spring pin 3*20			6		28	1.25
14	000001310	Thrust washer 13*20*0.25			7		29	0.16
15	868003	Upper shaft bushing			8		30	0.09
16	986061	Handle bracket			9	0.78	31	0.11
17	868004	Bushing plate			10	0.32	32	0.20
18	000081407	+blinding head screw 4*8			11	0.01	33	0.12
19	321032005	Upper shaft ring			12	0.01	34	0.06
20	000079309	Hexagon socket screw 5*5			13	0.01	35	0.01
21	730079	Timing belt A			14	0.07		
22	000081706	+blinding head screw 4*14			15	0.11		
23	000092906	Timing belt (184*L)			16	0.20		
24	868005	Upper shaft worm			17	0.06		
25	986060	Upper shaft			18	0.004		
26	000001610	Snap ring E-10			19	0.14		
27	868184	Pulley ring			20	0.01		
28	000092009	Motor belt (506-2GT)			21	0.13		
29	868032	Hand wheel bushing			22	0.01		

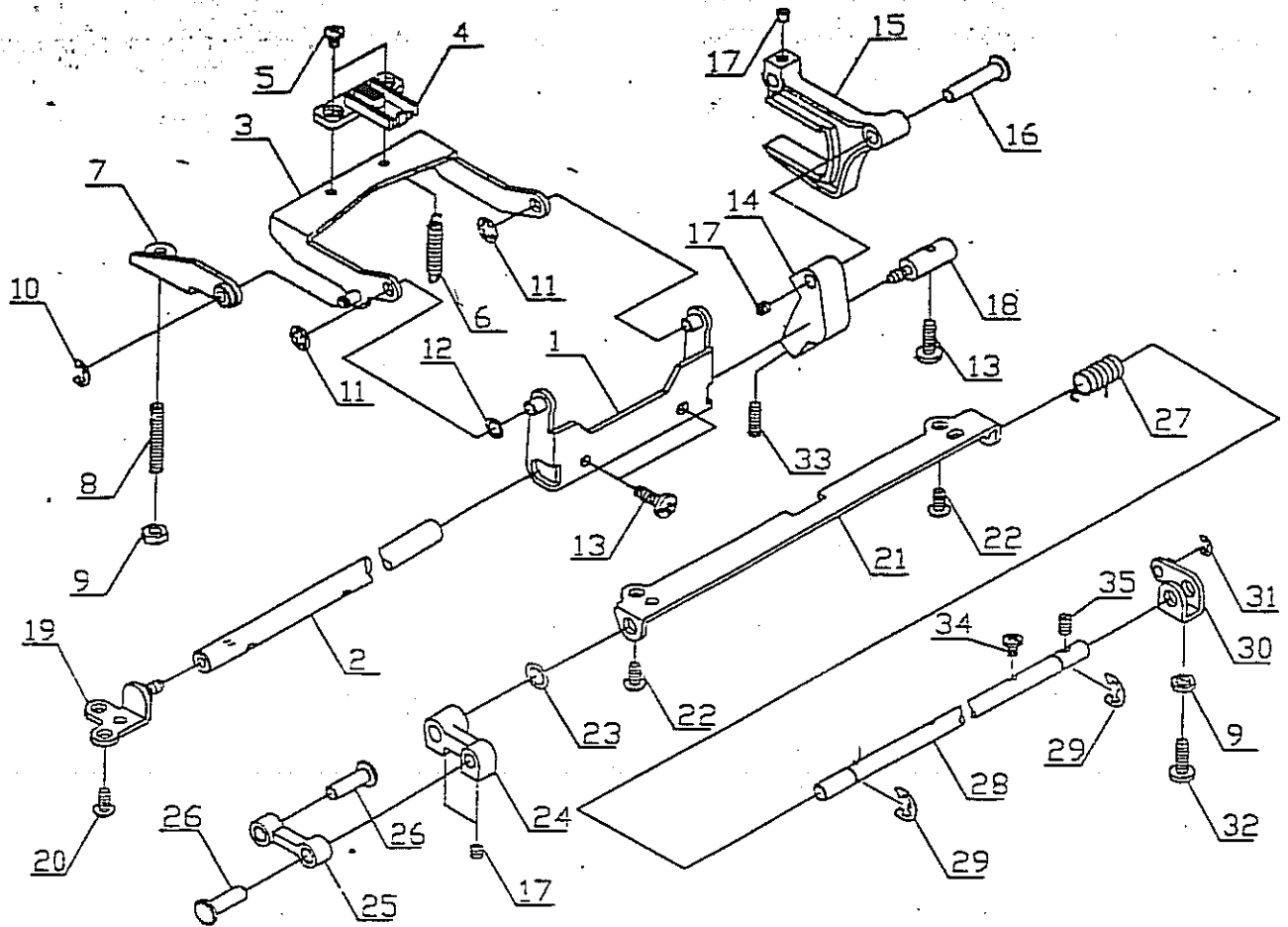


09/13

Key	Parts No	Name of Parts	Key	Price	Name of Parts
1	986067	Feed regulate dial		USD0.15 (w/b PRINT)	
2	730111	Pin		0.02	
3	000 079 000	Hexagon socket screw 3*4		0.01	
4	986064 986063	Regulate dial plate 9862/3		0.97	
5	000 081 407	+binding head screw 4*8		0.004	
6	986072	Ziazac regulate dial		0.13	
7	000 001 207	Snap ring E-4		0.002	
8	986063	Clutch rod			
9	730037	Clutch rod spring		0.03	
10	986074	Ziazac shrapnel		0.12	
11	266009 009	Screw M3*0.5*6		0.01	
12	986068	BH regulate dial shrapnel		0.05	
13	986073	Ziazac dial stop plate		0.04	
14	986066	BH regulate dial		0.06	
15	986065	Feed regulate cam		0.20	
16	000 001 300	Snap ring E-5		0.003	
17	986069	BH regulate dial shrapnel		0.18	
18	986071	Feed regulate crank		0.18	
19	986149	Regulate nut		0.11	
20	986091	Feed rod (B)		0.11	
21	000 082 408	+binding head screw 3*6		0.003	
22	266033 008	Bobbin winder felly		0.04	
23	266032 007	Bobbin winder base		0.03	
24	730027	Bobbin winder crank		0.25	
25	986062	Bobbin winder shaft		0.16	
26	360046 003	Bobbin winder crank spring		0.07	

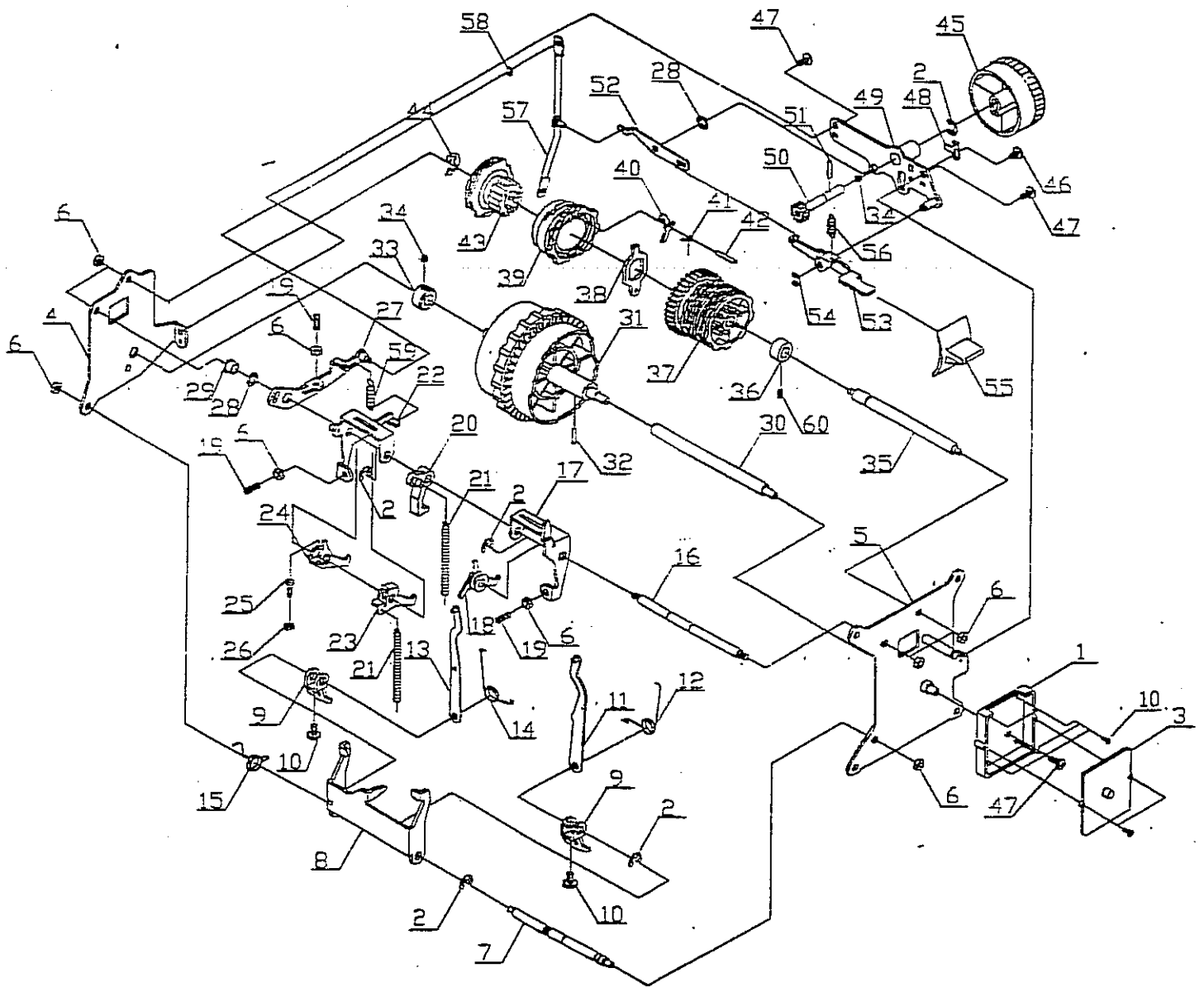


Key	Parts No	Name of Parts	Key	Price	Name of Parts
1	730122	Lower shaft ring		USD 0.13	
2	000 079103	Hexagon socket screw 4*4		0.01	
3	000 013 430	Thrust washer 82*12*0.25		0.02	
4	730123	Lower shaft bushing		0.07	
5	730124	Lower shaft bushing plate		0.05	
6	000 081 407	± binding head screw 4*8		0.004	
7	730113	Feed lifting cam		0.07	
8	730115	Feed lifting connecting spring		0.01	
9	730121	Lower shaft gear		0.76	
10	000 079309	Hexagon socket screw 5*5		0.01	
11	986075	Lower shaft		0.98	
12	730116	Feed lifting cam pin		0.02	
13	000 001 505	Snap ring E-7		0.01	
14	730131	Feed rock cam		0.13	
15	730080	Timing gear B		0.26	
16	986138	Belt tension regulate wheel plate		0.09	
17	000 092906	Timing belt (184*L)		0.82	
18	730083	Belt tension regulate wheel		0.08	
19	000 001 207	Snap ring F-4		0.002	



11/13

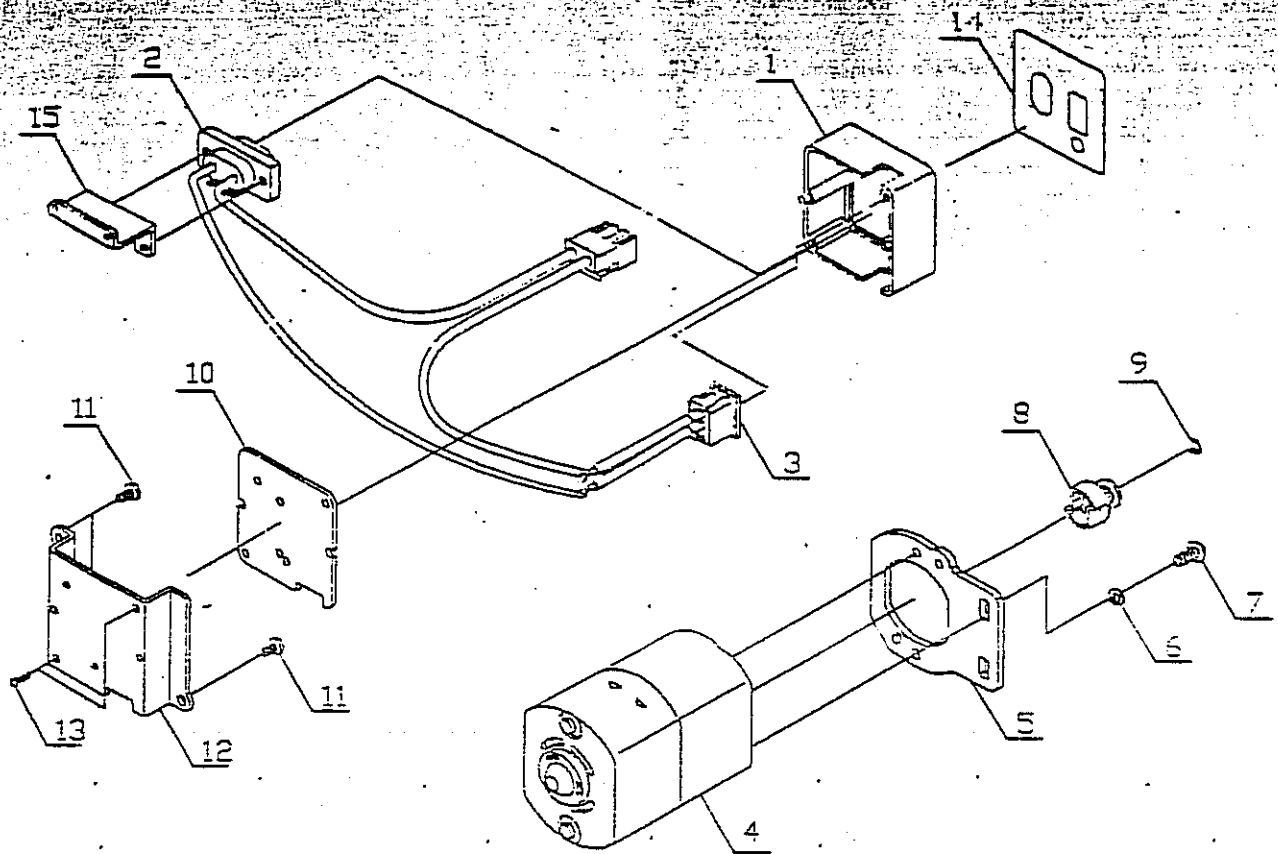
Key	Parts No	Name of Parts	Key	Parts No	Name of Parts	
1	730138	Feed dog base crank	30	986079	Feed regulate shaft crank	
2	986076	Feed rock shaft	31	000001300	Snap ring E-3	
3	1168105	Feed dog base	32	000084905	Hexagon socket screw 4*8	
4	1168100	Feed dog	33	000079309	Hexagon socket screw 5*5	
5	000083007	+binding head screw 3*5	34	000001300	+Pan head screw 4*4	
6	730139	Feed dog spring	35	730055	Feed regulate screw	
7	730117	Feed lifting crank				
8	730171	Screw		Price		
9	000071105	Hexagon socket nut M4*0.7	1	USD 0.21	23	0.02
10	000001104	Snap ring E-3	2	0.28	24	0.12
11	000002404	Snap ring CS-4.5	3	0.23	25	0.06
12	281040009	Plain washer 5.1*7.3*0.5	4	0.31	26	0.07
13	000081407	+binding head screw 4*12	5	0.003	27	0.03
14	730129	Feed rock crank	6	0.02	28	0.34
15	730107	Feed driving rod	7	0.13	29	0.003
16	730108	Feed driving rod shaft	8	0.04	30	0.07
17	000079103	Hexagon socket screw 4*4	9	0.003	31	0.003
18	730133	Feed rock shaft index pin	10	0.002	32	0.004
19	730132	Feed rock shaft index pin base	11	0.01	33	0.01
20	000084400	+Pan head screw 4*8	12	0.01	34	0.003
21	986077	Feed regulate shaft base	13	0.004	35	0.04
22	000081407	+binding head screw 4*8	14	0.16		
23	000013017	Thrust washer 6.2*9.5*0.13	15	0.39		
24	730048	Feed regulate crank	16	0.07		
25	730049	Feed regulate rod	17	0.01		
26	730052	Feed regulate set pin	18	0.13		
27	730053	Feed regulate spring	19	0.14		
28	986078	Feed regulate shaft	20	0.01		
29	000001300	Snap ring E-5	21	0.20		
			22	0.004		



	Price				
1	USD 0.08	26	0.003	51	0.02
2	0.003	27	0.05	52	0.07
3		28	0.01	53	0.17
4	0.27	29	0.03	54	0.002
5	0.31	30	0.11	55	0.07
6	0.007	31	0.59	56	0.02
7	0.19	32	0.02	57	0.18
8	0.19	33	0.13	58	0.002
9	0.10	34	0.01	59	0.02
10	0.003	35	0.19	60	0.01
11	0.14	36	X		
12	0.03	37	0.37		
13	0.14	38	0.13		
14	0.03	39	0.20		
15	0.02	40	0.06		
16	0.19	41	0.02		
17	0.23	42	0.01		
18	0.13	43	0.22		
19	0.003	44	0.01		
20	0.17	45	0.14		
21	0.03	46	0.003		
22	0.28	47	0.004		
23	0.10	48	0.05		
24	0.16	49	0.27		
25	0.03	50	0.20		

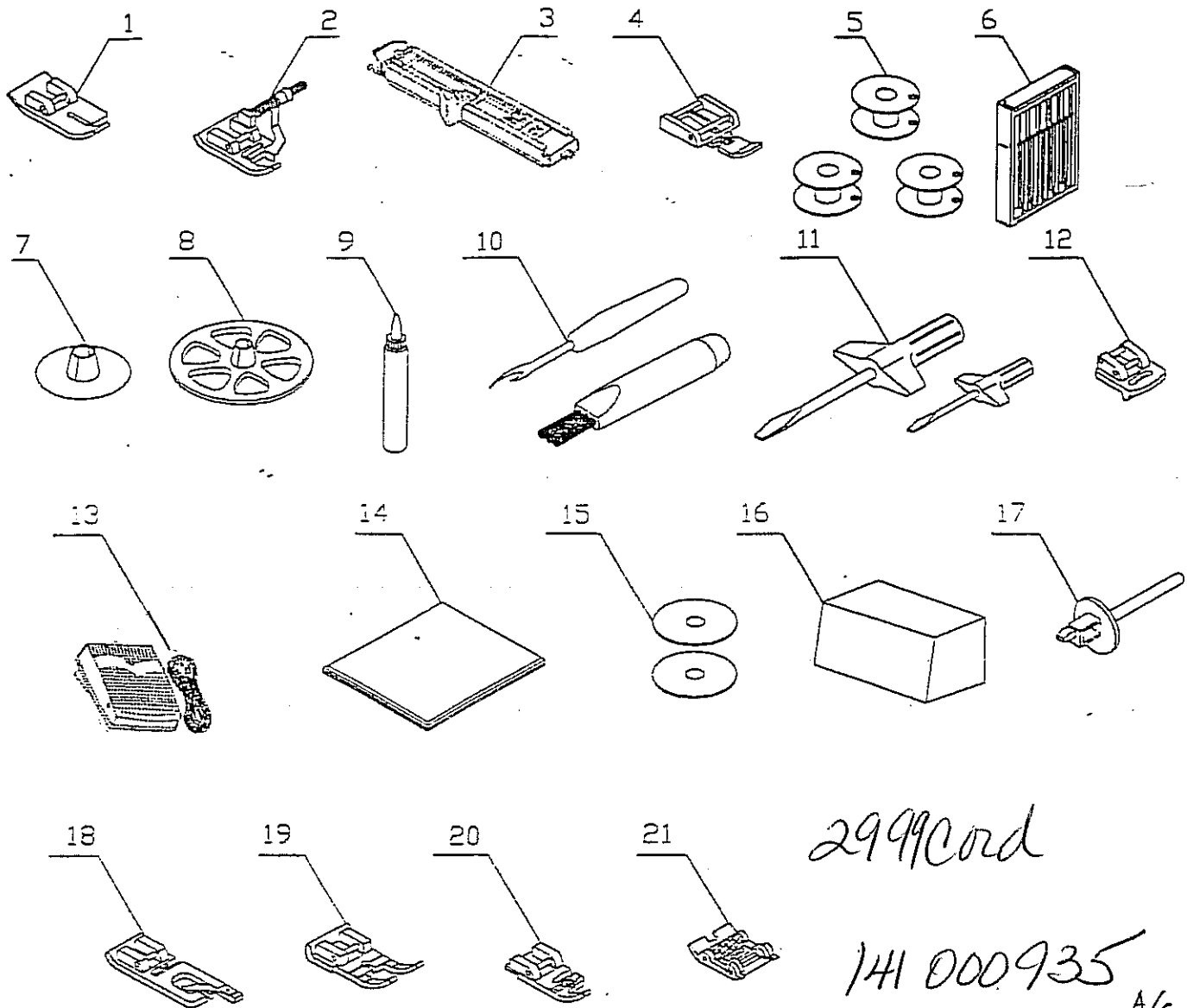
Word-12

Key	Parts No	Name of Parts	Key	Parts No	Name of Parts
1	986164	Pattern selection box	31	986119	Pattern selector cam
2	000 001 300	Snap ring E-5	32	000 006 914	Spring pin 3*12
3	986165	Pattern selection cover	33	730122	Shaft ring
4	986117	Base (back)	34	000 079103	Hexagon socket screw 4*4
5	986116	Base (Front)	35	986101	Pattern cam shaft
6	000 071 105	Hexagon nut 4-3-7	36		
7	986093	Control crank shaft	37	986102	Pattern cam (z)
8	986092	Control crank	38	986103	BH controller cam
9	986095	Pattern selector crank holder	39	986104	BH cam
10	000 082501	+ Pan head screw 3*8	40	986105	BH clutch
11	986096	Pattern selector crank (z)	41	986106	BH clutch spring
12	986098	Pattern selector crank spring	42	986107	BH clutch pin
13	986099	Pattern selector crank (F)	43	986108	Pattern cam (F)
14	986100	Pattern selector crank spring	44	000 001 505	Snap ring E-7
15	986094	Control crank spring	45	986112	Pattern selector dial
16	986080	Claw shaft	46	000 081 304	+ binding head screw 4*6
17	986081	Claw support bracket (z)	47	000 081 407	+ binding head screw 4*8
18	986082	Claw (z)	48	986115	Reverse regulate plate
19	000 071 105	Set screw 4*12	49	986109	Pattern selector plate
20	986083	BH claw (z)	50	986111	Pattern selector dial gear
21	986087	BH claw spring	51	730111	Pin
22	986084	Claw support bracket (F)	52	986110	Reverse crank (B)
23	986086	BH claw (Feed)	53	986113	Reverse crank (A)
24	986085	Claw (Feed)	54	000 001 207	Snap ring E-4
25	986129	Regulate screw	55	986114	Reverse dial
26	000 071 002	Hexagon nut 3-3-5.5	56	986139	Reverse dial spring
27	986088	Reverse crank	57	986070	Reverse rod (A)
28	000 002 301	Snap ring CS-4	58	000 001 104	Snap ring E-3
29	986089	Indicate plate	59	986090	Reverse crank spring
30	986118	Pattern selector cam shaft	60	000 079 000	Hexagon socket screw 3*4



Motor13/11

Key	Parts No	Name of Parts	Key	Price	Name of Parts
1	986124	Switch box cover		USD 0.10	
2	012 013 003	Terminal box			
3	S-868-001	UL switch		0.39	
4	3M-832BS	Motor (120V)			
5	986125	Motor base		0.22	
6	000 088002	Spring washer M5		0.003	
7	000 083409	+ Pan head screw 5*10		0.01	
8	868183	Motor driving gear		0.11	
9	000 001 104	Snap ring E-3		0.002	
10	986123	Insulation plate		0.09	
11	000 081 407	+ binding head screw 4*8		0.004	
12	986136	Switch box base		0.27	
13	000 087300	+ binding head T screw 3*12		0.009	
14	986150	Switch show plate		0.13	
15	860029	Terminal set plate		0.10	



2999cord

141 000935
A/c

Key	Parts No	Name of Parts	Key	Price	Name of Parts
1	321417008	Straight stitch foot		USD0.18	
2	321414005	Blind Hem foot		0.32	
3	986-8	Buttonhole foot		2.11	
4	321410001	Zipper foot		0.17	
5	218023	Bobbin		0.03	
6	321415006	Needles		0.06	
7	986014033	Spool pin cap (S)		0.04	
8	986013032	Spool pin cap (L)		0.07	
9	321405025	Oil		0.06	
10	321406015	BH Cutter & brush		0.12	
11	321403012	Screwdriver (L) & (S)		0.11	
12	101405	Gathering foot		0.29	
13	4C-33745	Foot control		4.24	141 000948
14	426000003L	Instruction book		1.17	
15	321402000	Felt		0.01	
16	IC-013	Soft cover		0.80	
17	986008	Spool pin		0.06	
18	101407	Roller foot		0.27	
19	101403	1/2" piecing foot		0.29	
20	101404	Cording foot		0.20	
21	101406	Roller Hem foot		0.20	

2777 - SewMaster

10000

011-886-42-471-1359

