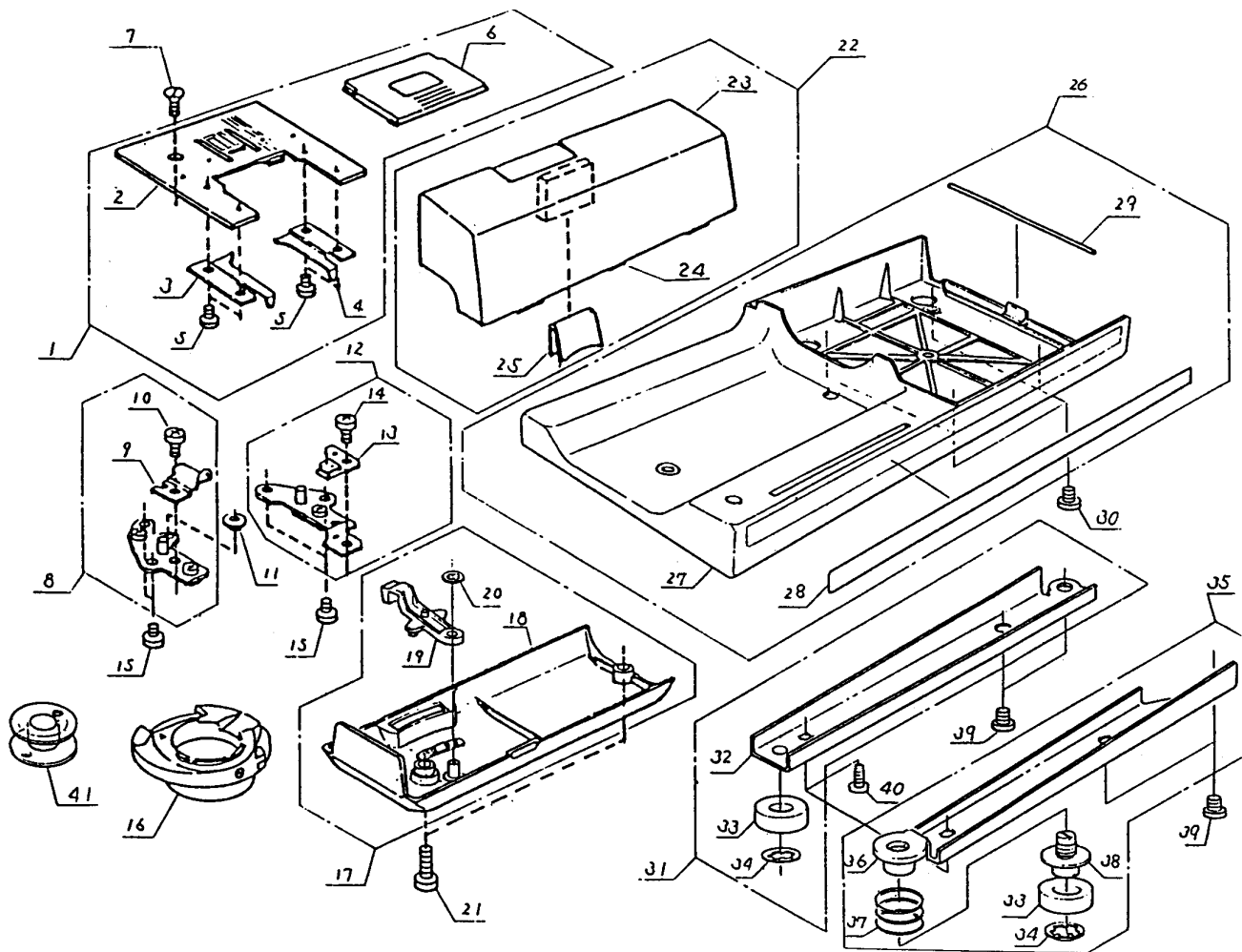


PARTS LIST

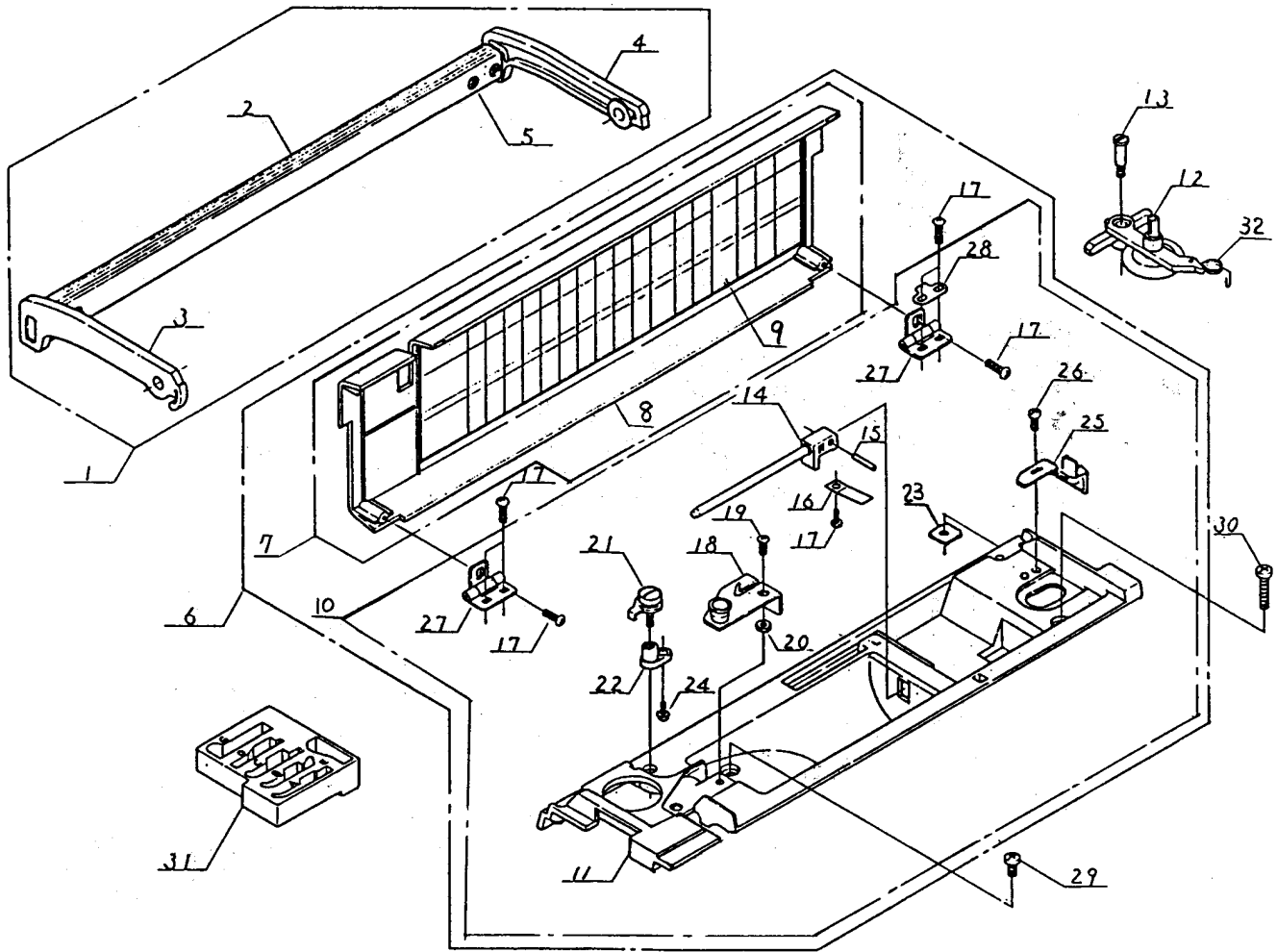
for Model

DX2030

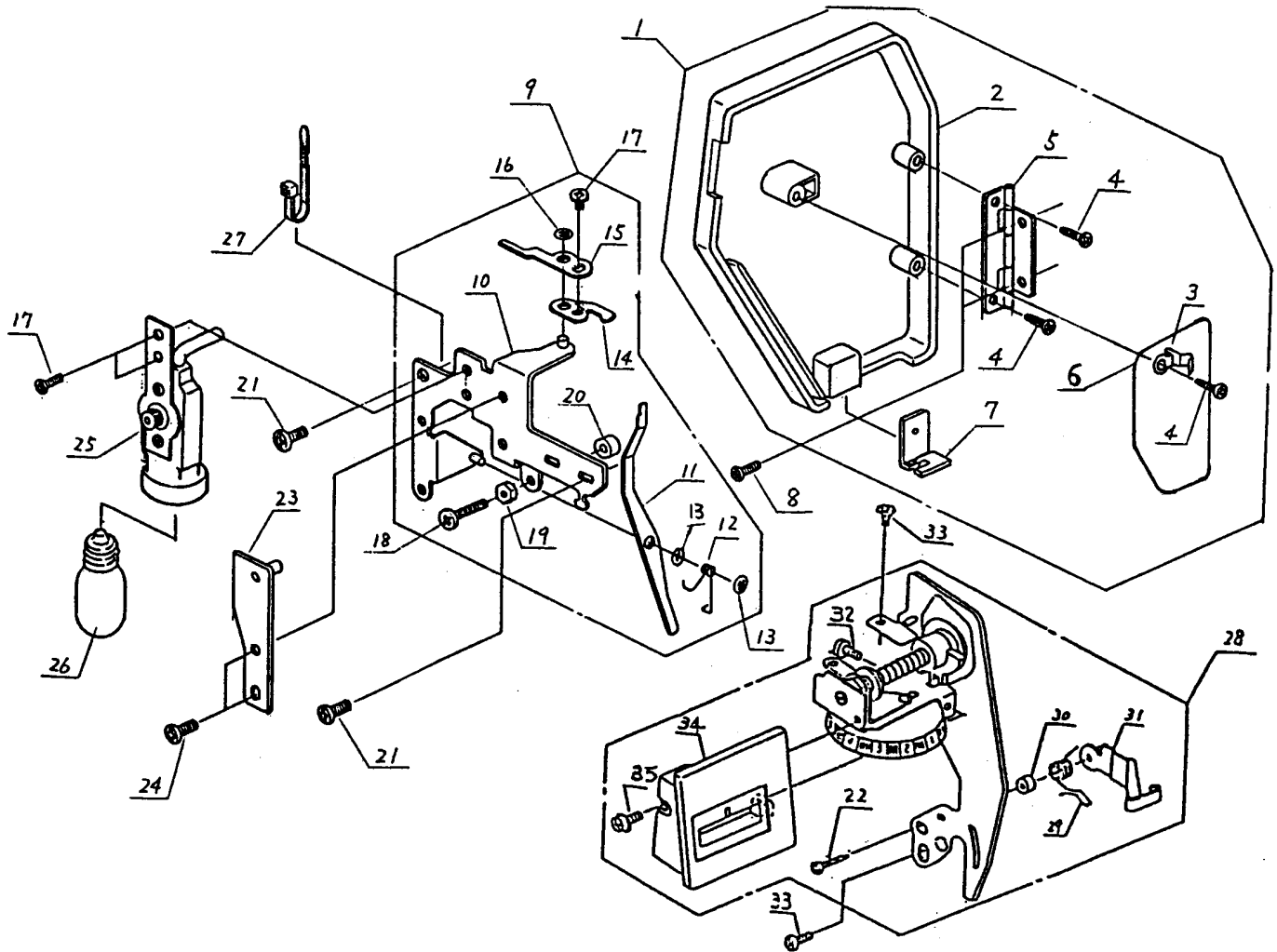
**Janome
New Home**



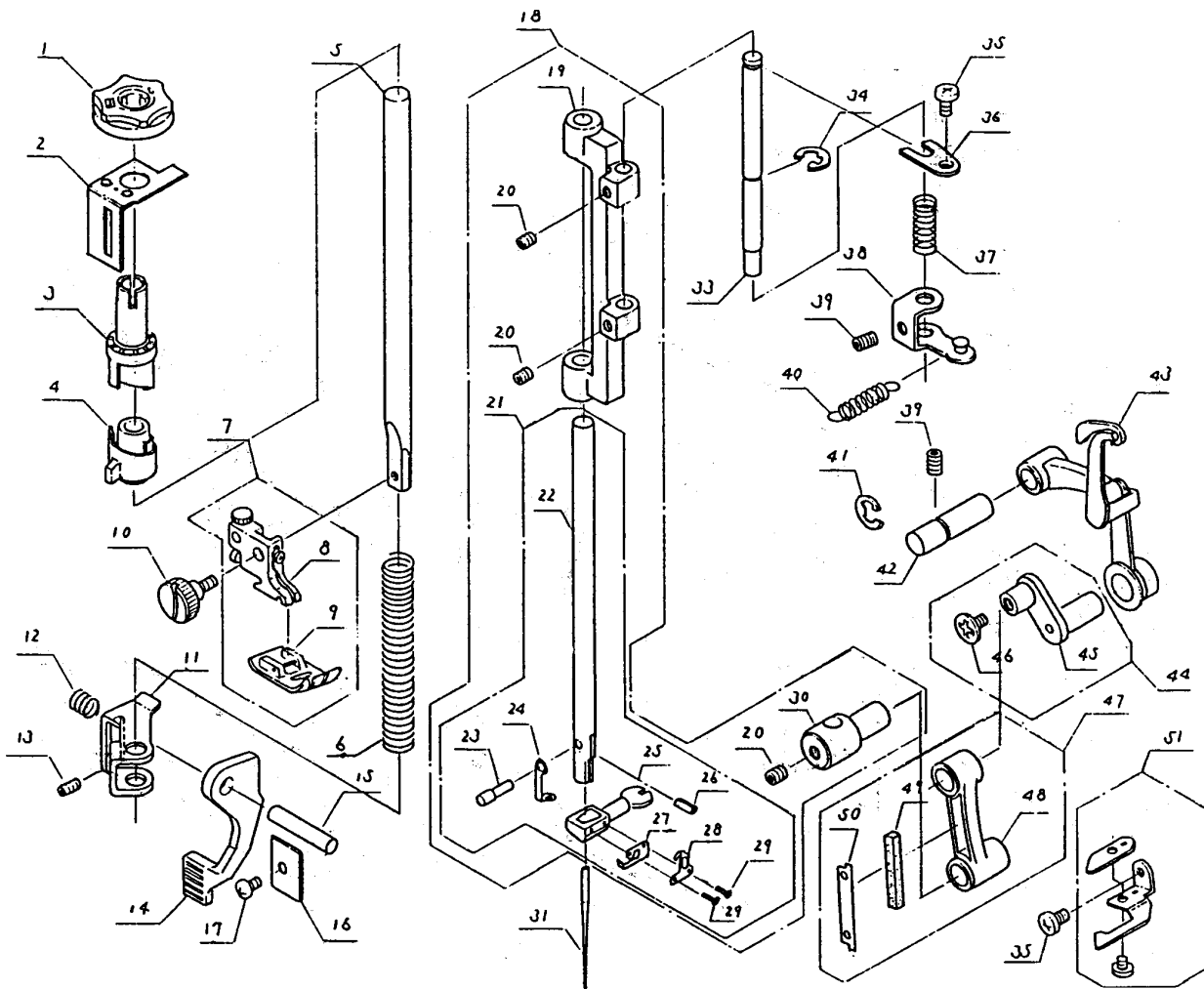
No.	Part No.	Part Name	No.	Part No.	Part Name
1	686622008	Needle plate complete (unit)	21	000101703	Set screw 4 x 12
2	686511003	Needle plate (unit)	22	686605108	Extension table (unit)
3	822005007	Slide plate holder (left)	23	686009106	Extension table cover
4	822006008	Slide plate holder (right)	24	686008105	Extension table
5	820374004	Set screw 2 x 2.3	25	686010007	Extension table spring
6	822004006	Slide plate	26	686603508	Base (unit)
7	820390109	Set screw	27	686004204	Base
8	650602001	Needle plate supporter (left) (unit)	28	686005504	Base scale
9	822011109	Pawl plate	29	817188009	Base spring
10	000103808	Set screw 3 x 5	30	000081005	Set screw 4 x 8
11	822314002	Nut	31	686602002	Arm sole (2) (unit)
12	650603002	Needle plate supporter (right) (unit)	32	686003007	Arm sole (2)
13	627567001	Bobbin holder stopper (unit)	33	605074008	Rubber shoe 2 pcs for arm sole 2 pcs for arm
14	810220003	Set screw	34	813123004	Snap ring CS-8
15	000107503	Tapping screw 4 x 6	35	686601001	Arm sole (1) (unit)
16	627569106	Bobbin holder (unit)	36	686002006	Arm sole (1)
17	686604107	Bed cover (unit)	37	820351005	Adjusting screw spring
18	686006103	Bed cover	38	820350004	Adjusting screw
19	686007104	Drop lever	39	000066808	Set screw 6 x 14
20	000013903	Snap ring CS-5	40	000076904	Set screw 4 x 10
			41	102261000	Bobbin



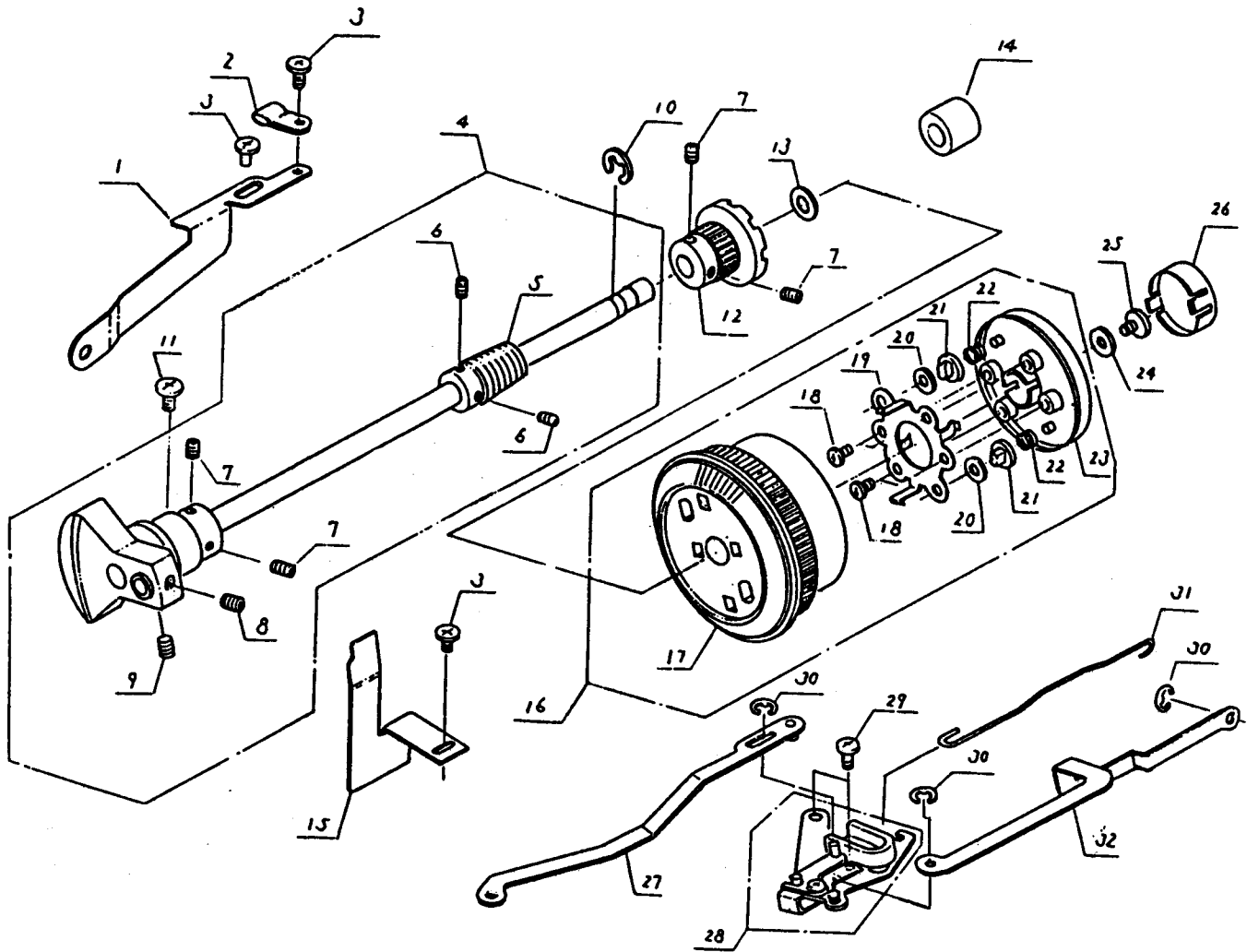
No.	Part No.	Part Name	No.	Part No.	Part Name
1	686620202	Carrying handle (unit)	18	686501000	Top cover thread guide (unit)
2	686507202	Carrying handle cover (unit)	19	693093006	Set screw
3	686057202	Carrying handle stay (front)	20	000062701	Nut 3.5-3-6
4	686058203	Carrying handle stay (rear)	21	822502009	Bobbin winder thread guide (unit)
5	000107318	Tapping screw 3 x 8 (B)	22	822021009	Thread guide holder
6	687605307	Top cover complete (unit)	23	630005006	Leaf nut
7	687606504	Top cover (unit)	24	000149002	Set screw 3 x 10
8	687019102	Top cover	25	687022005	Bobbin winder stopper
9	687069004	Flip-top sewing instruction panel	26	000066727	Set screw 3 x 6
10	687607103	Foot storage compartment (unit)	27	820502106	Top cover hinge (unit)
11	687021107	Foot storage compartment	28	822321002	Hinge spring
12	686503002	Bobbin winder (unit)	29	000103417	Set screw 4 x 8
13	686063005	Hinge screw	30	000080901	Set screw 4 x 25
14	822016403	Spool pin	31	686016003	Foot container
15	822017002	Pin	32	823119008	Bobbin winder arm spring
16	822018003	Spool pin spring			
17	000107318	Tapping screw 3 x 8 (B)			



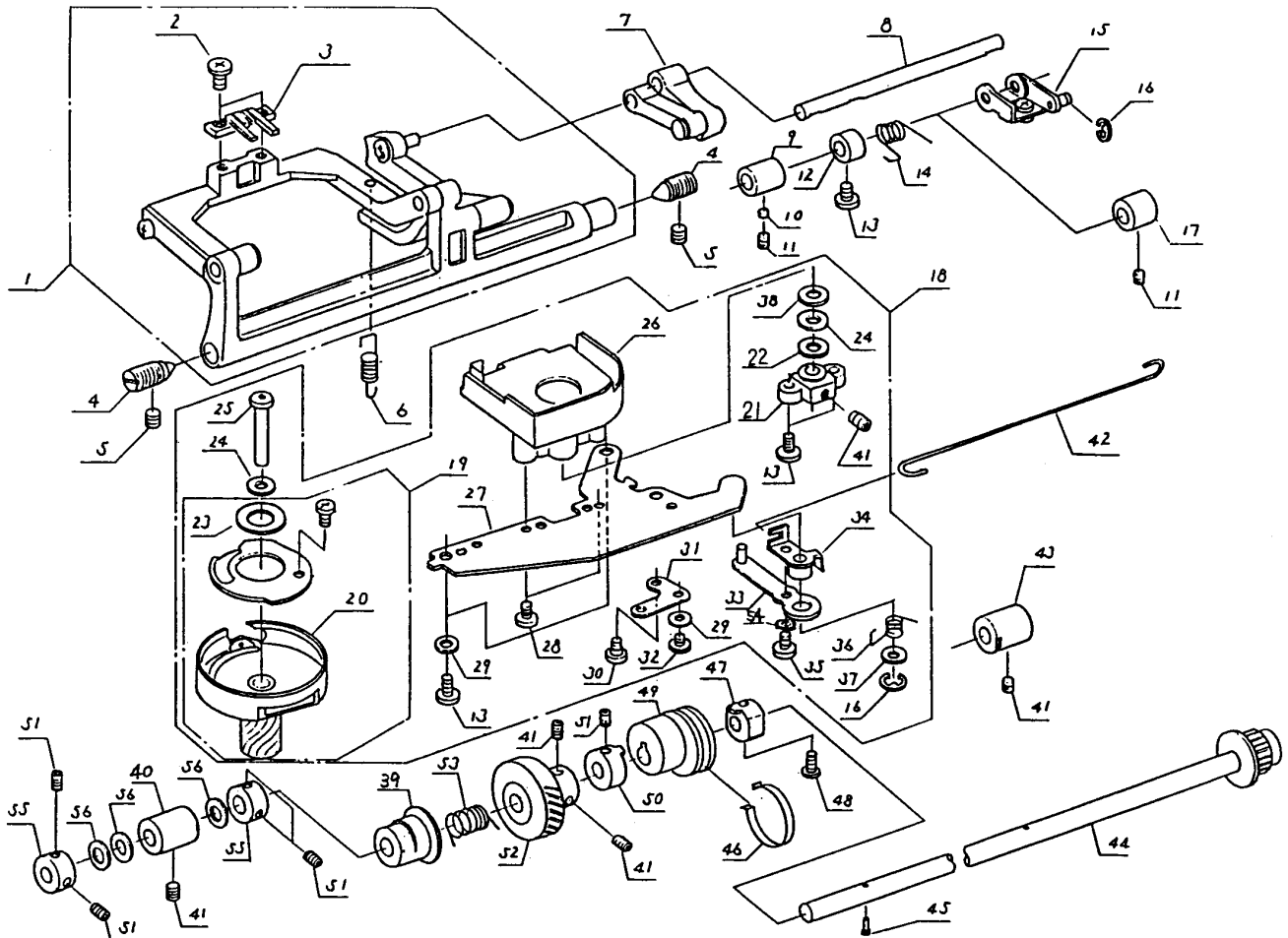
No.	Part No.	Part Name	No.	Part No.	Part Name
1	687608104	Face plate (unit)	19	000160102	Ajustable lock nut 4
2	687023202	Face plate	20	685042005	Supporter stopper
3	650025004	Face plate spring	21	000081005	Set screw 4 x 8
4	000076317	Set screw 3 x 10	22	000069708	Set screw 3 x 10
5	366501102	Face plate hinge (unit)	23	686059008	Handle supporter plate
6	687024007	Face plate sticker	24	000101404	Set screw 4 x 6
7	822532008	Thread cutter (unit)	25	686504003	Lamp socket (unit) For NH
8	000081119	Set screw 4 x 6	26	000008606	Bulb 120 V 15 W E-12
9	687610006	Lamp socket holder plate (unit)	27	000053008	Binder
10	686019006	Lamp socket holder plate	28	687609932	Thread tension dial knob (unit)
11	686020000	Thread tension release lever	29	650044009	Check spring
12	686021001	Thread tension release lever spring	30	625057007	Spring guide
13	000013903	Shap ring CS-5	31	650045000	Thread guide
14	687032008	Thread tension release plate (1)	32	000103808	Set screw 3 x 5
15	686023003	Thread tension release plate (2)	33	000101404	Set screw 4 x 6
16	000014007	Snap ring CS-4	34	687031100	Thread tension dial frame
17	000103808	Set screw 3 x 5	35	000120203	Set screw 3 x 8 (B)
18	000105408	Set screw 4 x 20			



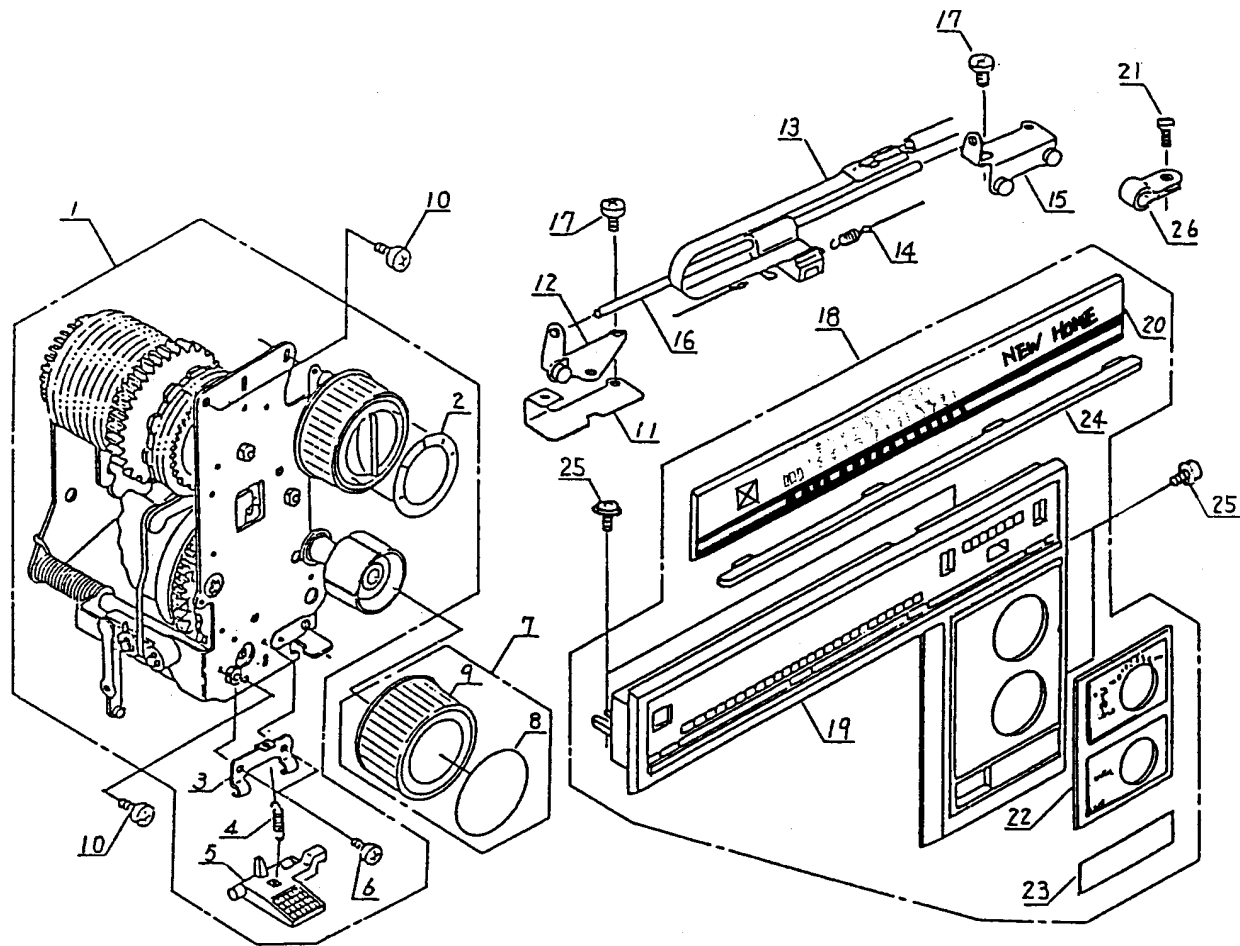
No.	Part No.	Part Name	No.	Part No.	Part Name
1	822065005	Pressure dial	28	822330004	Needle bar thread guide set plate
2	686102007	Pressure adjusting cam holder	29	000105501	Set screw 1.6 x 2.5 (1)
3	686027007	Pressure adjusting cam (1)	30	650100004	Needle bar connecting stud
4	686028008	Pressure adjusting cam (2)	31	102408089	Needle HA1-14
5	102801008	Presser bar	32	000102209	Set screw 4 x 6
6	815023009	Presser bar spring	33	650033005	Needle bar supporter shaft
7	822525008	Presser foot (unit)	34	000001609	Snap ring E-5
8	804509000	Foot holder (unit)	35	810220003	Set screw
9	822508005	Zigzag foot (unit)	36	687025008	Needle bar supporter shaft holder plate
10	102012004	Thum screw	37	650036008	Needle bar supporter shaft spring
11	686074009	Presser bar bracket	38	650035007	Zigzag width crank
12	102222009	Darner spring	39	000111108	Hexagon socket screw 4 x 6
13	000111500	Hexagon socket screw 4 x 8	40	686085003	Needle bar supporter spring
14	822071004	Presser bar lifter	41	000001702	Snap ring E-6
15	822072005	Presser bar lifter pin	42	650062003	Thread take-up lever shaft
16	686079004	Pin holder	43	822512002	Thread take-up lever (unit)
17	000081005	Set screw 4 x 8	44	627568002	Needle bar crank pin (unit)
18	686611004	Needle bar supporter (unit)	45	627183009	Needle bar crank pin
19	650038000	Needle bar supporter	46	532041007	Needle bar crank pin cap
20	000111201	Hexagon socket screw 4 x 4	47	686612005	Needle bar crank rod (unit)
21	822658	Needle bar (unit)	48	625226009	Needle bar crank rod
22	822322003	Needle bar	49	810437005	Felt
23	822323004	Stopper pin	50	810438006	Felt holder spring
24	822324005	Needle guide plate	51	650506004	Lower thread guide (unit)
25	822506014	Needle clamp (unit)			
26	000004901	Spring pin 1.5 x 5			
27	822329000	Needle bar thread guide			



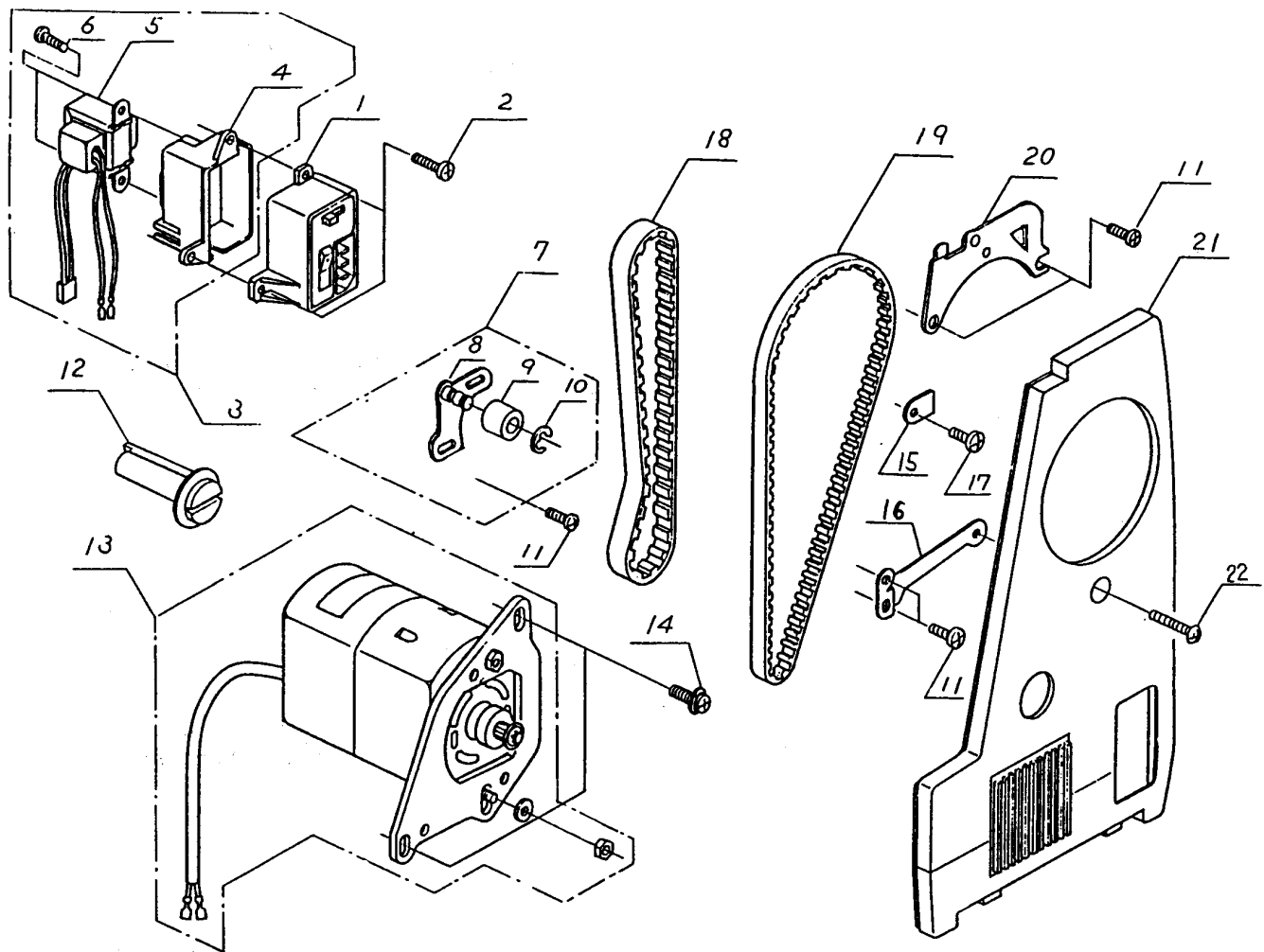
No.	Part No.	Part Name	No.	Part No.	Part Name
1	686025005	Thread tension release holder	20	000036201	Thrust washer 8-0.5
2	000126106	Nylon clip	21	650065006	Clutch pin
3	000101404	Set screw 4 x 6	22	650066007	Clutch pin spring
4	686623009	Upper shaft (unit)	23	650067400	Clutch knob
5	650060001	Upper shaft worm gear	24	650174009	Washer
6	000111201	Hexagon socket screw 4 x 4	25	810346006	Cam shaft screw
7	000111304	Hexagon socket screw 5 x 5	26	650070406	Clutch cap
8	102063000	Set screw	27	650156005	Zigzag width rod (front)
9	102073003	Set screw	28	686618001	Zigzag width crank (unit)
10	000030205	Snap ring E-8	29	000081005	Set screw 4 x 8
11	000101301	Set screw 5 x 10	30	000002105	Snap ring E-3
12	650063004	Upper shaft timing gear	31	650155004	Zigzag width rod
13	000036706	Thrust washer 10-0.5	32	818019001	Zigzag width regulating rod
14	673062004	Upper shaft rear bushing			
15	686026006	Thread cover plate			
16	650609400	Balance wheel (unit)			
17	650064407	Balance wheel			
18	000107307	Tapping screw 3 x 8 (B)			
19	650068009	Clutch spring			



No.	Part No.	Part Name	No.	Part No.	Part Name
1	686614007	Feed rock shaft (unit)	29	000070506	Plain washer 4
2	614025002	Set screw	30	650172007	Hinge screw
3	652109009	Feed dog	31	650171006	Positioning plate
4	532030003	Center screw	32	000101404	Set screw 4 x 6
5	000113605	Set screw 5 x 8	33	650098008	Feed shift plate
6	650085002	Feed bar spring	34	650097007	Feed shift arm
7	650612004	Feed regulator (unit)	35	000103808	Set screw 3 x 5
8	650091001	Feed regulator shaft	36	650099009	Feed shift spring
9	625144002	Feed regulator shaft bushing (front)	37	650023002	Plain washer
10	650175000	Cushion plate	38	627192001	Washer
11	000111108	Hexagon socket screw 4 x 6	39	686036102	Feed lifting cam
12	820387000	Ring	40	650078002	Lower shaft bushing (front)
13	000081005	Set screw 4 x 8	41	000111304	Hexagon socket screw 5 x 5
14	650088005	Feed regulator spring	42	650101005	Feed shift rod
15	650613005	Feed regulator arm (unit)	43	650079003	Lower shaft bushing (rear)
16	000002105	Snap ring E-3	44	686613006	Lower shaft (unit)
17	650092002	Feed regulator shaft bushing (rear)	45	820161006	Feed lifting pin
18	650614006	Hook race complete (unit)	46	627207000	Feed cam spring
19	652623004	Hook (unit)	47	650074008	Forward feed cam ring
20	652515002	Hook race body (unit)	48	000121606	Tapping screw 3 x 12 (S)
21	650094004	Hook driving shaft holder	49	625120105	Feed cam
22	625102008	Plain washer	50	625118007	Feed cam ring
23	627190009	Hook race magnet	51	000111201	Hexagon socket ring 4 x 4
24	000036500	Thrust washer 6-0.5	52	650076000	Lower shaft gear
25	820123006	Hook driving shaft	53	686035008	Feed lifting cam spring
26	650095005	Hook cover	54	656159006	Plain washer 3.3
27	650096006	Hook holder plate	55	820166001	Ring
28	000107204	Tapping screw 3 x 12 (B)	56	000036201	Thrust washer 8-0.5



No.	Part No.	Part Name	No.	Part No.	Part Name
1	687619005	Control mechanism block (unit)	18	687615506	Control panel frame (unit)
2	687071009	Stitch length indication plate	19	687049101	Control panel frame
3	687043002	Reverse stitch lever holder	20	687068003	Pattern indication plate
4	687044003	Reverse stitch lever spring	21	000101404	Set screw 4 x 6
5	687042207	Reverse stitch lever	22	688037006	Control panel
6	000103808	Set screw 3 x 5	23	687072000	Decoration plate
7	687614402	Pattern selector dial knob (unit)	24	687050002	Edge decoration plate
8	688035107	Dial decoration plate	25	000115607	TP screw 4 x 8
9	687047202	Dial knob	26	000126106	Nylon clip
10	000081005	Set screw 4 x 8			
11	687054006	Control panel holder plate			
12	687055007	Indicator guide holder plate (left)			
13	687059001	L.E.D. holder			
14	687616002	Indicator string (unit)			
15	687056008	Indicator guide holder plate (right)			
16	687057009	Indicator guide			
17	000081005	Set screw 4 x 8			



No.	Part No.	Part Name
1	687504202	Machine socket (unit)
2	000101703	Set screw 4 x 12
3	687603006	Transformer (unit)
4	687013003	Machine socket cover
5	687505007	Transformer
6	000076317	Set screw 3 x 10
7	650621006	Idler (unit)
8	824059002	Idler fixing plate
9	625217100	Idler
10	000002806	Snap ring E-6
11	000081005	Set screw 4 x 8
12	650162406	Feed balance dial knob
13	M-1016	Motor (unit)
14	000115504	TP screw 5 x 10
15	685049002	Cord guide
16	650164006	Belt cover fixing plate
17	000101404	Set screw 4 x 6
18	650071005	Timing belt
19	650166008	Timing belt
20	687060005	Handle supporter plate
21	687061202	Belt cover
22	000101806	Set screw 4 x 16