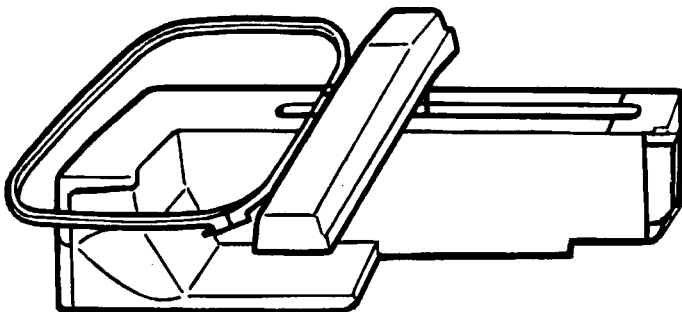


***Spare parts***  
***Ersatzteile***  
***Pièces détachées***  
***Reservdelar***

***Rose 600***



***Embroidery***

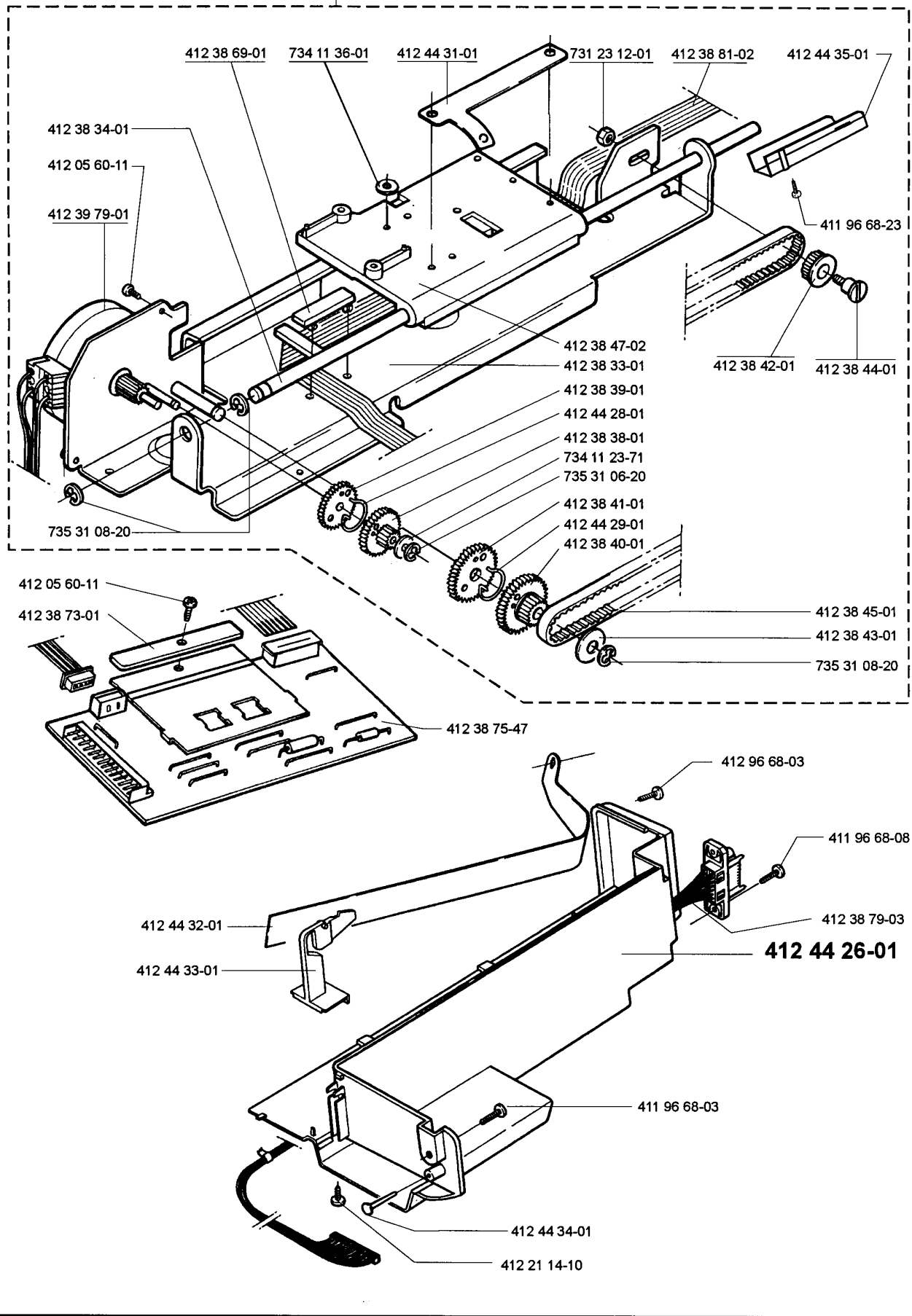
---

** Husqvarna**

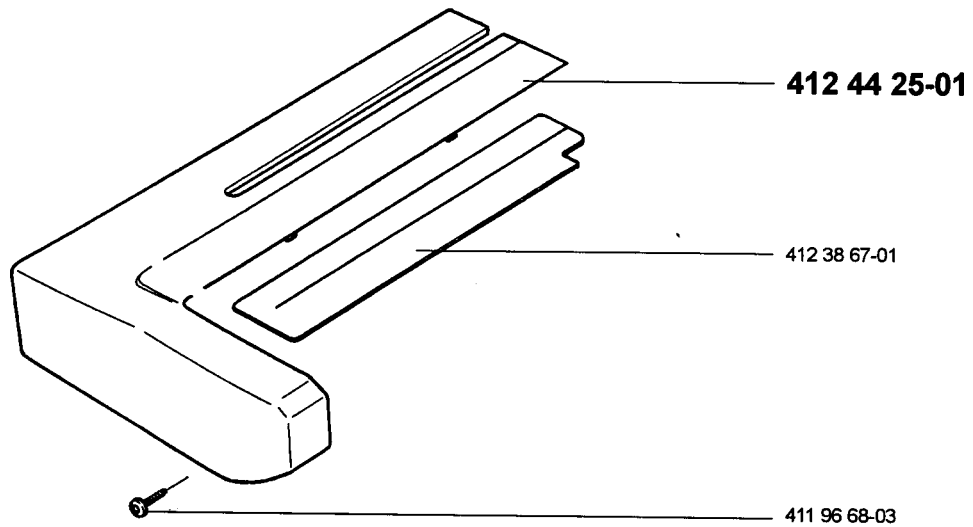
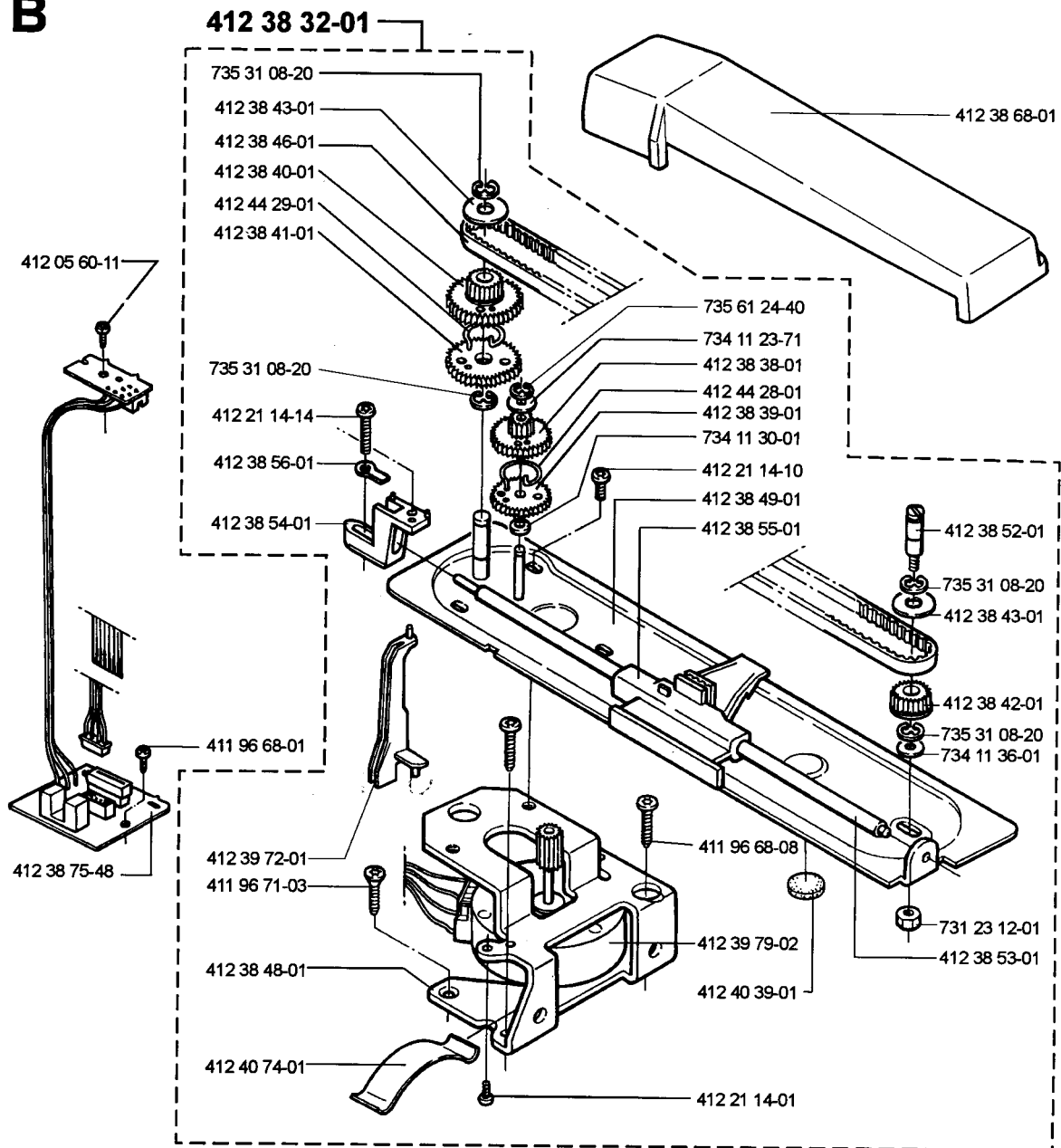
104 21 93-96

**A**

**412 38 31-02**

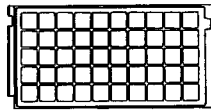


**B**

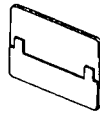


**C**

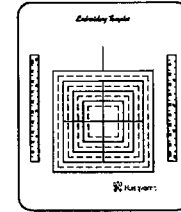
CASSETTE



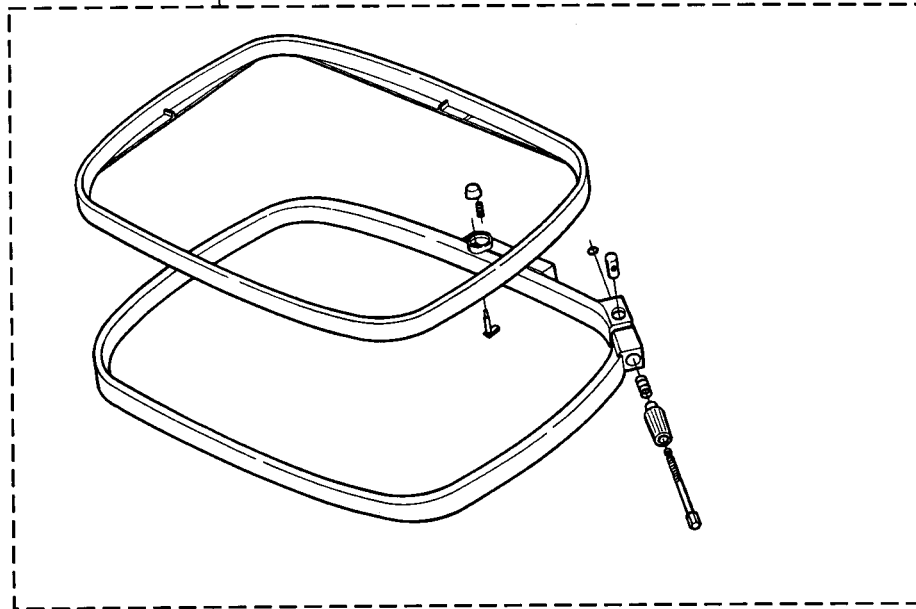
MEMORY CARD



EMBROIDERY TEMPLAT



412 44 70-01



Part No	Description	Square	Part No	Description	Square	Part No	Description	Square	
411 96 68-01	Screw 7,5 mm	B	412 38 69-01	Clamp flex cable	A	<b>ACCESSORIES</b>			
411 96 68-03	Screw	A,B	412 38 73-01	Clamp	A		412 39 65-01	Embroidery card 1	C
411 96 68-08	Scew 14 mm	A,B	412 38 75-47	Circuit board, main board	A		412 41 61-02	Plastic bag w. access.	C
411 96 68-23	Screw	A	412 38 75-48	Circuit board	B		412 45 41-01	Embroidery foot U	C
411 96 71-03	Screw 14 mm	B	412 38 79-03	Cable compl.	A				
412 05 60-11	Screw M3x5 mm	A,B	412 38 81-02	Cable flexible	A				
412 21 14-01	Screw M3x4 mm	B	412 39 72-01	Cable guide Y-unit	B				
412 21 14-10	Screw M4x6 mm	A,B	412 39 79-01	Step motor compl. X-unit	A				
412 21 14-14	Screw M4x16 mm	B	412 39 79-02	Step motor compl. Y-unit	B				
412 38 31-02	X-unit compl	A	412 40 39-01	Felt spacer	B				
412 38 32-01	Y-unit compl	B							
412 38 33-01	Frame X-unit	A	412 40 74-01	Spring	B				
412 38 34-01	Shaft X-unit	A	412 44 25-01	Cover, top	B				
412 38 38-01	Cog wheel	A,B	412 44 26-01	Cover, base	A				
412 38 39-01	Cog wheel	A,B	412 44 28-01	Spring	A,B				
412 38 40-01	Cog wheel	A,B	412 44 29-01	Spring	A,B				
412 38 41-01	Cog wheel	A,B	412 44 31-01	Spring	A				
412 38 42-01	Cog wheel	A,B	412 44 32-01	Spring	A				
412 38 43-01	Washer	A,B	412 44 33-01	Holder	A				
412 38 44-01	Shaft belt tension X-unit	A	412 44 34-01	Feed dog lowering	A				
412 38 45-01	Cog belt X-unit	A	412 44 35-01	Frame flex cable	A				
412 38 46-01	Cog belt Y-unit	B	412 44 70-01	Embroidery frame compl.	C				
412 38 47-02	Slide X-direction	A	731 23 12-01	Nut	A,B				
412 38 48-01	Holder Y-slide, step motor	B	734 11 23-71	Washer	A,B				
412 38 49-01	Frame Y-unit	B	734 11 30-01	Washer	B				
412 38 52-01	Shaft belt tension Y-unit	B	734 11 36-01	Washer	A,B				
412 38 53-01	Shaft Y-slide	B	735 31 06-20	C-washer	A				
412 38 54-01	Holder	B	735 31 08-20	C-washer	A,B				
412 38 55-01	Slide Y-unit	B	735 61 24-40	Compression ring 3 mm	B				
412 38 56-01	Washer	B							
412 38 67-01	Seal	B							
412 38 68-01	Cover Y-unit	B							