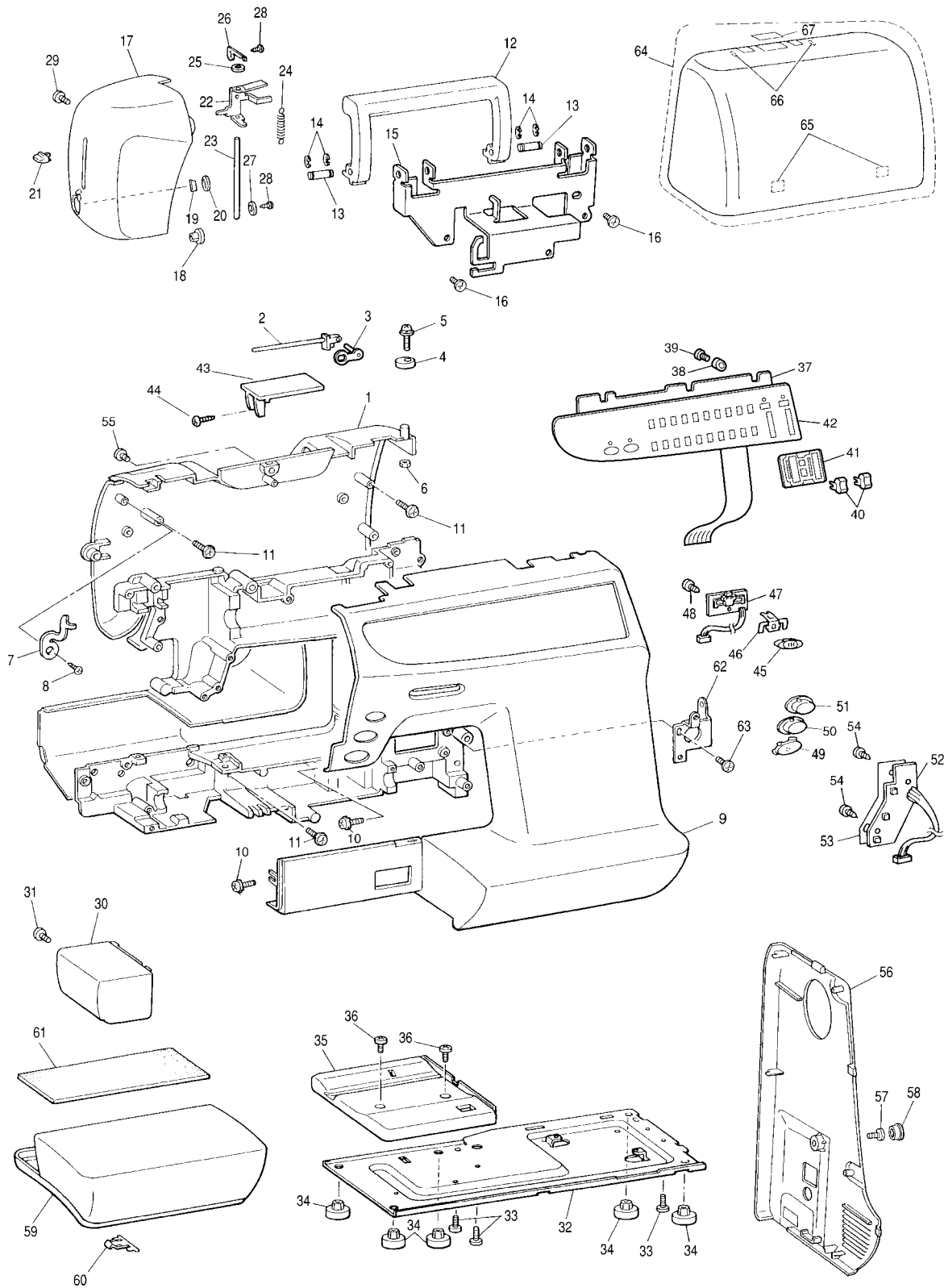


PARTS CATALOGUE FOR
COMPUTERIZED SEWING MACHINE

PC-2800
SUPER ACE III
SUPER ACE SPECIAL EDITION
CS8072

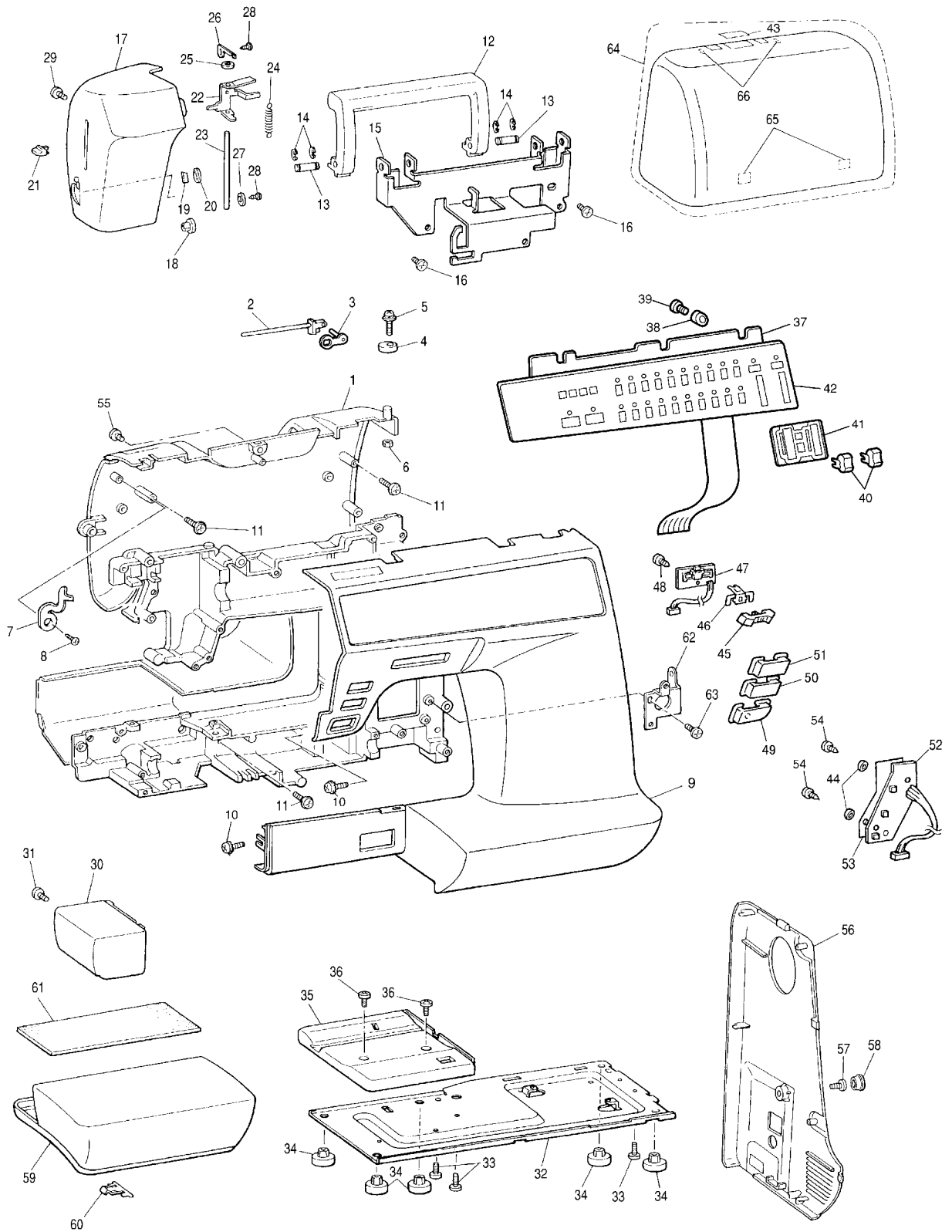
CONTENTS

| | |
|--|----|
| (1) PRINCIPAL PARTS (PC-2800, SUPER ACE III, CS8072) ... | 2 |
| PRINCIPAL PARTS (SUPER ACE SPECIAL EDITION) | 4 |
| (2) UPPER SHAFT AND NEEDLE BAR | 6 |
| (3) FEED MECHANISM | 8 |
| (4) ROTARY HOOK AND THREAD GUIDE | 10 |
| (5) LAMP, MAIN PC BOARD ASSEMBLY AND MOTOR UNIT | 12 |
| (6) OTHER PARTS | 14 |



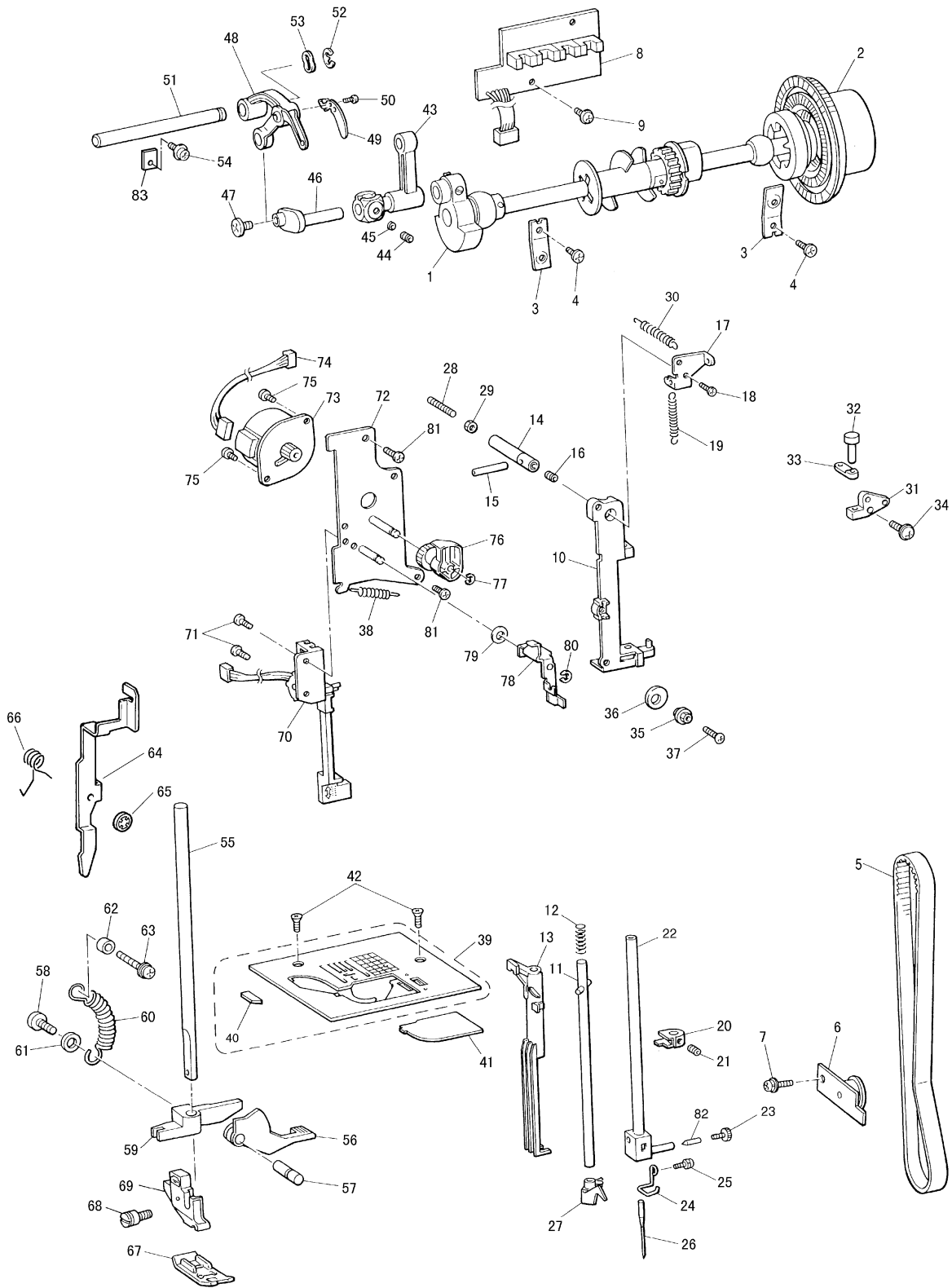
(1) PRINCIPAL PARTS (SUPER ACE SPECIAL EDITION)

| No. | CODE | NAME | REMARKS | No. | CODE | NAME | REMARKS |
|-----|-----------|--------------------------------|---------|-----|-----------|--------------------------------|---------|
| 1 | XA2880358 | Rear cover | | 45 | XA2903051 | S key top | |
| 2 | X59053051 | Spool pin | | 46 | XA2904050 | SV connecting block | |
| 3 | XA7273051 | Spool pin holder ASSY | | 47 | XA4339051 | VR PC board ASSY | |
| 4 | XA4324051 | Bobbin presser | | 48 | 136681051 | Taptite, Bind B M3 × 8 | |
| 5 | 052301606 | Screw, Pan M3 × 16 | | 49 | XA2959052 | SS button | |
| 6 | 021300106 | Nut, 1 M3 | | 50 | XA3492051 | Reverse sewing button | |
| 7 | XA5508051 | Thread guide assist plate | | 51 | XA3493051 | NP button | |
| 8 | 138433051 | Taptite, Pan B M3 × 6 | | 52 | XA4917051 | SS PC board ASSY | |
| 9 | XC0914052 | Front cover | | 53 | XA2901150 | Insulation sheet | |
| 10 | U12017051 | Screw, Pan (T washer) M3 × 6 | | 54 | 136681051 | Taptite, Bind B M3 × 8 | |
| 11 | 087411415 | Taptite, Cup B M4 × 14 | | 55 | 087411415 | Taptite, Cup B M4 × 14 | |
| 12 | XA2476051 | Carrying handle | | 56 | XA4302152 | Belt cover | |
| 13 | XA2886051 | Carrying handle shaft | | 57 | 060400616 | Screw, Bind M4 × 6 | |
| 14 | 048040346 | Retaining ring, E4 | | 58 | X50442051 | Screw cover | |
| 15 | XA2887251 | Handle holder | | 59 | XA1816001 | Accessory table ASSY | |
| 16 | X57908051 | Taptite, Bind S M4 × 10 | | 60 | 138644051 | Accessory table notched spring | |
| 17 | XA2955152 | Face plate | | 61 | X51434050 | Sponge | |
| 18 | X51895051 | Face plate bush | | 62 | XA1820050 | Set plate D | |
| 19 | X80321051 | NT thread cutter ASSY | | 63 | X57908051 | Taptite, Bind S M4 × 10 | |
| 20 | XA0199051 | Retaining ring, CSTW-8 | | 64 | XA2482051 | Case ASSY | |
| 21 | XA2943051 | Needle thread lever knob | | 65 | 125440050 | Case felt | |
| 22 | XA1801051 | Needle thread lever | | 66 | XZ0016050 | Case felt | |
| 23 | X51469051 | Needle thread lever shaft | | 67 | XC3183051 | FELT | ADD |
| 24 | 138260051 | Spring, Extension | | | | | |
| 25 | XC0508050 | Washer | | | | | |
| 26 | XA6320050 | Shaft presser plate | | | | | |
| 27 | XA5525051 | Washer | | | | | |
| 28 | 138433051 | Taptite, Pan B M3 × 6 | | | | | |
| 29 | 060401616 | Screw, Bind M4 × 16 | | | | | |
| 30 | XA1803151 | Free arm cover | | | | | |
| 31 | 053400806 | Screw, Pan (S/P Washer) M4 × 8 | | | | | |
| 32 | XA6188151 | Base plate | CHG | | | | |
| 33 | X57908051 | Taptite, Bind S M4 × 10 | | | | | |
| 34 | XA1805051 | Rubber cushion A | | | | | |
| 35 | XA1806051 | Base cover | | | | | |
| 36 | 060400616 | Screw, Bind M4 × 6 | | | | | |
| 37 | XC0656051 | PCB Assy;Disp 953 | | | | | |
| 38 | XA2220050 | Board presser | | | | | |
| 39 | 136681051 | Screw | | | | | |
| 40 | XA2900001 | MV-Key top | | | | | |
| 41 | XA2902001 | MV-Cover | | | | | |
| 42 | XC0915001 | Panel decoration plate 954 | | | | | |
| 43 | XA3028051 | Decoration plate | | | | | |
| 44 | XA2220050 | Board presser | | | | | |



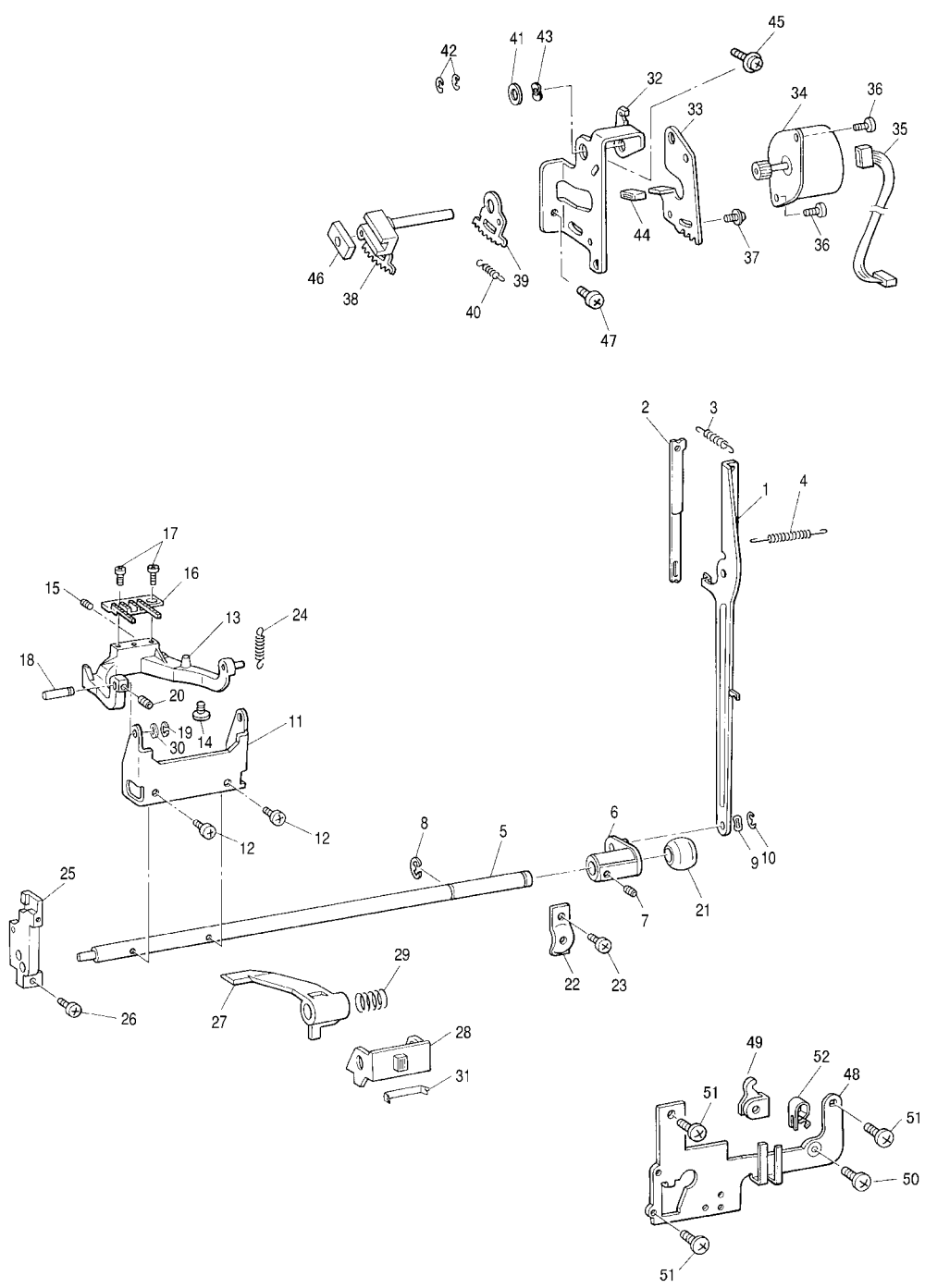
(2) UPPER SHAFT AND NEEDLE BAR

| No. | CODE | NAME | REMARKS | No. | CODE | NAME | REMARKS |
|-----|-----------|----------------------------------|---------|-----|-----------|------------------------------|---------|
| 1 | XA4385251 | Upper shaft ASSY | | 45 | 100507050 | Metal plate | |
| 2 | X57370051 | Pulley | | 46 | XA2389051 | Needle bar crank | |
| 3 | X52478051 | Presser plate A | | 47 | 132051052 | Screw, Flat SM3.57L | |
| 4 | X57908051 | Taptite, Bind S M4 × 10 | | 48 | XA1862051 | Thread take-up lever ASSY | |
| 5 | X53125051 | Timing belt 176 × L031 | | 49 | XA1864050 | Thread take-up lever plate | |
| 6 | XA1830051 | Tension pulley ASSY | | 50 | XA1387051 | Screw, Truss M2 × 3 | |
| 7 | 0A5401005 | Screw, Pan (S/P Washer) M4 × 10 | | 51 | XA1865051 | Thread take-up lever stud | |
| 8 | XA4922051 | NP PC board ASSY | | 52 | 048050346 | Retaining ring E5 | |
| 9 | 0A5400805 | Screw, Pan (S/P Washer) M4 × 8 | | 53 | XA1866051 | Washer, Wave spring | |
| 10 | XA2198051 | Needle bar supporter ASSY | | 54 | X57913051 | Taptite, Bind S M4 × 16 | |
| 11 | XA1839051 | Needle threader shaft ASSY | | 55 | XA2509051 | Presser bar | |
| 12 | 129839051 | Spring, Compression | | 56 | XA5511051 | Presser foot lifter | |
| 13 | XA1841001 | Needle threader slider | | 57 | XA1869050 | Stud for presser foot lifter | |
| 14 | XA1842051 | Needle bar supporter stud A | | 58 | X52760051 | Set screw, Pan M6 × 12 | |
| 15 | X56551050 | Needle bar supporter stud C | | 59 | XA1871151 | Presser bar clamp | |
| 16 | 014400432 | Set screw, Socket (CP) M4 × 4 | | 60 | 137736051 | Spring | |
| 17 | XA1843150 | Set plate | | 61 | XA5524051 | Washer, plain | |
| 18 | 060300616 | Screw, Bind M3 × 6 | | 62 | XA1875051 | Spacer | |
| 19 | X57758051 | Spring, Extension | | 63 | XA0649051 | Taptite, Cup S M4 × 14 | |
| 20 | X55983150 | Needle threader position setter | | 64 | XA4838151 | Tension releaser C | |
| 21 | 012400432 | Set screw, Socket (FT) M4 × 4 | | 65 | 120454051 | Retaining ring CS4 | |
| 22 | XA1849151 | Needle bar ASSY | | 66 | XA5931051 | Spring | |
| 23 | XZ0002051 | Screw | | 67 | 137748101 | Zigzag presser foot | |
| 24 | XA1851000 | Needle bar thread guide | | 68 | XA4813051 | Screw | |
| 25 | XA1387051 | Screw, Truss M2 × 3 | | 69 | 129855001 | Presser holder ASSY | |
| 26 | 117914014 | Needle HA × 130 | | 70 | XA1882051 | BH switch plate ASSY | |
| 27 | XA1854001 | Threader hook ASSY | | 71 | 060300816 | Screw, Bind M3 × 8 | |
| 28 | 014401632 | Set screw, Socket (CP) M4 × 16 | | 72 | XA1989151 | ZPM holder ASSY | |
| 29 | X56851051 | Nut | | 73 | Z26291081 | BP483523LM26ZPM | |
| 30 | XA1856051 | Spring, Extension | | 74 | XA2921051 | ZPM lead wire ASSY | |
| 31 | XA1857051 | Needle bar supporter stud holder | | 75 | 060300416 | Screw, Bind M3 × 4 | |
| 32 | X57647051 | Needle bar supporter stud | | 76 | XA1995000 | Zigzag cam | |
| 33 | XA7996051 | Needle bar supporter arm | | 77 | 048030346 | Retaining ring E3 | |
| 34 | 052401406 | Screw, Pan (S/P Washer) M4 × 14 | | 78 | XA5515151 | Zigzag lever | |
| 35 | X50559050 | Nut | | 79 | X53027050 | Thrust washer | |
| 36 | XA1860150 | Washer | | 80 | 048030346 | Retaining ring E3 | |
| 37 | 062301006 | Screw, Pan M3 × 10 | | 81 | X57908051 | Taptite, Bind S M4 × 10 | |
| 38 | XA1861051 | Spring, Extension | | 82 | XA5718051 | Needle clamp pin | CHG |
| 39 | XA2916051 | Needle plate ASSY | | 83 | X50532051 | Presser plate | |
| 40 | X80321051 | NT thread cutter ASSY | | | | | |
| 41 | X56828151 | Needle plate cover | | | | | |
| 42 | X50487051 | Screw | | | | | |
| 43 | X52650151 | Needle bar crank rod ASSY | | | | | |
| 44 | 014680432 | Set screw, Socket (CP) SM4.37 | | | | | |



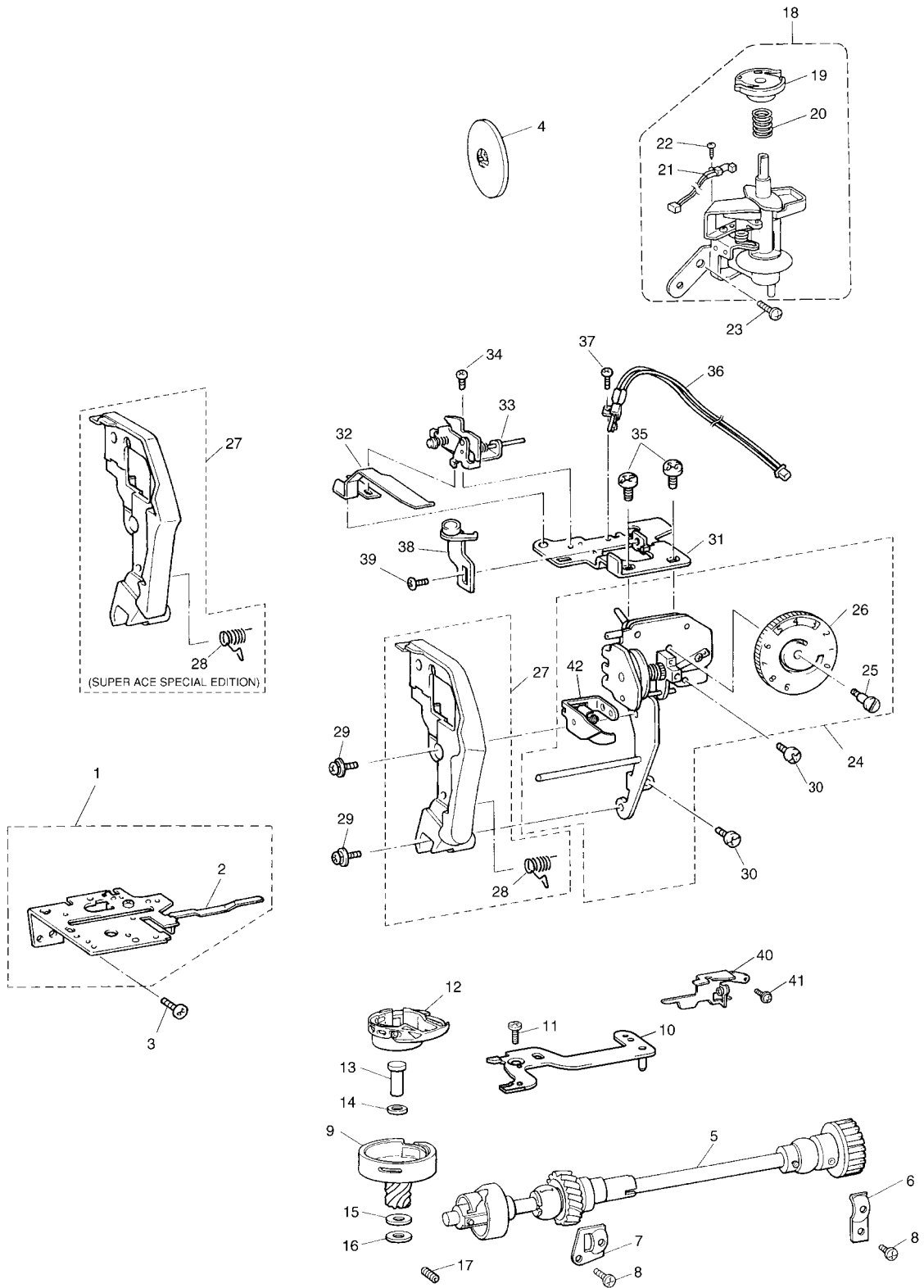
(3) FEED MECHANISM

| No. | CODE | NAME | REMARKS | No. | CODE | NAME | REMARKS |
|-----|-----------|---------------------------------|---------|-----|-----------|-----------------------------------|---------|
| 1 | XA1895051 | Feed rod ASSY | | 45 | XA0649051 | Taptite, Cup S M4 × 14 | |
| 2 | XA2185050 | Feed rod supporting plate | | 46 | XA1927051 | Feed regulator slide block | |
| 3 | XA1898001 | Spring, Extension F | | 47 | X57908051 | Taptite, Bind S M4 × 10 | |
| 4 | XA1899001 | Spring, Extension S | | 48 | XA2942051 | SPM holder | |
| 5 | XA1901250 | Horizontal feed shaft | | 49 | XA4376051 | Horizontal feed shaft fixed plate | |
| 6 | XA1902051 | Horizontal feed arm ASSY | | 50 | 060300416 | Screw, Bind M3 × 4 | |
| 7 | 014500532 | Set screw, Socket (CP) M5 × 5 | | 51 | X57908051 | Taptite, Bind S M4 × 10 | |
| 8 | 048060346 | Retaining ring E6 | | 52 | XA1935051 | Spring, Plate | |
| 9 | X59915051 | Washer, Wave spring | | | | | |
| 10 | 048050346 | Retaining ring E5 | | | | | |
| 11 | XA1905051 | Horizontal feed plate | | | | | |
| 12 | 060400816 | Screw, Bind M4 × 8 | | | | | |
| 13 | XA1907051 | Feed stand | | | | | |
| 14 | X59916051 | Screw | | | | | |
| 15 | 012400432 | Set screw, Socket (FT) M4 × 4 | | | | | |
| 16 | XA4980051 | Feed dog | | | | | |
| 17 | 060300516 | Screw, Bind M3 × 5 | | | | | |
| 18 | XA1910051 | Feed bar shaft | | | | | |
| 19 | 048025346 | Retaining ring E2.5 | | | | | |
| 20 | 014400432 | Set screw, Socket (CT) M4 × 4 | | | | | |
| 21 | X52664050 | Horizontal feed shaft bushing | | | | | |
| 22 | 132421051 | Bushing presser | | | | | |
| 23 | X57908051 | Taptite, Bind S M4 × 10 | | | | | |
| 24 | XA1911051 | Spring, Extension | | | | | |
| 25 | XA1912050 | Horizontal-feed shaft supporter | | | | | |
| 26 | 052401406 | Screw, Pan (S/P Washer) M4 × 14 | | | | | |
| 27 | XA2526051 | Drop plate | | | | | |
| 28 | XA1914051 | Drop knob | | | | | |
| 29 | XA2199051 | Spring, Compression | | | | | |
| 30 | 137977050 | Washer | | | | | |
| 31 | XA2200050 | Spring, Plate | | | | | |
| 32 | XA1916050 | FPM holder A | | | | | |
| 33 | XA1917050 | FPM holder B | | | | | |
| 34 | Z26303081 | BP483523LM28FPM | | | | | |
| 35 | XA2046051 | FPM lead wire ASSY | | | | | |
| 36 | 060300416 | Screw, Bind M3 × 4 | | | | | |
| 37 | 0A4400806 | Screw, Pan (S/P Washer) M4 × 8 | | | | | |
| 38 | XZ0017051 | Feed regulator ASSY | | | | | |
| 39 | XA1922151 | F gear | | | | | |
| 40 | XA2972051 | Spring, Extension | | | | | |
| 41 | X53330050 | Washer | | | | | |
| 42 | 048050346 | Retaining ring E5 | | | | | |
| 43 | X59915051 | Washer, Wave spring | | | | | |
| 44 | XA2189050 | Rubber | | | | | |



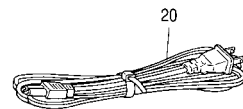
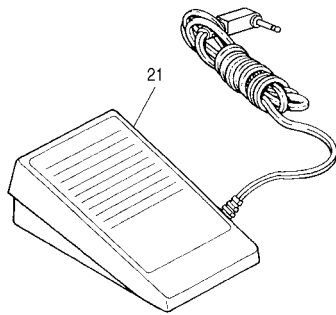
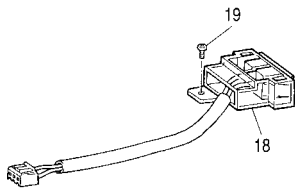
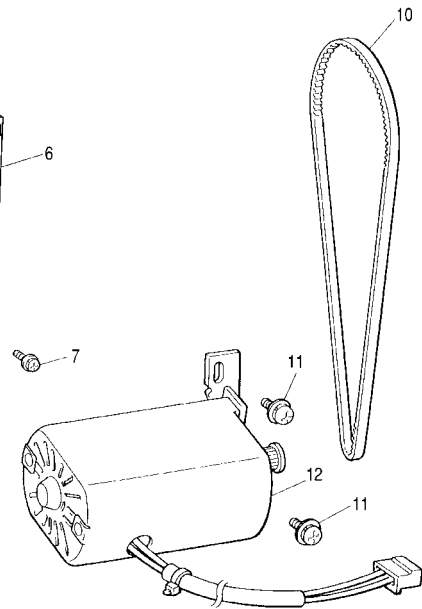
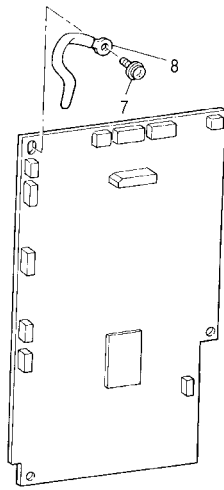
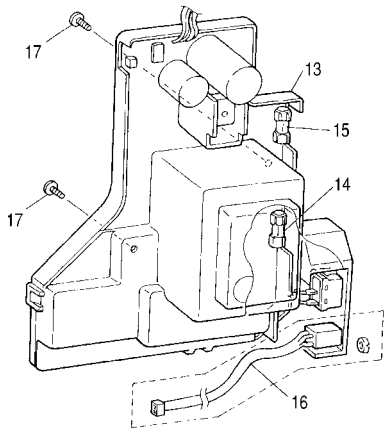
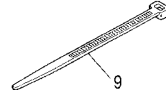
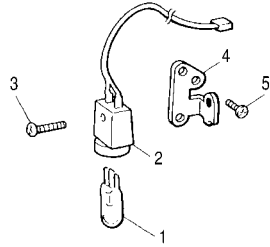
(4) ROTARY HOOK AND THREAD GUIDE

| No. | CODE | NAME | REMARKS | No. | CODE | NAME | REMARKS |
|-----|-----------|--|---------|-----|-----------|------------------|---------|
| 1 | XA4828051 | Lower thread guide ASSY | | 43 | XA1980051 | PHOTO DIODE ASSY | CHG |
| 2 | XA5558151 | Lower thread guide arm ASSY | | 44 | XC3183051 | FELT | ADD |
| 3 | 060400816 | Screw, Bind M4 × 8 | | | | | |
| 4 | X55260152 | Spool cap (Medium) | | | | | |
| 5 | XA5474051 | Lower shaft ASSY | | | | | |
| 6 | 132421051 | Bushing presser R | | | | | |
| 7 | XA1975051 | Bushing presser L | | | | | |
| 8 | X57908051 | Taptite, Bind S M4 × 10 | | | | | |
| 9 | XA2855151 | Outer rotaty hook ASSY | | | | | |
| 10 | XA5869002 | Inner rotaty hook bracket ASSY | | | | | |
| 11 | 060400816 | Screw, Bind M4 × 8 | | | | | |
| 12 | XA3353251 | Inner rotaty hook ASSY | | | | | |
| 13 | XA0360151 | OUTER ROTERY HOOK SHAFT | CHG | | | | |
| 14 | XA2190050 | Washer U | | | | | |
| 15 | XA2190050 | Washer U | | | | | |
| 16 | XA0362051 | Washer | | | | | |
| 17 | 014400632 | Set screw, Socket (CP) M4 × 6 | | | | | |
| 18 | XA4311151 | Bobbin winder ASSY | | | | | |
| 19 | XA2951051 | Bobbin base ASSY | | | | | |
| 20 | XA2696051 | Spring, Compression | | | | | |
| 21 | XA8490051 | Bobbin winder switch ASSY | | | | | |
| 22 | 062260516 | Screw, Pan M2.6 × 5 | | | | | |
| 23 | X57908051 | Taptite, Bind SM4 × 10 | | | | | |
| 24 | XA9927051 | Thread guard ASSY | | | | | |
| 25 | X59984051 | Tension dial shaft | | | | | |
| 26 | X59985154 | Tension dial | | | | | |
| 27 | XA5455151 | Thread guard cover ASSY | | | | | |
| | XA4924151 | Thread guard cover ASSY for SUPER ACE SPECIAL EDITION | | | | | |
| 28 | XA2022051 | SPRING | CHG | | | | |
| 29 | 052300606 | Screw, Pan (S/P Washer) M3 × 6 | | | | | |
| 30 | X57908051 | Taptite, Bind S M4 × 10 | | | | | |
| 31 | XA5473051 | Thread guard holder ASSY | | | | | |
| 32 | XA4850050 | Thread guard plate | | | | | |
| 33 | XA4851051 | Thread tension ASSY | | | | | |
| 34 | 060300616 | Screw, Bind M3 × 6 | | | | | |
| 35 | 060400416 | Screw, Bind M4 × 4 | | | | | |
| 36 | X57715051 | PF Switch ASSY | | | | | |
| 37 | 062260516 | Screw, Pan M2.6 × 5 | | | | | |
| 38 | XA4839051 | Bobbin winder thread guide ASSY | | | | | |
| 39 | 060300416 | Screw, Bind M3 × 4 | | | | | |
| 40 | XA2935051 | Thread guide plate | | | | | |
| 41 | 060300616 | Screw, Bind M3 × 6 | | | | | |
| 42 | XA7805051 | Thread brake plate ASSY | | | | | |



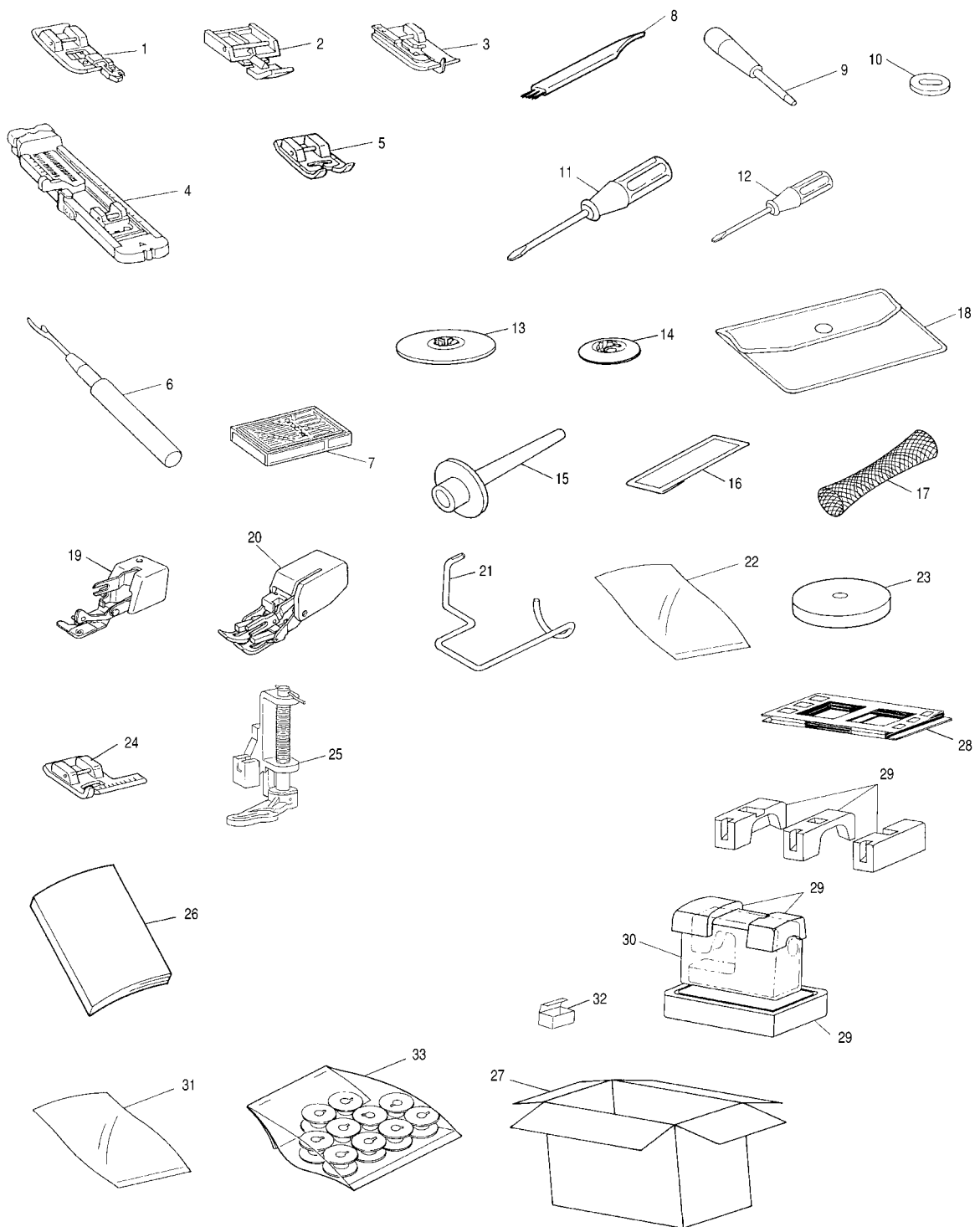
(5) LAMP, MAIN PC BOARD ASSEMBLY AND MOTOR UNIT

| No. | CODE | NAME | REMARKS |
|-----|-----------|--|---------|
| 1 | XA2037051 | WB sew-light bulb | |
| 2 | XA2038051 | WBL socket ASSY | |
| 3 | 002261205 | Screw, Pan M2.6 × 12 | |
| 4 | XA2040051 | Lamp holder | |
| 5 | 060300416 | Screw, Bind M3 × 4 | |
| 6 | XC0612051 | Main PC board ASSY | |
| 7 | 052300606 | Screw, Pan (S/P Washer) M3 × 6 | |
| 8 | 137947001 | Coating clip CS-1 | |
| 9 | X53169050 | Band | |
| 10 | XA2992051 | Timing belt B173 XXL4.8 | |
| 11 | 537235051 | Screw, Pan (S/P Washer) M5 × 12 | |
| 12 | XA3332251 | MM-512-21 motor unit for 120V | |
| | XA3356251 | MM-512-51 motor unit for 230V | |
| 13 | X81303051 | Power supply unit ASSY for 120V | |
| | X81304051 | Power supply unit ASSY for 230V | |
| 14 | XA4871051 | G fuse 3.15AA for 120V | |
| | XA1463051 | G fuse 2AB for 230V | |
| 15 | XA4872051 | G fuse 3.15AB for 120V | |
| | XA0233051 | G fuse 5AB for 230V | |
| 16 | X81043001 | Pin jack ASSY for 120V | |
| | X81046051 | PIN JACK ASSY FOR 230V | CHG |
| 17 | XA1653051 | Screw, Bind M4 × 20 | |
| 18 | XA5404151 | Inlet ASSY for 120V | |
| | XA5410151 | Inlet ASSY for 230V | |
| 19 | 060400616 | Screw, Bind M4 × 6 | |
| 20 | XC6052051 | POWER SUPPLY CORD : UL CSA-LF | CHG |
| | XA0070151 | POWER SUPPLY CORD FOR EUROPE | CHG |
| | X59328151 | POWER CORD FOR AUSTRALIA, NEW ZEALAND | ADD |
| | X59354151 | POWER SUPPLY CORD-BS, (U.K.) | CHG |
| 21 | XC6651051 | FOOT CONTROLLER : FC-313-81-LF | CHG |
| 22 | XA2401050 | WASHER | ADD |
| 23 | 225833051 | BUFFER RUBBER | ADD |
| 24 | 236149001 | PULLEY FLANGE | ADD |
| | | | |
| | | | |
| | | | |
| | | | |
| | | | |
| | | | |
| | | | |
| | | | |
| | | | |



(6) OTHER PARTS

| No. | CODE | NAME | REMARKS | No. | CODE | NAME | REMARKS |
|-----|-----------|--------------------------------------|---------|-----|-----------|----------------------|---------|
| 1 | XC3098051 | OVERCASTING STITCH FOOT ASSY | CHG | 33 | XA3811051 | Bobbin (10 set), UPC | |
| 2 | X59370051 | Zipper foot "I" | | | XA3812051 | Bobbin (10 set), EAN | |
| 3 | X56409051 | BLIND STITCH FOOT ASSY | CHG | 29 | X60678051 | BAG 700X630H | ADD |
| 4 | X57789151 | BH PRESSER FOOT | CHG | | | | |
| 5 | 137988101 | Monogramming foot "N" | | | | | |
| 6 | X54243001 | Seam ripper | | | | | |
| 7 | X58358001 | Needle set | | | | | |
| 8 | X59476051 | Cleaning brush | | | | | |
| 9 | 135793001 | Eyelet punch | | | | | |
| 10 | XA2005051 | Disc-shaped screwdriver | | | | | |
| 11 | X55467051 | Screwdriver (Large) | | | | | |
| 12 | X55468051 | Screwdriver (Small) | | | | | |
| 13 | 130012053 | Spool cap (Large) | | | | | |
| 14 | 130013053 | Spool cap (Small) | | | | | |
| 15 | XA3336051 | Extra spool pin | | | | | |
| 16 | X59296151 | TWIN NEEDLE (1PC) | CHG | | | | |
| 17 | XA5523050 | Net | | | | | |
| 18 | XC4487051 | ACCESSORY BAG | CHG | | | | |
| 19 | X81028001 | Side cutter | | | | | |
| 20 | X81065001 | Walking foot | | | | | |
| 21 | XA3412001 | Finger guard | | | | | |
| 22 | XA0188050 | Bag, 240 × 355H | | | | | |
| 23 | X57045051 | Spool felt | | | | | |
| 24 | X51804001 | Stitch guide foot "P" | | | | | |
| 25 | XA4322001 | Quilting foot | | | | | |
| 26 | 194953111 | INSTRUCTION MANUAL (ENGLISH) | CHG | | | | |
| | 194953012 | Instruction manual (Spanish) | | | | | |
| | 194953013 | Instruction manual (German) | | | | | |
| | 194953014 | Instruction manual (Dutch) | | | | | |
| | 194953015 | Instruction manual (French) | | | | | |
| | 194953016 | Instruction manual (Italian) | | | | | |
| 27 | X61711051 | Carton for PC-2800 | CHG | | | | |
| | XC3302051 | COLOR CARTON FOR CS8072 | ADD | | | | |
| | X61613051 | Carton for New Zealand | ADD | | | | |
| | X61614051 | Carton for SUPER ACE III | | | | | |
| | X61638051 | Carton for SUPER ACE SPECIAL EDITION | | | | | |
| 28 | X61138050 | Pad | | | | | |
| 29 | X61159150 | 962 SF ASSY | | | | | |
| 30 | X60439151 | BAG 630X630T | CHG | | | | |
| 31 | 160670050 | Bag, 150 × 350 | | | | | |
| 32 | X61014050 | Carton, Accessory | | | | | |



PC-2800
SUPER ACE III
SUPER ACE SPECIAL EDITION
CS8072
H1060197
Printed in JAPAN