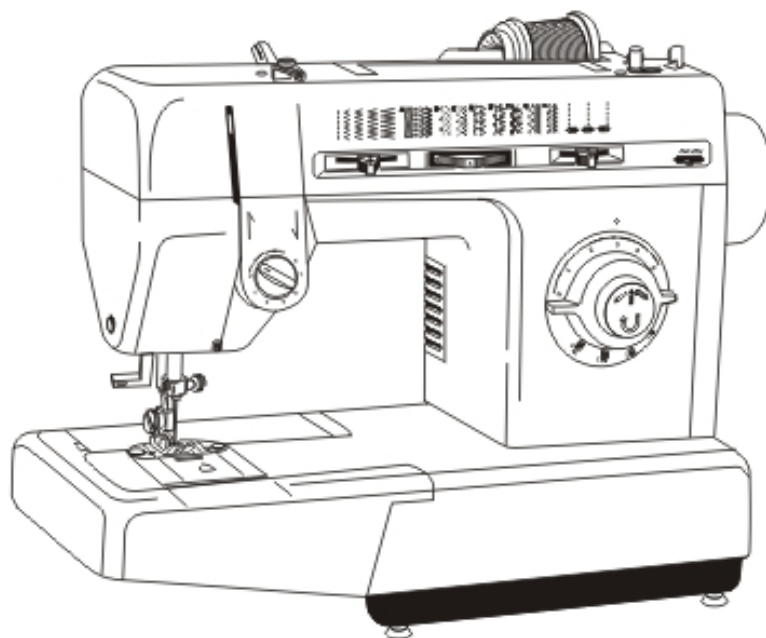


LIST OF PARTS SEWING MACHINE MODEL CG-590



THE SINGER COMPANY LIMITED
© 2005 SINGER DO BRASIL
ALL RIGHTS RESERVED

SINGER®
At Home Worldwide

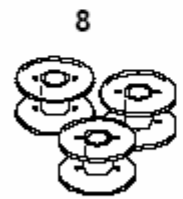
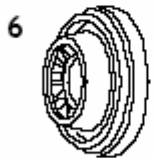
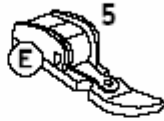
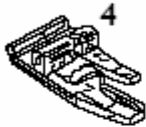
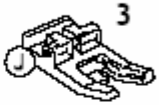
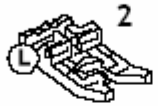
PRINTED IN BRAZIL
P/N: 358485-001
Fev./2005

SUB-ASSEMBLY

<i>PAGESREF.</i>	<i>DESCRIPTION</i>
01, 02	ATTACHMENT SET
03, 04	OPTIONALACCESSORIES(OVER-THE-COUNTER)
05, 06	ARM,BED,THROATPLATE&BEDSLIDE
07, 08	ARMTOPCOVER
09,10	COVERS&ADD-ONS
11,13	NEEDLE BAR,PRESSERBAR&AUTOMATICNEEDLETHREADERHOUSING
14,15	PRESSERBAR
16,17	ARMSHAFTDRIVE
18,19	HANDWEEL
20,21	TENSIONMECHANISM
22,23	HOOKSYSTEM
24,25	BIGHTAMPLITUDE
26,27	NEEDLEPOSITION
28,29	PATTERNSELECTOR
30,31	CAMSTACK
32,33	BUTTONHOLER&FEEDREGULATORCAM
34,35	CAMCONTROLLEDFEED
36,38	FEEDSYSTEM
39,40	ELECTRICALEQUIPMENT

ATTACHMENT SET

1

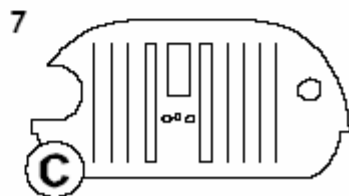
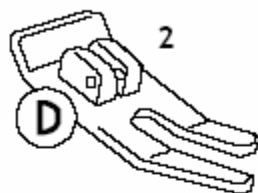
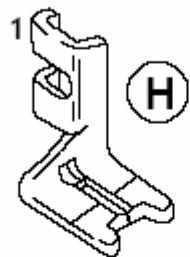


REV.: _____
DATE: _____

ATTACHMENT SET

REF. P/N.	DESCRIPTION
1 358394004	ATTACHMENT SET COMPLETE
2 161927-451	PRESSER FOOT (SNAP-ON) FOR SEWING BUTTONHOLES(L)
3 446492-000	SPECIAL PURPOSE PRESSER FOOT (J)
4 356630-000	BLINDSTITCH HEM PRESSER FOOT
5 507836-000	ZIPPER FOOT (E)
6 307664470	SPOOL PIN HOLDER (LARGE)
7 179967464	SPOOL PIN HOLDER (SMALL) (Q)
8 172336-000	BOBBIN (PLASTIC)
9 353364-000	NEEDLE PACK

OPTIONAL ACCESSORIES (OVER-THE-COUNTER)



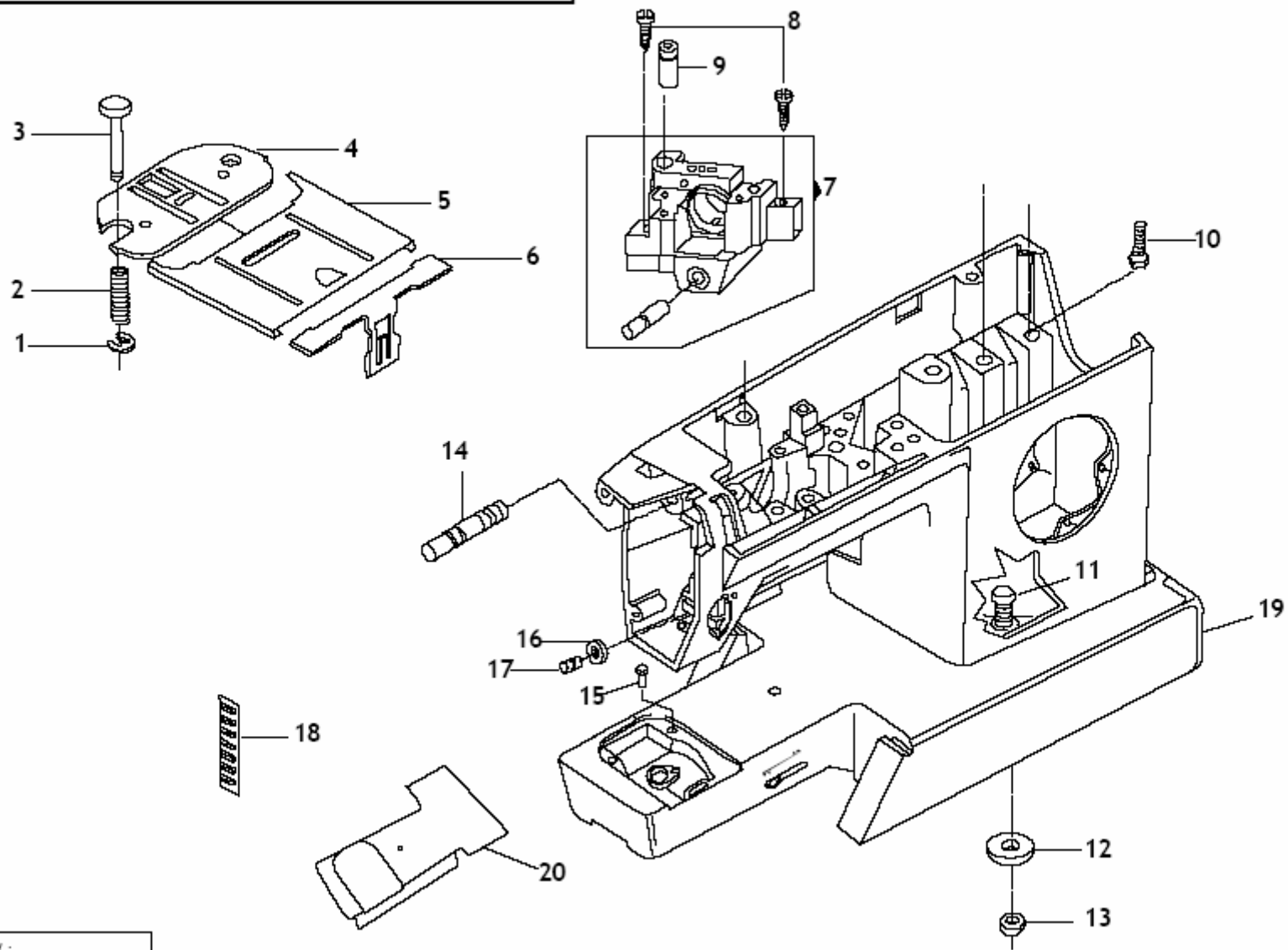
REV.: _____

DATE: _____

OPTIONAL ACCESSORIES

<i>REF. P/N.</i>	<i>DESCRIPTION</i>
1 179911	BUTTONSEWINGFOOT(H)
2 153267	STRAIGHTSTITCHPRESSERFOOT(D)
3 8879-656	FELT
4 546358	LINTBRUSH
5 531868	TWINNEEDLE
6 358129	SINGEROILCONTAINER
7 161927	NEEDLEPLATE(C)
8 356492-453	SPOOLPIN

ARM, BED, THROAT PLATE & BED SLIDE

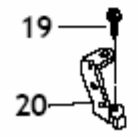
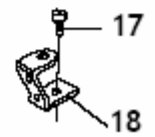
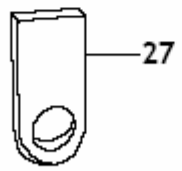
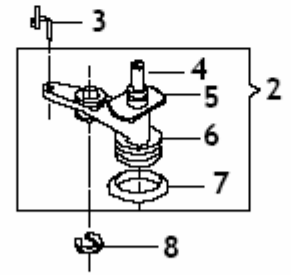
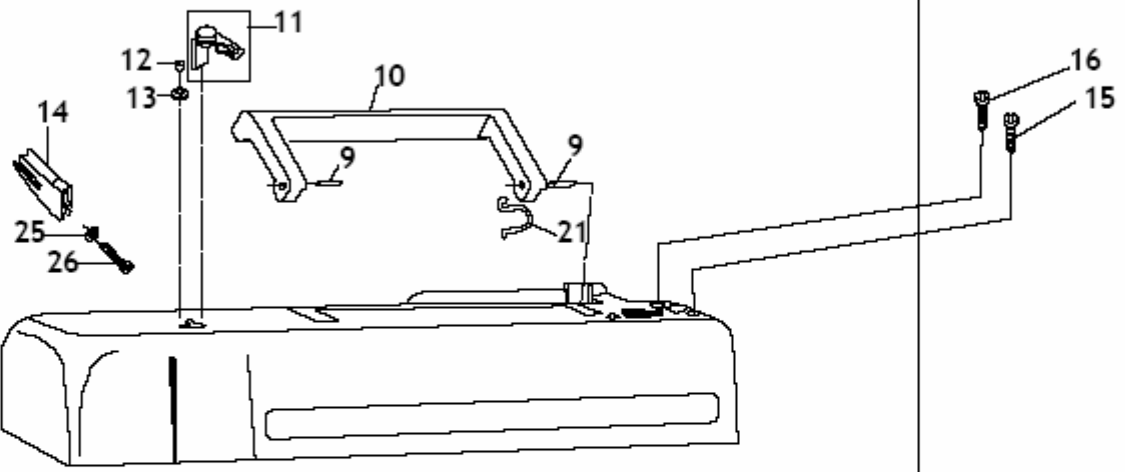


REV.: _____
 DATE: _____

ARM,BEDANDTHROATPLATESLIDE

<i>REF. P/N</i>	<i>DESCRIPTION</i>
1 179926	THROATPLATECLAMPSPRINGRETAININGRING
2 357611	THROATPLATECLAMPSPRING
3 353597	THROATPLATECLAMP
4 356713	THROATPLATEFORZIG-ZAGSEWING
5 356715	BEDSLIDE
6 446482	BEDSLIDESPRING(SNAP-ON)
7 357017-002	ARMSHAFT(REAR) HOUSINGASSEMBLY
8 113455-006	ARMSHAFT(REAR) HOUSINGMOUNTINGSCREW
9 357019	ARMTOPCOVERSUPPORTSTUD
10 357020-451	ARMSHAFT(REAR) HOUSINGMOUNTING BOLT
11 355250-451	BED(BOTTOM)COVERCABINETBOLT
12 353375-451	BED(BOTTOM)COVER&CABINETBOLTWASHER
13 514608	BED(BOTTOM)COVER&CABINETBOLTNUT
14 446375	THREADTAKE-UPLEVERLINKHINGESTUD
15 353624	THROATPLATEPOSITIONPIN
16 357464-002	TENSIONRELEASINGLEVERHINGEPINWASHER
17 357438-001	TENSIONRELEASINGLEVERHINGEPIN
18 356957-900	ARMINSERTMOTORVENTGRILL
19 358153-453	ARM&BEDORNAMENTED
20 359172-451	BEDEXTENSIBLETHROATPLATE

ARM TOP COVER

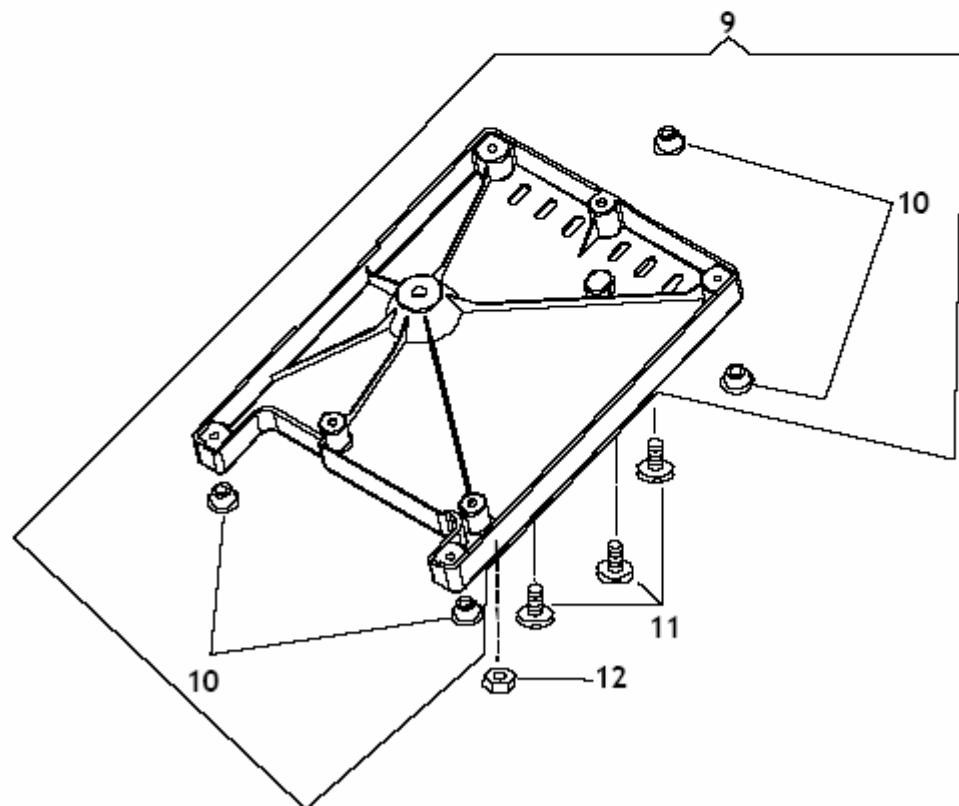
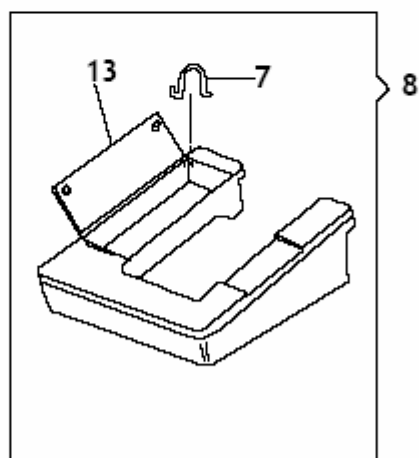
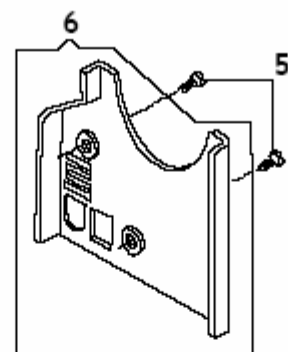
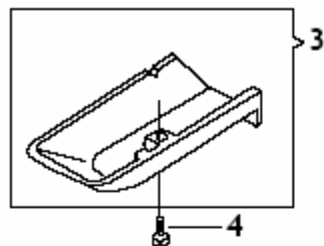
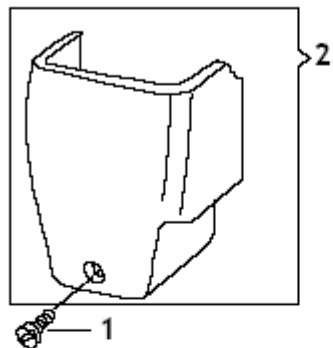


REV.: _____
DATE: _____

ARM TOP COVER

REF. P/N	DESCRIPTION
1 358392003	ARM TOP COVER COMPLETE
2 531767458	BOBBIN WINDER ASSEMBLY
3 531766	BOBBIN WINDER HINGE STUD SPRING
4 357081-452	BOBBIN WINDER SPINDLE COMPLETE
5 357082-452	BOBBIN WINDER FRAME
6 44440-001	BOBBIN WINDER PULLEY
7 15287-701	BOBBIN WINDER FRICTION RING (RUBBER)
8 445486	BOBBIN WINDER RETAINING RING
9 357325-900	ARM TOP COVER MACHINE HANDLE HINGE PIN
10 357329902	ARM TOP COVER MACHINE HANDLE
11 356047	BOBBIN WINDER TENSION COMPLETE
12 141936-833	BOBBIN WINDER TENSION BRACKET ADJUSTING SCREW
13 44794	BOBBIN WINDER TENSION BKT. ADJUSTING SCREW RET. CLIP
14 357084453	ARM TOP COVER THREAD GUIDE
15 354975-451	ARM TOP COVER SCREW (RIGHT, FRONT)
16 354895-453	ARM TOP COVER SCREW
17 354826-451	ARM TOP COVER MOUNTING BRACKET SCREW
18 531765	ARM TOP COVER MOUNTING BRACKET (LEFT)
19 113455-001	ARM TOP COVER MOUNTING BRACKET SCREW
20 353343	ARM TOP COVER MOUNTING BRACKET (RIGHT)
21 357002	ARM TOP COVER LID SPRING
22 141920-455	BOBBIN WINDER STOP SCREW
23 445924	BOBBIN WINDER STOP
24 53640-819	BOBBIN WINDER STOP SCREW NUT
25 446138	ARM TOP COVER THREAD GUIDE SCREW WASHER
26 356116-451	ARM TOP COVER THREAD GUIDE SCREW
27 356843469	ARM TOP COVER SHROUDER

COVERS & ADD-ONS



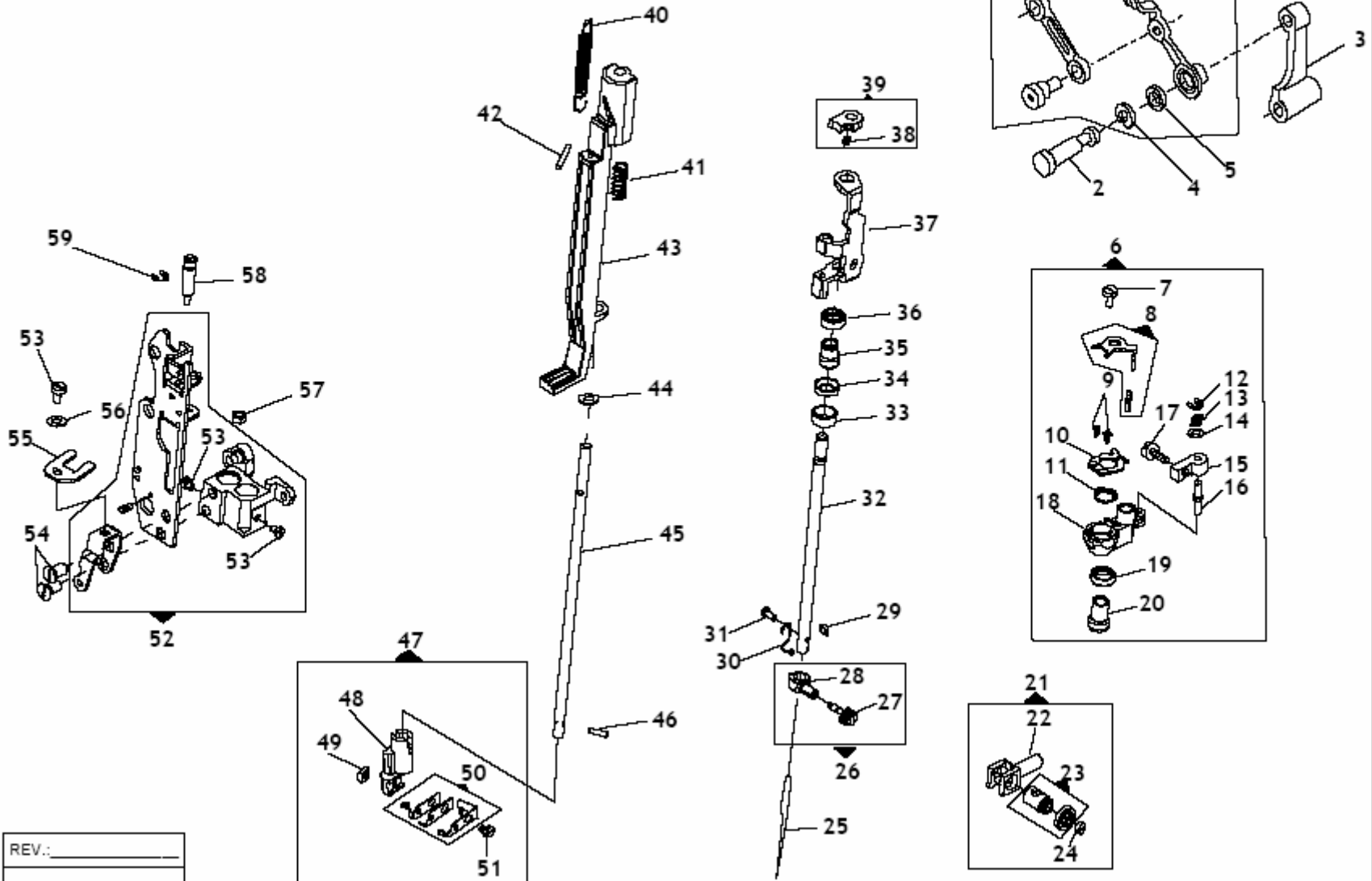
REV.: _____

DATE: _____

COVERS AND ADD-ONS

REF. P/N	DESCRIPTION
1 354133-453	FACE PLATE SCREW
2 358388005	FACE PLATE COMPLETE
3 446493002	BED (TUBULAR) BOTTOM COVER (PLASTIC)
4 354895-453	BED (TUBULAR) BOTTOM COVER FASTENING SCREW
5 364063-451	ARM END COVER SCREW
6 358387106	ARM END COVER
7 357002	BED EXTENSION SPRING
8 356989454	BED EXTENSION PLATE
9 359188-000	BED (BOTTOM) COVER (PLASTIC) WITH NONSKID BED CUSHION
10 359190-900	BED CUSHION
11 113455-001	BED (BOTTOM) COVER FASTENING SCREW
12 514608	BED (BOTTOM) COVER FASTENING SCREW NUT
13 356956-001	BED EXTENSION ID

**NEEDLE BAR, PRESSER BAR & AUTOMATIC
NEEDLE THREADER HOUSING**



REV.: _____
DATE: _____

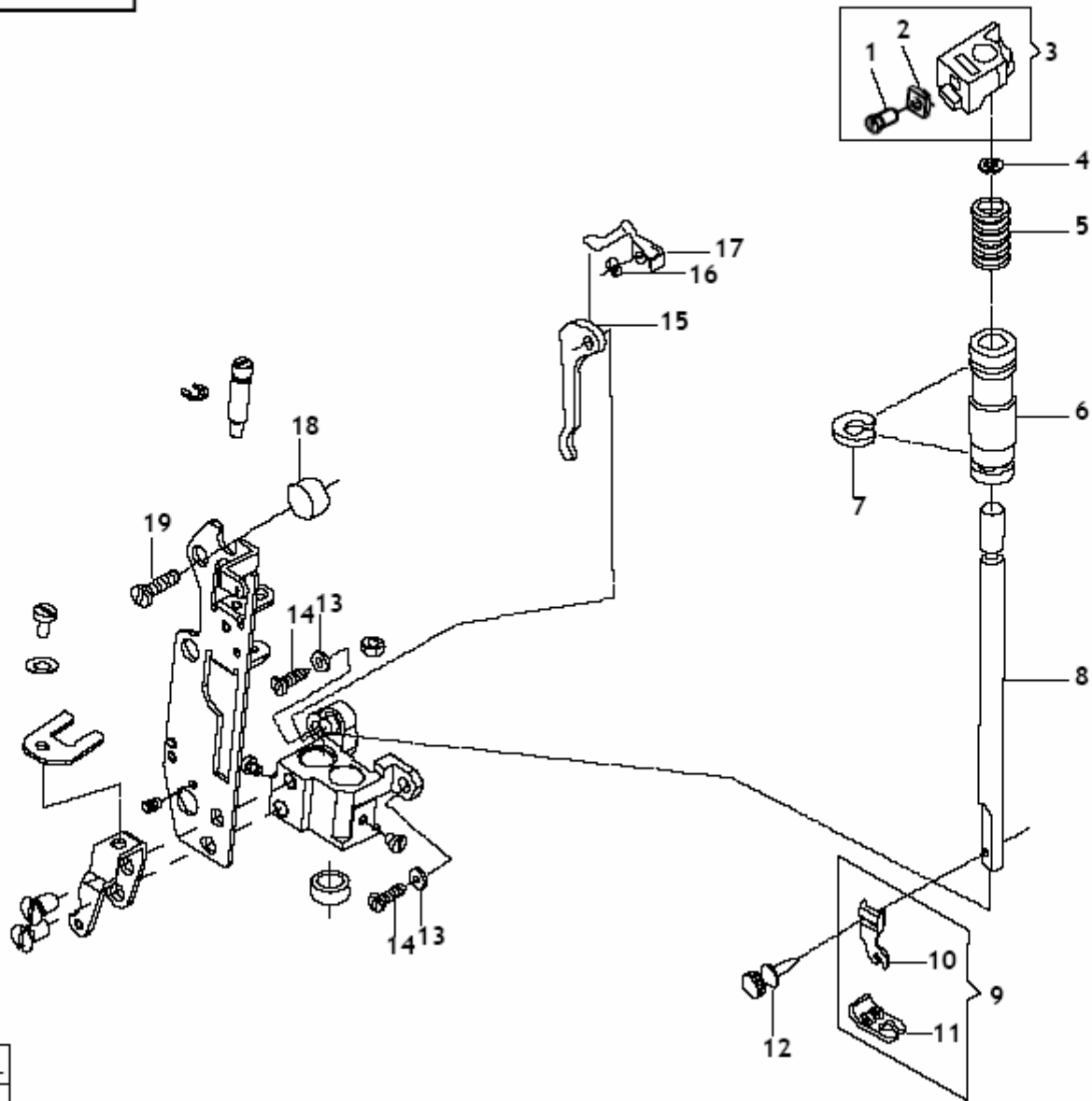
NEEDLEBAR,PRESSERBAR&AUTOMATICNEEDLETHREADERHOUSING

REF. P/N	DESCRIPTION
1	445672-000 THREADTAKE-UPLEVERCOMPLETE
2	357788-000 THREADTAKE-UPSTUD
3	446357-000 NEEDLEBARCONNECTINGLINK
4	445486-000 THREADTAKE-UPSTUDRETAININGRING
5	543531-000 THREADTAKE-UPSTUDTHRUSTWASHER
6	358049-001 NEEDLEBARVIBRATINGBRACKETCOMPLETE
7	354826-451 NEEDLEBARDRIVINGARMHINGEBRACKETSCREW
8	358050-000 NEEDLELIMITERSTOP SUPPORTASSEMBLY
9	357925-900 VIBRATINGBRACKETCOVERSCREW
10	357871-900 VIBRATINGBRACKETCOVER
11	357911-900 VIBRATINGBRACKETCOVERSPRING
12	179926-451 NEEDLEBARDRIVINGARMHINGEBRACKETHINGESPRINGRETAININGRING
13	357504-000 NEEDLEBARDRIVINGARMHINGEBRACKETHINGEPINSPRING
14	446138-000 NEEDLEBARDRIVINGARMHINGEBRACKETHINGESPRINGWASHER
15	357503-000 NEEDLEBARDRIVINGARMHINGEBRACKET
16	357502-001 NEEDLEBARDRIVINGARMHINGEBRACKETHINGEPIN
17	355272-451 NEEDLEBARDRIVINGARMHINGEBRACKETSCREW
18	353521-000 NEEDLEBARDRIVINGARMHINGEBRACKET
19	357615-000 NEEDLEBARBALLBUSHINGUPPERSOCKET
20	357897-900 NEEDLEBARBALLBUSHINGUPPER
21	353549-940 NEEDLEBARCONNECTINGSTUD
22	358051-000 NEEDLEBARCONNECTINGSTUDWITHHINGEPIN
23	358052-000 NEEDLEBARCONNECTINGSTUDHINGEPINASSEMBLY
24	141916-833 NEEDLEBARCLAMPINGSCREW
25	204514-100 NEEDLE2045SIZENBR.14
26	357430-001 NEEDLECLAMPBODYWITHSCREW
27	355248-451 NEEDLETHUMBSCREW
28	357429-001 NEEDLECLAMPBODY
29	37943-000 NEEDLEBARGIB
30	357421-001 NEEDLECLAMPTHREADGUIDE

NEEDLE BAR, PRESSER BAR & AUTOMATIC NEEDLE THREADER HOUSING(CONT.)

REF. P/N	DESCRIPTION
31	141920-455 NEEDLE CLAMP BODY, N.C.T. GUIDE & N. STOP SCREW
32	357866-900 NEEDLE BAR
33	446361-001 NEEDLE BAR BALL BUSHING (LOWER) ADJUSTING COLLAR
34	357981-900 NEEDLE BAR BALL BUSHING SOCKET
35	357899-901 NEEDLE BAR BALL BUSHING (LOWER) MACHINED
36	357898-901 NEEDLE BAR BUSHING LOWER SOCKET
37	357870-900 NEEDLE THREADER MECHANISM SUPPORT
38	357921-900 NEEDLE THREADER STOP SCREW
39	358053-000 NEEDLE THREADER STOP ASSEMBLY
40	357913-900 NEEDLE THREADER ACTUATING SUPPORT SPRING
41	357912-900 NEEDLE THREADER ACTUATING CAM SPRING
42	357869-900 NEEDLE THREADER ACTUATING SPRING
43	357872004 NEEDLE THREADER ACTUATING SUPPORT
44	357920-900 RUBBER RING
45	357865-900 NEEDLE THREADER SHAFT
46	358047-000 NEEDLE THREADER SHAFT ASSEMBLY
47	358071002 NEEDLE THREADER ASSEMBLY SUPPORT COMPLETE
48	357873902 NEEDLE THREADER ASSEMBLY SUPPORT COMPLETE
49	357923-900 NEEDLE THREADER SET SCREW NUT
50	358070-000 NEEDLE THREADER HOOK ASSEMBLY
51	357922-900 NEEDLE THREADER SET SCREW
52	358043-000 NEEDLE BAR & PRESSER BAR HOUSING COMPLETE
53	354592-451 NEEDLE BAR BALL BUSHING (LOWER) COLLAR SET SCREW
54	113480-451 NEEDLE BAR & PRESSER BAR HOUSING PLATE MOUNTING SCREW
55	354592-451 NEEDLE THREADER SUPPORT GUIDE PLATE
56	358162-000 NEEDLE THREADER S. GUIDE PLATE SCREW WASHER
57	3357093-451 NEEDLE BAR VIBRATING BRACKET HINGE PIN NUT
58	446359-000 NEEDLE BAR VIBRATING BRACKET HINGE PIN
59	445721-000 NEEDLE BAR VIBRATING BRACKET HINGE PIN RETAINING RING

PRESSER BAR



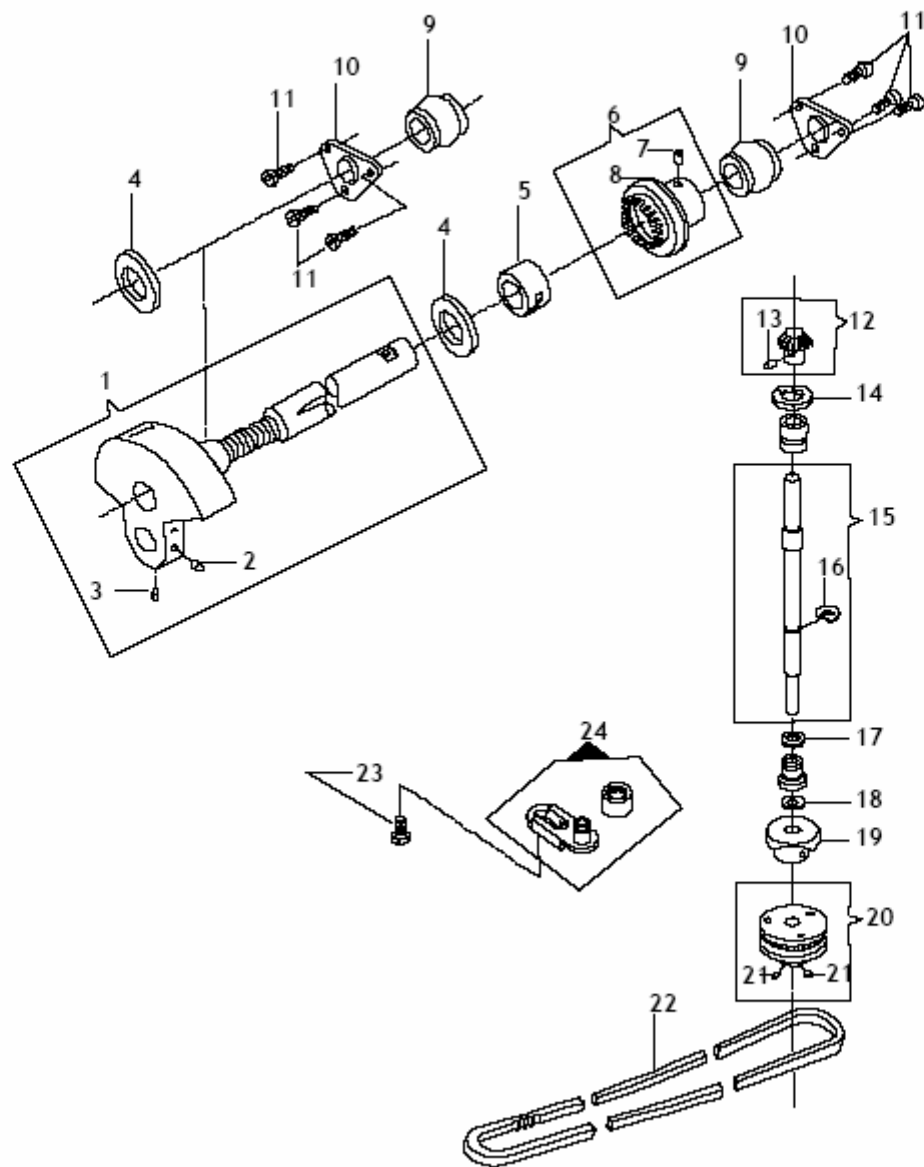
REV.: _____

DATE: _____

PRESSER BAR

<i>REF. P/N</i>	<i>DESCRIPTION</i>
1 355279-451	PRESSER BAR GUIDE BRACKET SET SCREW
2 353367-451	PRESSER BAR GUIDE BRACKET NUT
3 357363	PRESSER BAR GUIDE BACKET ASSEMBLY
4 353215	PRESSER BAR SPRING RETAINING RING (UPPER)
5 357362	PRESSER BAR SPRING
6 445947-001	PRESSER BAR BUSHING
7 357604	PRESSER BAR BUSHING LOCATING RING
8 358090-000	PRESSER BAR
9 446372	PRESSER FOOT (SNAP-ON) COMPLETE FOR ZIG-ZAG SEWING
10 155964	PRESSER FOOT SHANK (SNAP-ON)
11 446371	PRESSER FOOT PLATE (SNAP-ON) FOR ZIG-ZAG SEWING
12 354135-452	PRESSER FOOT THUMB SCREW
13 353375-451	NEEDLE BAR, PRESSER BAR & VIBRATING BRACKET HOUSING MOUNTING SCREW (LOWER) WASHER
14 113434-451	NEEDLE BAR, PRESSER BAR & VIBRATING BRACKET HOUSING MOUNTING SCREW (LOWER)
15 356170454	PRESSER BAR LIFTER
16 445486	TENSION RELEASING LEVER RETAINING RING
17 445925	TENSION RELEASING LEVER
18 531627	NEEDLE BAR, PRESSER BAR & VIBRATING BRACKET HOUSING HOUSING MOUNTING BUSHING
19 113455-009	NEEDLE BAR & PRESSER BAR VIBRATING BRACKET HOUSING MOUNTING SCREW (UPPER)

ARM SHAFT DRIVE



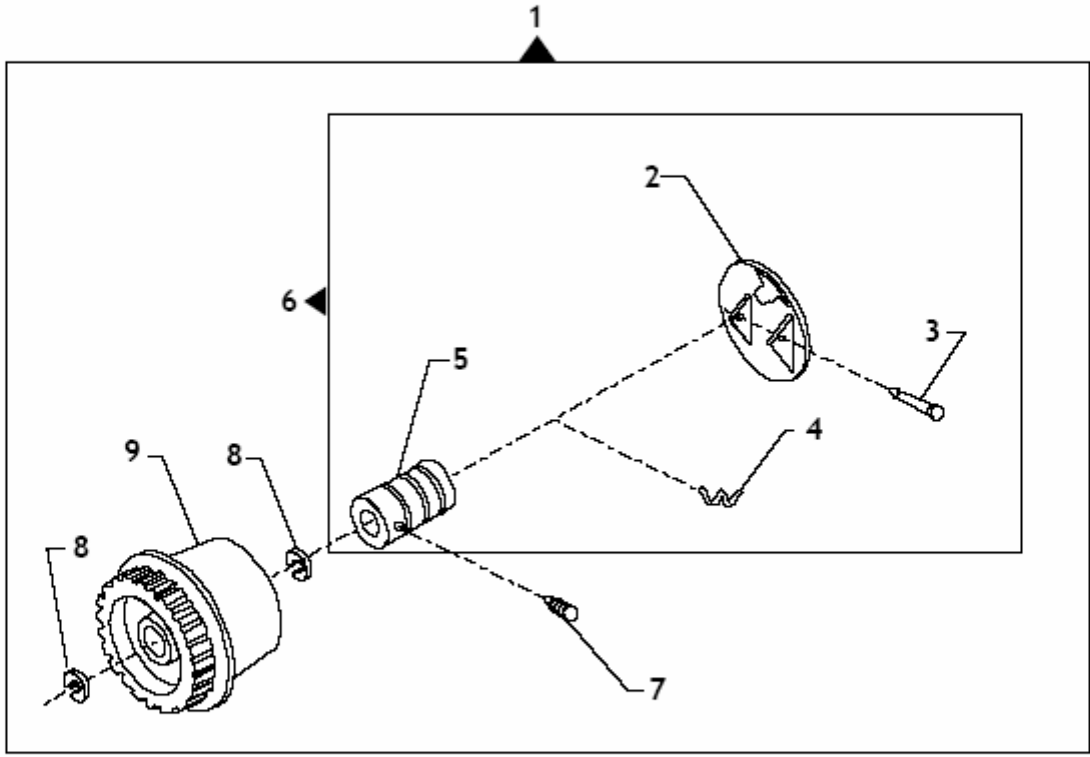
REV.: _____

DATE: _____

ARMSHAFTDRIVE

<i>REF. P/N</i>	<i>DESCRIPTION</i>
1	531684 ARMSHAFTCOMPLETE
2	354105-833 THREADTAKE-UPSETSCREW
3	141916-833 NEEDLEBARCRANKSTUDMOUNTINGSCREW
4	319764 ARMSHAFT(HORIZONTAL)RETAININGCOLLARWASHER
5	353580 ARMSHAFT(HORIZONTAL)RETAININGCOLLAR
6	353272 ARMSHAFT(HORIZONTAL)BEVELGEAR&FEEDLIFTING (ECCENTRIC)COMPLETE
7	354813-451 ARMSHAFT(HORIZONTAL)BEVELGEAR&FEEDLIFTING ECCENTRICSETSCREW
8	353413 ARMSHAFT(HORIZONTAL)BEVELGEAR&FEEDLIFTING ECCENTRICWASHER(PLASTIC)
9	446384 ARMSHAFTBUSHING(FRONT)
10	446385 ARMSHAFTBUSHING(FRONT)RETAININGBRACKET
11	113455-001 ARMSHAFTBUSHING(FRONT)RETAININGBRACKETSCREW
12	353273-002 ARMSHAFT(UPRIGHT)BEVELGEAR(PLASTIC)
13	354105-833 ARMSHAFT(UPRIGHT)BEVELGEARSETSCREW
14	356819 ARMSHAFT(UPRIGHT)FELTWASHER SETSCREW
15	179952-002 ARMSHAFT(UPRIGHT)ASSEMBLY
16	353215 ARMSHAFT(UPRIGHT)RETAININGRING
17	353394 ARMSHAFT(UPRIGHT)RETAININGRINGWASHER
18	319826 ARMSHAFT(UPRIGHT)BELTDRIVEPULLEYWASHER
19	446228 FEEDLIFTINGCAMCOMPLETE
20	353438-001 ARMSHAFT(UPRIGHT)BELTDRIVEPULLEYASSEMBLY COMPLETE
21	113518-451 ARM SHAFT(UPRIGHT)BELTDRIVEPULLEYRET. COLLAR SETSCREW
22	446237 BELT(ROTATINGHOOKDRIVE)
23	358287-451 ROTATINGHOOKDRIVEBELTTENSIONERSCREW
24	358224-001 ROTATINGHOOKDRIVEBELTTENSIONADJUSTER

HAND WHEEL



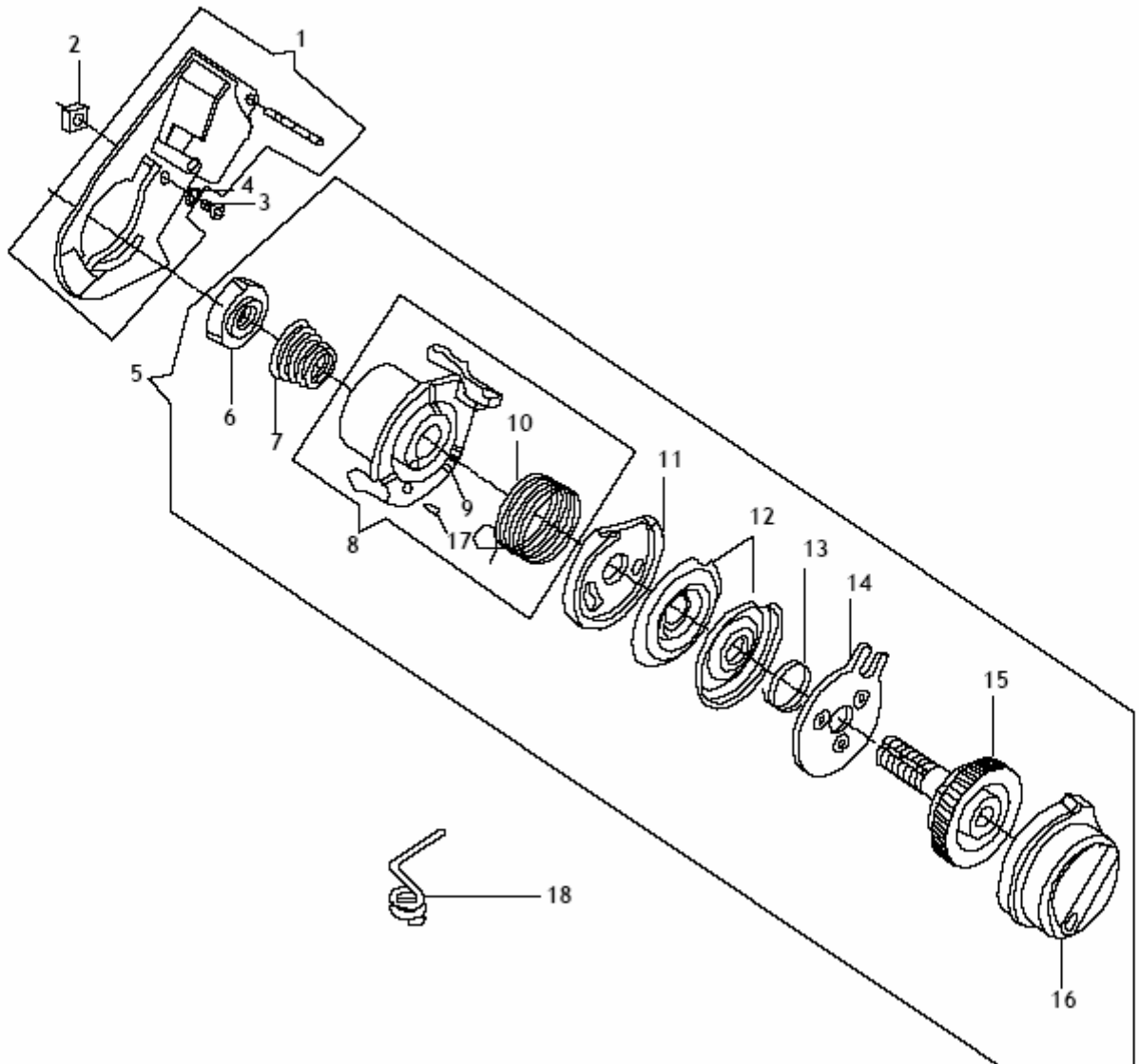
REV.: _____
DATE: _____

HAND WHEEL

Page 19

<i>REF. P/N</i>	<i>DESCRIPTION</i>
1 357009453	HAND WHEEL (ELECTRIC) COMPLETE
2 357367-902	HAND WHEEL DISENGAGING CLUTCH ENGAGING PLATE COVER
3 357364	HAND WHEEL DIS. CLUTCH ENGAGING PLATE HINGE PIN
4 357365	HAND WHEEL DISENGAGING CLUTCH ACTUATING SPRING
5 357359	HAND WHEEL DISENGAGING CLUTCH BUSHING
6 357368-453	HAND WHEEL DISENGAGING CLUTCH BUSHING COMPLETE
7 354813-451	HAND WHEEL DISENGAGING CLUTCH BUSHING SCREW
8 446387	HAND WHEEL RETAINING RING (TREADLE/ELECTRIC)
9 356958453	HAND WHEEL (PLASTIC)

TENSION MECHANISM

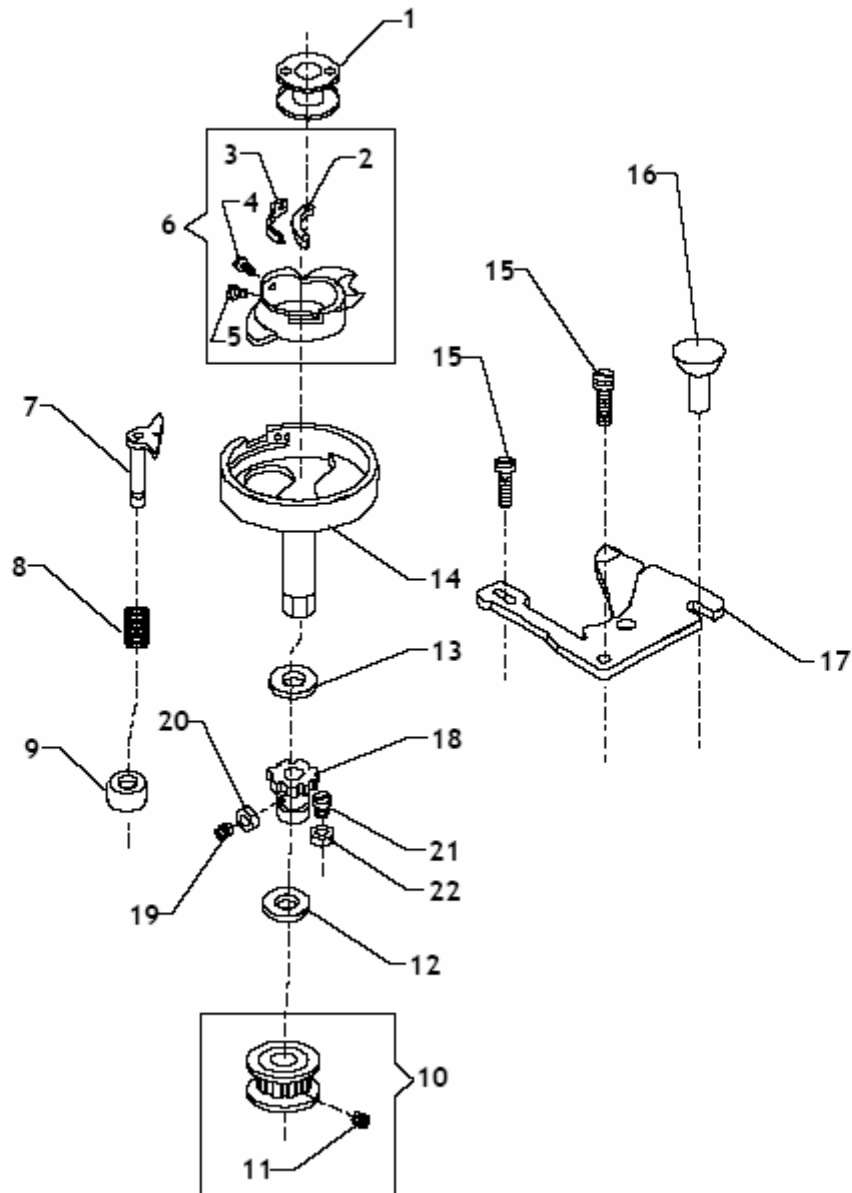


REV.: _____
DATE: _____

TENSION MECHANISM

REF. P/N	DESCRIPTION
1 356040455	TENSION MECHANISM SHROUDER ASSEMBLY
2 514698-451	TENSION MECHANISM SHROUDER SCREW NUT
3 141808-457	TENSION MECHANISM SHROUDER SCREW
4 356443	TENSION MECHANISM SHROUDER WASHER
5 356088485	TENSION MECHANISM ASSEMBLY
6 356095	TENSION STUD NUT
7 356096	TENSION SPRING
8 356245	TENSION MECHANISM SUPPORT ASSEMBLY
9 356089	TENSION MECHANISM SUPPORT
10 356097	THREAD TAKE-UP SPRING
11 356091	THREAD TAKE-UP SPRING THREAD GUARD
12 356094	TENSION DISC
13 358123-900	TENSION DISC PRESSURE PLATE SPRING
14 358124-900	TENSION DISC PRESSURE PLATE
15 356092-451	TENSION INDICATOR WITH STUD
16 356090485	TENSION INDICATOR DIAL
17 356246-900	TENSION MECHANISM SUPPORT PIN

HOOK SYSTEM



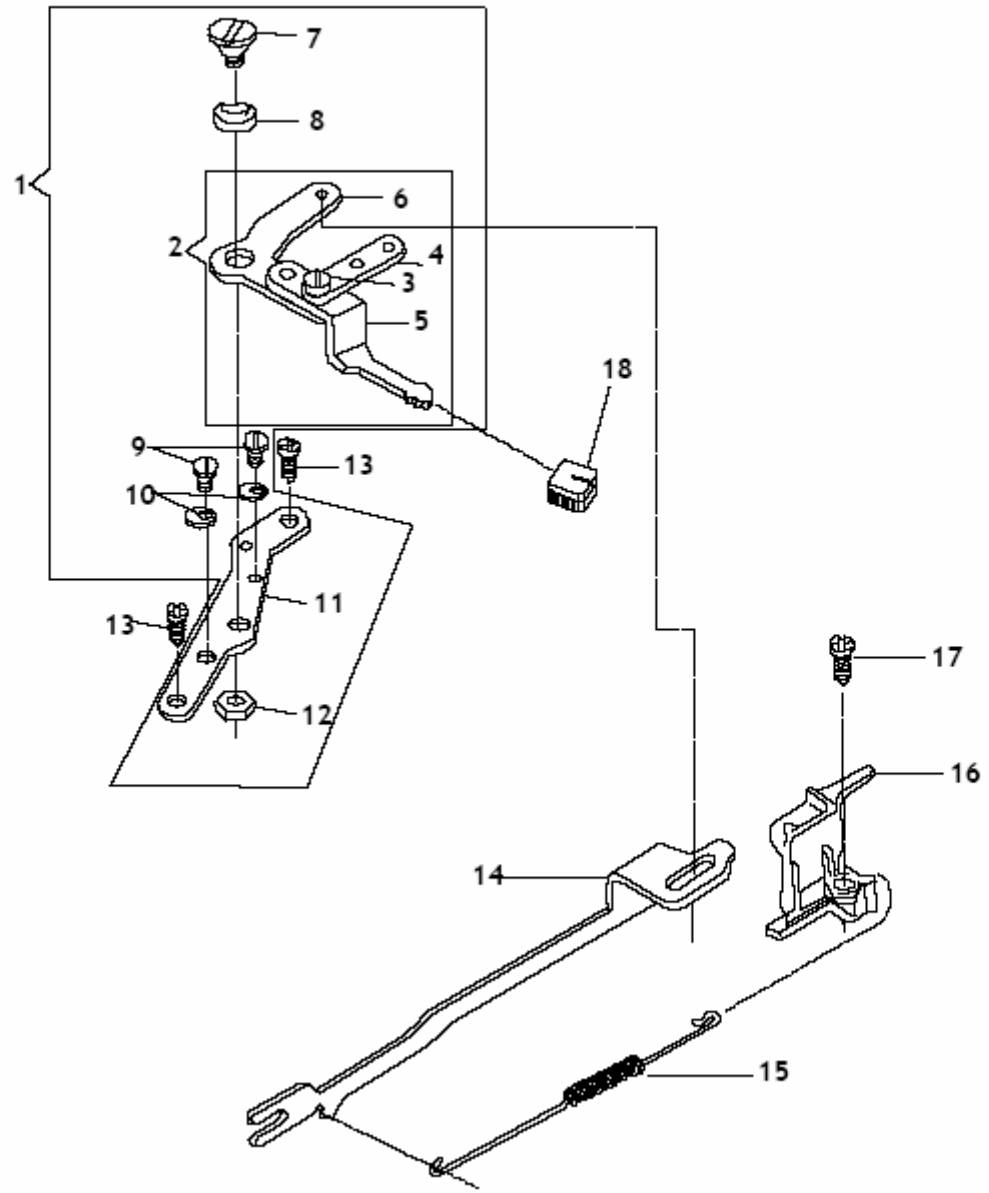
REV.: _____

DATE: _____

HOOKSYSTEM

REF.	P/N	DESCRIPTION
1	172336-000	ROTATINGHOOKBOBBIN(PLASTIC)
2	356490-451	ROTATINGHOOKBOBBINCASETENSIONSFRINGSEGMENT
3	314715-000	ROTATINGHOOKBOBBINCASETENSIONSFRING
4	355254-451	ROTATINGHOOKBOBBINCASETENSION REGULATINGSCREW
5	139975-452	ROTATINGHOOKBOBBINCASETENSIONSFRING SEG.SCREW
6	421325-001	ROTATINGHOOKBOBBINCASE
7	358021-000	ROTATINGHOOKBOBBINCASERETAININGPLATEASSEMBLY
8	358018-900	ROT.HOOKBOBBINCASERET.PLATESTUDSFRING
9	358019-900	ROT.HOOKBOBBINCASERET.PLATERETAININGFRING
10	446235-000	ROTATINGHOOKBELTDRIVEPULLEY
11	141803-451	ROTATINGHOOKBELTDRIVEPULLEYSCREW
12	382861-906	ROTATINGHOOKBELTDRIVEPULLEYWASHER
13	353453-000	ROTATINGHOOKWEARWASHER
14	353366-000	ROTATINGHOOKCOMPLETE
15	354917-451	ROTATINGHOOKBOBBINCASEPOSITIONPLATESCREW
16	357349-451	ROTATINGHOOKBOBBINCASERETAININGPLATE (ADJUSTABLE&POSITIONPLATE)STUD
17	44873-001	ROTATINGHOOKBOBBINCASEPOSITIONPLATE
18	353410-900	ROTATINGHOOKBUSHING
19	141938-833	ROTATINGHOOKBUSHINGSETSCREW
20	353367-451	ROTATINGHOOKBUSHINGSETSCREWNUT
21	141844-451	ROTATINGHOOKBUSHINGADJUSTINGSCREW
22	618638-005	ROTATINGHOOKBUSHINGADJUSTINGSCREWNUT

BIGHT AMPLITUDE

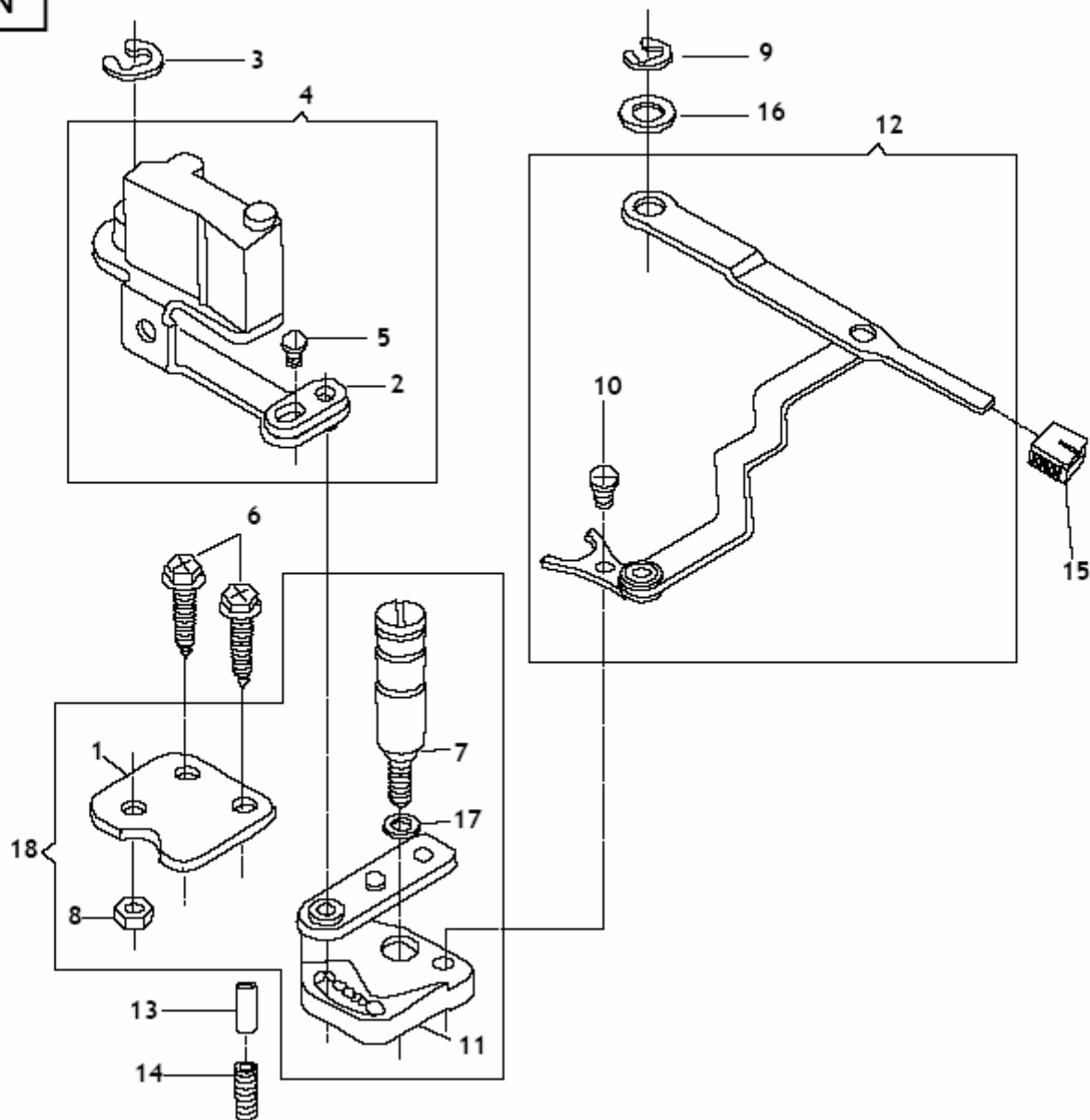


REV.: _____
DATE: _____

BIGHT AMPLITUDE

REF. P/N	DESCRIPTION
1 179893	BIGHTAMPLITUDE CONTROL LEVER MOUNTING BRACKET COMPLETE
2 446342	BIGHTAMPLITUDE CONTROL LEVER SUB-ASSEMBLY
3 139866-451	BIGHTAMPLITUDE CONTROL LEVER SCREW
4 44556	BUTTONHOLER BIGHT CONTROL CAM FOLLOWER LEVER LINK (LEFT)
5 446394	BIGHTAMPLITUDE CONTROL LEVER
6 37246	BIGHTAMPLITUDE CONTROL LEVER LINK
7 354825-451	BIGHTAMPLITUDE CONTROL LEVER LINK HINGE SCREW
8 49204	BIGHTAMPLITUDE CONTROL LEVER LINK HINGE SCREW FRICTION WASHER
9 141913-451	BIGHTAMPLITUDE CONTROL LEVER LINK STOP SCREW
10 446904	BIGHTAMPLITUDE CONTROL LEVER LINK STOP
11 531793	BIGHTAMPLITUDE CONTROL LEVER MOUNTING BRACKET
12 54591-451	BIGHTAMPLITUDE CONTROL LEVER LINK HINGE SCREW NUT SCREW
13 113455-001	BIGHTAMPLITUDE CONTROL LEVER MOUNTING BRACKET
14 37933-002	NEEDLE BAR DRIVING ARM
15 37942	NEEDLE BAR DRIVING ARM TENSION SPRING
16 445780	LIGHT LEAD SHIELD & NEEDLE BAR DRIVING ARM TENSION SPRING MOUNTING PLATE
17 113455-001	LIGHT LEAD SHIELD & NEEDLE BAR DRIVING ARM TENSION SPRING MOUNTING PLATE SCREW
18 356961458	BIGHTAMPLITUDE CONTROL LEVER KNOB (GRAY)

NEEDLE POSITION



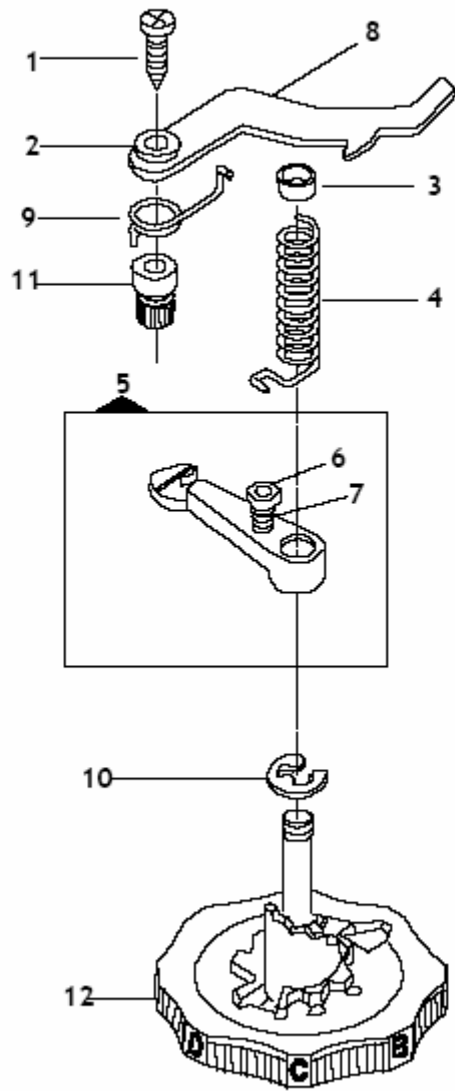
REV.: _____

DATE: _____

NEEDLE POSITION

REF. P/N	DESCRIPTION
1 446401	NEEDLE POSITION SELECTOR LEVER ADJUSTING PLATE
2 531736	NEEDLE POSITION SELECTOR LEVER BRACKET FOLLOWER STUD ARM ASSEMBLY
3 445721	NEEDLE BAR DRIVING ARM SLIDE BRACKET RETAINING RING
4 356735-001	NEEDLE BAR DRIVING ARM SLIDE BRACKET COMPLETE
5 141913-451	NEEDLE POSITION LEVER BRACKET STUD ARM SET SCREW
6 113455-001	NEEDLE POSITION SELECTOR LEVER ADJUSTING PLATE SCREW
7 357089	DISC FOLLOWER STUD
8 54591-451	NEEDLE POSITION SELECTOR LEVER ADJUSTING PLATE SCREW NUT
9 445486	NEEDLE POSITION SELECTOR LEVER RETAINING RING
10 141913-451	NEEDLE POSITION SELECTOR LEVER SCREW
11 44628	NEEDLE POSITION SELECTOR LEVER BRACKET ASSEMBLY
12 356744	NEEDLE POSITION SELECTOR LEVER COMPLETE
13 356228	NEEDLE POSITION SELECTOR LEVER BRACKET POSITIONING PIN
14 444800	NEEDLE POSITION SELECTOR LEVER BRACKET POSITIONING PIN SPRING
15 356961458	NEEDLE POSITION SELECTOR LEVER KNOB (PLASTIC) (GRAY)
16 49204	NEEDLE POSITION SELECTOR LEVER HINGE STUD WASHER
17 353585	DISC FOLLOWER STUD COLLAR
18 356838	NEEDLE POSITION SELECTOR LEVER BRACKET COMPLETE

PATTERN SELECTOR

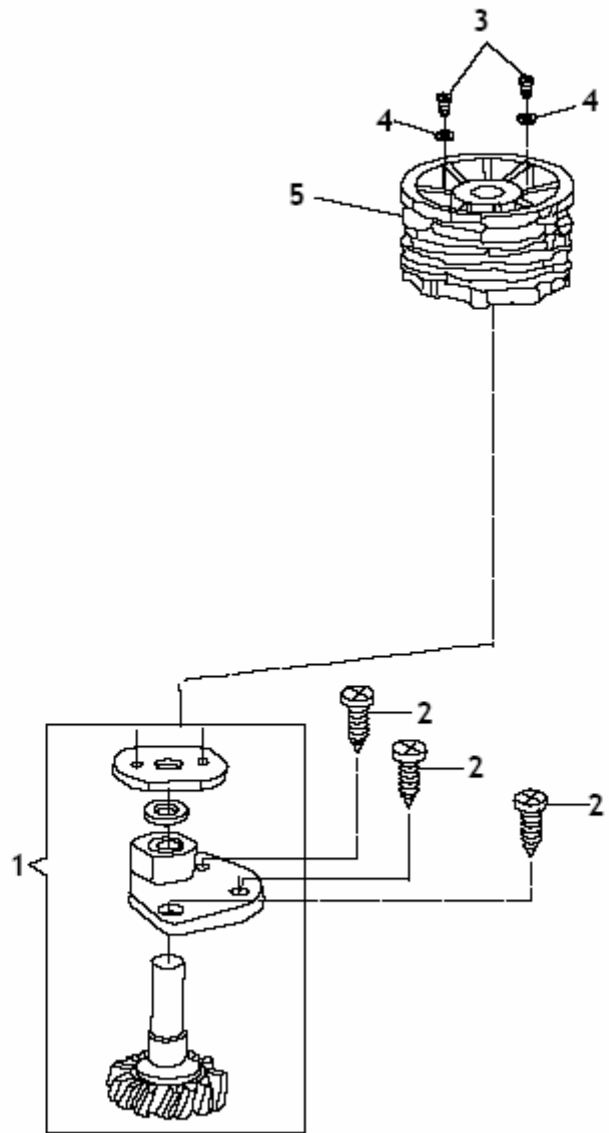


REV.: _____
DATE: _____

PATTERN SELECTOR

<i>REF. P/N</i>	<i>DESCRIPTION</i>
1 354826-451	DISC FOLLOWER DISENGAGING LEVER SCREW
2 356751	DISC FOLLOWER DISENGAGING LEVER BUSHING
3 353548	DISC FOLLOWER STUD WASHER
4 356768	DISC FOLLOWER SPRING
5 356770	DISC FOLLOWER COMPLETE
6 531699-451	DISC FOLLOWER ADJUSTING SCREW STUD NUT
7 445341	DISC FOLLOWER ADJUSTING SCREW STUD
8 356750	DISC FOLLOWER DISENGAGING LEVER
9 356752	DISC FOLLOWER DISENGAGING LEVER SPRING
10 603908-001	DISC SELECTOR CAM RETAINING RING
11 357000	DISC FOLLOWER DISENGAGING LEVER STUD
12 356749463	PATTERN SELECTOR CAM/DIAL (GRAY)

CAM STACK

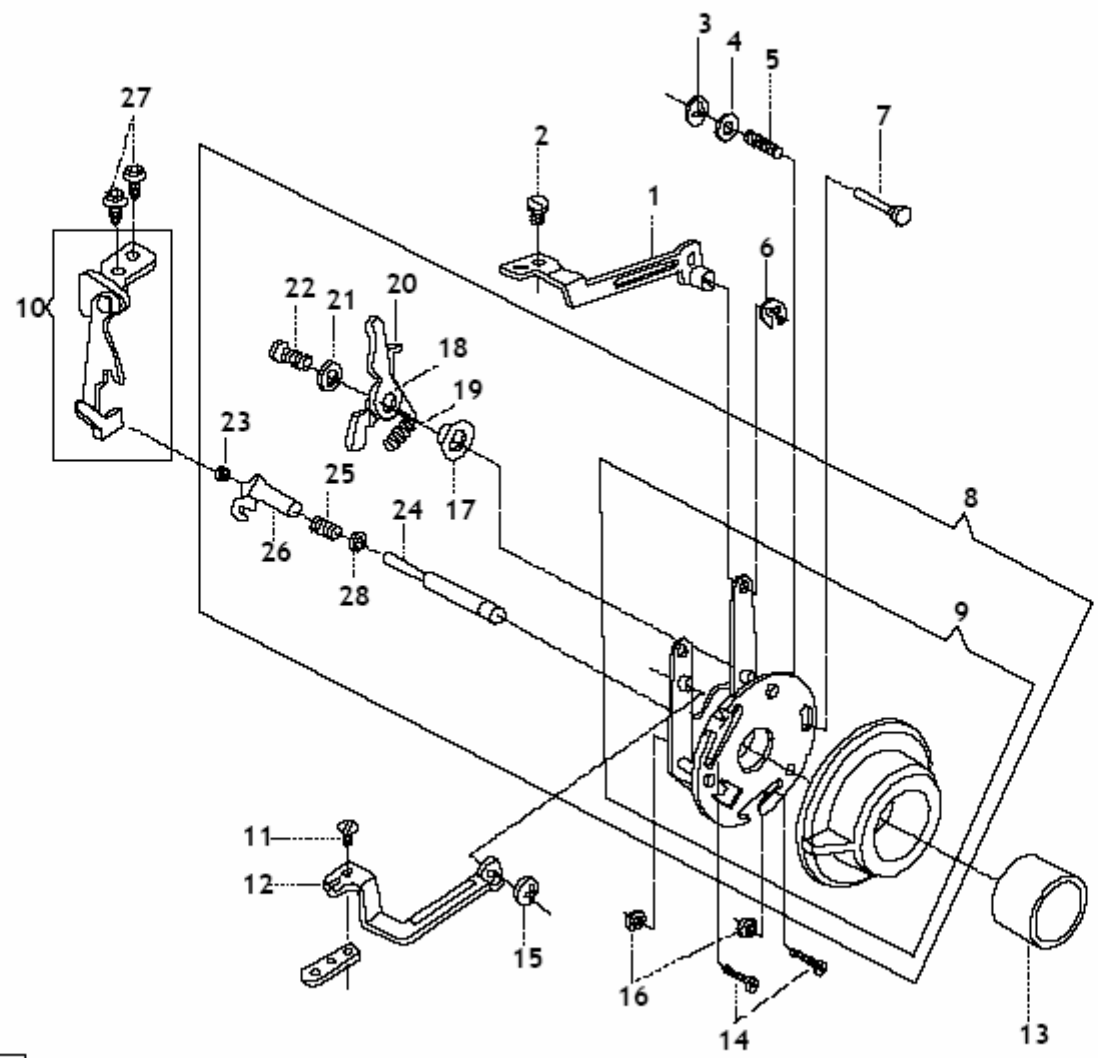


REV.: _____
DATE: _____

CAMSTACK

<i>REF.</i>	<i>P/N</i>	<i>DESCRIPTION</i>
1	356982	DISCDRIVINGGEARSHAFTMOUNTINGPLATEASSEMBLY
2	113455-012	DISCDRIVINGGEARSHAFTMOUNTINGPLATESCREW
3	141920-451	DISCSTACKPLATESCREW
4	446138	DISCSTACKPOSITIONINGSCREWWASHER
5	356969-000	DISCSTACK

BUTTONHOLER & FEED REGULATOR CAM

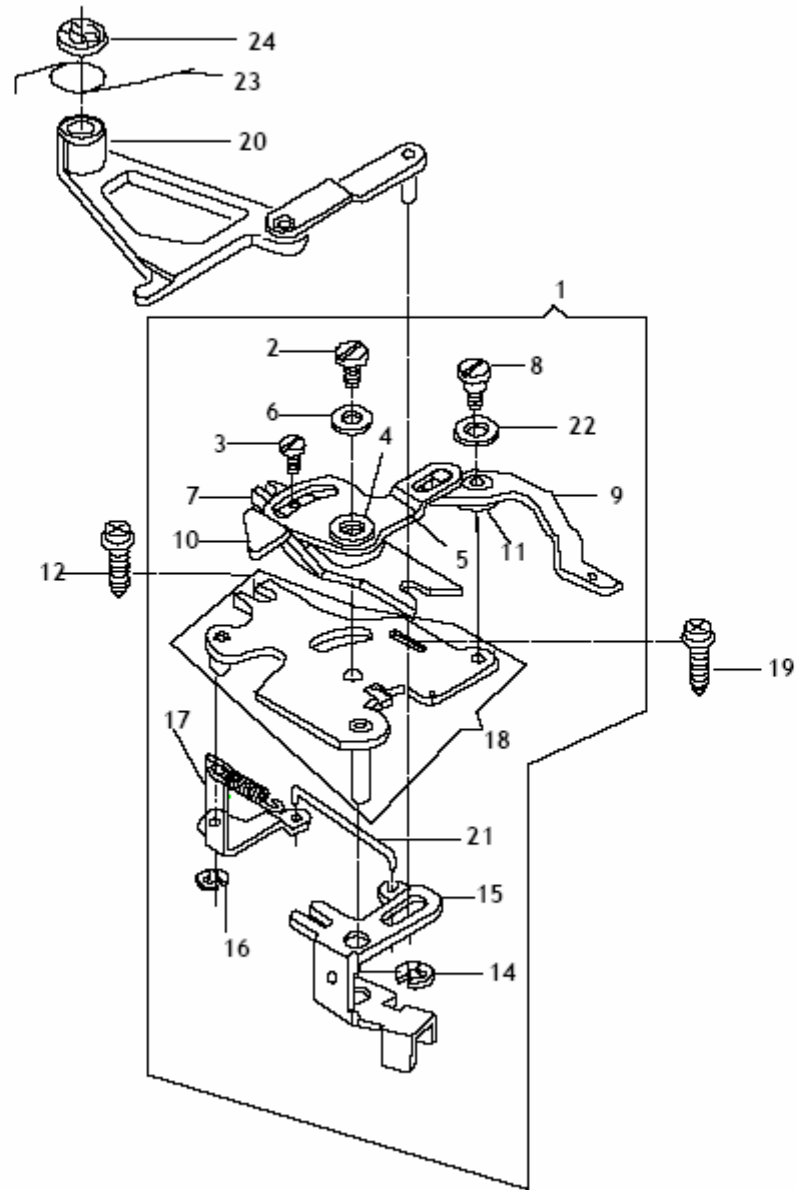


REV.: _____
DATE: _____

BUTTONHOLER AND FEED REGULATOR CAM

REF. P/N	DESCRIPTION
1 353536	BH.NEEDLE POSITION CAM FOLLOWER LEVER LINK (RIGHT)
2 141913-451	BH.ND.POS.CAM FOLLOWER LEVER LINK (LEFT & RIGHT) SCREW
3 408030	BH.& FEED REGULATOR MECHANISM MTG.PLATE STUD RET.RING
4 445808	BH.& FEED REG.MECH.MTG.PLATE STUD SPRING WASHER
5 179949	BUTTONHOLER & FEED REG.MECH.MTG.PLATE STUD SPRING
6 445486	BH.BIGHT CONTROL CAM FOL.LEVER LINK (RIGHT) RET.RING
7 356230	BUTTONHOLER & FEED REGULATOR MECH.MTG.PLATE STUD
8 357010947	BUTTONHOLER & FEED REGULATOR CAM COMPLETE
9 357010-470	BUTTONHOLER & FEED REGULATOR CAM ASSEMBLY
10 353304	FEED REGULATOR CONTROL ARM ASSEMBLY
11 141913-451	BUT. BIGHT CONT. CAM FOL. LEVER LINK (LEFT & RIGHT) SCREW
12 356748	BH.BIGHT CONTROL CAM FOLLOWER LEVER LINK (RIGHT)
13 356653481	FEED REGULATOR POSITIONING PIN KNOB
14 113513-451	BUTTONHOLER & FEED REGULATOR MECH.MTG.PLATE SCREW
15 445486	BH.RIGHT CONTROL CAM FOL.LEVER LINK (RIGHT) RET.RING
16 53640-819	BUTTONHOLER & FEED REG.MECH.MTG.PLATE SCREW NUT
17 353319	CAM CONTROL FEED ENG.CAM FOLLOWER & LEVER BUSHING
18 353321	CAM CONTROL FEED ENGAGING CAM FOLLOWER LEVER
19 353495	CAM CONTROL FEED ENG.CAM FOLLOWER & LEVER SPRING
20 353320	CAM CONTROL FEED ENGAGING CAM FOLLOWER
21 445539	CAM CONTROL FEED ENG.CAM FOLLOWER & LEVER WASHER
22 113372-451	CAM CONTROL FD.ENG.CAM FOLLOWER & LEVER MTG.SCREW
23 618638-005	FEED REGULATOR POSITIONING PIN CARRIER INSERT NUT
24 356650	FEED REGULATOR POSITIONING PIN
25 44892	FEED REGULATOR POSITIONING PIN FRICTION SPRING
26 357094	FEED REGULATOR POSITIONING PIN CARRIER
27 113455-001	FEED REGULATOR CONTROL ARM SCREW
28 356830-001	FEED REGULATOR POSITIONING PIN WASHER

CAM CONTROLLED FEED



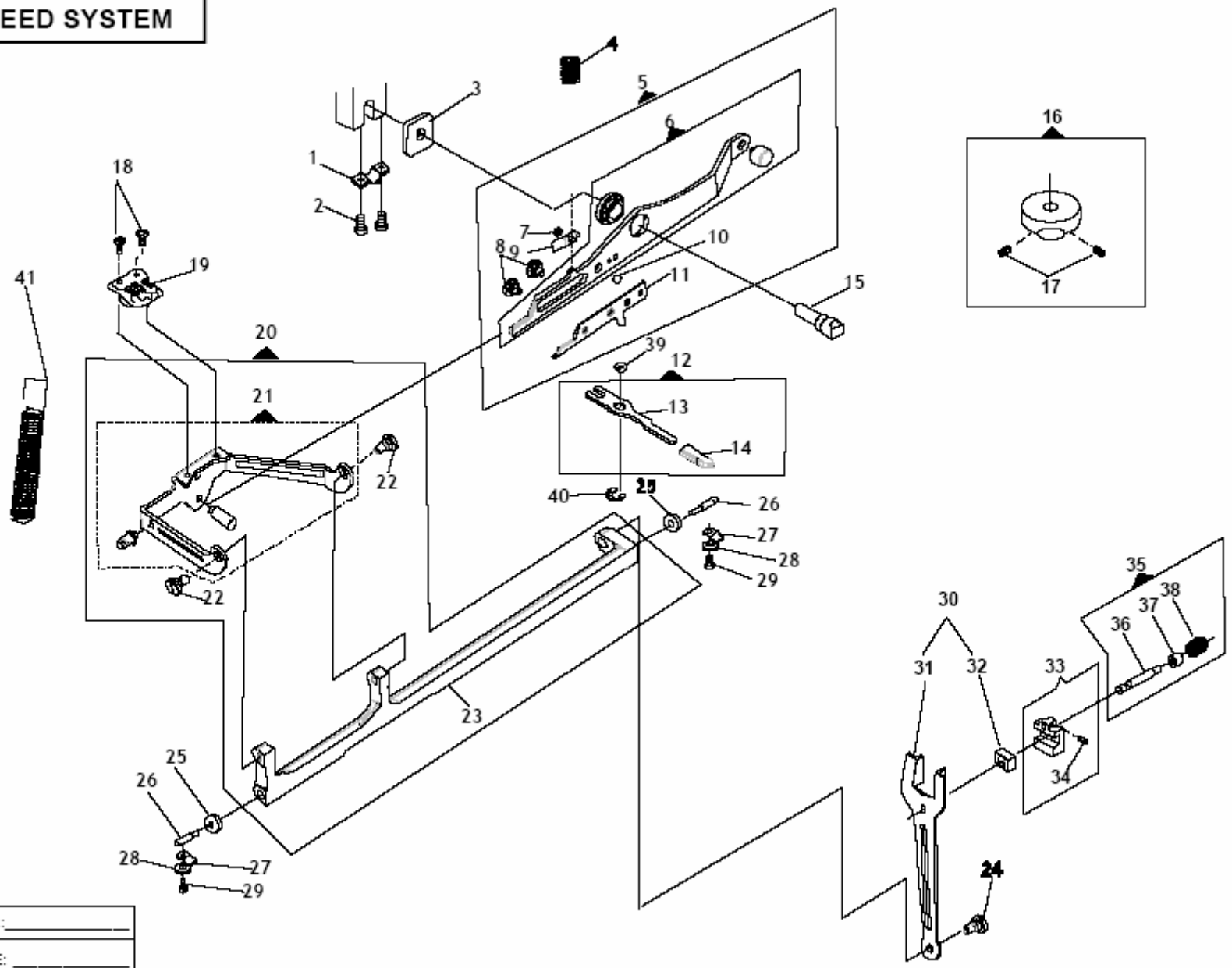
REV.: _____

DATE: _____

CAMCONTROLLEDFEED

<i>REF. P/N</i>	<i>DESCRIPTION</i>
1	531749-001 CAMCONTROLLEDFEEDMOUNTINGBRACKETCOMPLETE
2	113423-451 CAMCONTROLLEDFEEDBALANCEADJUSTINGPLATEHINGE SCREW
3	141913-451 CAMCONTROLLEDFEEDBALANCEADJUSTINGSCREW
4	353492 CAMCONTROLLEDFEEDBALANCEADJUSTINGSCREW SPRINGWASHER
5	531754 CAMCONTROLLEDFEEDBALANCEADJUSTINGPLATE
6	543531 CAMCONTROLLEDDEEDBALANCEADJUSTINGSCREW WASHER
7	353331 CAMCONTROLLEDFEEDDRIVINGARMECCENTRIC
8	113424-451 CAMCONTROLLEDFEEDBALANCEADJUSTINGLEVERHINGE SCREW
9	531752-453 CAMCONTROLLEDFEEDBALANCEADJUSTINGLEVER ASSEMBLY
10	353330-001 CAMCONTROLLEDFEEDDRIVINGARM
11	353334 CAMCONTROLLEDFEEDBALANCEADJUSTINGLEVER MOUNTINGBUSHING
12	355243-451 CAMCONTROLLEDFEEDMOUNTINGBRACKETSCREW
13	356605 FEEDREGULATORCONTROLARMBIASLINKSPRING
14	445721 CAMCONTROLLEDFEEDENGAGINGCRANKRETAININGRING
15	353329 CAMCONTROLLEDFEEDENGAGINGCRANK
16	445486 CAMCONTROLLEDFEEDFOLLOWER&LINKRETAININGRING
17	356166 CAMCONTROLLEDFEEDENGAGINGCRANKLEVER
18	531750 CAMCONTROLLEDFEEDMOUNTINGBRACKETASSEMBLY
19	113455-003 CAMCONTROLLEDFEEDMOUNTINGBRACKETSCREW(RIGHT)
20	356839 CAMCONTROLLEDFEEDFOLLOWER&LINKASSEMBLY
21	353473 CAMCONTROLLEDFEEDENGAGINGCRANKLINK
22	179898-001 CAMCONTROLLEDFEEDBALANCEADJUSTINGLEVERWASHER
23	357003 CAMCONTROLLEDFEEDFOLLOWERDISENGAGINGSPRING
24	445486 CAMCONTROLLEDFEEDFOLLOWER&LINKASSEMBLY RETAININGRING

FEED SYSTEM



REV.: _____
 DATE: _____

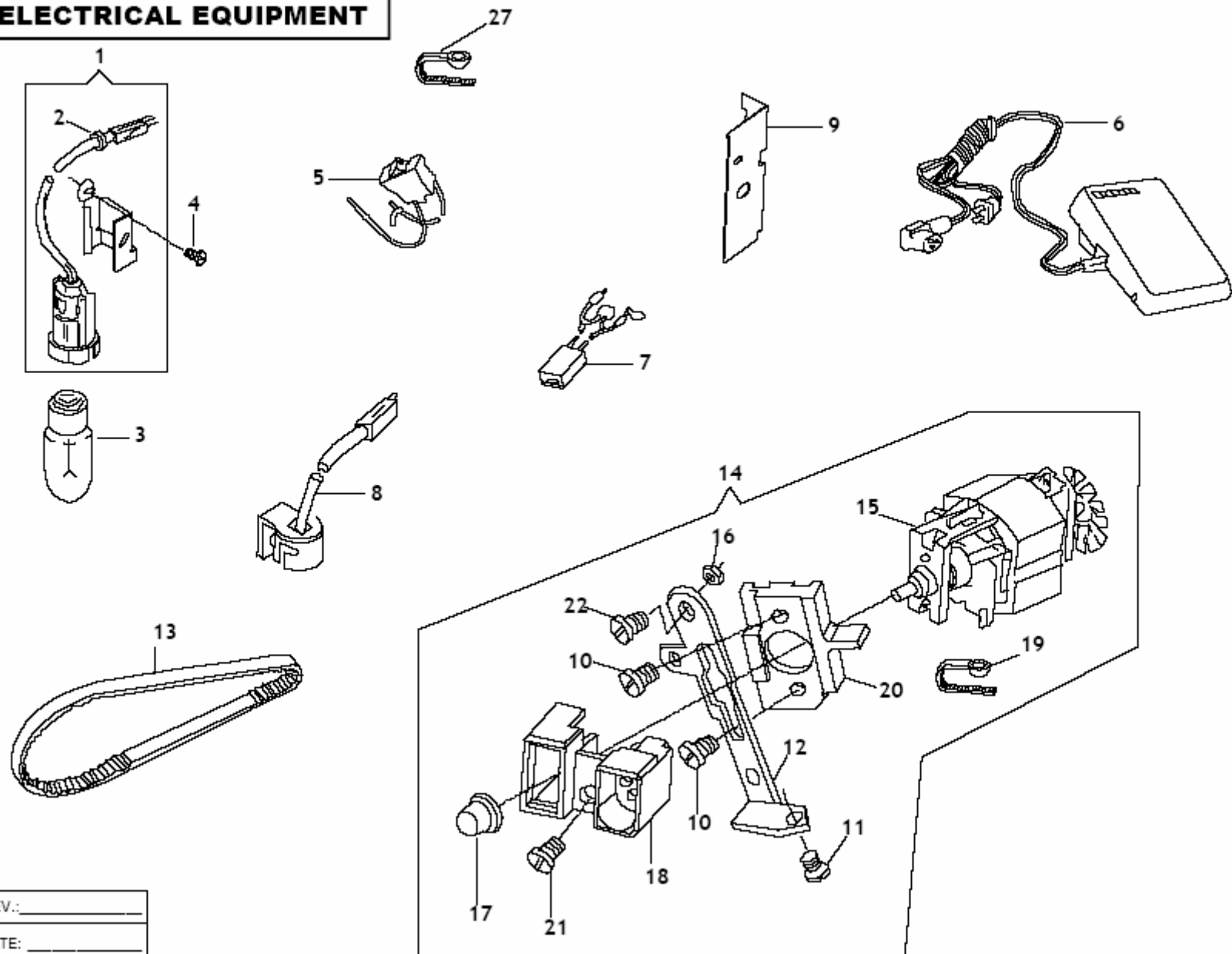
FEED SYSTEM

REF. P/N	DESCRIPTION
01 446485-000	FEED LIFTING LEVER HINGE STUD (ECCENTRIC) CLAMP
02 113455-001	FEED LIFTING LEVER HINGE STUD (ECCENTRIC) CLAMP SCREW
03 179955-000	FEED LIFTING LEVER HINGE STUD (ECCENTRIC) SPACER
04 446249-000	FEED LIFTING LEVER SPRING
05 358003-000	FEED LIFTING LEVER COMPLETE
06 358002-000	FEED LIFTING LEVER ASSEMBLY
07 357863-900	STOP SPRING FASTENING SCREW
08 357862-900	SLIDE LEVER GUIDE SCREW
09 357807-900	DROP-IN-FEED SPHERE SPRING STOP
10 357919-900	STOP SPHERE
11 357806-900	DROP-IN-FEED SPHERE RELEASING LEVER
12 358068-001	DROP-IN-FEED SELECTOR LEVER ASSEMBLY
13 357809-900	DROP-IN-FEED SELECTOR LEVER
14 357877902	DROP-IN-FEED SELECTOR LEVER BUTTON
15 353448-000	FEED LIFTING LEVER ECCENTRIC PIN
16 446228-000	FEED LIFTING CAM
17 544118-000	FEED LIFTING CAM SCREW
18 355235-451	FEED DOG SCREW
19 179891-000	FEED DOG
20 358069-000	FEED ROCK SHAFT COMPLETE
21 358001-000	FEED BAR COMPLETE
22 354939-451	FEED BAR HINGE SCREW
23 357636-901	FEED ROCK SHAFT (MACHINED)
24 531623-451	FEED FORKED CONNECTION HINGE SCREW (ECCENTRIC)
25 353397-000	FEED ROCK SHAFT CENTER (LEFT) NOISE DAMPENING WASHER
26 446487-001	FEED ROCK SHAFT CENTER
27 446484-000	FEED ROCK SHAFT CENTER CLAMP (LEFT & RIGHT)
28 353357-451	FEED ROCK SHAFT CENTER SLIP BRACKET SCREW WASHER

FEEDSYSTEM(CONT.)

<i>REF.</i>	<i>P/N</i>	<i>DESCRIPTION</i>
29	113455-001	FEEDLIFTINGLEVERHINGESTUDECCENTRIC)CLAMP
30	357641-000	FEEDFORKEDCONNECTIONWITHSLIDEBLOCK
31	357635-901	FEEDFORKEDCONNECTION
32	44437-000	FEEDFORKEDCONNECTIONSLIDEBLOCK
33	446244-000	FEEDREGULATORASSEMBLY
34	141925-833	FEEDREGULATORSETSCREW
35	353600-000	FEEDREGULATORHINGESTUDASSEMBLY
36	446483-000	FEEDREGULATORHINGESTUD
37	445768-000	FEEDREGULATORRETURNSPRINGBUSHING(PLASTIC)
38	179890-000	FEEDREGULATORRETURNSPRING
39	49204-000	BIGHTAMPLITUDECONTROLLEVERL.H.SCREWFRICITION WASHER
40	445486-000	DROP-IN-FEEDSPHERERELEASINGLEVERRETAININGRING
41	357983-900	FEEDBARACTUATINGSPRING

ELECTRICAL EQUIPMENT



REV.: _____

DATE: _____

ELECTRICAL EQUIPMENT

<i>REF. P/N</i>	<i>DESCRIPTION</i>
1	605488-025 LIGHTLEADCOMPLETECATL9(IECCONSTRUCTION)
2	179908 LIGHTLEADGROMMET
3	358207-120 LAMP(120V)
3	358207-220 LAMP(220/250V)
4	354592-451 LIGHTSOCKETMOUNTINGSCREW
5	362307-003 SWITCHCOMPLETE(US/CAN)
6	362095-001 CONTROLLER
7	988764-003 LIGHTCONNECTORHARNESS
8	362160-002 LIGHTCOMPLETE
9	357821-451 LIGHTSHIELDWITHGRAPHICS
10	362264-901 MOTORMOUNTINGPLATECLAMPSCREW
11	113370-451 MOTORMOUNTINGPLATESCREW(LOWER)
12	356803-901 MOTORMOUNTINGPLATE
13	353518-001 MOTORBELT(V)
14	362180-027 MOTORCOMPLETE(120V)
14	362180-029 MOTORCOMPLETE(220V)
15	988752-010 SERIESMOTORMODULE
16	313470-452 MOTORMOUNTINGPLATESCREWNUT
17	988761-001 MOTORPULLEY
18	362239-012 COMUTATOREND
19	605600-004 TYERAP
20	362237-901 MOTORMOUNTINGPLATESPACER
21	362263-901 MOTORMOUNTINGPLATESPACERSCREW
22	113372-451 MOTORMOUNTINGPLATESCREW(UPPER)