

PARTS REFERENCE LIST

for

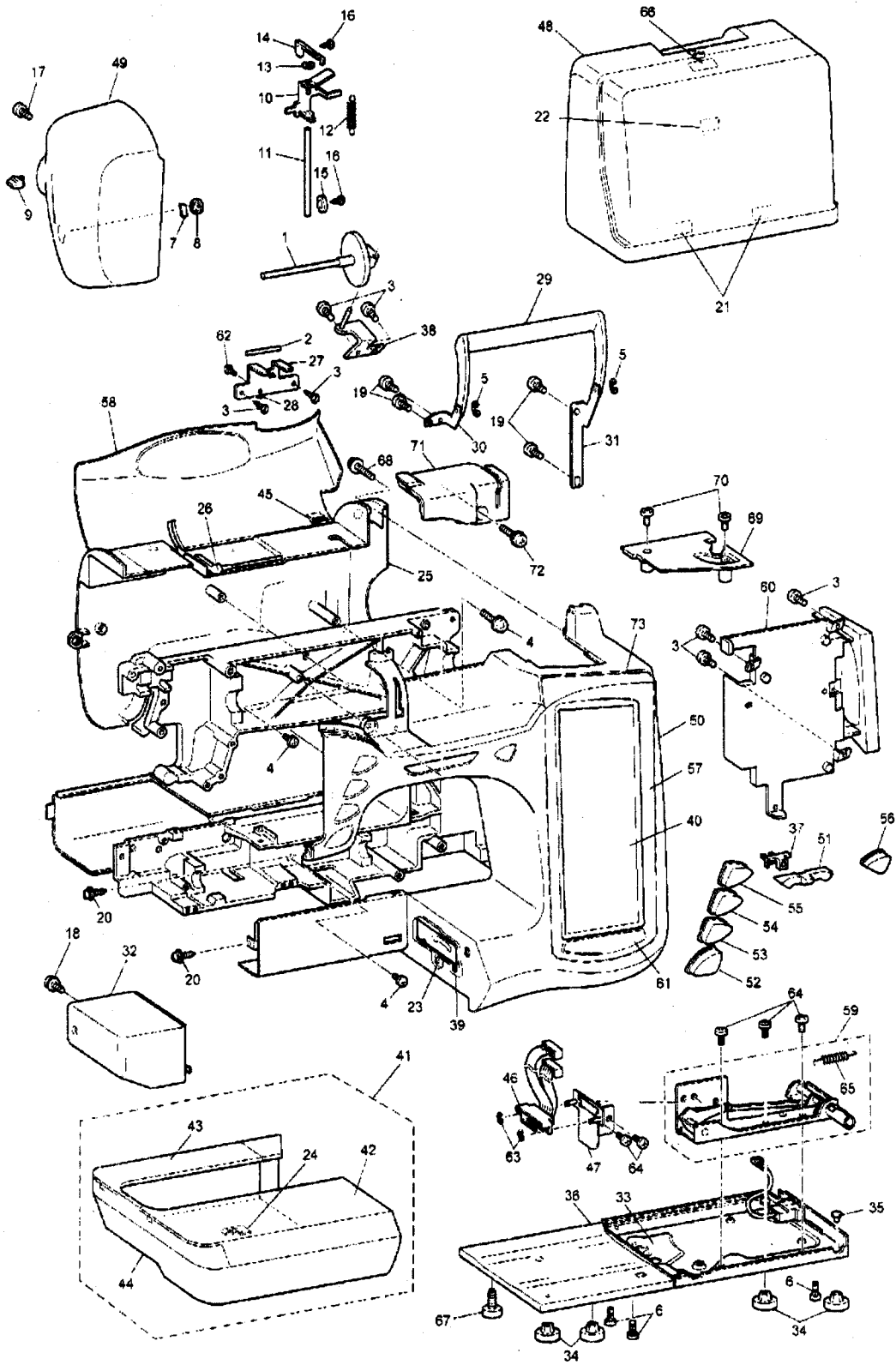
**Brother Computerized Sewing Machine
Models ULT2001 & Super Galaxie 3000**

CONTENTS

(1) Principal Parts	3
(2) Upper Shaft & Needle Bar	5
(3) Feed Mechanism	9
(4) Rotary Hook, Thread Guide,	11
and Thread Cutting	
(5) Lamp, Main PC Board Assembly,	13
and Motor Unit	
(6) Embroidery Unit	15
(7) Other Parts	17

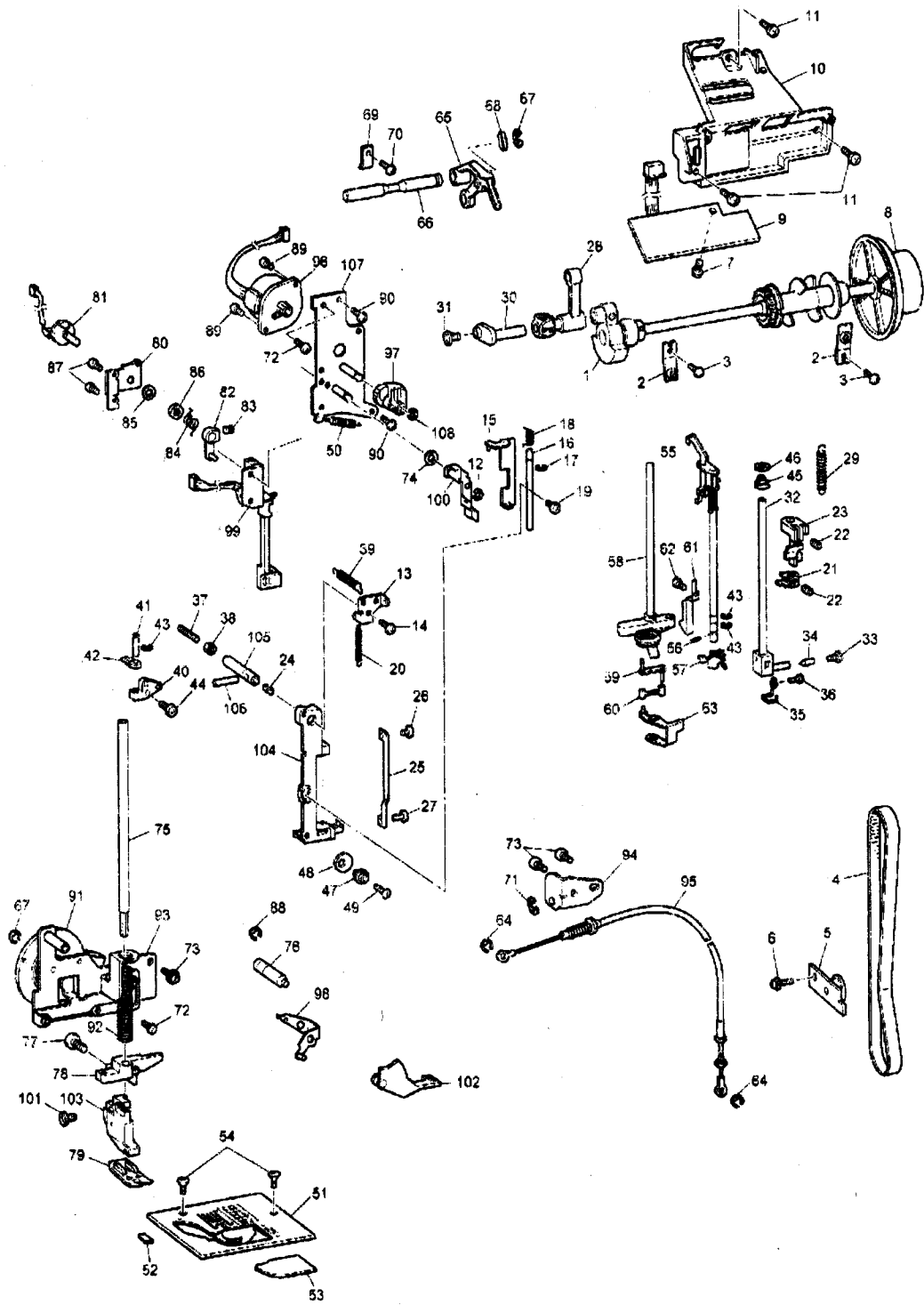
(1) PRINCIPAL PARTS

No.	CODE	NAME	REMARKS	No.	CODE	NAME	REMARKS
1	XA1786053	Spool pin		45	XA9411051	Upper cover holder	
2	XA9371051	Shaft		46	XA9641001	Main body lead wire assembly	
3	136681001	Screw B3 x 8		47	XA9773051	Connector holder assembly	
4	087411415	Screw B4 x 14		48	XA9785001	Hardcase assembly	
5	048040346	Stop ring E4		49	XA9861002	Face plate	
6	X57908051	Screw S4 x 10		50	XA9862002	Front cover	
7	X80321001	NT thread cutter assembly		51	XA9863001	SV key top	
8	138384001	CS stop ring CSTW-5		52	XA9864001	SS button for SG3000	
9	XA1800103	Needle threader lever knob			XA9864002	SS button for ULT2001	
10	XA5824151	Needle thread lever		53	XA9865001	Reverse button	
11	XA5825001	Needle thread lever shaft		54	XA9866001	NP button	
12	138260001	Spring		55	XA9867001	Thread cutting button	
13	129935000	Washer		56	XA9868001	Bobbin winder button	
14	XA6320000	Shaft presser plate		57	XA9869001	TP-LCD holder	
15	513159001	Washer		58	XA9870002	Upper cover for ULT2001	
16	138433001	Screw B3 x 6			XA9870003	Upper cover for SG3000	
17	052401406	Screw 4 x 14		59	XA9887001	Knee lifter assembly	
18	0A6400806	Screw 4 x 8F		60	XA9947001	Card PCB holder	
19	X57908051	Screw S4 x 10		61	XC0013001	Decoration batch for ULT2001	
20	U12017001	Screw 3 x 6			XC0014001	Decoration batch for SG3000	
21	129074000	Felt		62	060300416	Screw 3 x 4	
22	125440000	Case felt		63	048030346	Stop ring E3	
23	146200001	Stop ring CS4		64	060400616	Screw M4 x 6	
24	138644051	Accessory table notched spring		65	XA6215101	Spring plate	
25	XA9369002	Rear cover		66	XA3028052	Decoration plate	
26	XA9370051	Spool stand bar		67	XA4687051	Adjust screw assembly	
27	XA9372051	Presser plate		68	087412016	Screw 4 x 20	
28	XA9373051	Knoch plate		69	XA9799002	Bobbin winder upper cover	
29	XA9374001	Handle		70	060300616	Screw 3 x 6	
30	XA9375051	Handle holder L assembly		71	XA9872002	Front thread guard cover	
31	XA9379051	Handle holder R assembly		72	060300616	Screw 3 x 6	
32	XA9383001	Free arm cover		73	X81299003	LCD supply assembly for ULT2001	
33	XA9385151	Base plate			X81299004	LCD supply assembly for SG3000	
34	XA9386051	Base plate rubber					
35	XA9387050	Base plate rubber stopper					
36	XA9388001	Base plate cover					
37	XA9391001	SV joint plate					
38	XA9397051	Spool pin holder assembly					
39	XA9400051	Connect cover					
40	XA9404001	Touch panel EMU60					
41	XA9406001	Accessory table assembly					
42	XA9407002	Accessory table front cover					
43	XA9408001	Accessory table rear cover					
44	XA9409001	Accessory table					



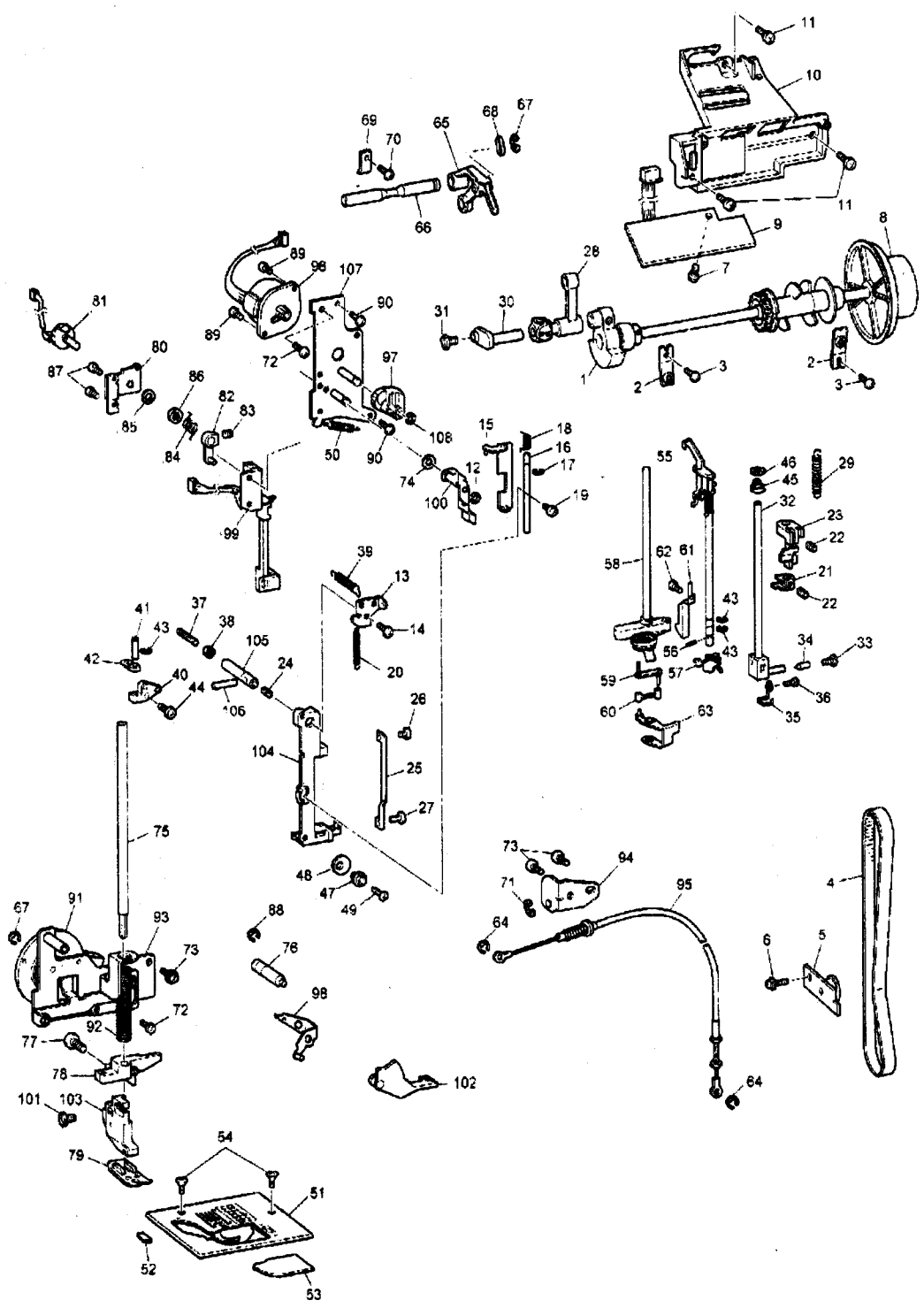
(2) UPPER SHAFT AND NEEDLE BAR

No.	CODE	NAME	REMARKS	No.	CODE	NAME	REMARKS
1	XA9416001	Upper shaft assembly		45	X57822101	Spring	
2	X52478001	Presser plate A		46	X58511100	Washer	
3	X57908051	Screw S4 x 10		47	X50559050	Zigzag adjusting nut	
4	X53125001	Timing belt		48	XA1860150	Washer	
5	XA9425051	Tension Pulley assembly		49	062301006	Screw 3 x 10	
6	138172001	Screw 4 x 10DA		50	XA1861051	Spring	
7	138433001	Screw B3 x 6		51	XA9438001	Needle plate assembly	
8	XA9418001	Pulley		52	X80321001	Lower thread cutter	
9	XA9427001	NP PCB assembly		53	X56828151	Needle plate cover	
10	XA9430051	PCB holder		54	X50487001	Screw M4	
11	060400816	Screw 4 x 8		55	XA5834001	Needle thread shaft A assembly	
12	048030346	Stop ring E3		56	131281001	Pin 2 x 6	
13	XA1843150	Set plate		57	XA5838001	Threader hook assembly	
14	060300616	Screw 3 x 6		58	XA5920101	Needle thread shaft B assembly	
15	XA1844151	Needle release lever assembly		59	XA3565051	Link A assembly	
16	XA1847051	Needle release lever shaft		60	XA3569001	Link B	
17	048025346	Stop ring E2.5		61	XA5851000	Hook release plate	
18	XA1848051	Spring		62	060260516	Screw 26 x 5	
19	0A2300806	Screw 3 x 8B		63	XA5852001	Thread guide assembly	
20	XA5837101	Spring		64	048030346	Stop ring E3	
21	X55983150	Needle threader position setter		65	XA9441051	Thread take-up lever assembly	
22	012400432	Screw 4 x 4		66	XC0397051	Thread take-up lever shaft	
23	X55984101	Needle bar block assembly		67	048050346	Stop ring E5	
24	014400432	Screw 4 x 4		68	XA1866001	Washer	
25	X55990001	Needle bar guide		69	XA9929051	Shaft presser plate	
26	060300416	Screw 3 x 4		70	X57913051	Screw S4 x 16	
27	061300516	Screw M3 x 5		71	048040346	Stop ring E4	
28	XA9431051	Needle bar crank rod assembly		72	060400616	Screw M4 x 6	
29	X58237001	Spring		73	X57908051	Screw S4 x 10	
30	XA9434051	Needle bar crank		74	X53027000	Washer	
31	132051001	Screw 3.57L		75	XA5854001	Presser bar	
32	XA1849101	Needle bar assembly		76	XA6190001	Stud for presser foot lifter	
33	XZ0002051	Needle clamp screw		77	X52760051	Screw 6 x 12	
34	XA6035001	Needle clamp pin		78	XA1870151	Presser bar clamp assembly	
35	XA1851000	Needle bar thread guide		79	137748101	Zigzag presser foot	
36	008020306	Screw 2 x 3		80	XA2222001	PT holder	
37	014401632	Screw M4 x 16		81	XA9447001	Cloth thickness sensor	
38	X56851051	Nut		82	XA6493001	PT lever	
39	XA1856051	Spring		83	012300632	Screw 3 x 6	
40	XA9436051	H shaft holder assembly		84	XA1894051	Spring	
41	XA1859051	Needle bar supporter stud		85	026060235	Washer M6	
42	X56494001	Needle bar supporter arm		86	X52569001	Nut #1	
43	048025346	Stop ring E2.5		87	060300816	Screw M3 x 8	
44	052401406	Screw 4 x 14		88	048050346	Stop ring E5	



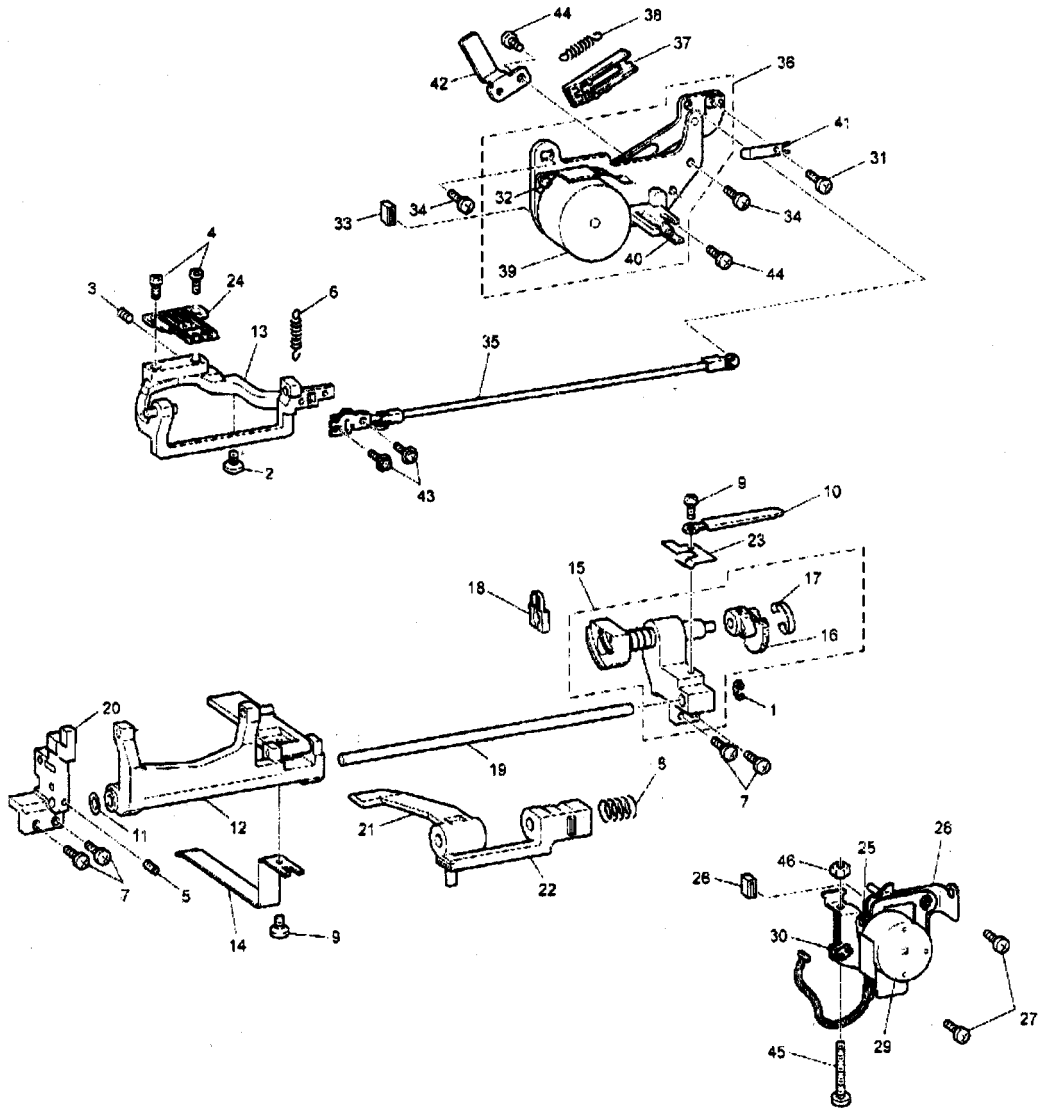
(2) UPPER SHAFT AND NEEDLE BAR

No.	CODE	NAME	REMARKS
89	060300416	Screw 3 x 4	
90	X57908051	Screw 4 x 10	
91	XA9457001	Presser dial	
92	XA9458151	Presser bar spring	
93	XA9667051	Presser frame assembly	
94	XA9777051	Wire guide plate U	
95	XA9778001	Wire assembly	
96	XA9528001	Z pulse motor	
97	XA1995000	Zigzag cam	
98	XA9873101	Lifter assembly	
99	XA9925001	BH switch assembly	
100	XA2866101	Zigzag lever	
101	XA4813051	Screw 3.57	
102	XA5511051	Presser foot lifter	
103	XA4789001	Presser holder assembly	
104	XA5832051	Needle bar support assembly	
105	XA1842051	Needle bar supporter stud A	
106	X58551050	Needle bar supporter stud C	
107	XA1989251	ZPM holder assembly	
108	048030346	Stop ring E3	



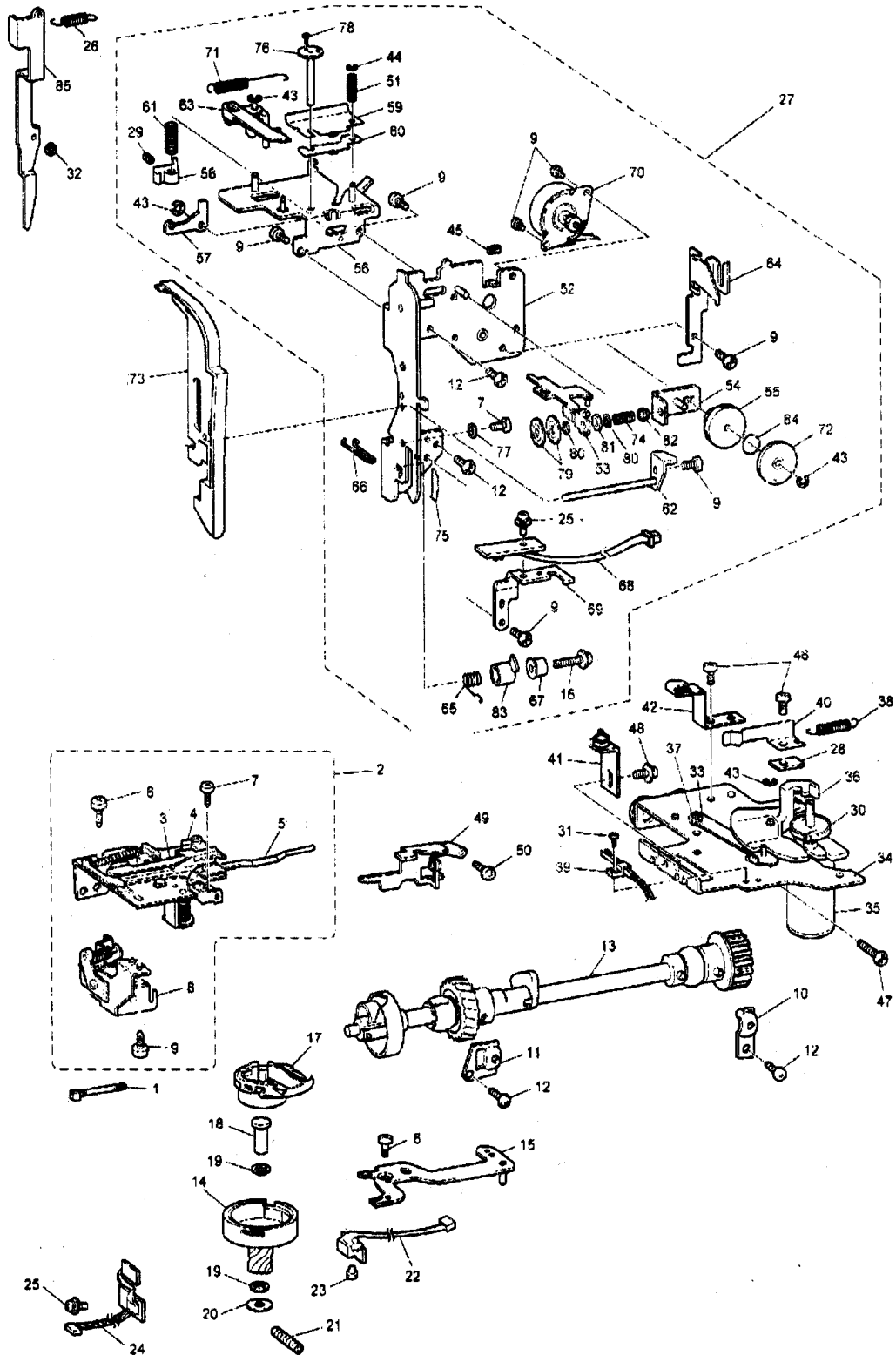
(3) FEED MECHANISM

No.	CODE	NAME	REMARKS	No.	CODE	NAME	REMARKS
1	048050346	Stop ring E5		45	060504016	Screw 5 x 40	
2	X59916051	Screw		46	021050315	Nut 5	
3	012400432	Screw 4 x 4					
4	060300616	Screw 3 x 6					
5	014400432	Screw 4 x 4					
6	XA9486001	Spring					
7	052401406	Screw 4 x 14					
8	XA9490051	Spring					
9	060300616	Screw 3 x 6					
10	137947001	Crip					
11	X53330000	Washer					
12	XA9463051	Horizontal feed assembly					
13	XA9464050	Feed bar					
14	XA9470051	Feed arm plate					
15	XA9473001	Feed adjuster assembly					
16	XA9482000	Feed gear					
17	XA9483001	Spring plate					
18	XA9484000	Feed regulator slide block					
19	XA9485051	Horizontal feed shaft					
20	XA9487051	Horizontal feed shaft guide					
21	XA9488051	Drop plate					
22	XA9489051	Drop knob					
23	XA9491051	Spring plate					
24	XA9843001	Feed dog					
25	060300416	Screw 3 x 4					
26	XA2189050	Rubber					
27	X57908051	Screw S4 x 10					
28	XA9492001	FPM holder assembly					
29	XA9499001	F pulse motor					
30	XA9923051	Plate nut					
31	060300616	Screw 3 x 6					
32	060300416	Screw 3 x 4					
33	XA2189050	Rubber					
34	X57908051	Screw S4 x 10					
35	XA9462051	Side feed arm assembly					
36	XA9501001	SPM holder assembly					
37	XA9506051	Side feed gear					
38	XA9508051	Spring					
39	XA9509001	S pulse motor					
40	XA9510051	Main PC plate holder D					
41	XA9514051	Spring plate					
42	XC0411001	S stoper					
43	XA8390001	Screw 3 x 7					
44	060300616	Screw 3 x 6					



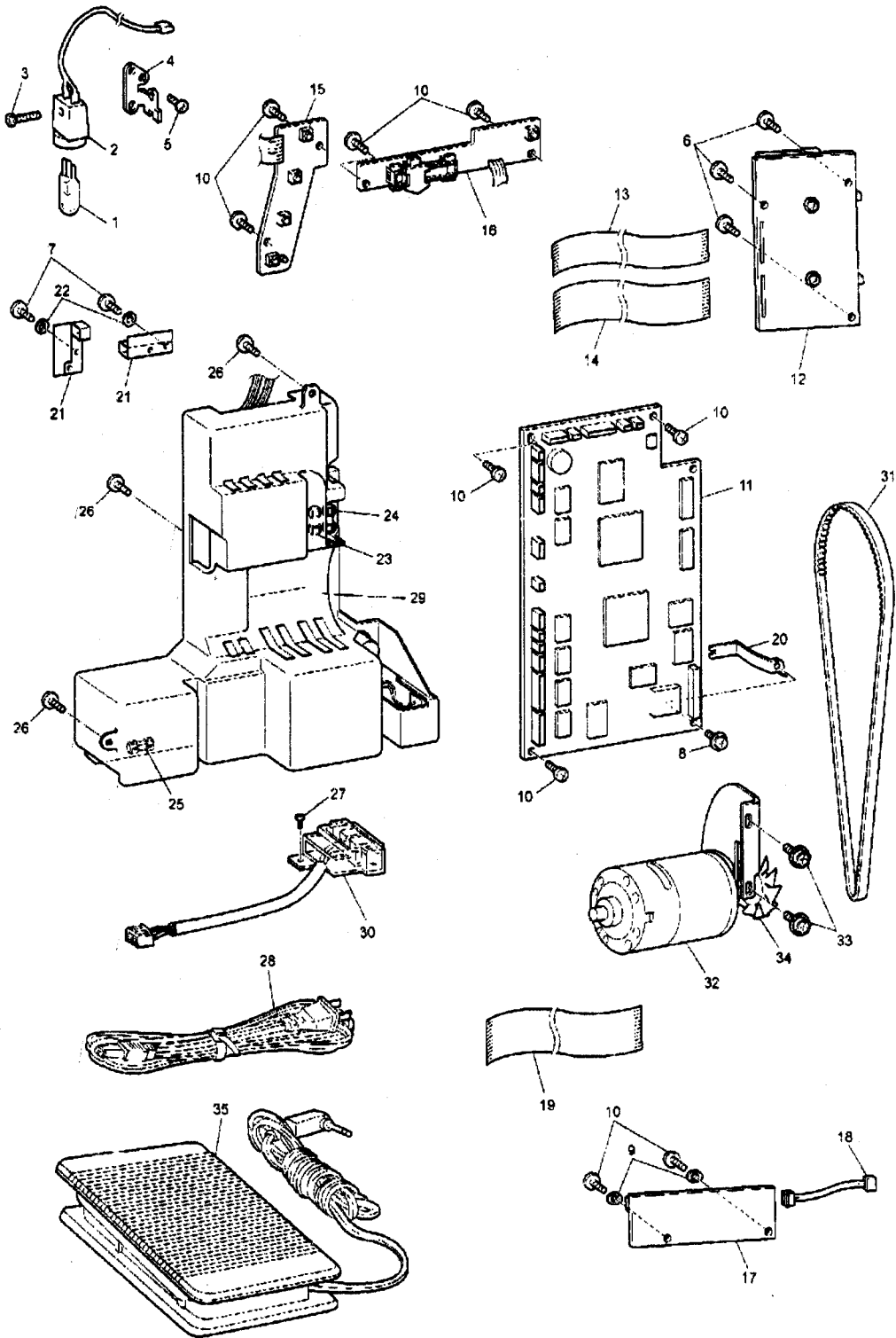
(4) ROTARY HOOK, THREAD GUIDE AND THREAD CUTTING

No.	CODE	NAME	REMARKS	No.	CODE	NAME	REMARKS
1	X53169050	Band		45	XA2189050	Rubber	
2	XA9515151	Thread cutter assembly		46	060300416	Screw 3 x 4	
3	XA2848151	Movable blade assembly		47	X57908051	Screw S4 x 10	
4	X56133001	Fixed blade		48	052300606	Screw 3 x 6	
5	XA9518051	Lower thread guide assembly		49	XA2935051	Thread guide plate	
6	060400816	Screw 4 x 8		50	060300616	Screw 3 x 6	
7	060300616	Screw 3 x 6		51	X57605001	Spring	
8	XA2578251	Thread cutter solenoid assembly		52	XA9553051	Thread tension plate assembly	
9	060300416	Screw 3 x 4		53	XA9559051	Tension release plate assembly	
10	132421001	Bushing presser R		54	XA9562051	Tension plate assembly	
11	XA1975051	Bushing presser L		55	XA9565000	Thread tension cam	
12	X57908051	Screw S4 x 10		56	XA9566001	Tension release assembly	
13	XA9522001	Lower shaft assembly		57	XA9571001	Tension release link	
14	XA2855101	Outer rotary hook assembly		58	XA9573001	Tension release cam	
15	XA5839001	Inner rotary hook bracket assembly		59	XA9575001	Tension plate	
16	0A4301804	Screw 3 x 18		60	XA9576001	Spacer	
17	XC0426001	Inner rotary hook assembly		61	XA9577001	Spring	
18	XA0360051	Outer rotary hook shaft		62	XA9578051	Thread guard assembly	
19	XA2190000	Washer U		63	XA9581051	Thread take-up lever guard	
20	XA0362001	Washer		64	XA9582051	Thread guide	
21	014401632	Screw M4 x 16		65	XA9583001	Thread take-up spring	
22	XA9524001	Photo diode assembly		66	XA9584050	Thread guide wire	
23	060020416	Screw M2 x 4		67	XA9585001	Thread catching spring case	
24	XA9526001	Photo transistor assembly		68	XA9586001	UT sensor PCB assembly	
25	052300606	Screw 3 x 6		69	XA9589051	Thread sensor holder	
26	XA9787051	Spring		70	XA9591001	AT pulse motor	
27	XA9551001	Tension unit assembly		71	XA9601051	Spring	
28	X50532051	Presser plate		72	XA9625000	Thread tension gear cover	
29	012300432	Screw 3 x 4		73	XA9871002	Thread guide cover	
30	XA5876001	Bobbin base assembly		74	XA9900001	Spring	
31	062260516	Screw 2.6 x 5		75	XA9935000	Spring tape	
32	120454001	Bush		76	XA9938001	Tension presser assembly	
33	137999000	Washer		77	XA9996001	Washer	
34	XA9530051	Bobbin winder holder assembly		78	XA9997001	Screw M2 x 3	
35	XA9534001	BW motor assembly		79	108263001	Thread tension disc	
36	XA9540001	Bobbin pressure		80	109763003	Washer	
37	XA9541051	Bobbin pressure guide assembly		81	137881001	Tension disk washer	
38	XA9545051	Spring		82	137878051	Thread tension adjusting screw	
39	XA9546001	BW switch assembly		83	X58316001	Thread breakage shutter	
40	XA9548051	Spring plate		84	X56323051	Spring	
41	XA9549151	Bobbin winder guide plate		85	XA9449051	Tension release plate C	
42	XA9797051	Thread guide plate					
43	048030346	Stop ring E3					
44	048020346	Stop ring E2					



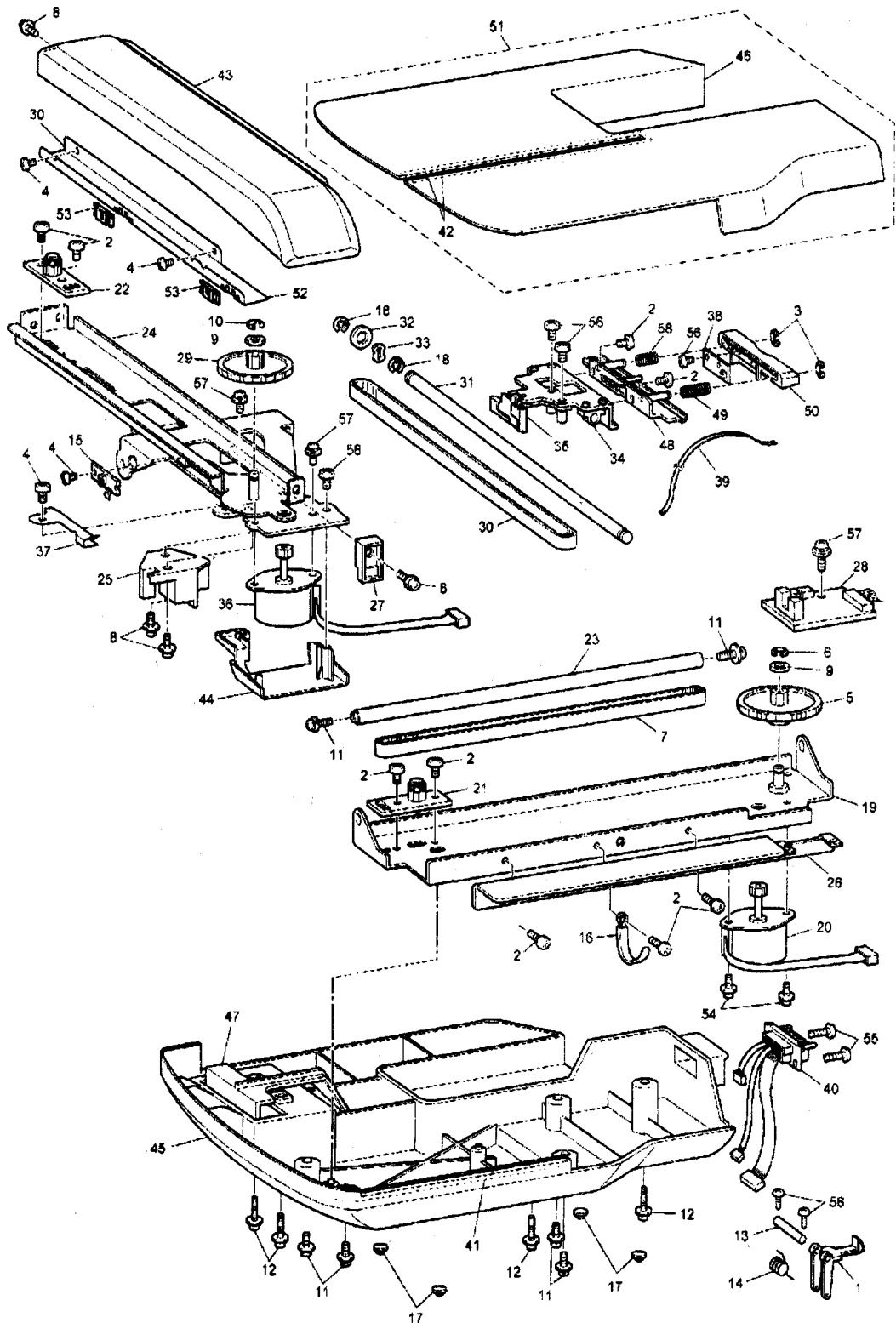
(5) LAMP, MAIN PC BOARD ASSEMBLY AND MOTOR UNIT

No.	CODE	NAME	REMARKS
1	XA2037001	WB sew-light bulb	
2	XA9596001	WBL socket sub assembly	
3	002261205	Screw 2.6 x 12	
4	XA5879051	Lamp holder	
5	060300416	Screw 3 x 4	
6	136681001	Screw B3 x 8	
7	X57908051	Screw S4 x 10	
8	052300606	Screw 3 x 6	
9	XA2220050	Board presser	
10	136681001	Screw B3 x 8	
11	XA9598001	Main PCB assembly	
12	XA9619001	Card PCB unit	
13	XA9620001	Flexible flat cable	
14	XA9621001	Flexible flat cable	
15	XA9628001	SS PCB assembly	
16	XA9631001	VR PCB assembly	
17	XA9634001	Inverter	
18	XA9635001	CFL lead wire sub assembly	
19	XA9640001	Flexible flat cable	
20	XA9642001	Set plate R	
21	XA9643000	Cord holder	
22	026040236	Washer	
23	XA9760001	Glass fuse for 120V Glass fuse for 230V	
24	U32089001	Glass fuse for 120V	
	XA9761001	Glass fuse for 230V	
25	XA9762001	Glass fuse for 120V Glass fuse for 230V	
26	052401406	Screw 4 x 14	
27	060400616	Screw M4 x 6	
28	XA2815051	Power supply cord for CSA	
	XA0070051	Power supply cord for CEE	
	X59328051	Power supply cord for SAA	
	X57079001	Power supply cord for BS	
29	XA9727001	Power circuit unit assembly 120	
	XA9817001	Power circuit unit assembly 230	
30	XA9941001	Inlet 230 assembly	
	XA9961001	Inlet 120 assembly	
31	XA9644000	T belt	
32	XA9645001	Motor assembly	
33	XA5901001	Screw 4 x 14	
34	XA9652050	Fan	
35	XA7290051	Foot controller for 120V	
	XC0309001	Foot controller for 230V	



(6) EMBROIDERY UNIT

No.	CODE	NAME	REMARKS	No.	CODE	NAME	REMARKS
1	XA5349050	Lock finger		45	XA9697001	ES base cover	
2	060400616	Screw M4 x 6		46	XA9698001	ES main cover	
3	048025346	Stop ring E2.5		47	XA9699001	Lock release lever	
4	060300616	Screw 3 x 6		48	XA9700001	Frame sub assembly	
5	XA2122050	X driving gear pulley		49	XA9703001	Spring 4.6 x 20	
6	048040346	Stop ring E4		50	XA9704001	Frame lock lever	
7	XA2123001	Timing belt 60S2M494		51	XA9793001	ES main cover assembly	
8	052400806	Screw 4 x 8		52	XA9795000	Code guide Y	
9	025060235	Washer		53	XA9832050	Code crip B	
10	048040346	Stop ring E4		54	XA8390001	Screw 3 x 7	
11	052400806	Screw 4 x 8		55	085301615	Screw P3 x 16	
12	087411415	Screw B4 x 14		56	085301017	Screw P3 x 10	
13	XA0814001	Pin G4 x 20		57	XA8390001	Screw 3 x 7	
14	XA2157051	Spring		58	XC0444001	Spring 6 x 19	
15	XA9684001	Y sensor PCB assembly					
16	T31049001	Clip					
17	X59853000	Rubber cushion					
18	XA7680001	Stop ring 9.25					
19	XA9653001	Main frame sub assembly					
20	XA9656001	X pulse motor					
21	XA9657051	Tension pulley assembly					
22	XA9657051	Tension pulley assembly					
23	XA9661001	X guide shaft					
24	XA9662001	X carriage assembly					
25	XA9668001	X slider					
26	XA9669001	X guide plate					
27	XA9670001	X belt presser					
28	XA9671001	X sensor PCB assembly					
29	XA9674001	Y driving gear pulley					
30	XA9675001	Timing belt 60S2M656					
31	XA9676001	Y shaft					
32	XA9677001	Washer					
33	XA9678001	Washer					
34	XA9679001	Y carriage assembly					
35	XA9682001	Y slider					
36	XA9683001	Y pulse motor					
37	XA9687050	Code crip					
38	XA9688001	Frame PCB assembly					
39	XA9692001	Flexible flat cable					
40	XA9693001	EMB unit lead wire assembly					
41	XA9694001	Groove cover					
42	XA9694001	Groove cover					
43	XA9695002	X carriage cover					
44	XA9696001	YPM cover					



(7) OTHER PARTS

No.	CODE	NAME	REMARKS	No.	CODE	NAME	REMARKS
1	XA5500001	Embroidery foot assembly		40	X61500000	Carton	
2	X51162001	Overcasting stitch-foot		41	X61555001	Master carton for ULT2001	
3	X59370051	Zipper foot			X61556002	Master carton for Europe	
4	X56409001	Blind stitch foot		42	X81273001	Embroidery frame 100 assembly	
5	X57789101	Button hole foot		43	X81275001	Embroidery frame 60 assembly	
6	X53840301	Monogramming foot		44	X81274001	Embroidery frame 160 assembly	
7	X54243001	Seam ripper		45	X61522001	Machine SF assembly	
8	130439001	Button fitting foot		46	X61507001	Case SF assembly	
9	X58358001	Z needle set		47	X61523001	Head SF assembly	
10	184783001	Scissors					
11	184944001	Chalk pen					
12	XA4527001	Cleaning brush					
13	135793001	Needle plate fixing metal					
14	XA2005051	Screw driver					
15	X55467051	Screw driver M					
16	X55468051	Screw driver S					
17	130012004	Spool cap A					
18	130013004	Spool cap B					
19	X55260153	Spool cap C					
20	XA3336051	Spool bar					
21	X59296001	Twin needle set					
22	127610000	Net					
23	X57045001	Felt					
24	XA1363051	Accessory bag					
25	X80943001	Side cutter					
26	XA4813051	Screw 3.57					
27	XA5904051	Screw 3.57					
28	XA6941001	Knee lifter lever assembly					
29	X31065001	Walking foot					
30	XA3812051	Bobbin					
31	XA0188000	Bag					
32	XA9939051	Needle plate cover					
33	XA9940001	Touch pen					
34	191200011	instruction manual (English)					
	191200013	instruction manual (Geman)					
	191200015	instruction manual (French)					
	191200014	instruction manual (Dutch)					
	191200016	instruction manual (Italian)					
	191200012	instruction manual (Spanish)					
35	192200011	Quick reference guide					
36	418859001	Handle					
37	X60439100	Bag 630 x 630					
38	X61569001	Pad D200					
39	X61505001	Embroidery carton D					

