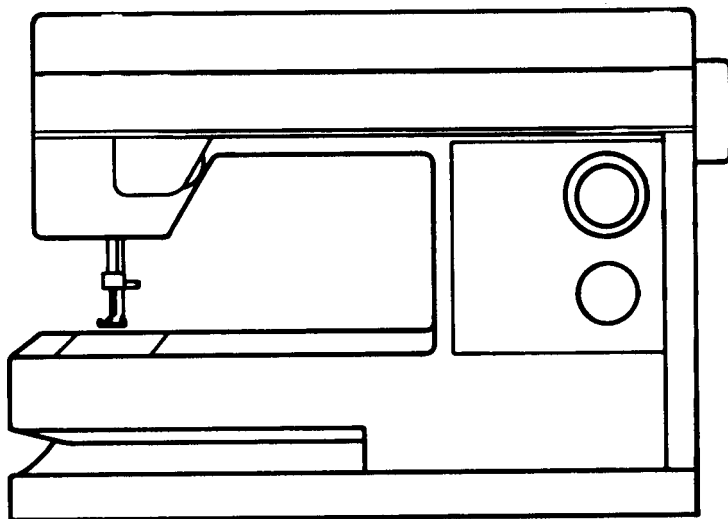


# Spare Parts List



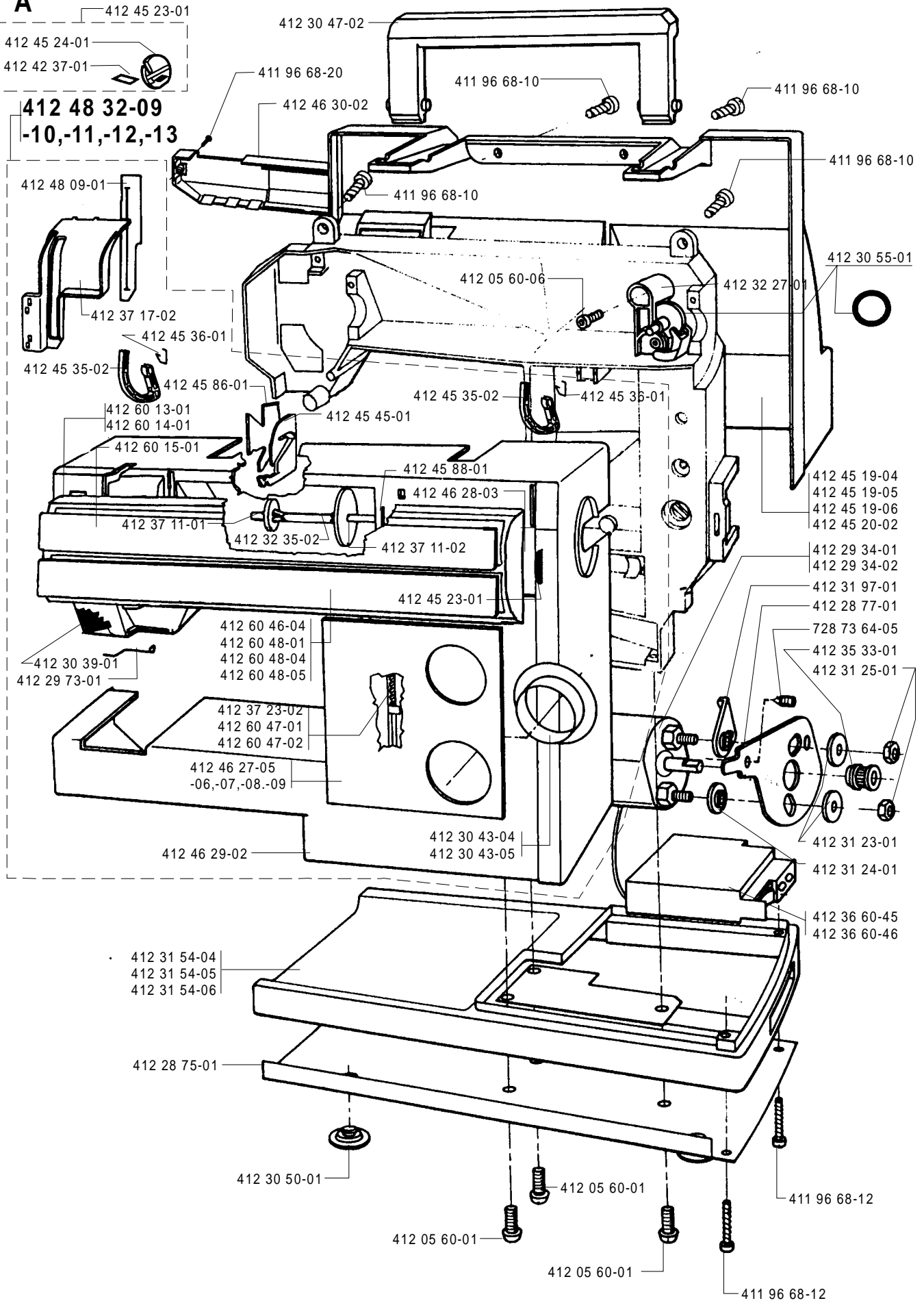
**315**

**325**

**335**

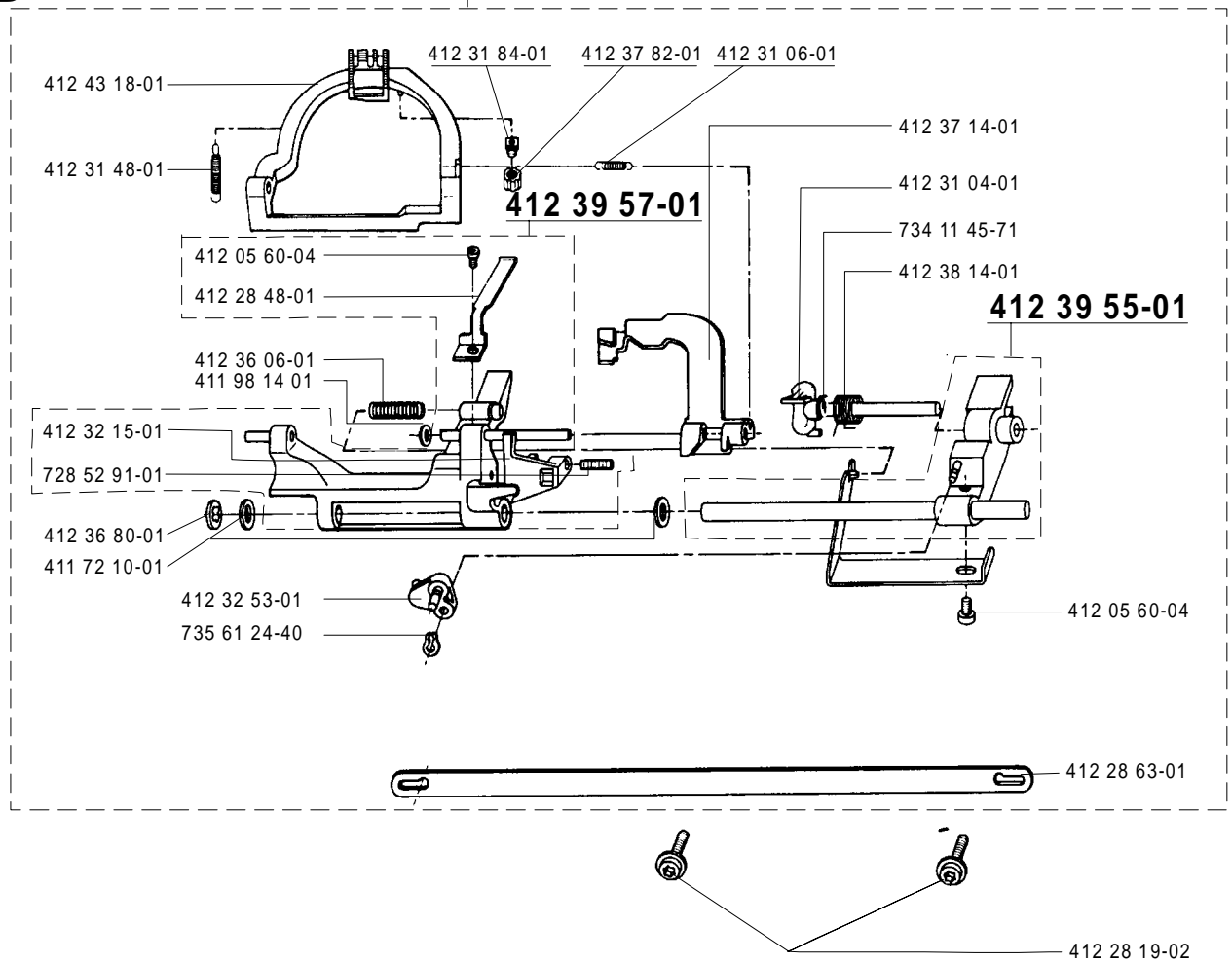
| Part no.     | Description             | Square | Part no.     | Description                      | Square | Part no.              | Description                | Square |
|--------------|-------------------------|--------|--------------|----------------------------------|--------|-----------------------|----------------------------|--------|
| 411 72 10-01 | Washer                  | B      | 412 31 50-01 | Stud                             | D      | 412 46 27-05          | Panel stiches Anna         | A      |
| 411 75 00-07 | Needle bar compl.       | E      | 412 31 54-04 | Base plate, Anna                 | A      | 412 46 27-06          | Panel stiches Hva 335      | A      |
| 411 75 02-01 | Needle clamp            | E      | 412 31 54-05 | Base plate, Husqvarna            | A      | 412 46 27-07          | Panel stiches Hva 325      | A      |
| 411 75 03-01 | Stop needle clamp       | E      | 412 31 54-06 | Base plate, Hugin                | A      | 412 46 27-08          | Panel stiches Hva 315      | A      |
| 411 75 04-01 | Thread guide            | E      | 412 31 60-41 | Shaft, sewing frame              | E      | 412 46 27-09          | Panel stiches Hugin        | A      |
| 411 82 62-07 | Lamp holder stand.      | E      | 412 31 69-01 | Spring                           | D      | 412 46 28-03          | Guide Hva 335              | A      |
| 411 82 62-08 | Lamp holder USA-Can     | E      | 412 31 79-01 | Clutch                           | F      | 412 46 29-02          | Front cover                | A      |
| 411 96 68-09 | Screw                   | E      | 412 31 81-01 | Clamp, lower shaft               | C      | 412 46 30-02          | Back cover, lower          | A      |
| 411 96 68-10 | Screw                   | A      | 412 31 84-01 | Bushing, feed dog                | B      | 412 46 44-01          | Screw                      | C      |
| 411 96 68-12 | Screw                   | A      | 412 31 89-01 | Control unit                     | H      | 412 46 45-01          | Screw                      | C      |
| 411 96 68-20 | Screw                   | A      | 412 31 97-01 | Belt stretcher                   | A      | 412 47 16-01          | Tread tension assy.        | C      |
| 411 98 14-01 | Washer                  | B      | 412 32 03-01 | Screw                            | D      | 412 47 73-01          | Case holder                | C      |
| 411 98 17-01 | Washer                  | D      | 412 32 15-01 | Lever feed lower                 | B      | 412 48 09-01          | Protector strip.           | A      |
| 412 00 13-01 | Washer                  | C      | 412 32 27-01 | Bobbin winding                   | A      | 412 48 32-09          | Front cover compl. Anna    | A      |
| 412 01 48-02 | Light bulb 100-120 V    | E      | 412 32 31-02 | Lever, slide                     | D      | 412 48 32-10          | Front cover compl. Hva 335 | A      |
| 412 02 41-01 | Spring                  | E      | 412 32 35-02 | Reel pin                         | A      | 412 48 32-11          | Front cover compl. Hva 325 | A      |
| 412 02 69-02 | Light bulb 220-250 V    | E      | 412 32 43-02 | Thread reel pin                  | J      | 412 48 32-12          | Front cover compl. Hva 315 | A      |
| 412 05 60-01 | Screw M5*14             | A      | 412 32 45-03 | Thread tension device            | G      | 412 48 32-13          | Front cover compl. Hugin   | A      |
| 412 05 60-04 | Screw M3*6              | B      | 412 32 47-01 | Lever thread tension             | G      | 412 50 24-02          | Cross head compl.          | E      |
| 412 05 60-06 | Screw M4*12             | A,C,F  | 412 32 49-01 | Screw thread tension             | G      | 412 51 09-01          | Pattern mechanism 33       | D      |
| 412 05 60-07 | Screw M4*16             | G      | 412 32 50-01 | Spring holder                    | G      | 412 51 09-02          | Pattern mechanism 325/Anna | D      |
| 412 05 60-09 | Screw M4*30             | D      | 412 32 51-02 | Dial thread tension              | G      | 412 51 09-03          | Pattern mechanism 315      | D      |
| 412 05 60-11 | Screw M3*5              | C      | 412 32 53-01 | Feed adj. link                   | B      | 412 55 01-01          | Bobbin case                | C      |
| 412 15 78-01 | Cord device, stand.     | H      | 412 32 75-01 | Sleeve lamp                      | J      | 412 56 15-45          | Plastic bobbins (10-pac)   | C,J    |
| 412 15 79-03 | Cord device, USA, Can.  | H      | 412 32 84-01 | Clamp                            | C,F    | 412 56 85-01          | Dust cover                 | C      |
| 412 15 80-02 | Cord device, England    | H      | 412 33 67-01 | Washer                           | D      | 412 56 86-01          | Adjusting washer           | C      |
| 412 15 81-01 | Cord device, Australia  | H      | 412 34 42-03 | Hard cover                       | J      | 412 60 13-01          | Cover Anna, Hva 315,Hugin  | A      |
| 412 15 98-01 | Spring                  | H      | 412 34 60-01 | Stop ring                        | C      | 412 60 14-01          | Cover Hva 335,325          | A      |
| 412 18 45-01 | Foot                    | H      | 412 35 26-01 | Washer                           | C      | 412 60 15-01          | Cover window Hva 335,325   | A      |
| 412 21 14-03 | Screw                   | E      | 412 35 31-01 | Thread tension set               | G,J    | 412 60 46-04          | Plate Hva 335,325          | A      |
| 412 27 41-01 | Sealing washer          | E      | 412 35 33-01 | Drive wheel compl.               | A      | 412 60 47-01          | Index band, Anna           | A      |
| 412 28 19-02 | Screw                   | B,E    | 412 35 42-01 | Pulley                           | C      | 412 60 47-02          | Index band, Hugin          | A      |
| 412 28 19-03 | Screw                   | E      | 412 35 46-01 | Curve - Hugin                    | D      | 412 60 48-01          | Name plate Anna            | A      |
| 412 28 48-01 | Spring                  | B      | 412 36 06-01 | Spring                           | B      | 412 60 48-04          | Name plate Hva 315         | A      |
| 412 28 51-01 | Adjusting arm           | E      | 412 36 14-01 | Opener throat plate              | J      | 412 60 48-05          | Name plate Hugin           | A      |
| 412 28 54-01 | Presser bar             | E      | 412 36 60-45 | PC-board 220-240 V               | A      | 412 62 18-01          | Foot pedal - emty          | H      |
| 412 28 61-01 | Lever                   | D      | 412 36 60-46 | PC-board 100-120 V               | A      | 721 41 87-70          | Pin                        | C,F    |
| 412 28 63-01 | Draw bar, feed mech.    | B      | 412 36 78-01 | Spring                           | G      | 721 42 10-10          | Pin                        | C      |
| 412 28 64-01 | Draw bar                | E      | 412 36 80-01 | Locking washer                   | B      | 723 12 19-01          | Screw M3*5                 | E      |
| 412 28 66-01 | Eccentric               | D      | 412 36 82-01 | Lower shaft compl.               | C      | 725 62 91-01          | Screw M4*12                | E      |
| 412 28 71-01 | Shaft, cam set          | D      | 412 36 83-02 | Arm shaft compl.                 | F      | 728 52 18-05          | Screw                      | E      |
| 412 28 72-01 | Shaft                   | D      | 412 36 84-01 | Cog belt                         | F      | 728 52 85-05          | Screw M4*6                 | E      |
| 412 28 75-01 | Base plate              | A      | 412 36 87-01 | Pin                              | F      | 728 52 87-05          | Screw M4*8                 | C      |
| 412 28 77-01 | Attachment              | A      | 412 37 11-01 | Thread real disc 20 mm           | A      | 728 52 91-01          | Screw M4*12                | B,D    |
| 412 28 79-01 | Screw                   | C      | 412 37 11-02 | Thread real disc 40 mm           | A      | 728 53 20-05          | Screw M5*5                 | F      |
| 412 28 81-01 | Stitch plate            | C      | 412 37 14-01 | Lever feed lifter                | B      | 728 53 23-05          | Screw M5*8                 | D      |
| 412 28 82-01 | Worm wheel              | D      | 412 37 17-02 | Screen                           | A      | 728 58 01-05          | Screw M5*4                 | C      |
| 412 29 34-01 | Motor compl.220-240 V   | A      | 412 37 23-02 | Index band, Husqvarna            | A      | 728 73 20-01          | Screw                      | F      |
| 412 29 34-02 | Motor compl.100-120 V   | A      | 412 37 46-01 | Lever, stitch setting            | D      | 728 73 64-05          | Screw 6*10 mm              | A      |
| 412 29 38-01 | Worm gear               | C      | 412 37 47-01 | Eccentric                        | D      | 728 82 83-05          | Screw                      | C,F    |
| 412 29 51-01 | Cam set                 | D      | 412 37 48-01 | Shaft                            | D      | 731 23 10-01          | Nut M3                     | D      |
| 412 29 73-01 | Thread guide            | A      | 412 37 49-02 | Dial zig zag                     | D      | 731 23 12-01          | Nut M4                     | D      |
| 412 29 75-01 | Curve - Husqvarna       | D      | 412 37 51-01 | Curve                            | D      | 732 21 12-01          | Nut M4                     | D      |
| 412 29 84-01 | Slide                   | D      | 412 37 52-02 | Dial                             | D      | 734 11 45-71          | Washer                     | B      |
| 412 29 86-01 | Planet wheel            | D      | 412 37 53-02 | Knob                             | D      | 735 31 08-20          | C-washer                   | C      |
| 412 29 87-01 | Lifting arm             | D      | 412 37 72-06 | Sewing head                      | E      | 735 31 10-20          | C-washer                   | D      |
| 412 29 88-01 | Spring                  | D      | 412 37 82-01 | Nut                              | B      | 735 58 52-01          | Locking washer             | D      |
| 412 29 89-01 | Curve                   | D      | 412 38 14-01 | Spring                           | B      | 735 58 55-00          | Washer                     | F      |
| 412 29 93-01 | Spring                  | D      | 412 38 16-01 | Feed unit compl.                 | B      | 735 61 24-40          | Compression ring 3mm       | B,G    |
| 412 29 94-01 | Guide index             | D      | 412 39 09-16 | Plastic bag with access. Anna    | J      | 735 61 36-40          | Compression ring 4mm       | D,E    |
| 412 29 95-01 | Spring                  | D      | 412 39 09-17 | Plastic bag with access. 335/325 | J      | 735 61 46-40          | Compression ring 5mm       | D      |
| 412 30 06-01 | Driver                  | F      | 412 39 09-18 | Plastic bag with access. 315     | J      | 735 61 53-40          | Compression ring 6mm       | E      |
| 412 30 07-01 | Spring                  | F      | 412 39 42-03 | Pattern mechanism - Hugin        | D      |                       |                            |        |
| 412 30 08-01 | Pulley                  | F      | 412 39 44-01 | Tread take up                    | E      |                       |                            |        |
| 412 30 09-02 | Hand wheel              | F      | 412 39 47-01 | Washer                           | C      |                       |                            |        |
| 412 30 16-01 | Link                    | G      | 412 39 55-01 | Frame feed unit                  | B      | 401 53 99-01          | Buttonhole knife           | J      |
| 412 30 21-01 | Locking washer          | G      | 412 39 57-01 | Frame carriage feed              | B      | 401 55 55-01          | Brush                      | J      |
| 412 30 24-01 | Crank arm               | G      | 412 40 51-01 | Washer                           | D      | 411 17 32-01          | Button reed                | J      |
| 412 30 26-01 | Cog belt                | F      | 412 40 98-01 | Screw, needle clamp              | E      | 412 01 76-01          | Hemmer 10 mm               | J      |
| 412 30 30-01 | Guide arm               | E      | 412 41 12-01 | Ankel                            | E      | 412 38 00-01          | Presser foot "A"           | J      |
| 412 30 39-01 | Reflector               | A      | 412 42 37-01 | Knife                            | A,C    | 412 38 01-01          | Presser foot "B"           | J      |
| 412 30 43-04 | Dial panel stiches Anna | A      | 412 43 18-01 | Feed dog                         | B      | 412 38 02-01          | Buttonhole foot "C"        | J      |
| 412 30 47-02 | Handle                  | A      | 412 43 90-01 | Spring                           | D      | 412 38 04-01          | Blind stitch foot "D"      | J      |
| 412 30 50-01 | Foot                    | A      | 412 44 40-02 | Hook compl.                      | C      | 412 38 05-01          | Zipper foot "E"            | J      |
| 412 30 55-01 | Rubber ring             | A      | 412 44 44-01 | Cog wheel                        | C      | 412 38 06-01          | Edging foot "J"            | J      |
| 412 30 66-01 | Shuttle shaft           | C'     | 412 44 73-01 | Hub dial                         | D      | 412 38 15-01          | Screw driver medium        | J      |
| 412 30 74-01 | Damper                  | C      | 412 44 74-02 | Knob                             | D      | 412 34 73-01          | Gathering foot             | J      |
| 412 30 79-01 | Eccentric feed          | C      | 412 45 19-04 | Back cover Anna                  | A      |                       |                            |        |
| 412 30 83-01 | Frame, sewing head      | E      | 412 45 19-05 | Back cover Husqvarna             | A      |                       |                            |        |
| 412 30 91-04 | Regulating dial         | E      | 412 45 19-06 | Back cover Hugin                 | A      |                       |                            |        |
| 412 30 96-02 | Presser bar dial        | E      | 412 45 20-02 | Back cover, blank                | A      | Husqvarna Anna        |                            |        |
| 412 30 97-03 | Presser bar lifter      | E      | 412 45 23-01 | Knife compl.                     | A      | 412 58 15-05          | Operating man Swe/Fin      |        |
| 412 31 04-01 | Guide compl.            | B      | 412 45 24-01 | Knife holder                     | A      | 412 58 15-15          | Operating man Dan/Nor      |        |
| 412 31 06-01 | Spring                  | B      | 412 45 35-02 | Hinge                            | A      | 412 58 15-25          | Operating man Fra/Dutch    |        |
| 412 31 23-01 | Isulation (male)        | A      | 412 45 36-01 | Hinge spring                     | A      | 412 58 15-35          | Operating man Ger/Ita      |        |
| 412 31 24-01 | Isulation (female)      | A      | 412 45 43-03 | Accessory box                    | J      | 412 58 15-45          | Operating man Eng/Spa      |        |
| 412 31 25-01 | Nut                     | A      | 412 45 45-01 | Thread guide                     | A      |                       |                            |        |
| 412 31 34-01 | Soft-cover              | J      | 412 45 86-01 | Thread guide                     | A      | Husqvarna 315/325/325 |                            |        |
| 412 31 41-02 | Foot control compl.     | H      | 412 45 88-01 | Guide                            | A      | 412 60 79-05          | Operating man Swe/Fin      |        |
| 412 31 44-01 | Cable                   | H      | 412 45 89-01 | Hook cover                       | C      | 412 60 79-15          | Operating man Dan/Nor      |        |
| 412 31 44-02 | Cable                   | H      | 412 45 91-01 | Hook cover window                | C      | 412 60 79-25          | Operating man Fra/Dutch    |        |
| 412 31 48-01 | Spring                  | B      | 412 46 13-02 | Extension table                  | J      | 412 60 79-35          | Operating man Ger/Ita      |        |
|              |                         |        |              |                                  |        | 412 60 79-45          | Operating man Eng/Spa      |        |

A

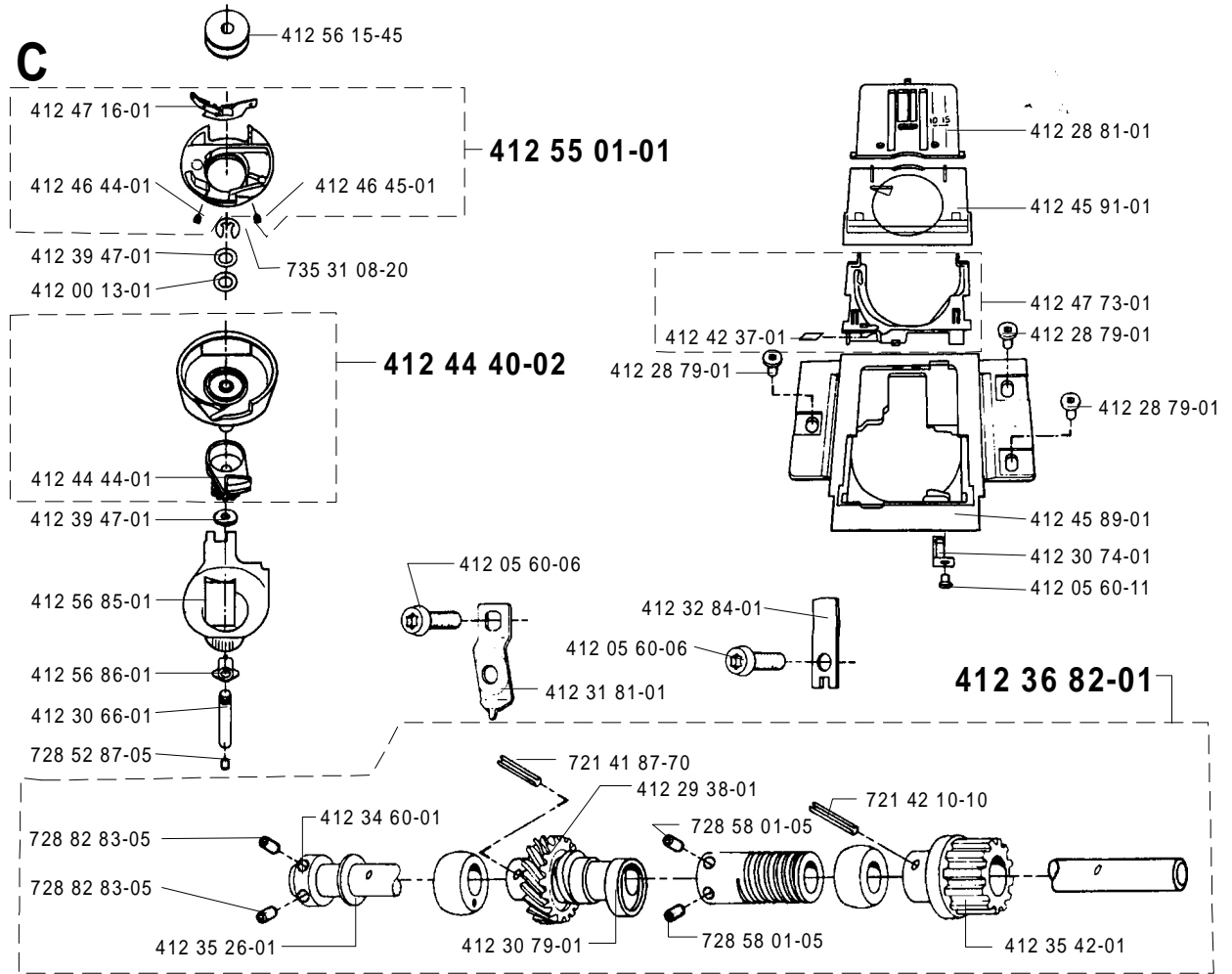


**B**

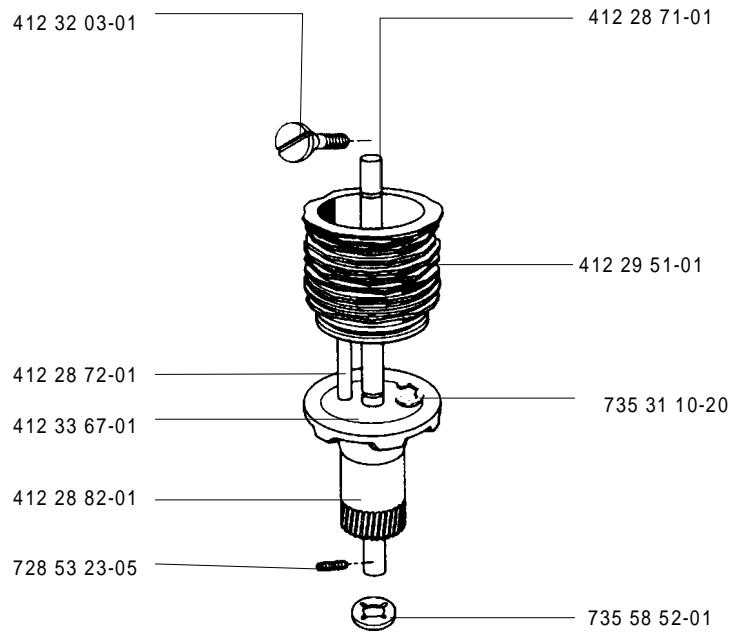
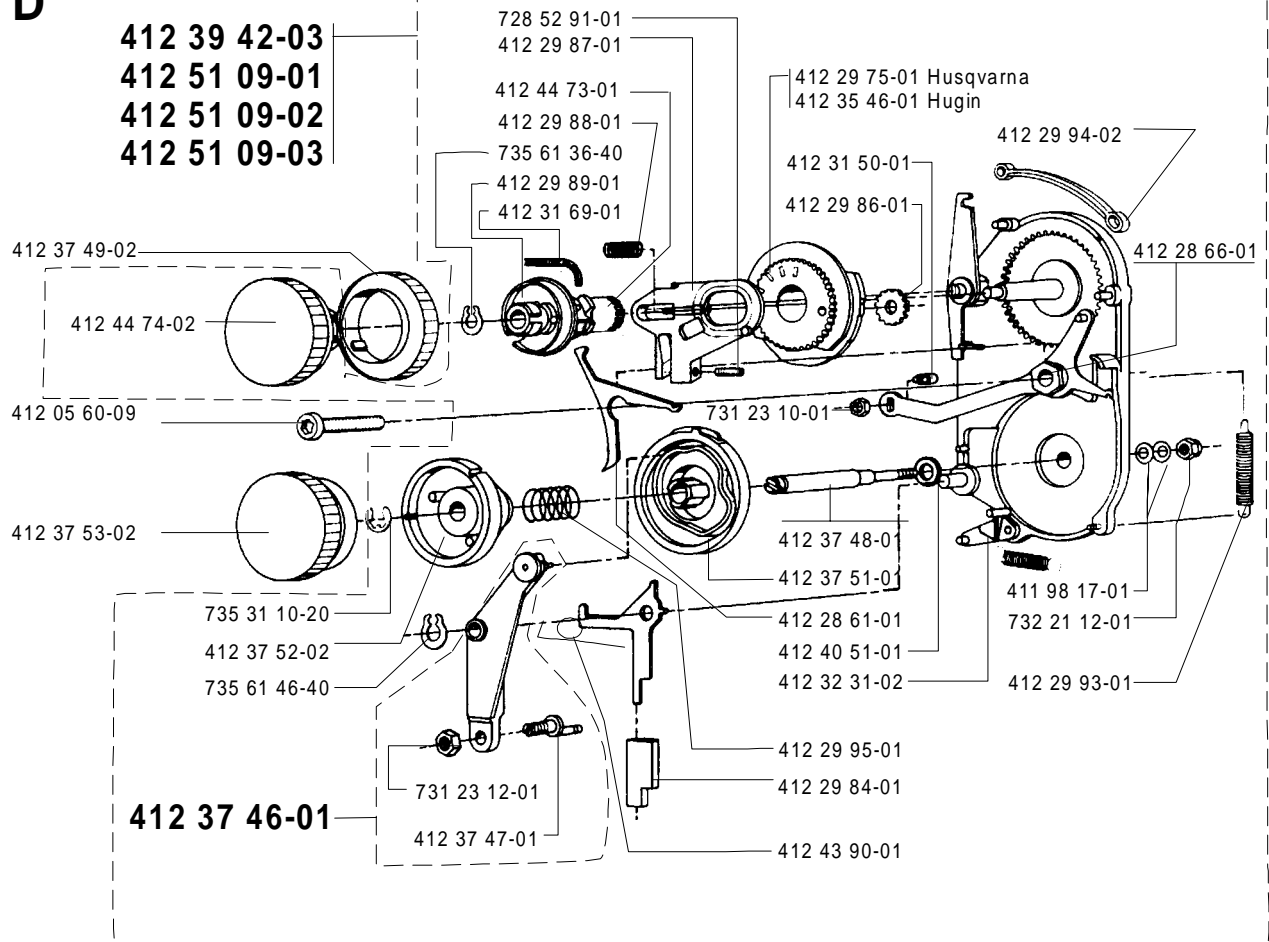
412 38 16-01



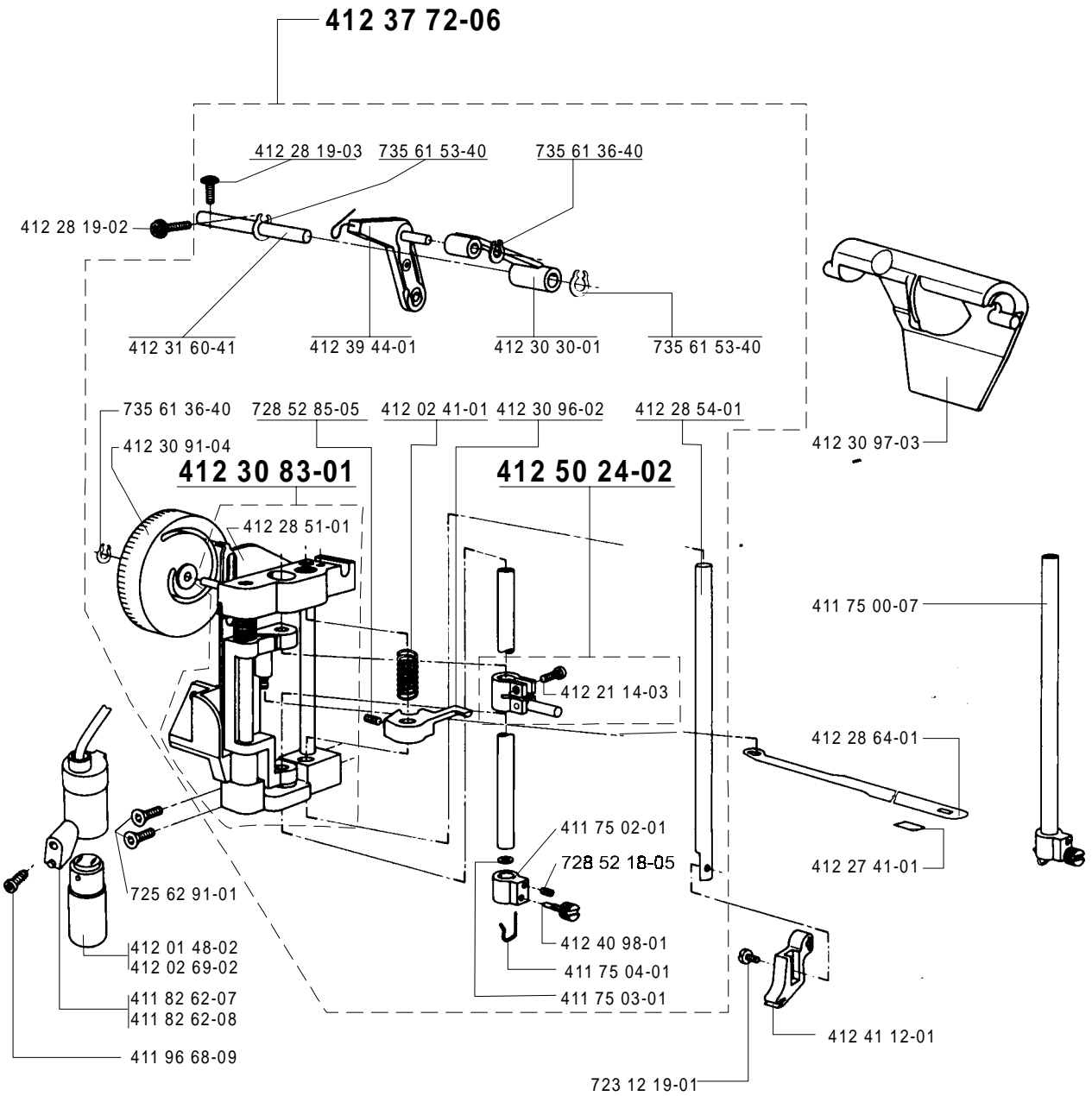
**C**



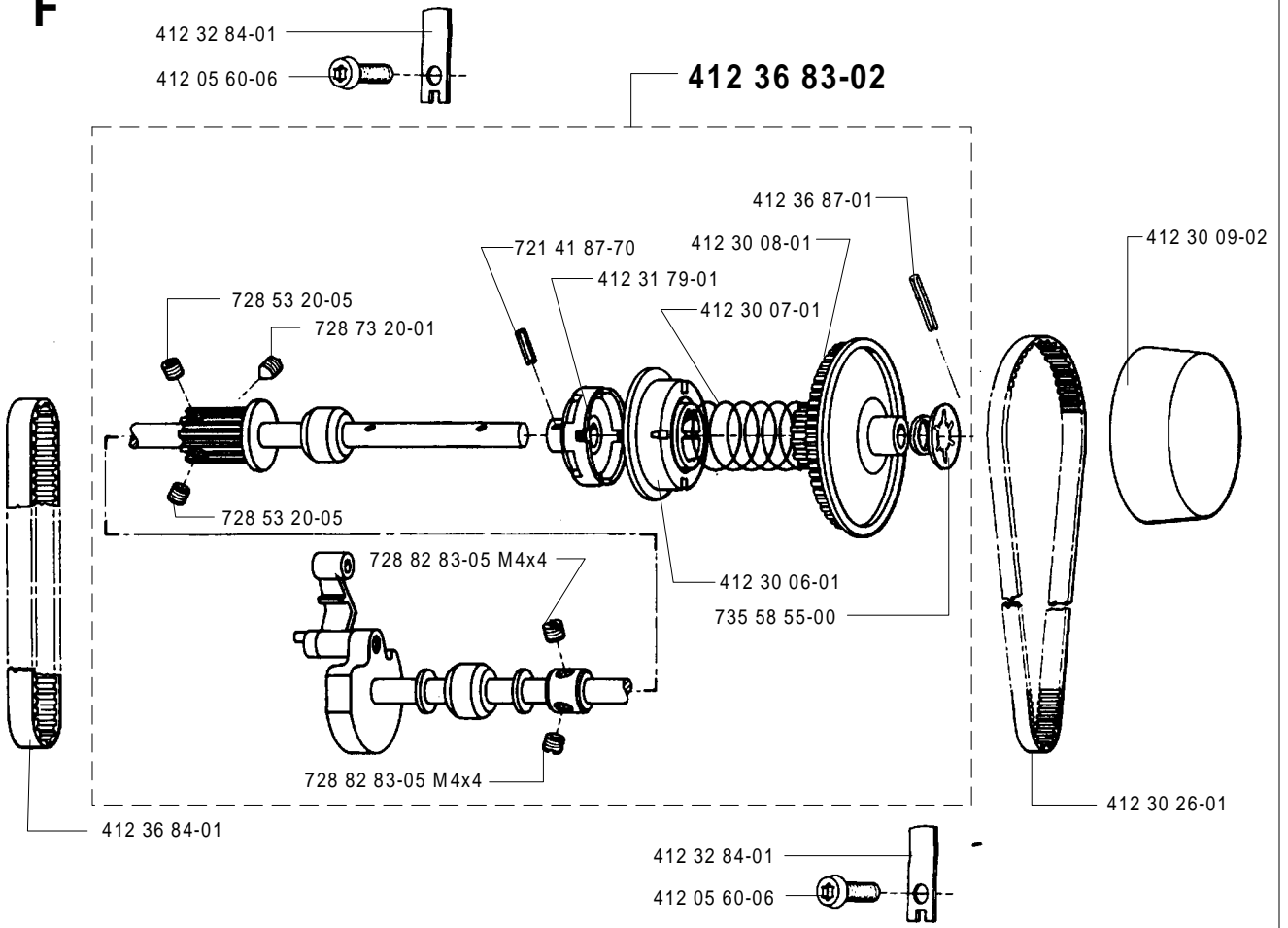
**D**



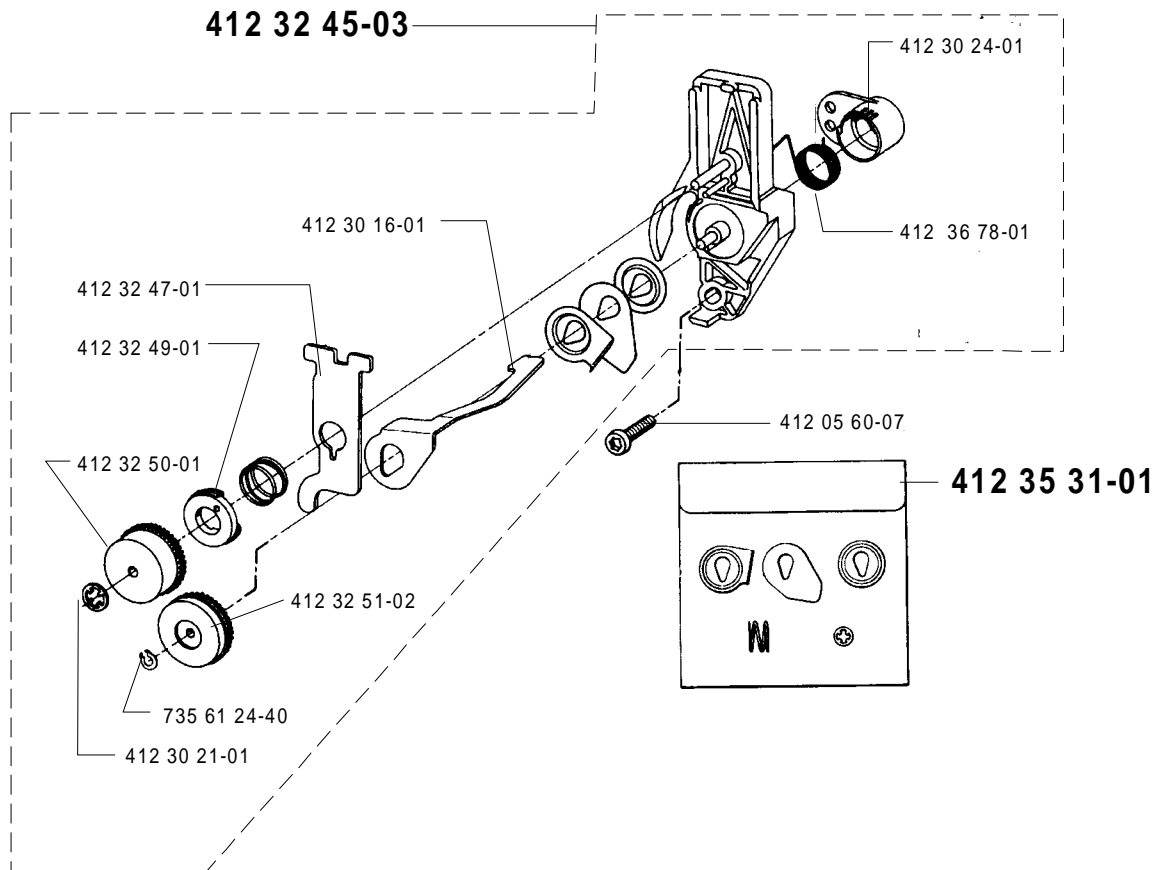
E



**F**

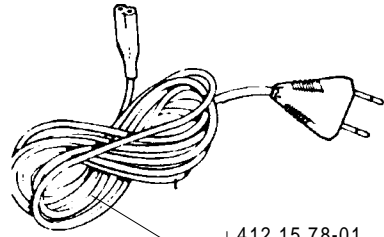
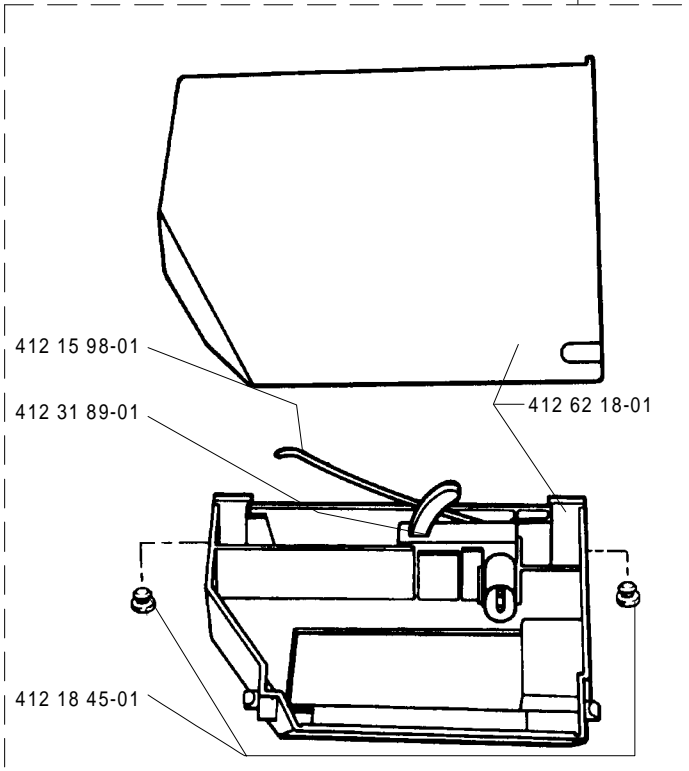


**G**

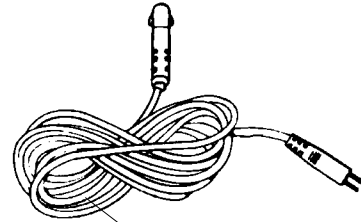


# H

412 31 41-02

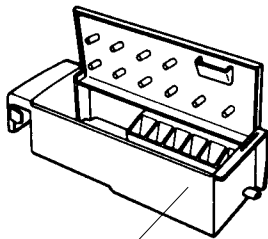


412 15 78-01  
412 15 79-03  
412 15 80-02  
412 15 81-01

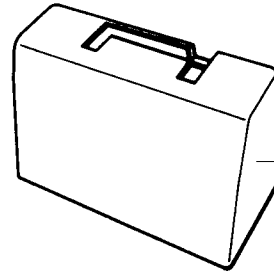


412 31 44-01  
412 31 44-02

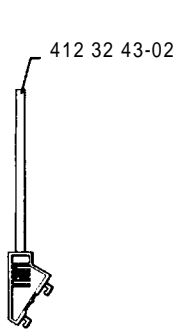
# J



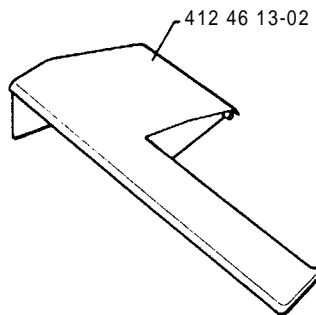
412 45 43-03



412 31 34-01 Soft cover  
412 34 42-03 Hard cover

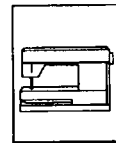


412 32 43-02



412 46 13-02

## OPERATING MANUALS



412 32 75-01



412 36 14-01

## ACCESSORIES



412 35 31-01  
Thread tension  
set



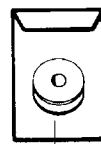
412 39 09-16  
Plastic bag  
with access.  
Anna



412 39 09-17  
Plastic bag  
with access.  
335/325/Hugin



412 39 09-18  
Plastic bag  
with access.  
315



412 56 15-45  
Plastic bobbins  
10 pac