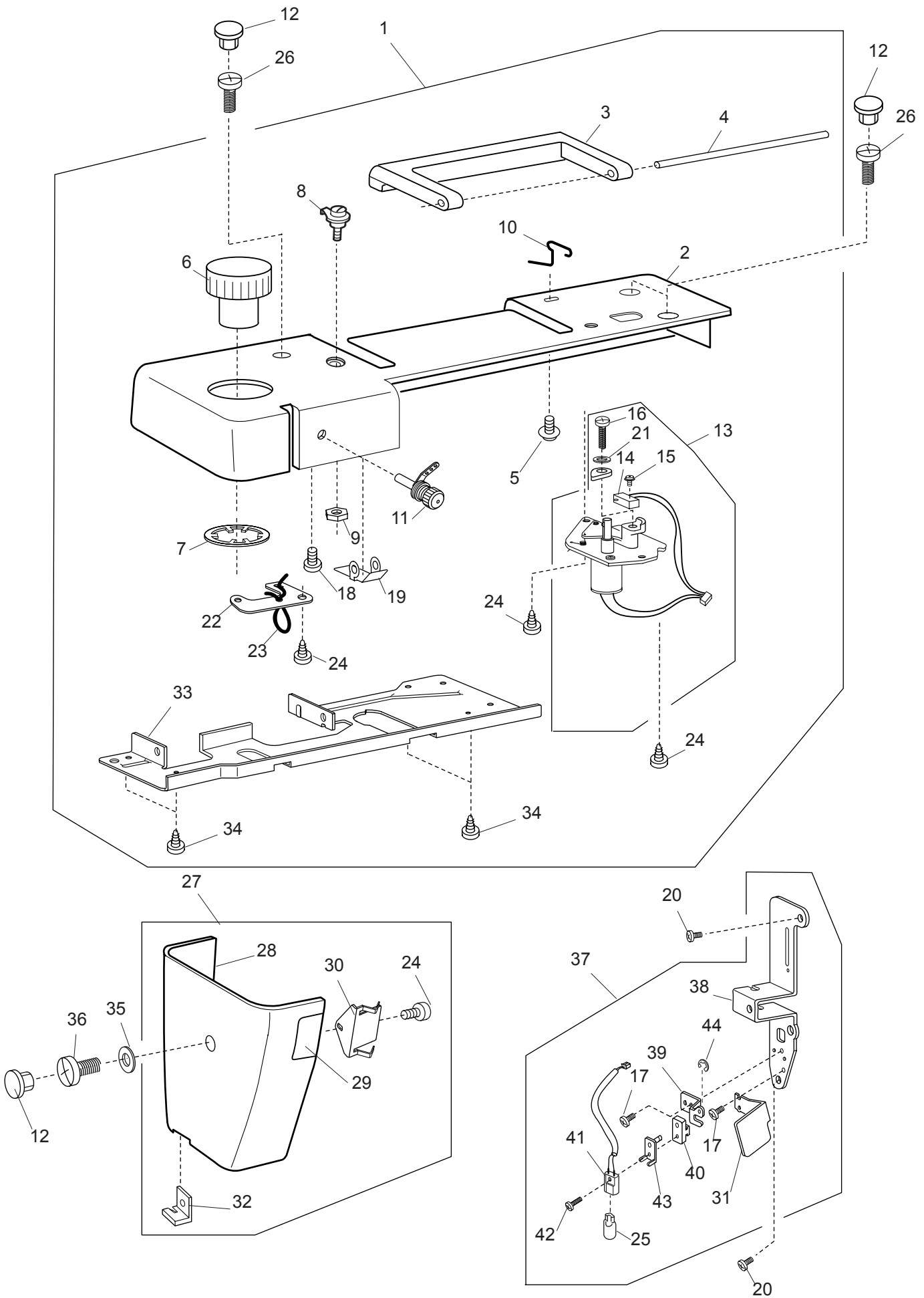


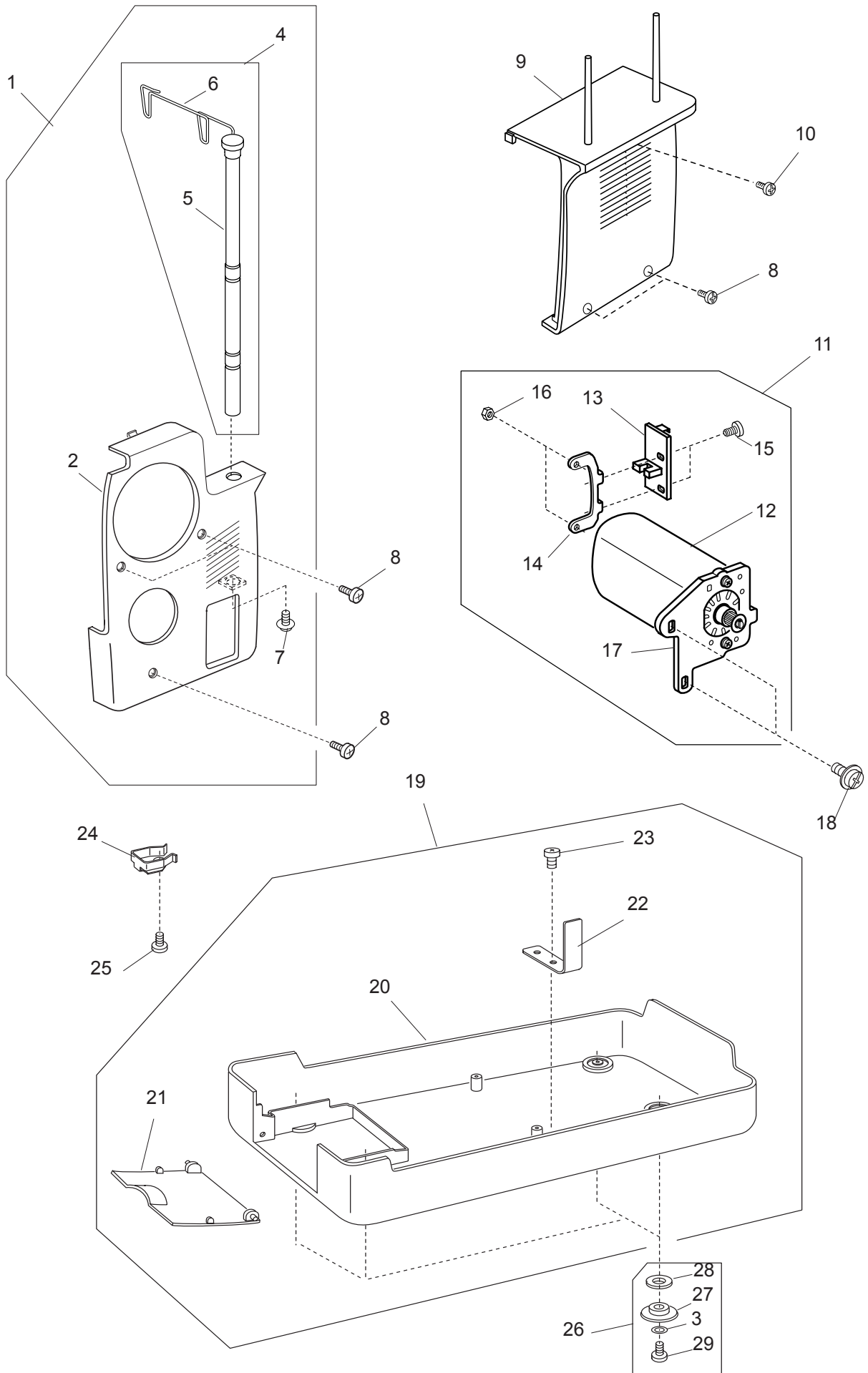
Parts List



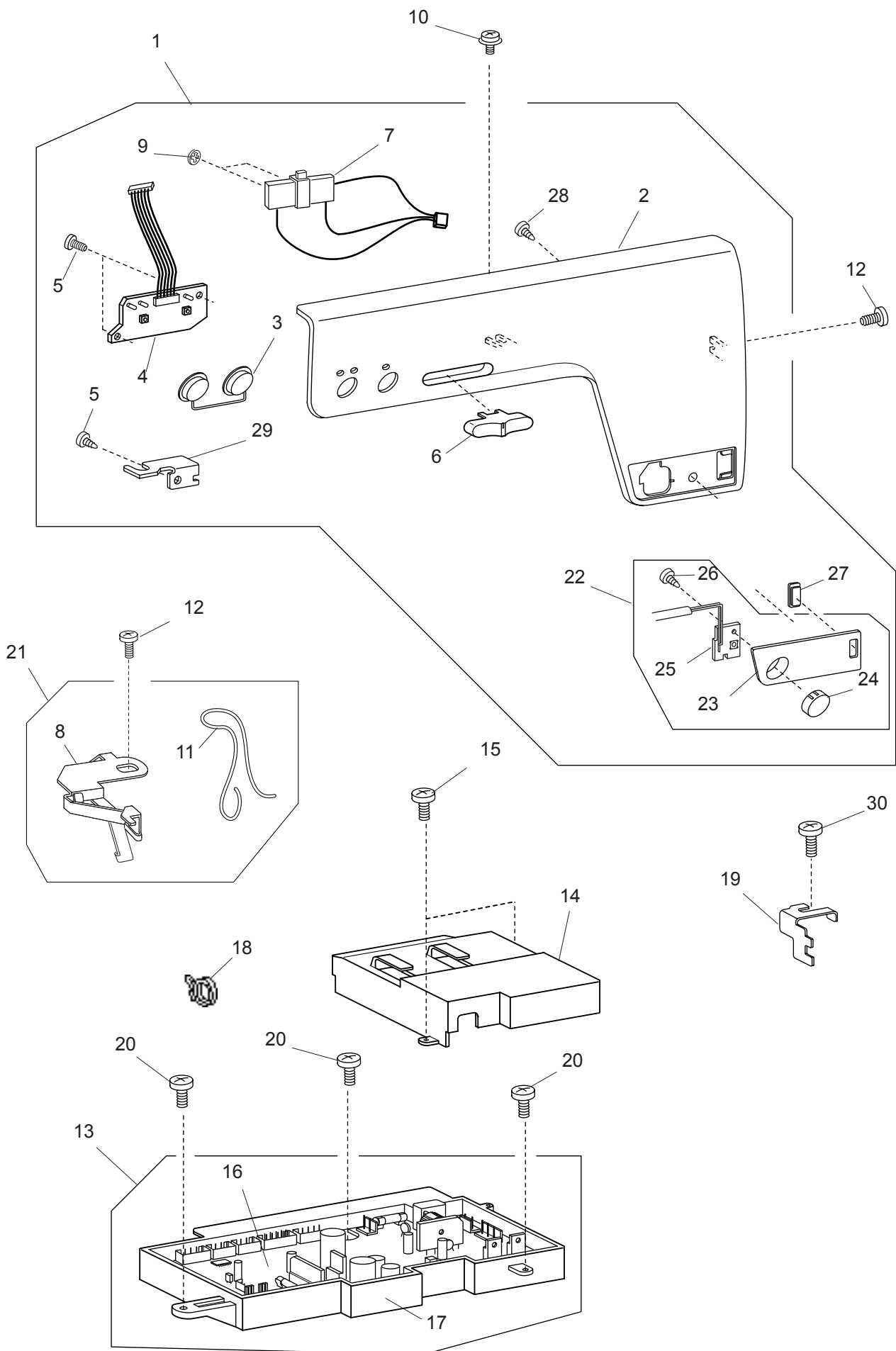
Mega Quilter



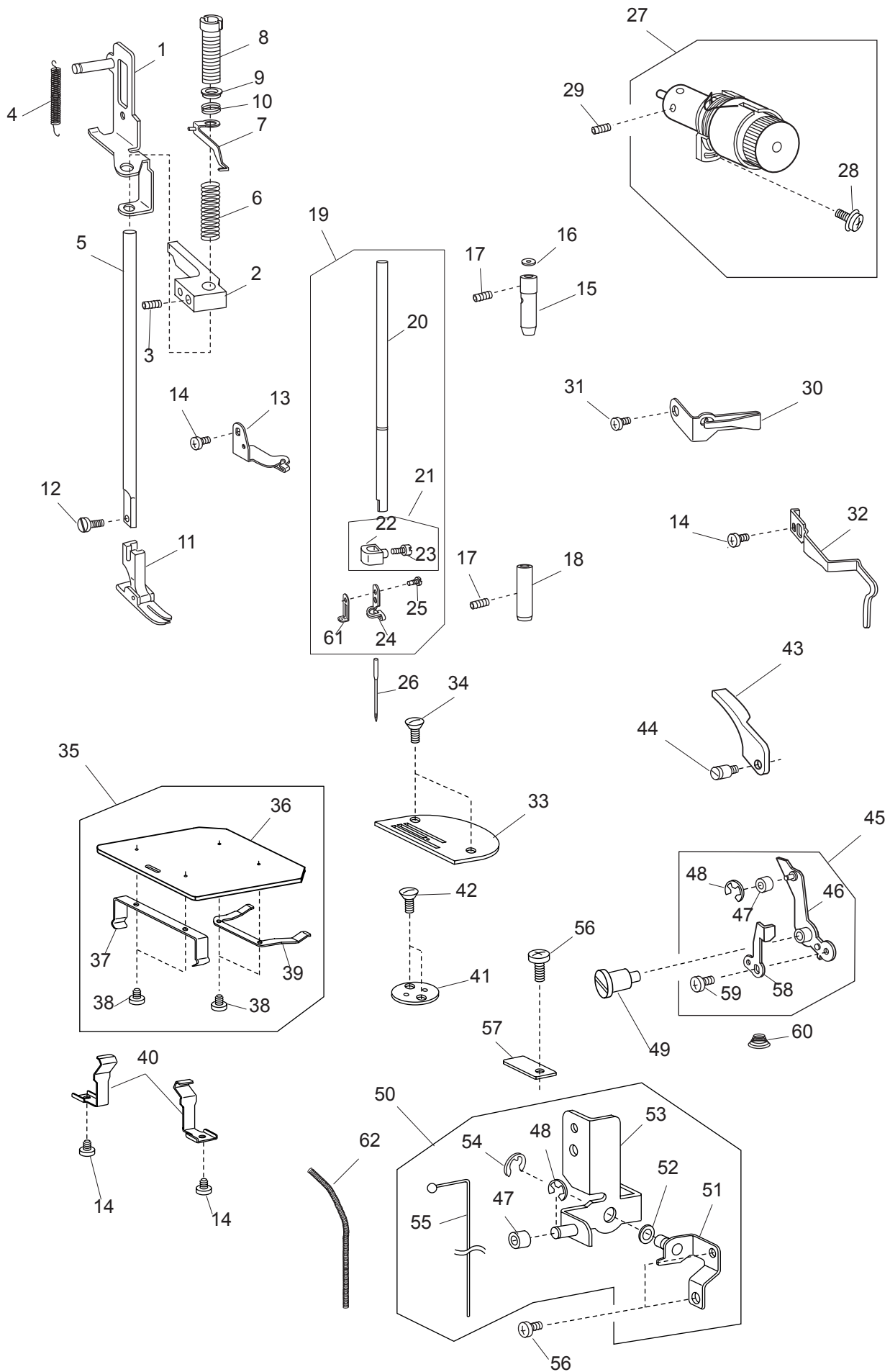
NO.	Part Number	Description
1	4160803-01	Top cover (unit)
2	4160804-01	Top cover
3	4160788-01	Handle
4	4160708-01	Pin
5	4160523-01	Setscrew 3X6
6	4160805-01	Foot pressure adjusting dial
7	4160492-01	Snap ring CS-22
8	4160750-01	Thread guide (unit)
9	4160224-01	Adjustable lock nut
10	4160789-01	Top cover thread guide (3)
11	4160806-01	Pre-tension (unit)
12	4160543-01	Cap
13	4160807-01	Bobbin winder (unit)
14	4160796-01	Micro switch
15	4160518-01	TP screw 2X8
16	4160513-01	Setscrew 4X20
17	4160208-01	Setscrew 3 X 5
18	4160193-01	Setscrew 3X8
19	4160794-01	Handle leaf
20	4160797-01	Setscrew 4x8
21	4160195-01	Washer 4
22	4160636-01	Oil wick fixing plate
23	4160560-01	Oil wick
24	4160221-01	Setscrew 3 X 8 (B)
25	4160493-01	Wedge lamp
26	4160207-01	Setscrew 4 X 10
27	4160808-01	Face plate (unit)
28	4160705-01	Face plate
29	4160809-01	Foot pressure display window
30	4160658-01	Presser bar base
31	4160635-01	Lamp shield plate
32	4160446-01	Thread cutter (unit)
33	4160707-01	Handle base plate
34	4160453-01	Setscrew 3 X 10
35	4160507-01	Washer 4
36	4160810-01	Setscrew 4 x 8
37	4160811-01	Front bracket (unit)
38	4160812-01	Front bracket
39	4160584-01	Lamp bracket
40	4160647-01	Lamp cushion
41	4160536-01	Lamp socket (unit)
42	4160508-01	Setscrew 2 X 10
43	4160652-01	Lamp set plate
44	4160487-01	Snap ring E-2.3



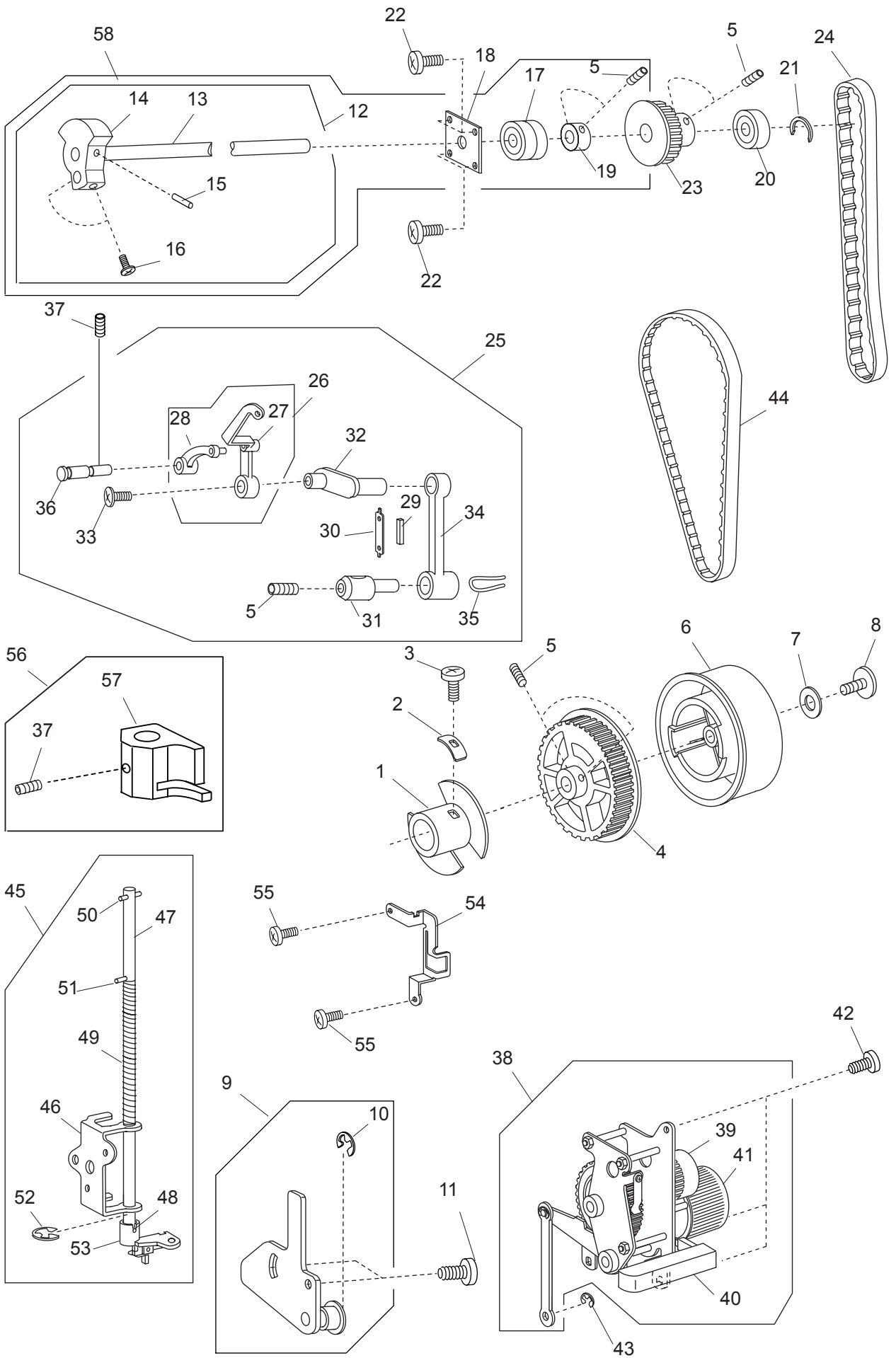
NO.	Part Number	Description
1	4160813-01	Belt cover (unit)
2	4160814-01	Belt cover
3	4160505-01	Washer 5
4	4160748-01	Thread guide (unit)
5	4160780-01	Thread guide post
6	4160568-01	Thread guide bar
7	4160519-01	TP screw 4 X 10
8	4160527-01	Setscrew 4 x 12
9	4160815-01	Motor cover
10	4160509-01	Setscrew 4 X 16
11	4160816-01	Motor (unit) (220 V)
	4160817-01	Motor Unit (120V)
12	4160818-01	Motor (220 V)
	4160532-01	Motor (120V)
13	4160721-01	Printed circuit board MS (unit)
14	4160632-01	Set plate
15	4160208-01	Setscrew 3 X 5
16	4160503-01	Nut 4-2-7
17	4160819-01	Motor bracket
18	4160220-01	TP screw 5 X 10
19	4160820-01	Base (unit)
20	4160821-01	Base
21	4160822-01	Base cover
22	4160655-01	Table latch spring (2)
23	4160528-01	Setscrew 4 X 8
24	4160654-01	Table latch spring (1)
25	4160203-01	Setscrew 4 X 6
26	4160753-01	Bed rubber foot (unit)
27	4160778-01	Bed rubber foot
28	4160781-01	Bed rubber foot plate
29	4160779-01	Bed rubber foot screw



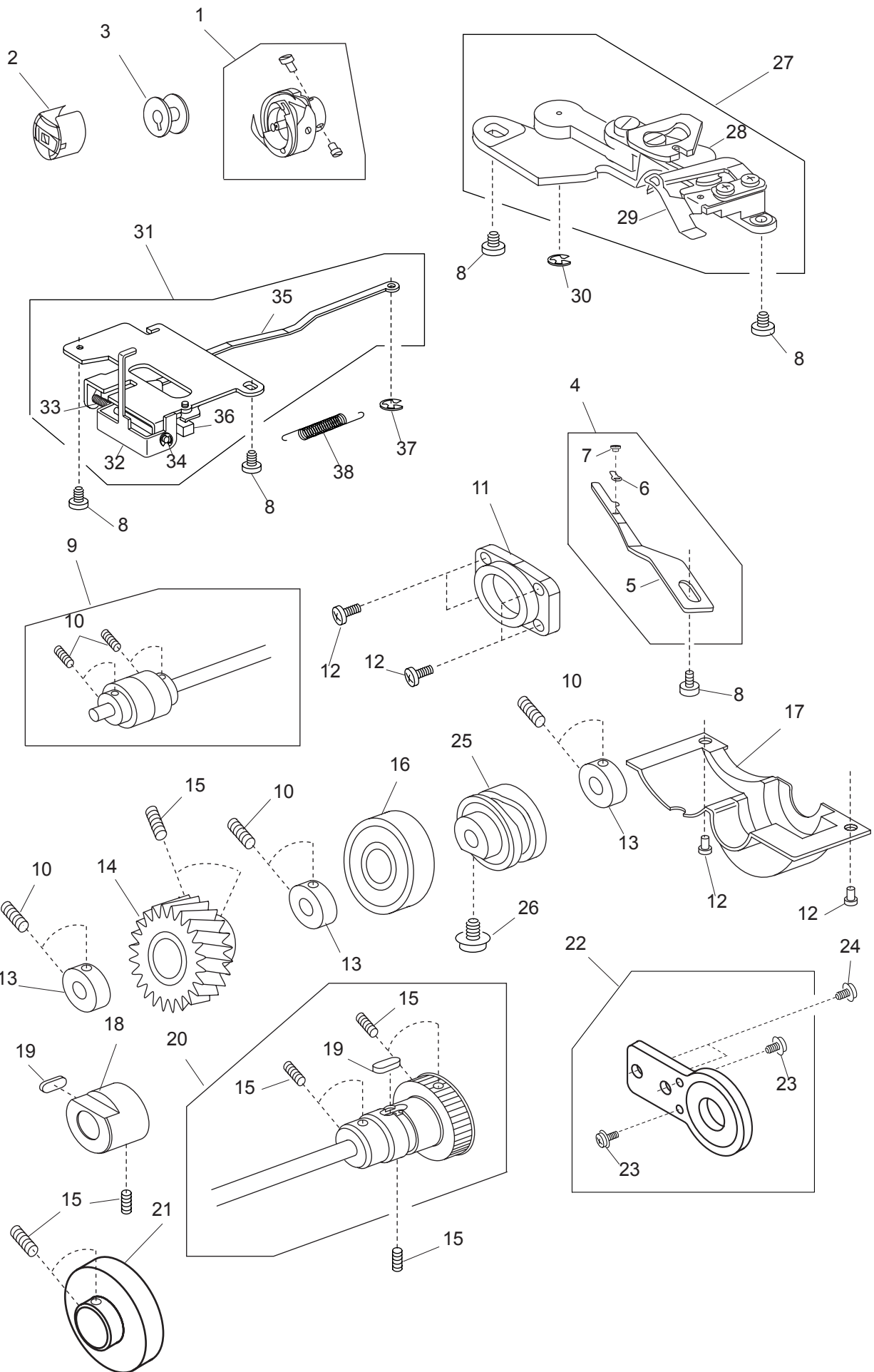
NO.	Part Number	Description
1	4160823-01	Ornamental panel (unit)
2	4160824-01	Ornamental panel
3	4160825-01	Button 1
4	4160826-01	Printed circuit board F (unit)
5	4160221-01	Setscrew 3 X 8 (B)
6	4160827-01	Speed control slider
7	4160725-01	Slide volume
8	4160637-01	Oil wick fixing plate (2)
9	4160491-01	Snap ring CS 3
10	4160517-01	TP screw 4 X 6
11	4160559-01	Oil wick
12	4160203-01	Setscrew 4 X 6
13	4160743-01	Printed circuit board A (unit) (120V) comp
	4160828-01	Printed circuit board A (unit) (230V) comp
14	4160630-01	Printed circuit board A case (upper)
15	4160453-01	Setscrew 3 X 10
16	4160729-01	Printed circuit board A (unit) (120V)
	4160829-01	Printed circuit board A (unit) (230V)
17	4160629-01	Printed circuit board A case (lower)
18	4160499-01	Cord binder
19	4160830-01	Cord guide
20	4160197-01	Setscrew 4 X 8
21	4160736-01	Oil wick fixing plate (2) (unit)
22	4160831-01	Thread cutter switch (unit)
23	4160832-01	Button frame
24	4160833-01	Thread cutter button
25	4160547-01	Printed circuit board UD (unit)
26	4160525-01	Setscrew 2.3 X 5 (B)
27	4160834-01	Stitch length display window
28	4160835-01	Setscrew 2.3 X 8 (B)
29	4160836-01	Panel fixing plate
30	4160837-01	Setscrew 4 X 6



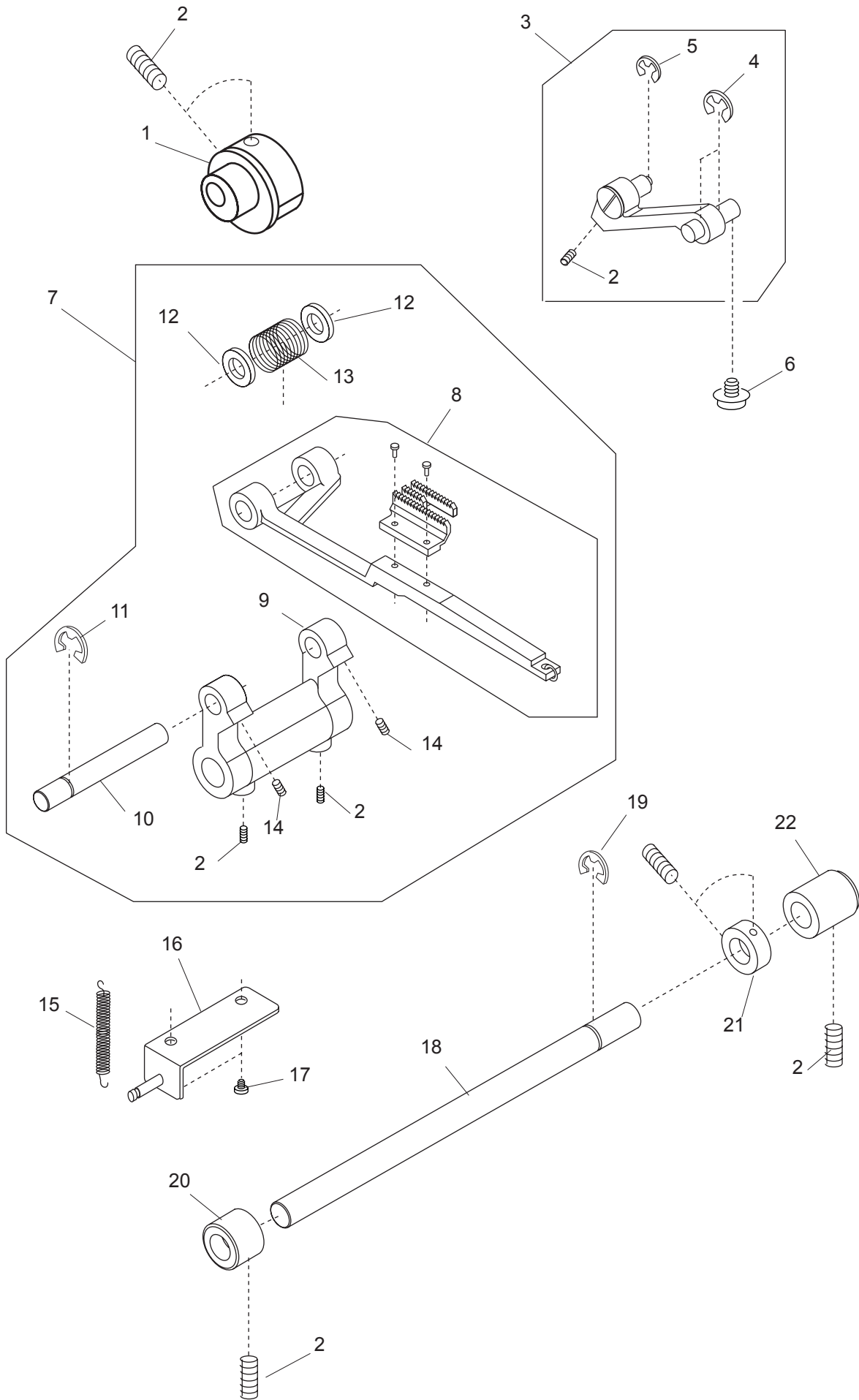
NO.	Part Number	Description
1	4160575-01	Presser bar lifter
2	4160576-01	Presser bar bracket
3	4160216-01	Hexagonal socket screw 5 X 5
4	4160791-01	Presser bar spring
5	4160577-01	Presser bar
6	4160578-01	Presser spring
7	4160579-01	Foot pressure indicator
8	4160580-01	Foot pressure adjusting screw
9	4160646-01	Spacer
10	4160645-01	Presser bar sub-spring
11	4160546-01	Presser foot (unit)
12	4160562-01	Setscrew
13	4160585-01	Arm thread guide (lower)
14	4160203-01	Setscrew 4 X 6
15	4160586-01	Needle bar bushing (upper)
16	4160587-01	Felt
17	4160215-01	Hexagonal socket screw 4 X 4
18	4160611-01	Needle bar bushing (lower)
19	4160751-01	Needle bar (unit)
20	4160641-01	Needle bar
21	4160724-01	Needle clamp (unit)
22	4160656-01	Needle clamp
23	4160549-01	Setscrew
24	4160660-01	Needle bar thread guide
25	4160661-01	Setscrew
26	5000012-96	Needle HL X 5-14
27	4160838-01	Thread tension (unit)
28	4160515-01	Setscrew TP 3 X 6
29	4160214-01	Hexagonal socket screw 4 X 6
30	4160589-01	Arm thread guide
31	4160198-01	Setscrew 4 X 6
32	4160590-01	Large thread guide
33	4160695-01	Needle plate
34	4160533-01	Needle plate set screw
35	4160734-01	Hook cover plate (unit)
36	4160571-01	Hook cover plate
37	4160572-01	Hook cover plate spring
38	4160416-01	Setscrew 2 X 2.3
39	4160573-01	Hook cover plate supporter spring
40	4160570-01	Hook cover plate retainer
41	4160574-01	Attachment mount
42	4160545-01	Setscrew
43	4160839-01	Presser foot lifter
44	4160790-01	Hinge screw
45	4160756-01	Thread tension release lever (unit)
46	4160663-01	Thread tension release lever
47	4160793-01	Roller
48	4160174-01	Snap ring E-3
49	4160665-01	Hinge screw (4)
50	4160771-01	Thread tension release base plate (unit)
51	4160714-01	Thread tension release base plate
52	4160498-01	Thrust washer FT-60
53	4160715-01	Thread tension release crank
54	4160173-01	Snap ring E-5
55	4160728-01	Wire (unit)
56	4160197-01	Setscrew 4 X 8
57	4160664-01	Plate
58	4160689-01	Thread tension release lever plate
59	4160511-01	Setscrew 3.5 X 6
60	4160548-01	Thread tension release lever spring
61	4160643-01	Needle guard
62	4160701-01	Spring



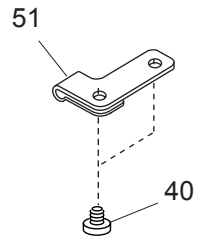
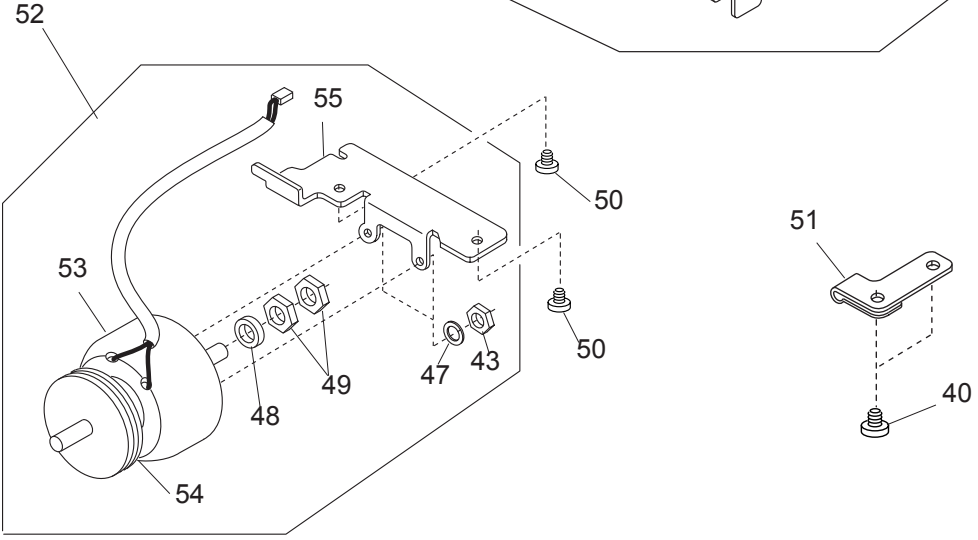
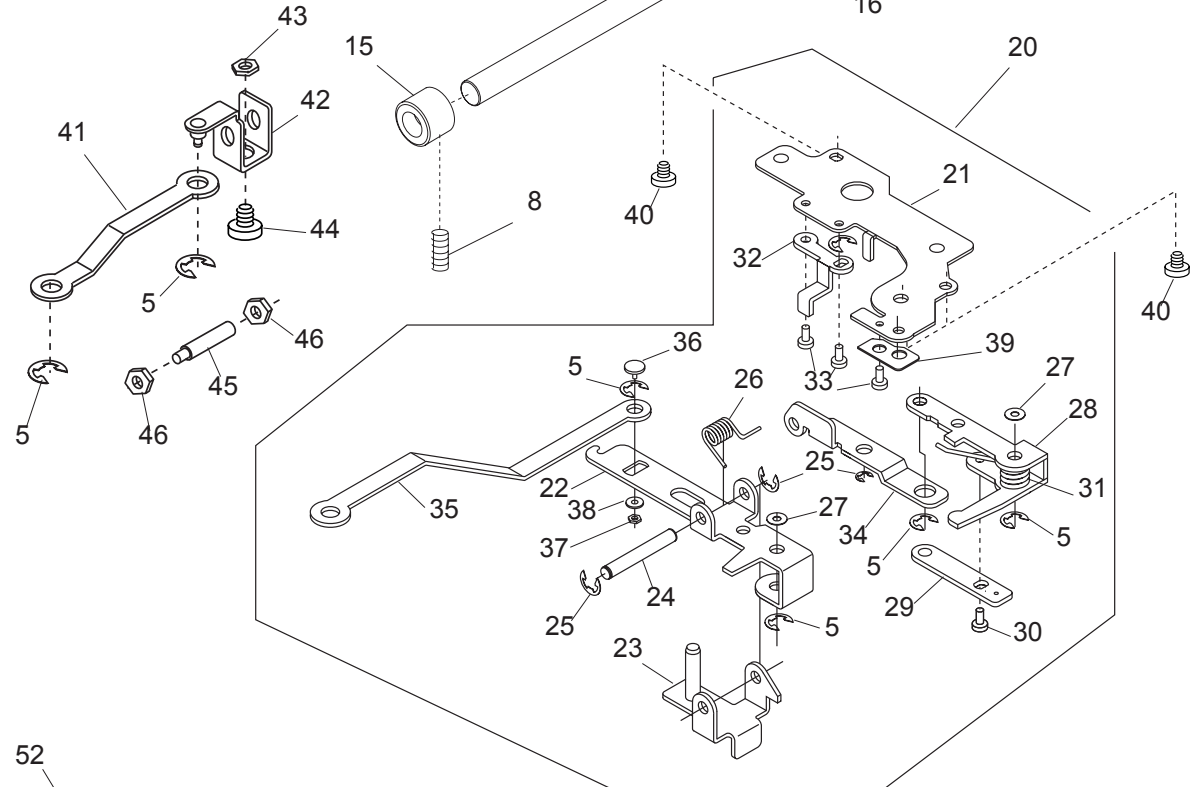
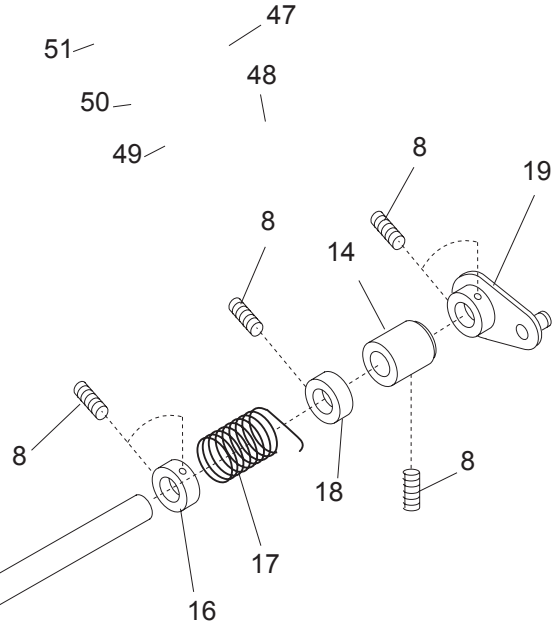
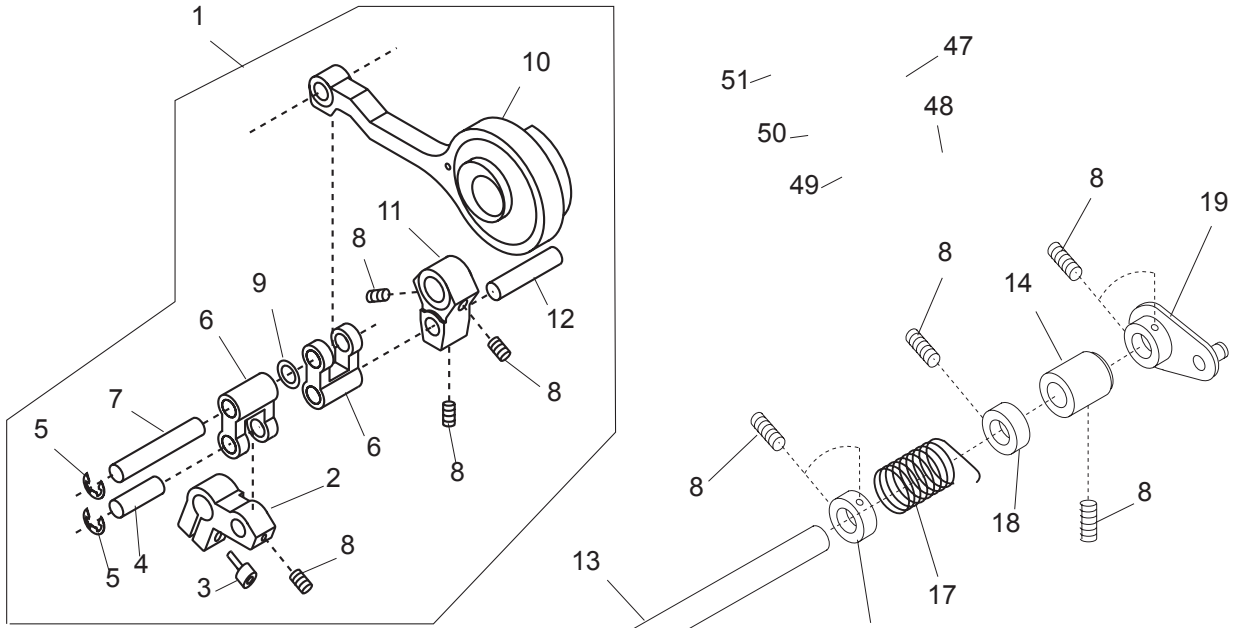
NO.	Part Number	Description
1	4160688-01	Upper shaft shield plate
2	4160783-01	Washer
3	4160207-01	Setscrew 4 X 10
4	4160657-01	Belt wheel
5	4160216-01	Hexagonal socket screw 5 X 5
6	4160840-01	Handwheel
7	4160537-01	Washer
8	4160538-01	Setscrew
9	4160739-01	Idler (unit)
10	4160176-01	Snap ring E6
11	4160220-01	TP screw 5 X 10
12	4160738-01	Upper shaft (unit)
13	4160597-01	Upper shaft
14	4160598-01	Take up lever crank
15	4160494-01	Spring pin 4 X 25
16	4160556-01	Setscrew
17	4160653-01	Ball bearing (720 IA-DF)
18	4160648-01	Washer (1)
19	4160604-01	Ring
20	4160649-01	Ball bearing (6901ZZ)
21	4160496-01	Snap ring crescent (5103-46)
22	4160203-01	Setscrew 4 X 6
23	4160600-01	Upper shaft timing gear
24	4160601-01	Timing belt
25	4160749-01	Take up lever (unit)
26	4160720-01	Take up lever (unit)
27	4160552-01	Take up lever
28	4160553-01	Take up lever supporter
29	4160312-01	Felt
30	4160313-01	Felt holder
31	4160603-01	Needle bar conn. stud
32	4160550-01	Needle bar crank pin
33	4160551-01	Setscrew
34	4160602-01	Needle bar crank rod
35	4160561-01	Oil wick
36	4160554-01	Take up lever pin
37	4160215-01	Hexagonal socket screw 4 X 4
38	4160841-01	Feed adjusting base (unit)
39	4160626-01	Indicator drum
40	4160842-01	Reverse stitch lever
41	4160843-01	Stitch length dial
42	4160197-01	Setscrew 4 X 8
43	4160173-01	Snap ring E-5
44	4160633-01	Timing belt
45	4160745-01	Needle threader (unit)
46	4160583-01	Needle threader plate
47	4160581-01	Needle threader shaft
48	4160489-01	Spring pin 2 X 6
49	4160582-01	Needle threader spring
50	4160521-01	Pin E 2 X 10 – CH
51	4160522-01	Pin G 2 X 14 – CH
52	4160174-01	Snap ring E-3
53	4160746-01	Needle threader guard plate (unit)
54	4160642-01	Needle threader guide plate
55	4160208-01	Setscrew 3 X 5
56	4160747-01	Needle threader positioning base (unit)
57	4160588-01	Needle threader positioning base
58	4160755-01	Upper shaft (unit)



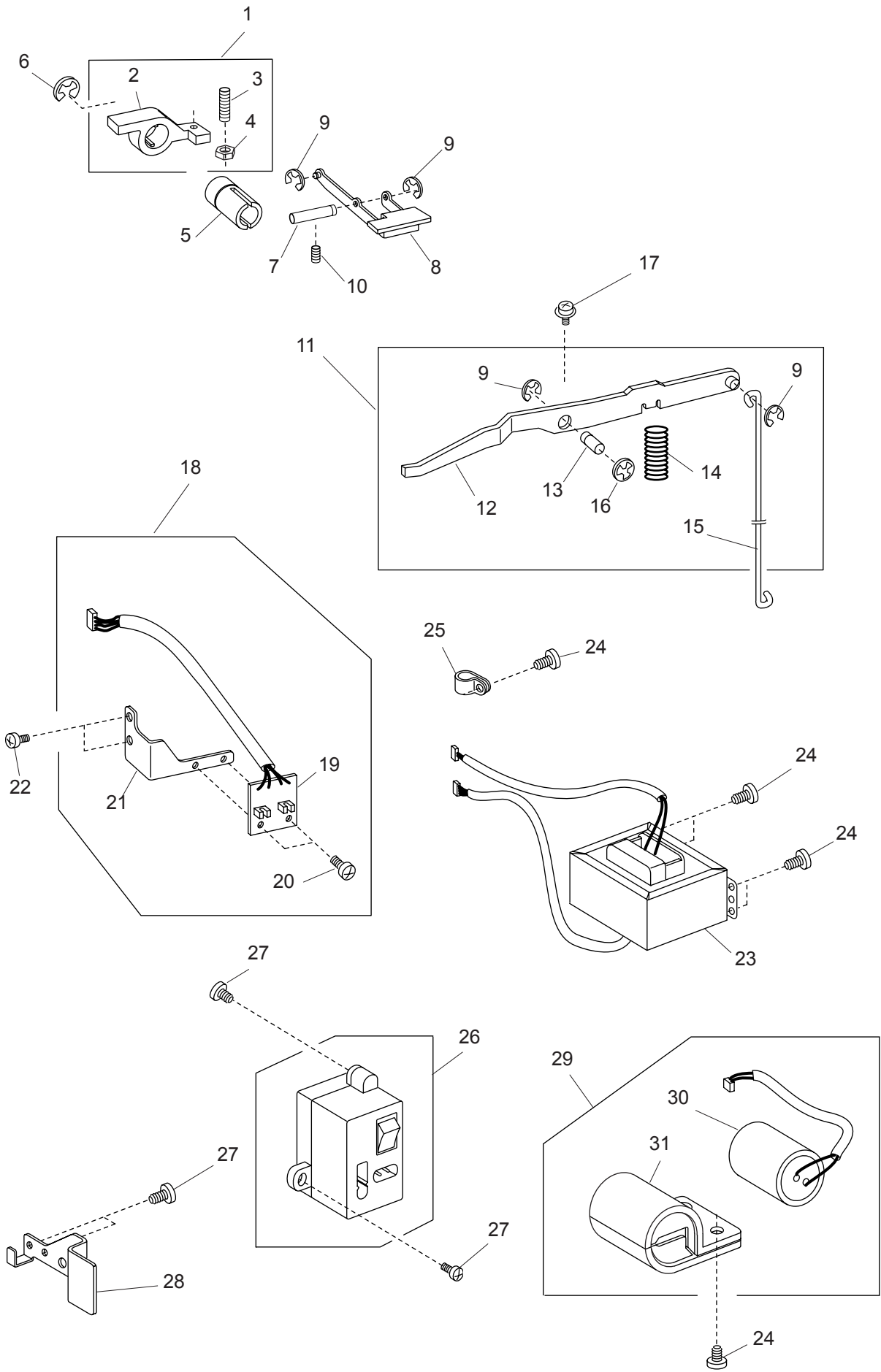
NO.	Part Number	Description
1	4160557-01	Hook race (unit)
2	4160722-01	Bobbin case (unit)
3	4160555-01	Bobbin
4	4160726-01	Hook race stopper (unit)
5	4160605-01	Hook race stopper
6	4160659-01	Hook race stopper spring
7	4160526-01	Setscrew 2 X 2.3
8	4160197-01	Setscrew 4 X 8
9	4160757-01	Hook race shaft (unit)
10	4160215-01	Hexagonal socket screw 4 X 4
11	4160650-01	Holder plate (3)
12	4160203-01	Setscrew 4 X 6
13	4160415-01	Lower shaft ring
14	4160606-01	Hook race gear
15	4160216-01	Hexagonal socket screw 5 X 5
16	4160651-01	Ball bearing (698Z)
17	4160607-01	Gear cover
18	4160608-01	Lower shaft bushing
19	4160599-01	Felt
20	4160754-01	Lower shaft (unit)
21	4160609-01	Lower shaft gear
22	4160737-01	Lower shaft supporter (unit)
23	4160517-01	TP screw 4 X 6
24	4160516-01	TP screw 4 X 12
25	4160669-01	Thread cutter cam
26	4160514-01	TP screw 3 X 14
27	4160760-01	Auto-thread cutter unit
28	4160685-01	Thread cutter blade
29	4160686-01	Thread guide plate
30	4160173-01	Snap ring E-5
31	4160761-01	Thread drawing lever (unit)
32	4160687-01	Thread drawing lever
33	4160694-01	Spring
34	4160174-01	Snap ring E-3
35	4160679-01	Link
36	4160684-01	Cushion 3
37	4160175-01	Snap ring E-4
38	4160692-01	Spring



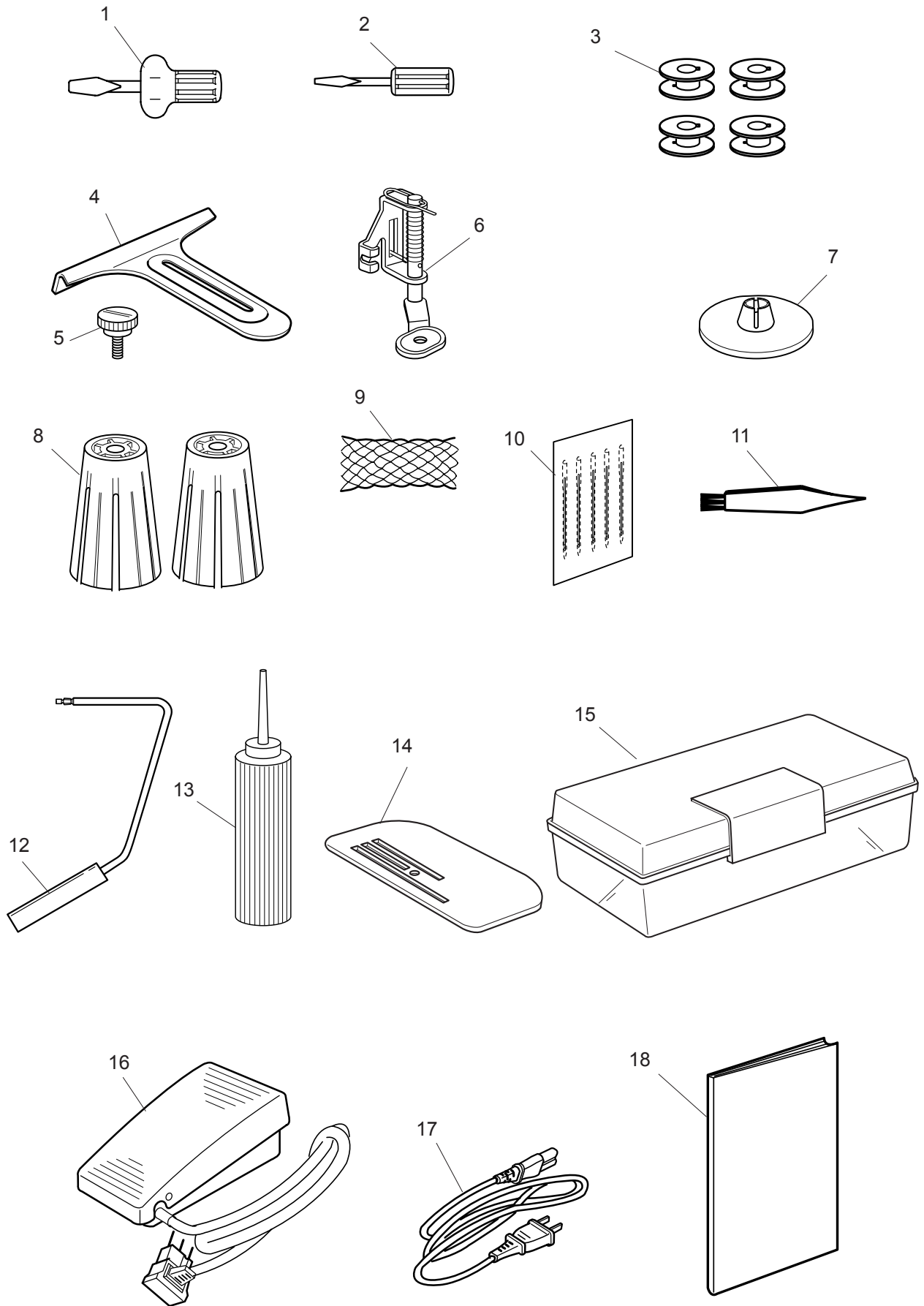
NO.	Part Number	Description
1	4160610-01	Feed lifting cam
2	4160216-01	Hexagonal socket screw 5 X 5
3	4160741-01	Feed link (unit)
4	4160488-01	Snap ring E-7
5	4160175-01	Snap ring E-4
6	4160516-01	TP screw 4 X 12
7	4160740-01	Feed base (unit) (1)
8	4160742-01	Feed base (unit) (2)
9	4160612-01	Feed rock arm
10	4160613-01	Feed rock arm pin
11	4160173-01	Snap ring E-5
12	4160785-01	Felt (2)
13	4160662-01	Felt holder sping
14	4160215-01	Hexagonal socket screw 4 X 4
15	4160627-01	Feed base spring
16	4160628-01	Spring attach plate
17	4160203-01	Setscrew 4 X 6
18	4160614-01	Feed rock shaft
19	4160176-01	Snap ring E-8
20	4160615-01	Bushing (Front)
21	4160540-01	Ring
22	4160616-01	Bushing (Rear)



NO.	Part Number	Description
1	4160764-01	Feed regulator (unit)
2	4160617-01	Feed adjusting arm
3	4160531-01	Bolt 5 X 16
4	4160618-01	Pin
5	4160173-01	Snap ring E-5
6	4160619-01	Feed link
7	4160620-01	Pin
8	4160216-01	Hexagonal socket screw 5 X 5
9	4160638-01	Washer
10	4160765-01	Feed cam (unit)
11	4160621-01	Feed adjusting arm
12	4160639-01	Pin
13	4160622-01	Feed adjusting shaft
14	4160616-01	Bushing (front)
15	4160615-01	Bushing (rear)
16	4160540-01	Lower shaft ring
17	4160623-01	Feed regulator spring
18	4160541-01	Lower shaft ring
19	4160624-01	Feed adjusting arm
20	4160758-01	Thread cutter driving base (unit)
21	4160670-01	Driving arm base plate
22	4160672-01	Driving arm
23	4160671-01	Link
24	4160681-01	Driving arm pin
25	4160175-01	Snap ring E-4
26	4160690-01	Cam spring
27	4160497-01	Thrust washer FT-70
28	4160673-01	Driving lever
29	4160680-01	Thread drawing arm
30	4160203-01	Setscrew 4 X 6
31	4160691-01	Spring
32	4160696-01	Guard plate
33	4160511-01	Setscrew 3.5 X 6
34	4160674-01	Thread tension release arm
35	4160675-01	Thread cutter link
36	4160676-01	Hinge screw (3)
37	4160500-01	Nut 4-1-7
38	4160506-01	Washer 4
39	4160700-01	Limiter plate
40	4160197-01	Setscrew 4 X 8
41	4160677-01	Link
42	4160678-01	Coupling
43	4160501-01	Nut 5-1-8
44	4160510-01	Setscrew 5 X 10
45	4160668-01	Wire joint
46	4160502-01	Nut 5-3-8
47	4160505-01	Washer 5
48	4160683-01	Cushion 2
49	4160504-01	Nut 8-3-13
50	4160220-01	TP screw 5 X 10
51	4160666-01	Plate (2)



NO.	Part Number	Description
1	4160752-01	Knee lifter lever (1) (unit)
2	4160591-01	Knee lifter lever (1)
3	4160530-01	Hexagonal socket screw 5 X 20 (Ball point)
4	4160502-01	Nut 5-3-8
5	4160592-01	Knee lifter shaft
6	4160495-01	Snap ring E-10
7	4160593-01	Shaft
8	4160594-01	Knee lifter lever (2)
9	4160173-01	Snap ring E5
10	4160215-01	Hexagonal socket screw 4 X 4
11	4160772-01	Knee lifter lever (3) (unit)
12	4160795-01	Knee lifter lever
13	4160595-01	Knee lifter lever shaft
14	4160716-01	Knee lifter lever spring
15	4160596-01	Presser foot lifter rod
16	4160490-01	Snap ring CS-6
17	4160519-01	TP Screw 4 X 10
18	4160744-01	Upper shaft sensor (unit)
19	4160787-01	Printed circuit board P (unit)
20	4160208-01	Setscrew 3 X 5
21	4160631-01	Sensor fixing plate
22	4160193-01	Setscrew 3 X 8
23	4160730-01	Transformer (unit) 120V
	4160844-01	Transformer (unit) 220V
24	4160197-01	Setscrew 4 X 8
25	4160529-01	Nilon clip
26	4160763-01	Machine socket (unit) 120V
	4160845-01	Machine socket (unit) 220V
27	4160207-01	Setscrew 4 X 10
28	4160667-01	Cord binder (1)
29	4160762-01	Capacitor (unit)
30	4160731-01	Capacitor (unit)
31	4160693-01	Capacitor case



NO.	Part Number	Description
1	4160422-01	Large screwdriver
2	4160542-01	Small screwdriver
3	4160555-01	Bobbin
4	4160534-01	Cloth guide
5	4160786-01	Thumb screw
6	4160717-01	Darning foot
7	4160784-01	Spool cap
8	4160781-01	Spool holder
9	4160539-01	Net
10	5000013-96	Assorted needle set
11	4160409-01	Lint brush
12	4160797-01	Knee lifter (unit)
13	4160558-01	Oil
14	4160640-01	Darning plate
15	4160535-01	Accessory box
16	4160798-01	Foot control
17	412 15 79-03	Power supply cord (120V)
	412 15 78-01	Power supply cord (220 V)
	412 15 79-02	Power supply cord -Japan
	412 15 80-02	Power supply cord - England
	412 15 81-01	Power supply cord - Australia
18	4129368-26	Instruction book - eng
	Not Illustrated	
	416 10 90-01	Extension Table(unit)

